



US00D426361S

# United States Patent [19] Young

[11] **Patent Number: Des. 426,361**  
[45] **Date of Patent: \*\* Jun. 6, 2000**

## [54] **CLEANING BUCKET**

## DESCRIPTION

[76] Inventor: **Ronald Scot Young**, 710 S. 9th St., St. Joseph, Mo. 64501

FIG. 1 is a top perspective view of a cleaning bucket according to the present invention;

[\*\*] Term: **14 Years**

FIG. 2 is a side elevation view of one side of the cleaning bucket shown in FIG. 1, the other side being a mirror image thereof;

[21] Appl. No.: **29/065,431**

FIG. 3 is a top plan view of the cleaning bucket shown in FIG. 1;

[22] Filed: **Oct. 11, 1996**

FIG. 4 is a rear elevation view of the cleaning bucket shown in FIG. 1;

[51] **LOC (7) Cl.** ..... **07-07**

[52] **U.S. Cl.** ..... **D32/53**

[58] **Field of Search** ..... D32/53, 54; 15/260, 15/262, 264; 220/699, 702, 904, 694

FIG. 5 is a front elevation view of the cleaning bucket shown in FIG. 1;

## [56] **References Cited**

FIG. 6 is a top perspective view of another embodiment of a cleaning bucket according to the present invention;

### U.S. PATENT DOCUMENTS

FIG. 7 is a side elevation view of one side of the cleaning bucket shown in FIG. 6, the other side being a mirror image thereof;

D. 374,321	10/1996	Mandell et al.	.....	D32/53
3,747,154	7/1973	O'Neil	.....	15/264
4,713,859	12/1987	Smith, Jr.	.....	15/264
5,333,353	8/1994	Taylor	.....	15/264

FIG. 8 is a top plan view of the cleaning bucket shown in FIG. 6;

*Primary Examiner*—Alan P. Douglas  
*Assistant Examiner*—Cynthia E. Ramirez  
*Attorney, Agent, or Firm*—Wm Bruce Day

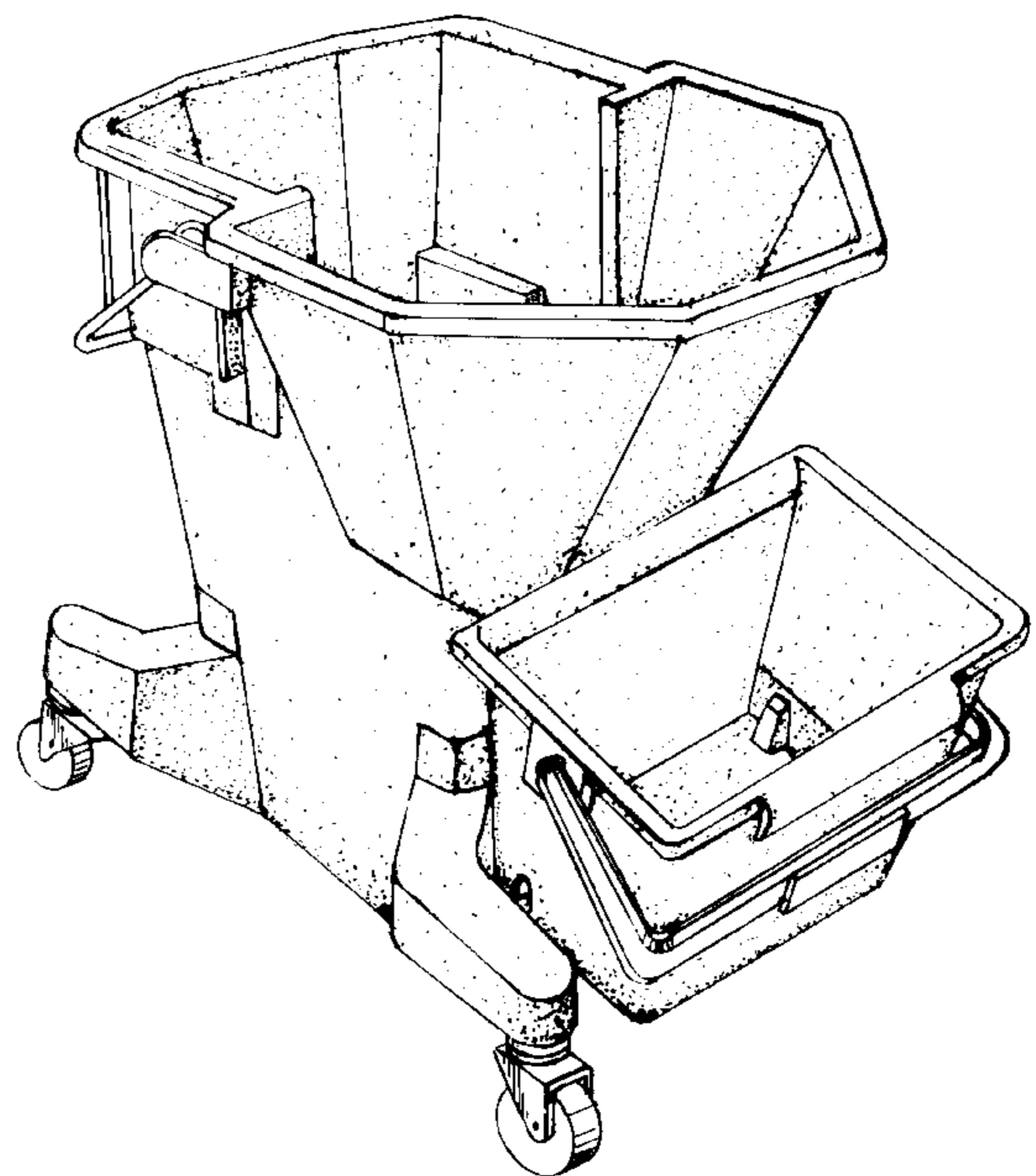
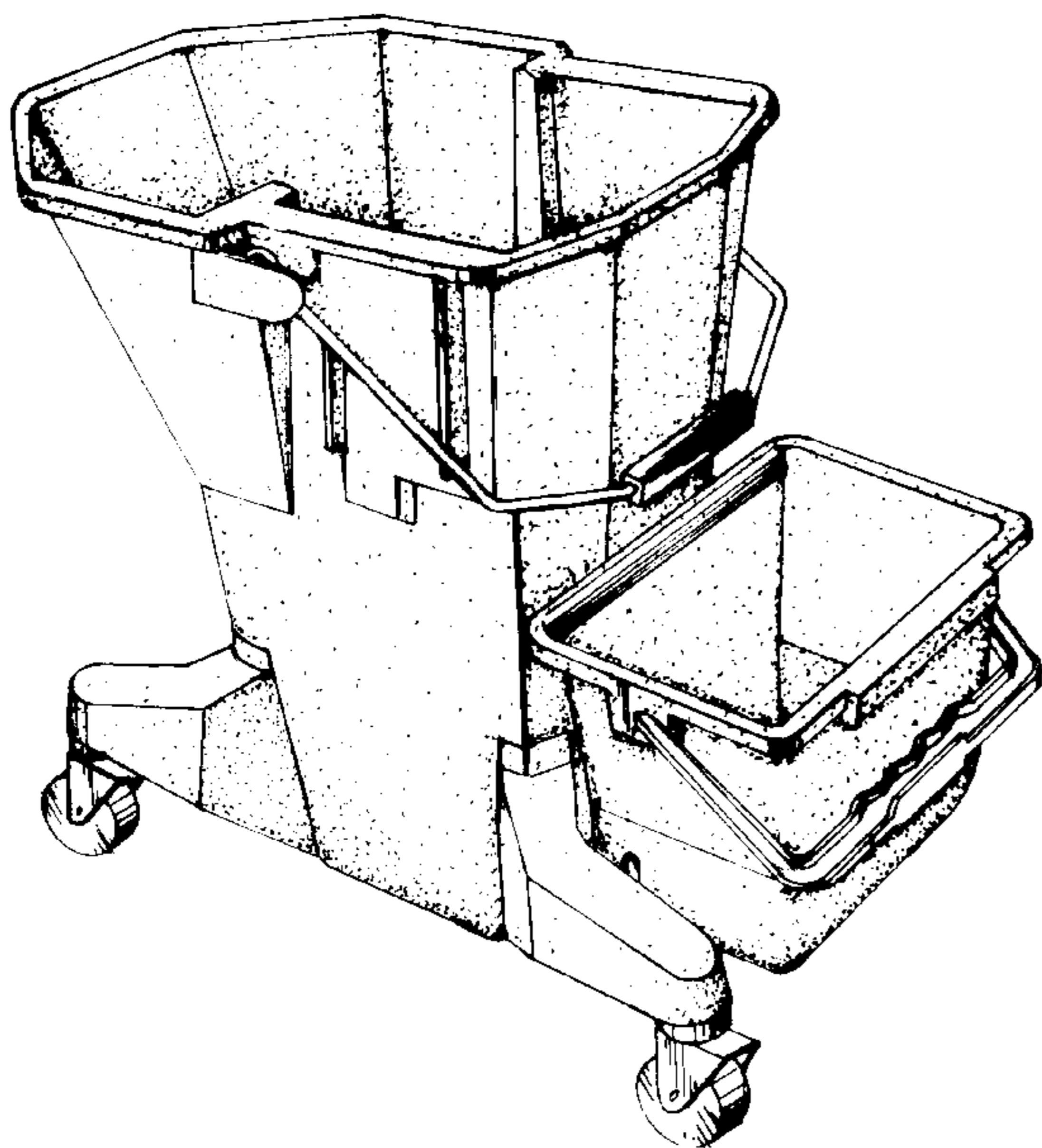
FIG. 9 is a rear elevation view of the cleaning bucket shown in FIG. 6; and,

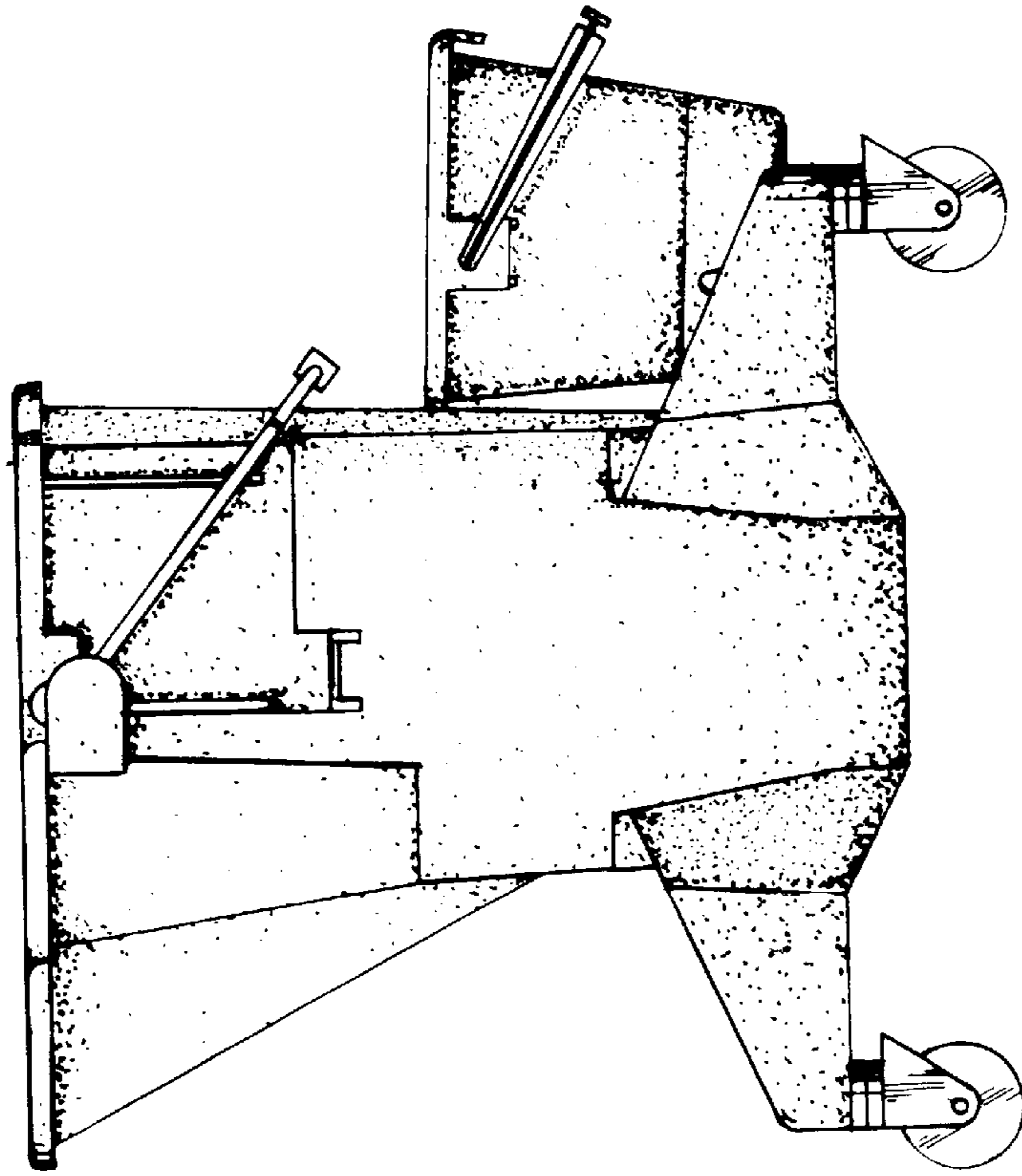
## [57] **CLAIM**

FIG. 10 is a front elevation view of the cleaning bucket shown in FIG. 6.

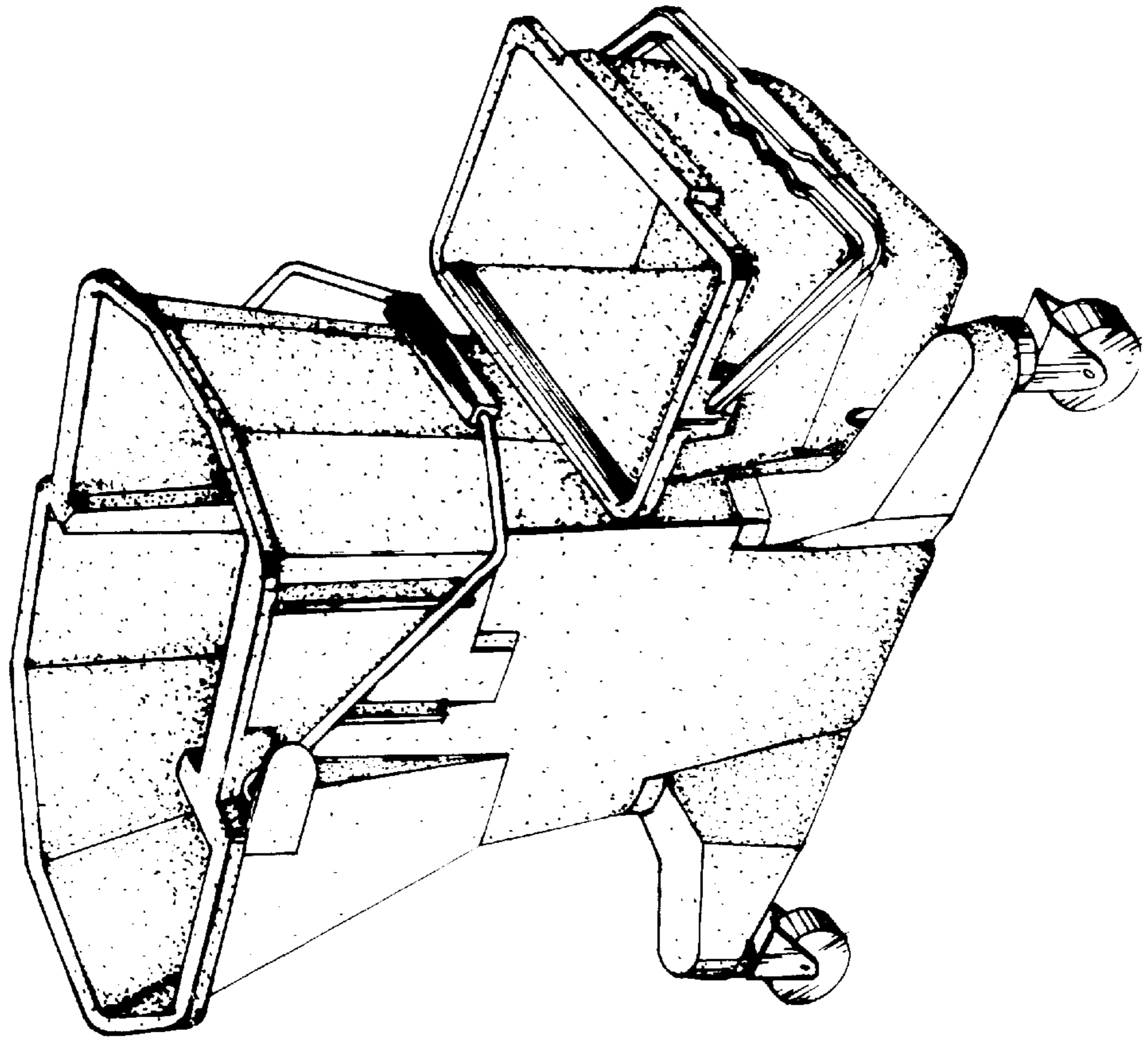
The ornamental design for a cleaning bucket, as shown and described.

**1 Claim, 4 Drawing Sheets**



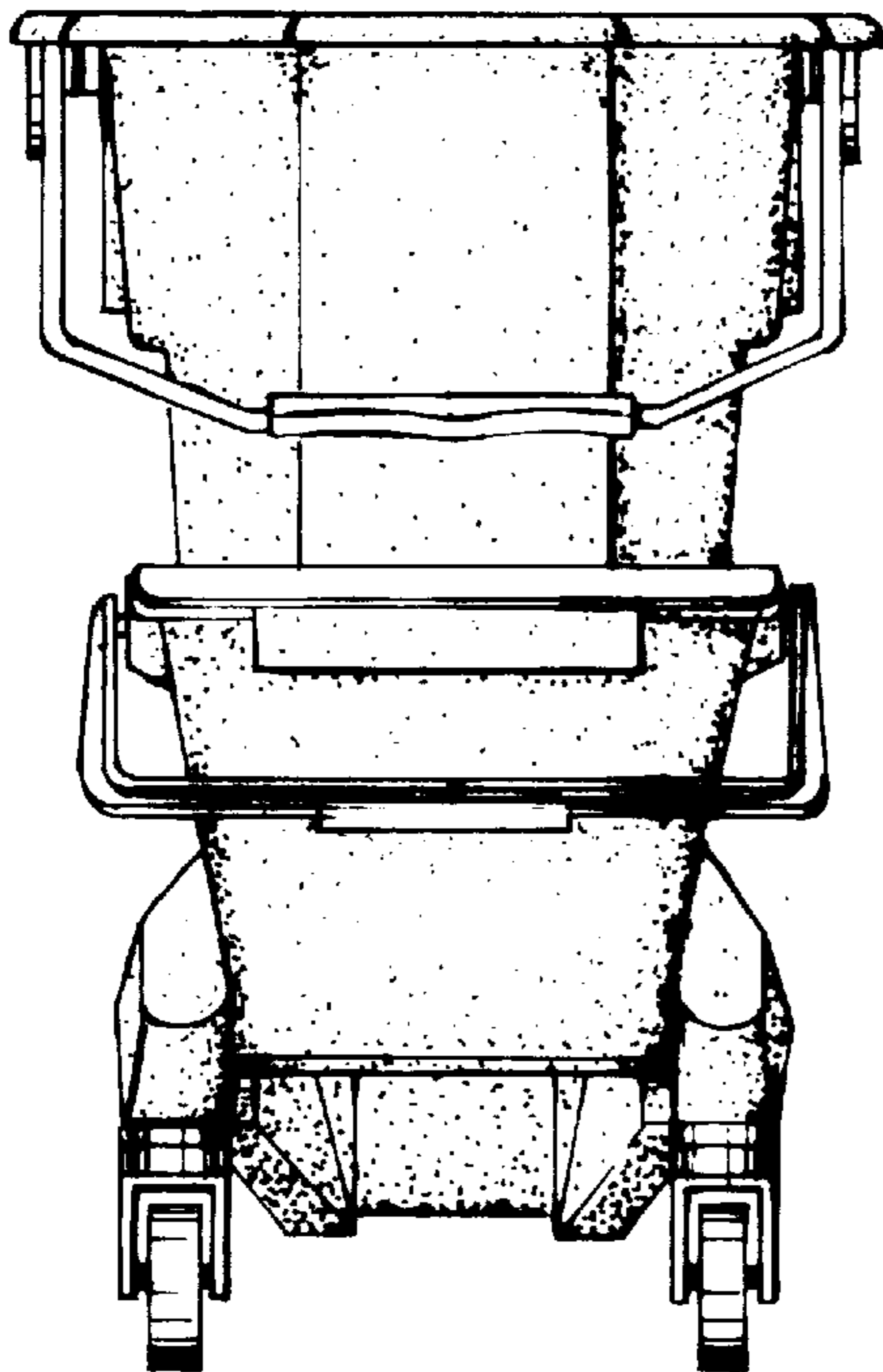
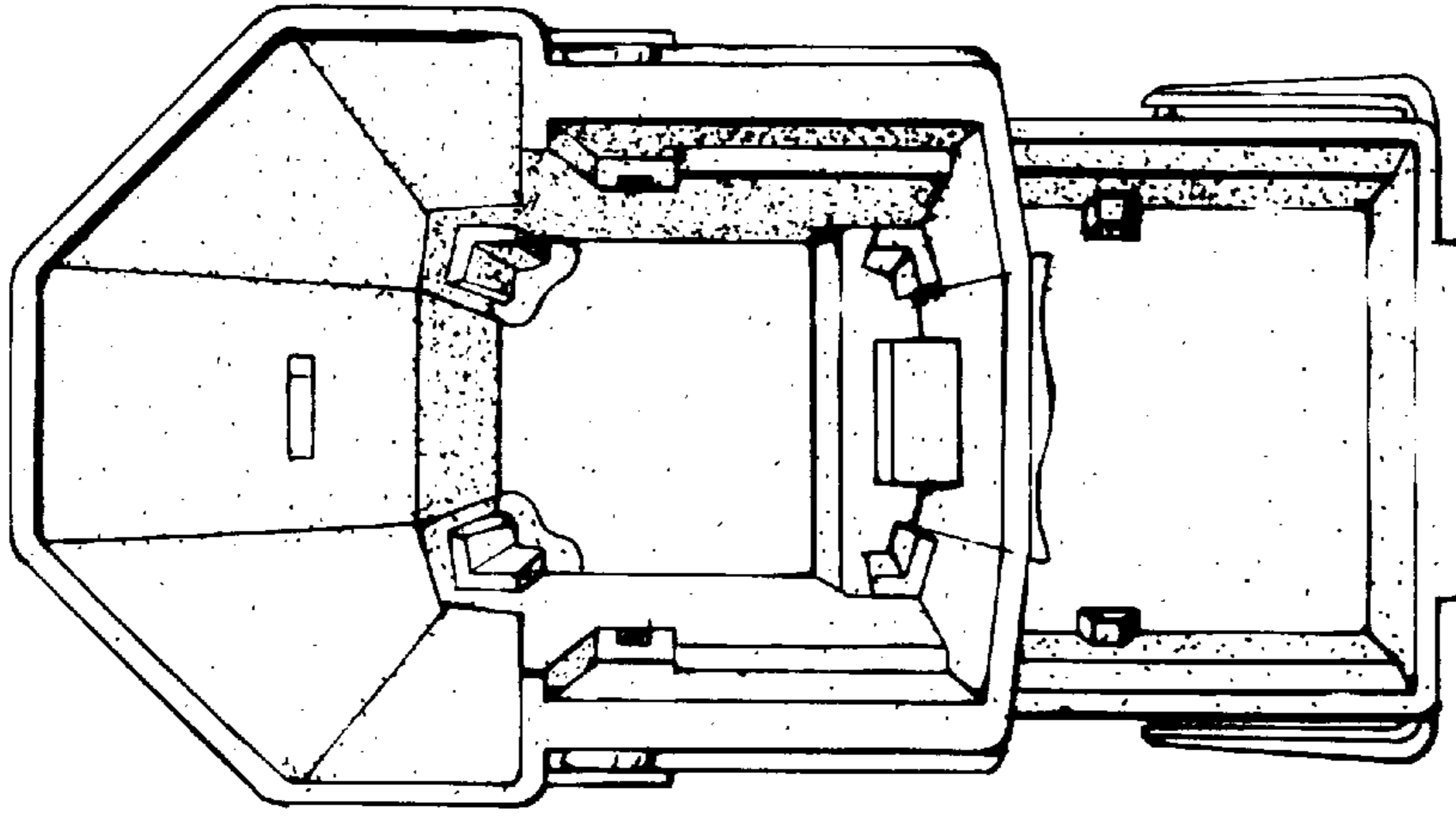


*Fig. 1.*



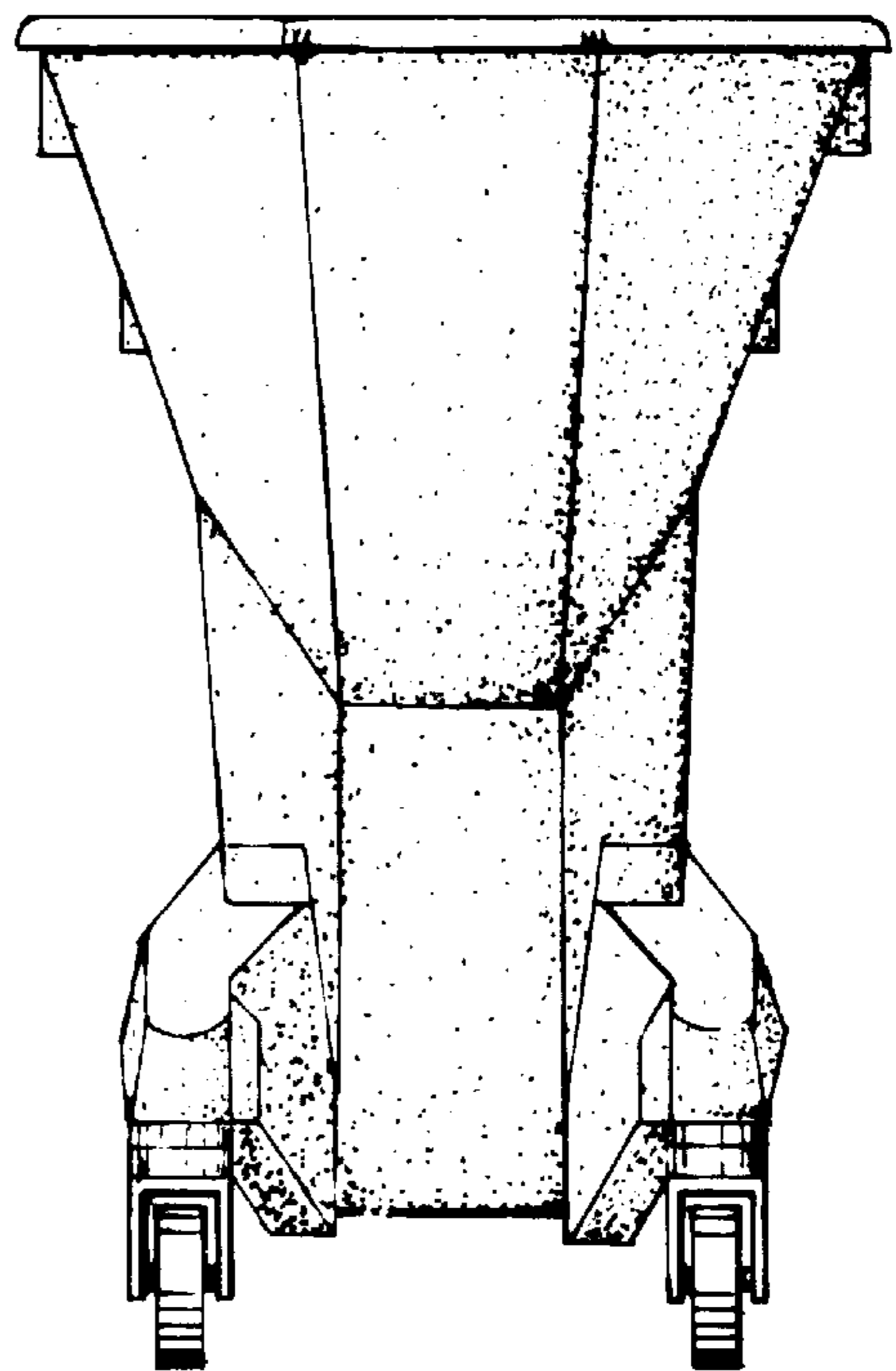
*Fig. 2.*

**Fig. 3.**

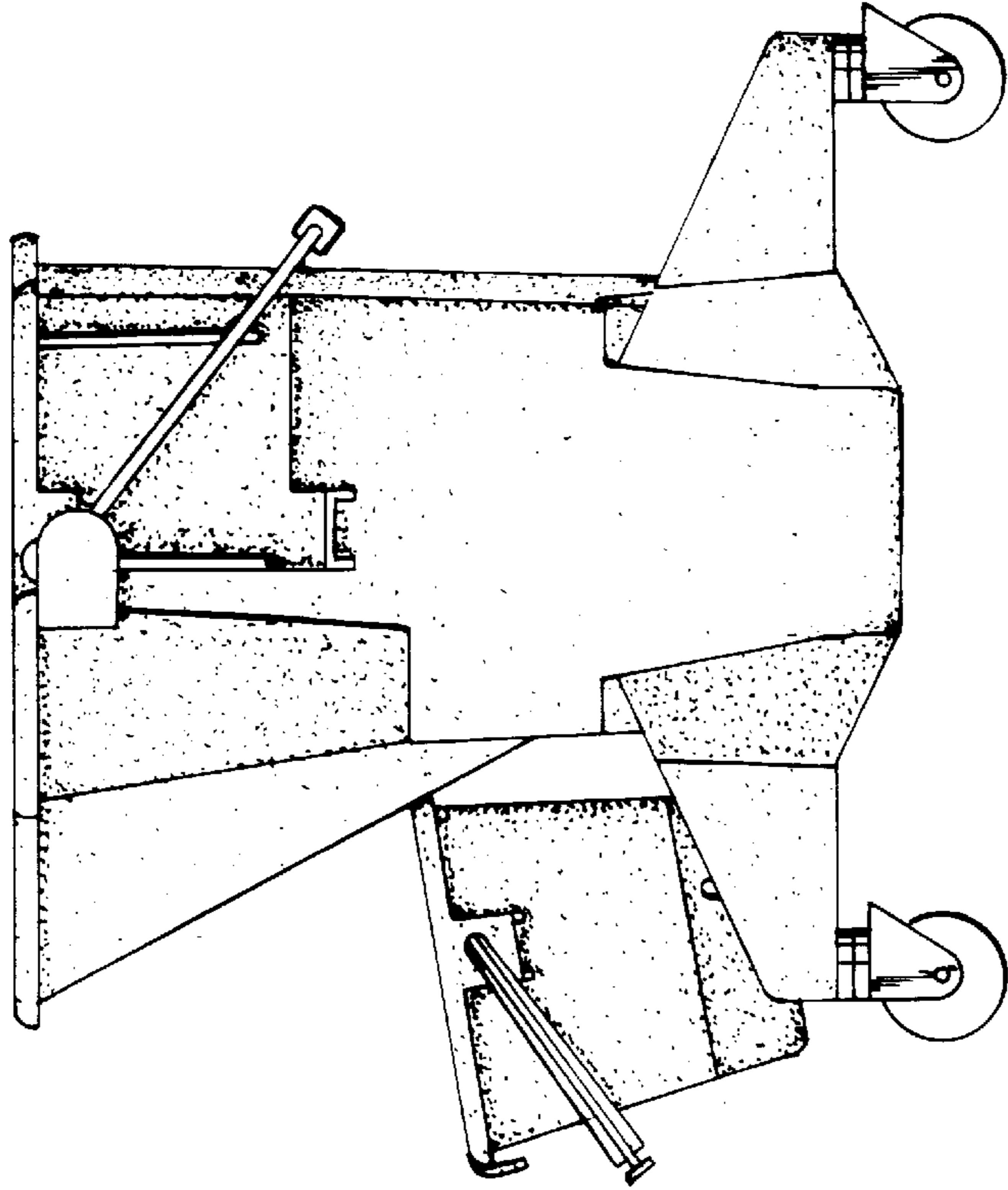


**Fig. 4.**

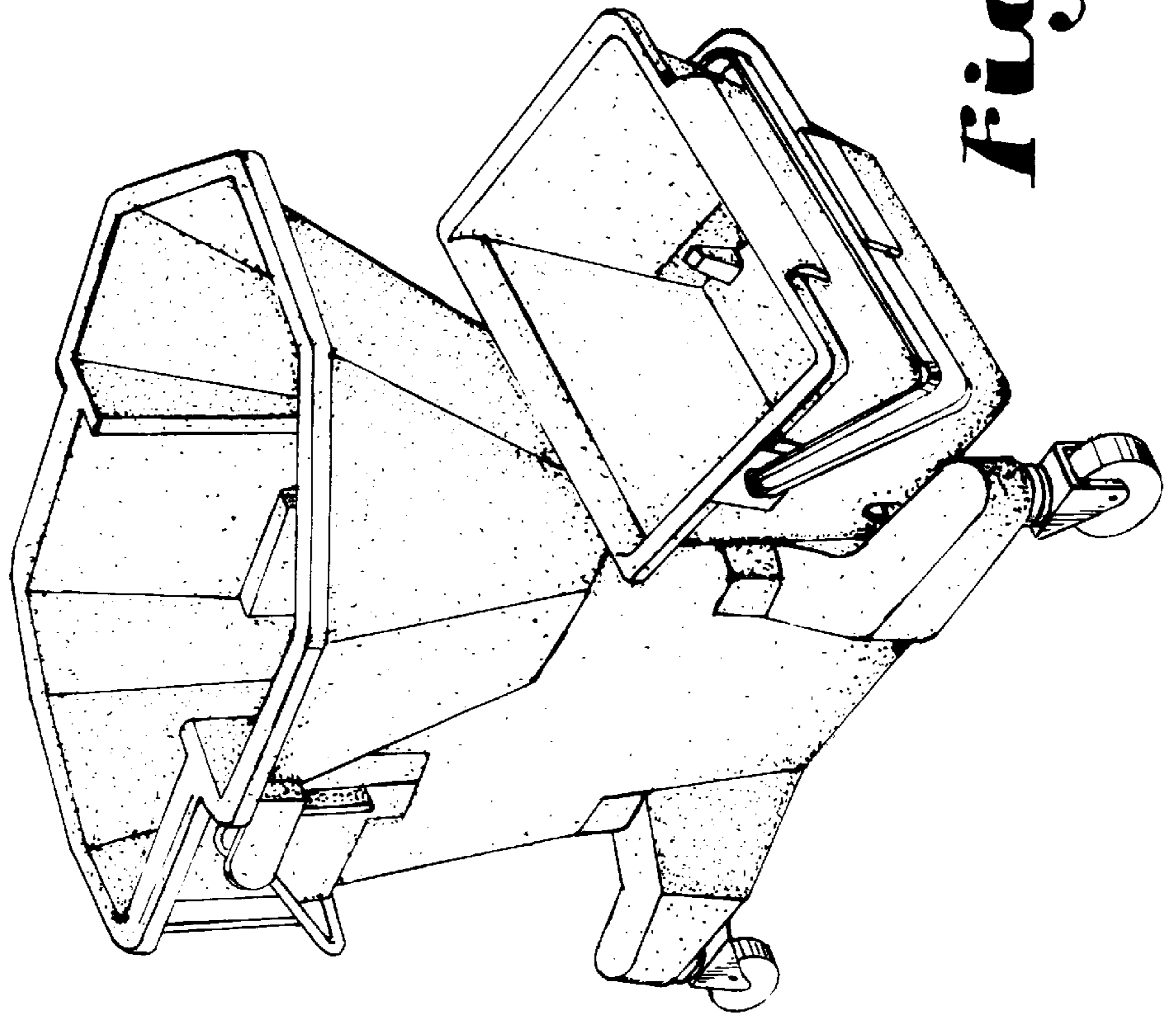
**Fig. 5.**





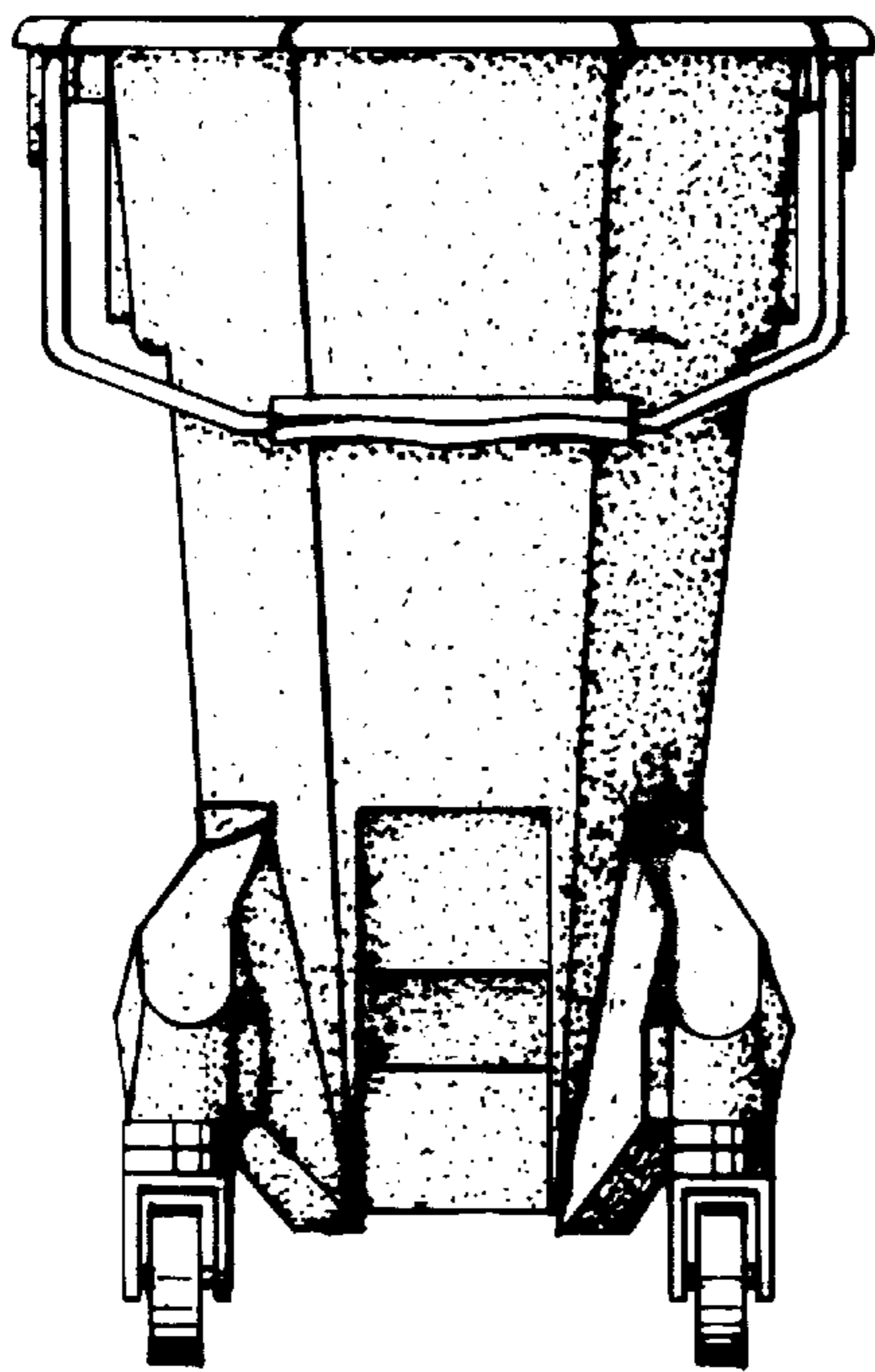
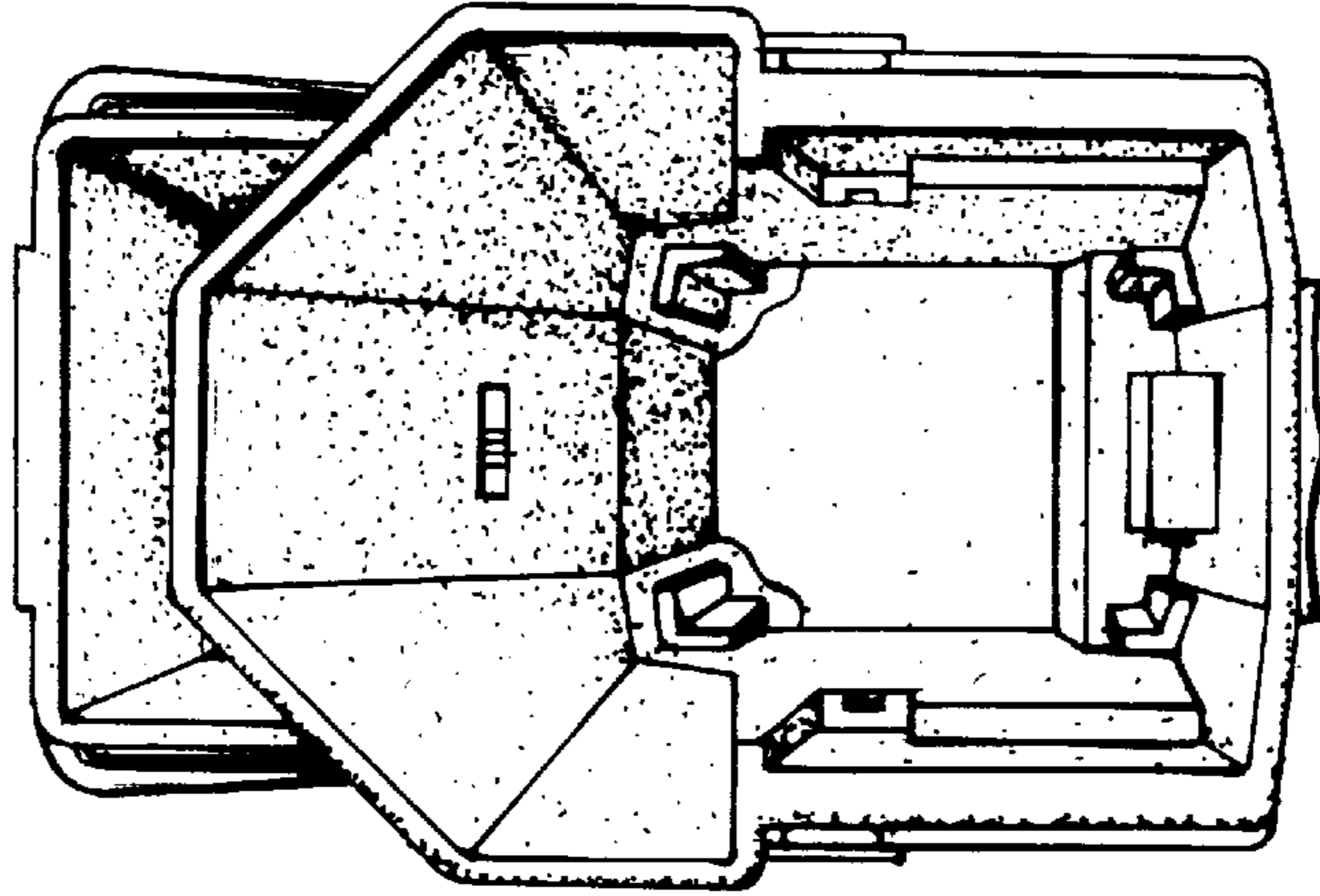


*Fig. 7.*



*Fig. 6.*

**Fig. 8.**



**Fig. 9.**

**Fig. 10.**

