



US00D426360S

# United States Patent [19]

[11] **Patent Number: Des. 426,360**

**Griffin et al.**

[45] **Date of Patent: \*\* Jun. 6, 2000**

[54] **VACUUM CLEANER HEAD**

[75] Inventors: **John Griffin**, Phoenix, Ariz.; **Craig Seasholtz**, Avis, Pa.; **David Martinez**; **Robert L. Crevling**, both of Williamsport, Pa.

[73] Assignee: **Shop Vac Corporation**, Williamsport, Pa.

[\*\*] Term: **14 Years**

[21] Appl. No.: **29/099,797**

[22] Filed: **Jan. 27, 1999**

[51] **LOC (7) Cl. .... 15-05**

[52] **U.S. Cl. .... D32/31**

[58] **Field of Search .... D32/21, 23, 24, D32/25, 31; 15/327.1, 327.2, 327.4, 327.6, 327.7, 320, 321**

SHOP-VAC Brochure, 707 Series Super Performance Wet/Dry Vacs, Model No. 707-10, dated Mar. 1991.

SHOP-VAC Brochure, QSP Series—Quiet Super Power Wet/Dry Vacs, Models 900-86 and 900-87, dated Aug. 1993.

SHOP-VAC Brochure, QSP Series— Quiet Super Power Wet/Dry Vacs, Model No. 900-29, dated Aug. 1993.

SHOP-VAC Brochure, Series 914—Quiet Super Performance Wet/Dry Vacs, Model Nos. 914-15 and 914-27, dated Apr. 1997.

SHOP-VAC Brochure, Floormaster, Wet & Dry Cleaning System, Model No. 909-50, dated Jan. 1989.

SHOP-VAC Brochure, The QSP Line of Wet/Dry Vacs from Shop Vac, dated 1994.

SHOP-VAC Brochure, All Around Vac, dated 1997.

Shop-Vac Brochure, QSP PRO, dated 1998.

Shop-Vac Brochure, QPV, dated 1997.

SHOP-VAC Brochure, 1X1 Wet/Dry Vac, dated 1997.

Karcher Brochure, Hight Performance Wet and Dry Vacuums, Dust Extraction and Spray Extraction Machines.

*Primary Examiner*—Ruth McInroy

*Attorney, Agent, or Firm*—Marshall, O’Toole, Gerstein, Murray & Borun

[56] **References Cited**

**U.S. PATENT DOCUMENTS**

D. 287,171	12/1986	Berfield et al. ....	32/25
D. 287,658	1/1987	Berfield et al. ....	D32/25
D. 287,895	1/1987	Berfield et al. ....	D32/25
D. 357,336	4/1995	Moine et al. ....	D32/23
D. 357,773	4/1995	Wareham et al. ....	D32/23
D. 358,010	5/1995	Berfield et al. ....	D32/23
D. 360,718	7/1995	Rakocy et al. ....	D32/31
D. 361,179	8/1995	Moine et al. ....	D32/23
D. 362,091	9/1995	Tomasiak et al. ....	D32/23
D. 372,567	8/1996	Moine et al. ....	D32/23
D. 373,862	9/1996	Stephens et al. ....	D32/23
D. 383,575	9/1997	Griffin ....	32/23
D. 389,962	1/1998	Berfield et al. ....	32/23
D. 398,100	9/1998	Stephens et al. ....	D32/23
2,920,337	1/1960	Smith ....	15/323
5,144,716	9/1992	Watanabe et al. ....	15/323

**OTHER PUBLICATIONS**

SHOP-VAC Brochure, QSP Series—Quiet Super Power Wet/Dry Vacs, Model Nos. 900-80 thru 900-84, dated Aug. 1993.

[57] **CLAIM**

The ornamental design for a vacuum cleaner head, as shown and described.

**DESCRIPTION**

FIG. 1 is a perspective view of vacuum cleaner head showing my new design;

FIG. 2 is a back elevational view thereof;

FIG. 3 is a front elevational view thereof;

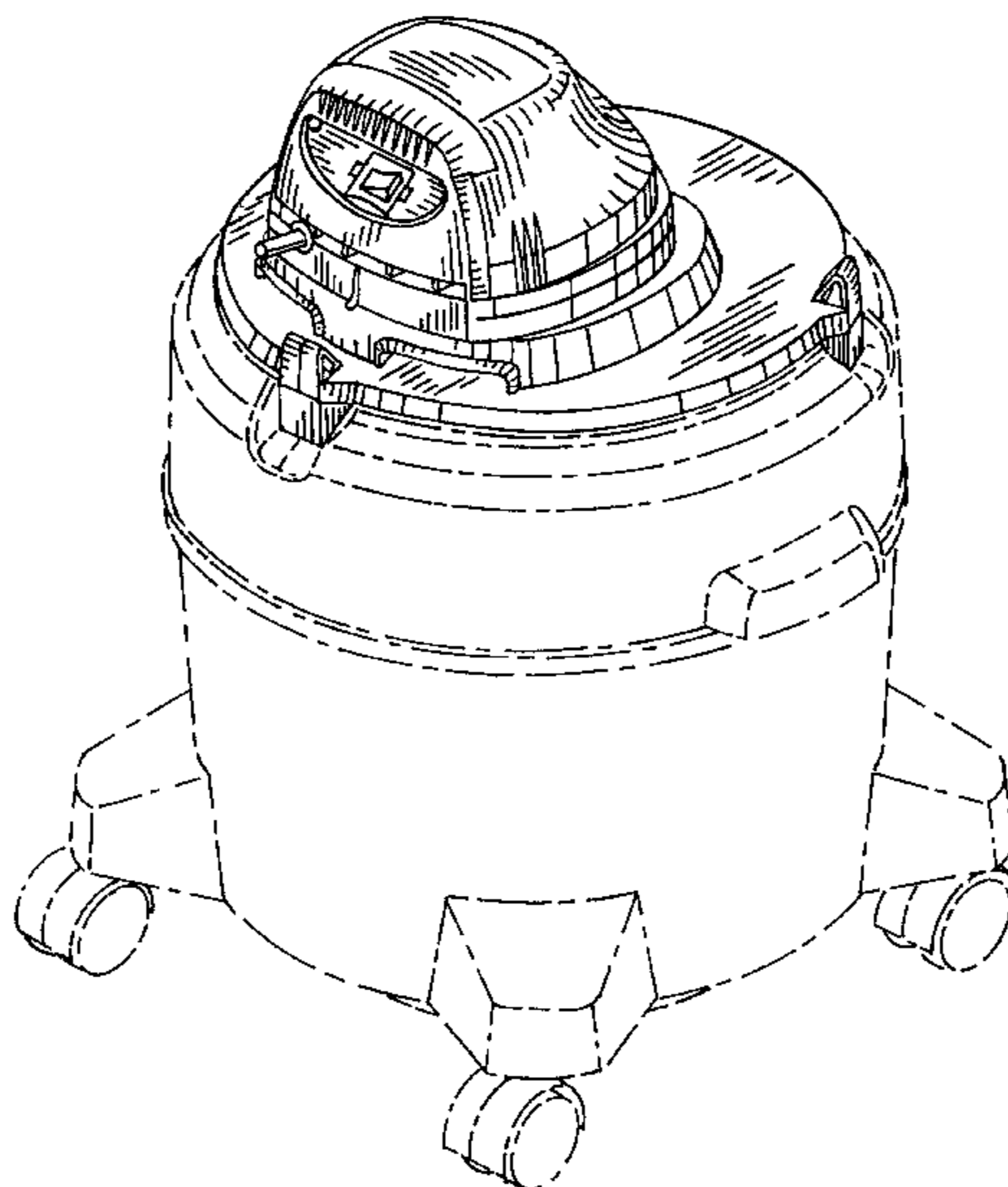
FIG. 4 is a left elevational view thereof;

FIG. 5 is a right elevational view thereof; and,

FIG. 6 is a plan view thereof.

The portion of the vacuum cleaner shown in broken lines in FIGS. 1-6 is for illustrative purposes only and forms no part of the claimed design. The electric cord is shown broken away in all views for ease of illustration.

**1 Claim, 6 Drawing Sheets**



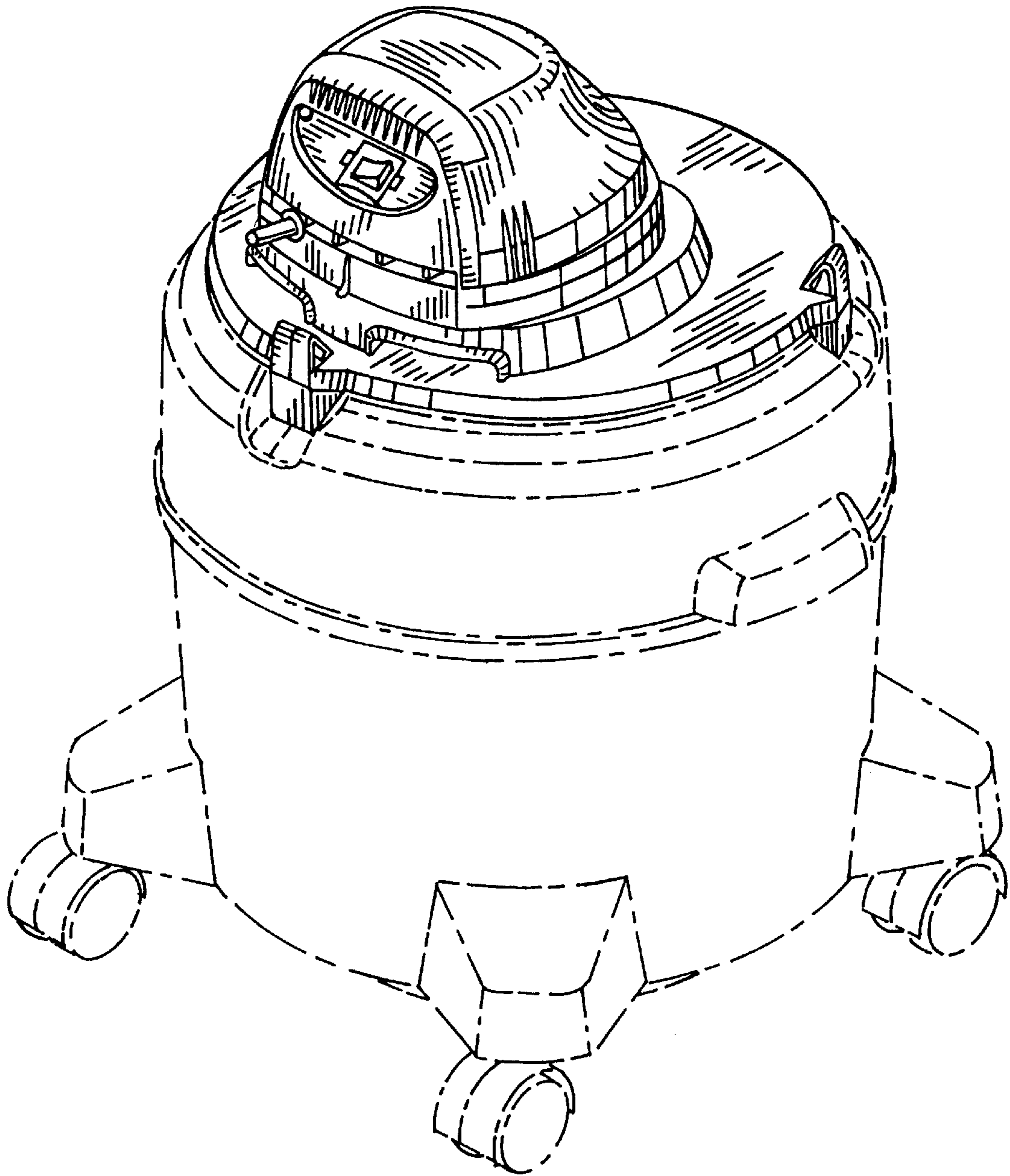


FIG. 1

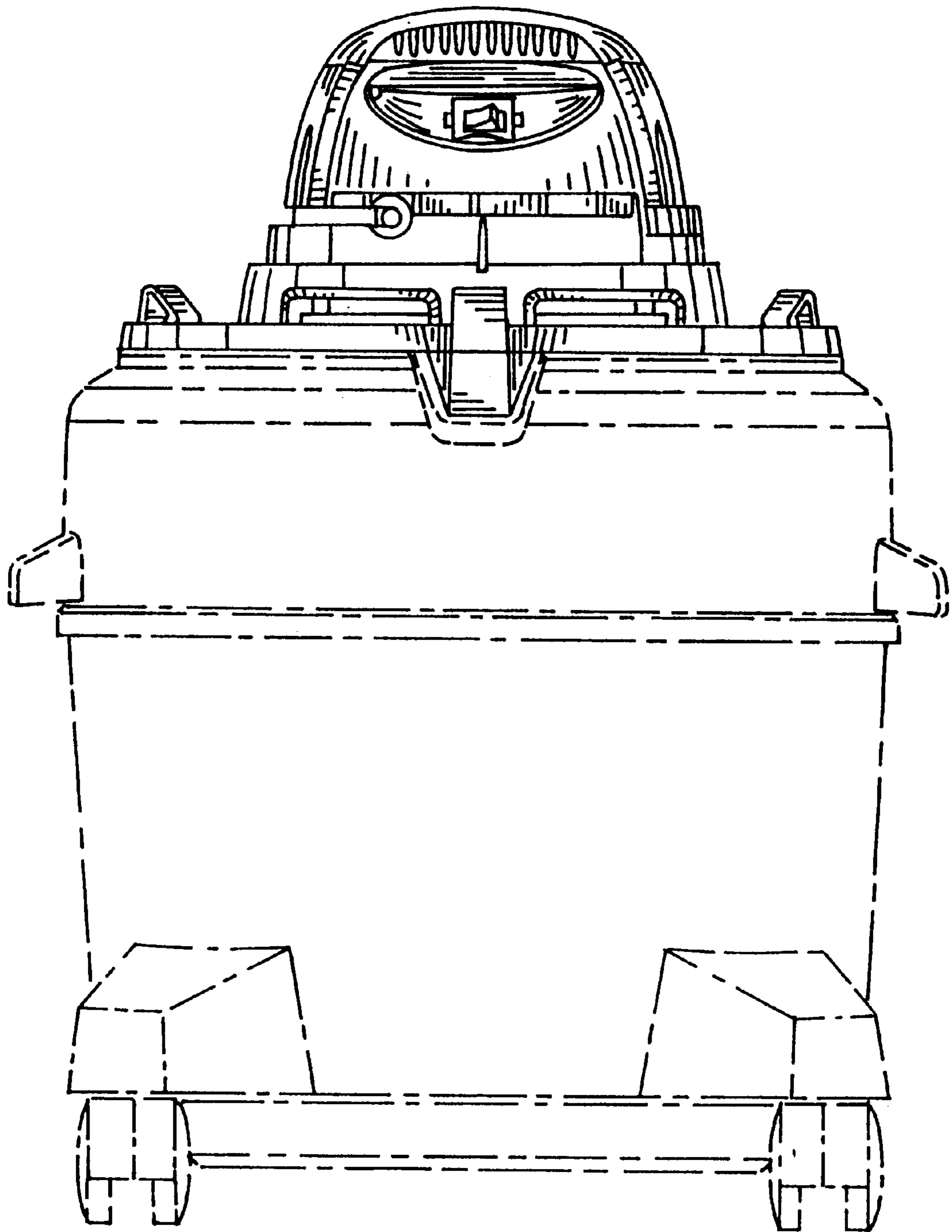


FIG. 2

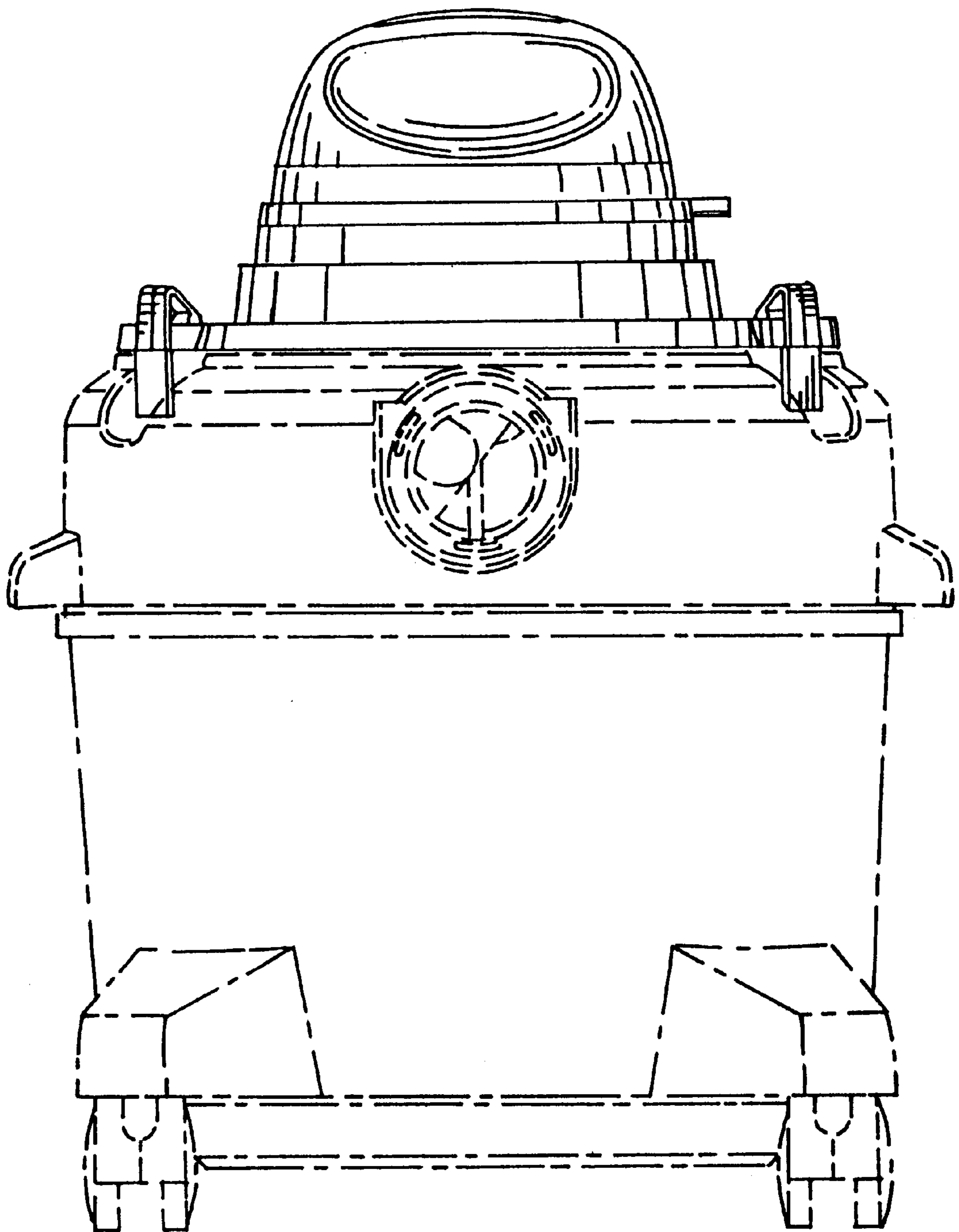


FIG. 3

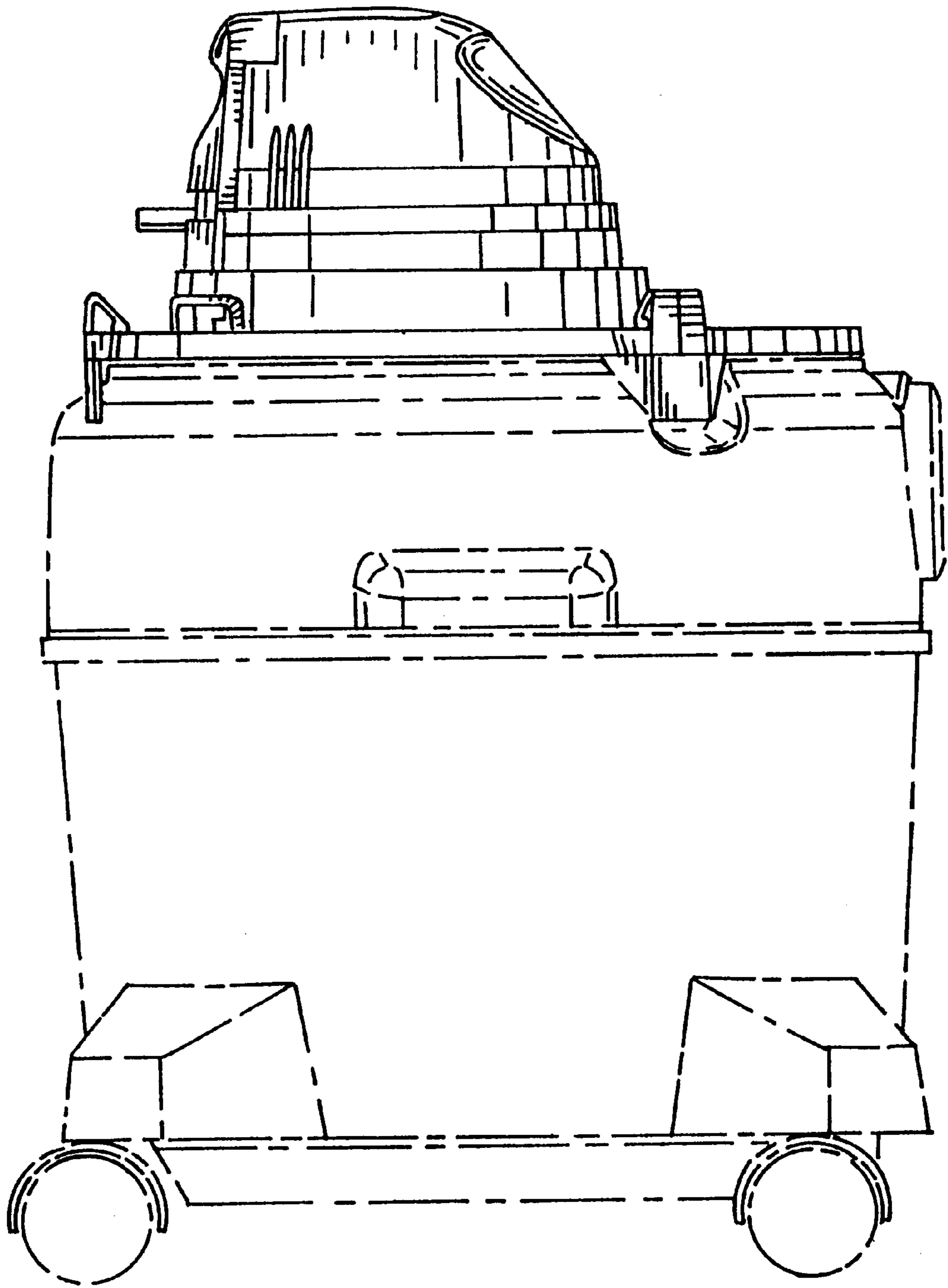


FIG. 4

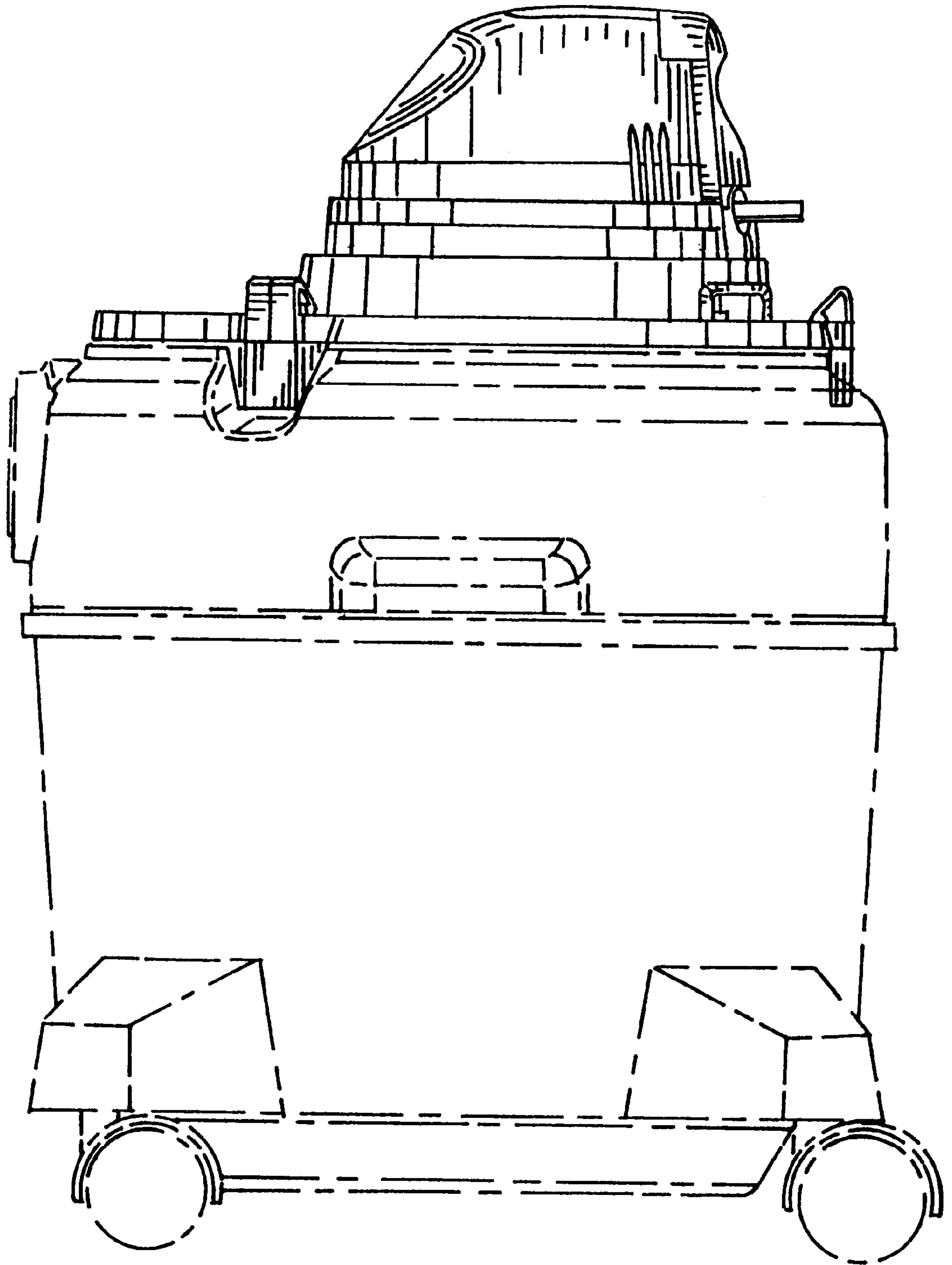


FIG. 5

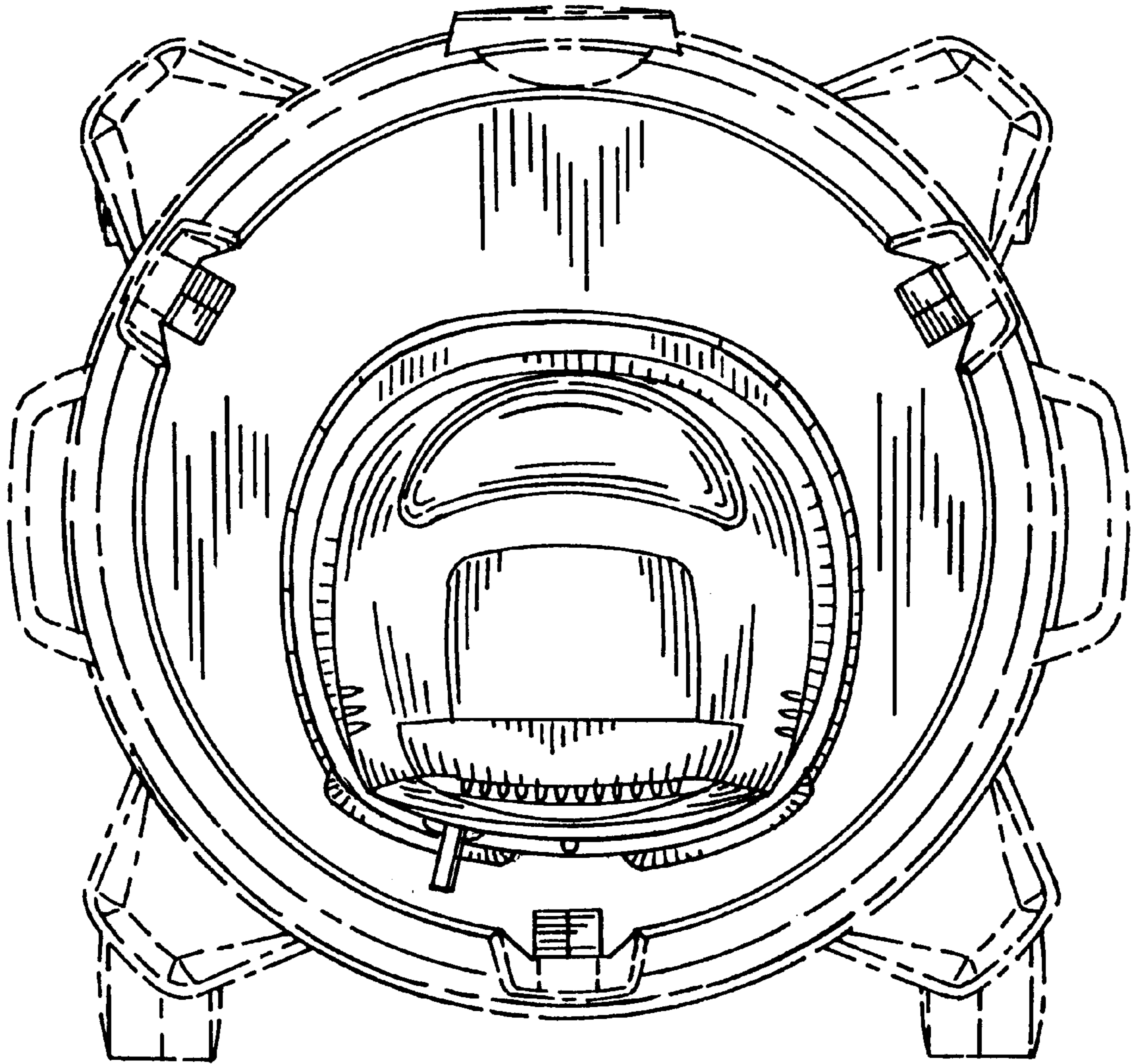


FIG. 6