



US00D426359S

United States Patent [19]

[11] **Patent Number: Des. 426,359**

Griffin et al.

[45] **Date of Patent: ** Jun. 6, 2000**

[54] **VACUUM CLEANER HEAD**

[75] Inventors: **John Griffin**, Phoenix, Ariz.; **Kevin Fry**, South Williamsport, Pa.

[73] Assignee: **Shop Vac Corporation**, Williamsport, Pa.

[**] Term: **14 Years**

[21] Appl. No.: **29/097,316**

[22] Filed: **Dec. 3, 1998**

[51] **LOC (7) Cl.** **15-05**

[52] **U.S. Cl.** **D32/31**

[58] **Field of Search** D32/21, 23, 24,
D32/25, 31; 15/327.1, 327.2, 327.4, 327.6,
327.7, 320, 321

[56] **References Cited**

U.S. PATENT DOCUMENTS

D. 287,171	12/1986	Berfield et al.	32/25
D. 287,658	1/1987	Berfield et al.	D32/25
D. 287,895	1/1987	Berfield et al.	D32/25
D. 296,945	7/1988	Erickson, Jr.	D32/23
D. 324,930	3/1992	Pino	D32/23
D. 338,294	8/1993	Kohler	D32/23
D. 358,010	5/1995	Berfield et al.	32/23
D. 360,718	7/1995	Rakocy et la.	D32/31
D. 362,522	9/1995	Kohler	D32/23
D. 367,342	2/1996	Langeland et al.	D32/23
D. 383,575	9/1997	Griffin	32/23
D. 388,565	12/1997	Pietrobon	D32/23
D. 389,962	1/1998	Berfield et al.	32/23
D. 395,119	6/1998	Berfield	34/23

OTHER PUBLICATIONS

Shop-Vac Brochure, QSP Series—Quiet Super Power Wet/Dry Vacs, Model Nos. 900-80 thru 900-84, dated Aug. 1993.

Shop-Vac Brochure, 707 Series Super Performance Wet/Dry vacs, Model No. 707-10, dated Mar. 1991.

Shop-Vac Brochure, QSP Series—Quiet Super Power Wet/Dry Vacs, Models 900-86 and 900-87, dated Aug. 1993.

Shop-Vac Brochure, QSP Series—Quiet Super Power Wet/Dry vacs, Model No. 900-29, dated Aug. 1993.

Shop-Vac Brochure, Series 914—Quiet Super Performance Wet/Dry Vacs, Model Nos. 914-15 and 914-27, dated Apr. 1997.

Shop-Vac Brochure, Floormaster, Wet & Dry Cleaning System, Model No. 909-50, dated Jan. 1989.

Shop-Vac Brochure, The QSP Line of Wet/Dry Vacs from Shop Vac, dated 1994.

Shop-Vac Brochure, All Around Vac, dated 1997.

Shop-Vac Brochure, QSP Pro, dated 1998.

Shop-Vac Brochure, QPV, dated 1997.

Shop-Vac Brochure, 1X1 Wet/Dry Vac, dated 1997.

Primary Examiner—Ruth McInroy

Attorney, Agent, or Firm—Marshall, O’Toole, Gerstein, Murray & Borun

[57] **CLAIM**

The ornamental design for a vacuum cleaner head, as shown and described.

DESCRIPTION

FIG. 1 is a perspective view of a vacuum cleaner head showing our new design;

FIG. 2 is a front elevational view thereof;

FIG. 3 is a back elevational view thereof;

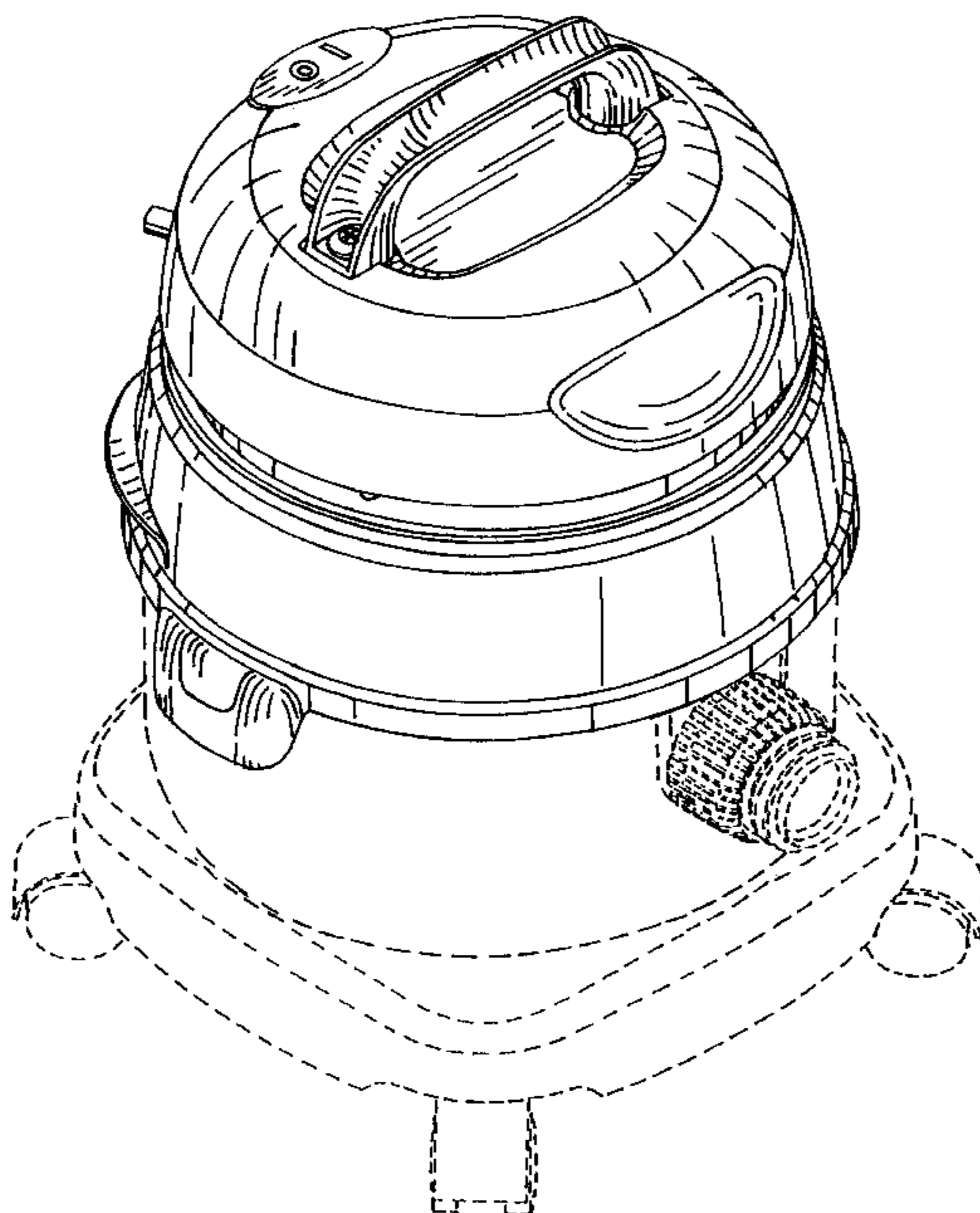
FIG. 4 is a right elevational view thereof;

FIG. 5 is a left elevational view thereof; and,

FIG. 6 is a plan view thereof.

The portion of the vacuum cleaner shown in broken lines in FIGS. 1-6 is for illustrative purposes only and forms no part of the claimed design.

1 Claim, 6 Drawing Sheets



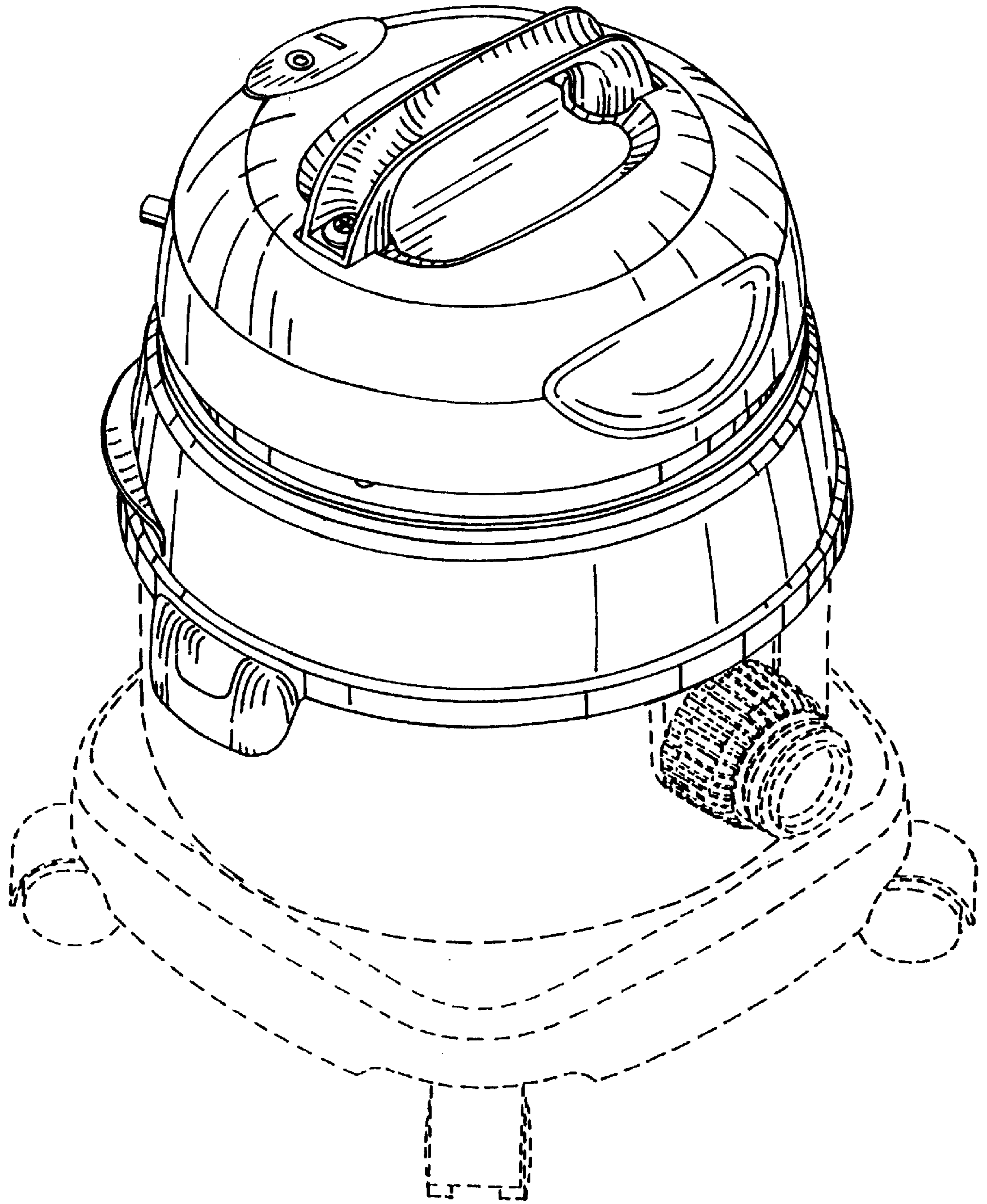


FIG. 1

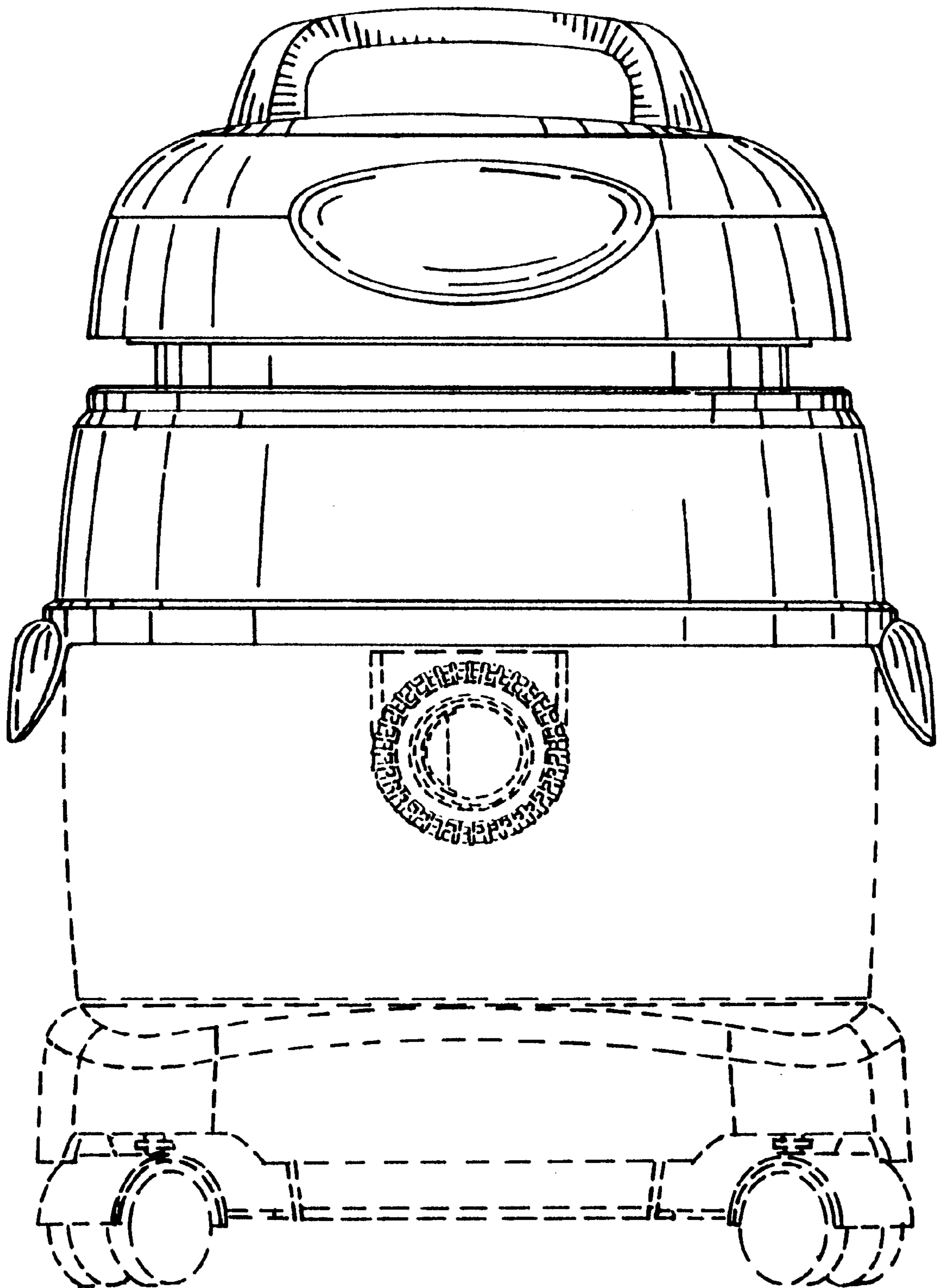


FIG.2

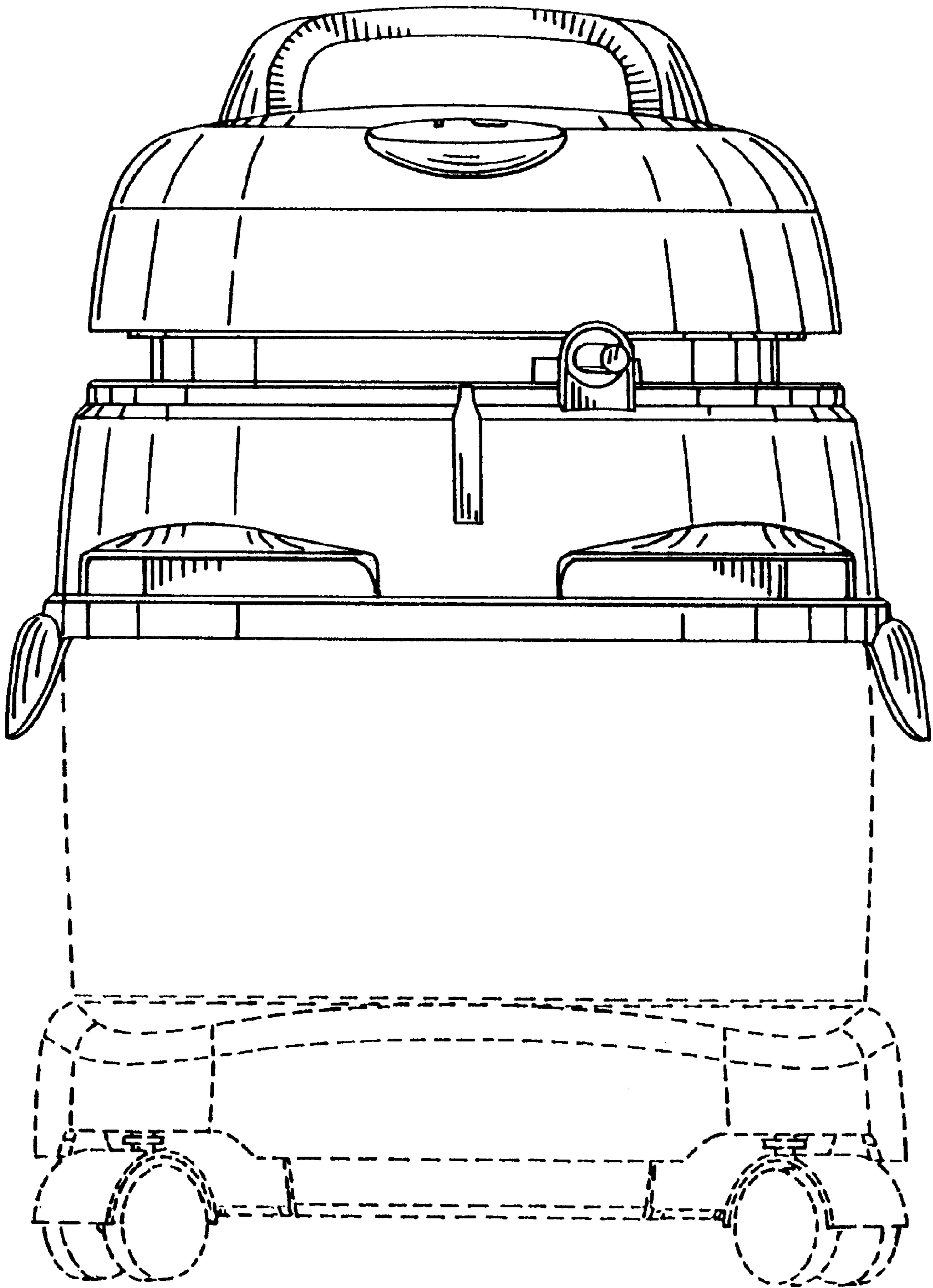


FIG. 3

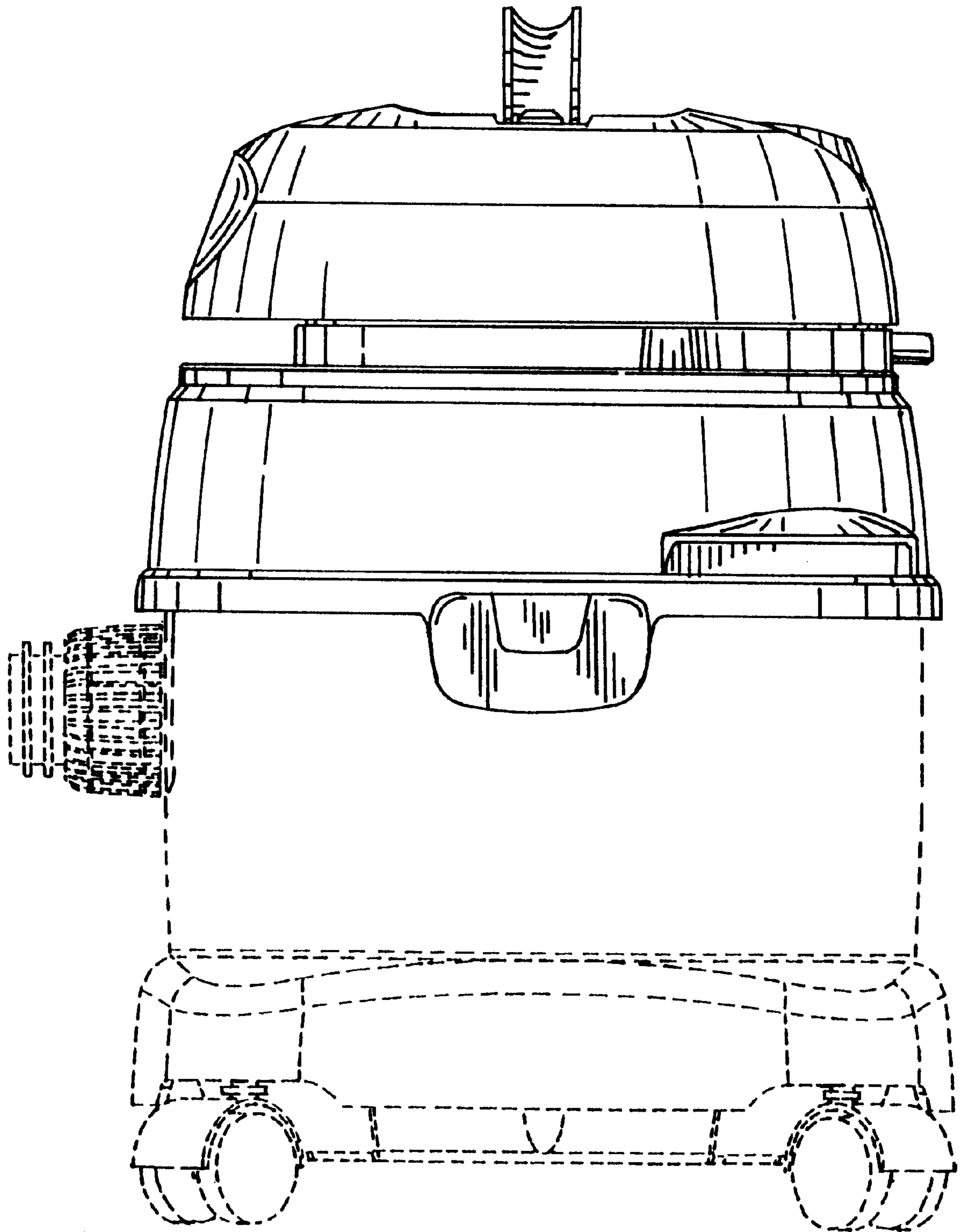


FIG. 4

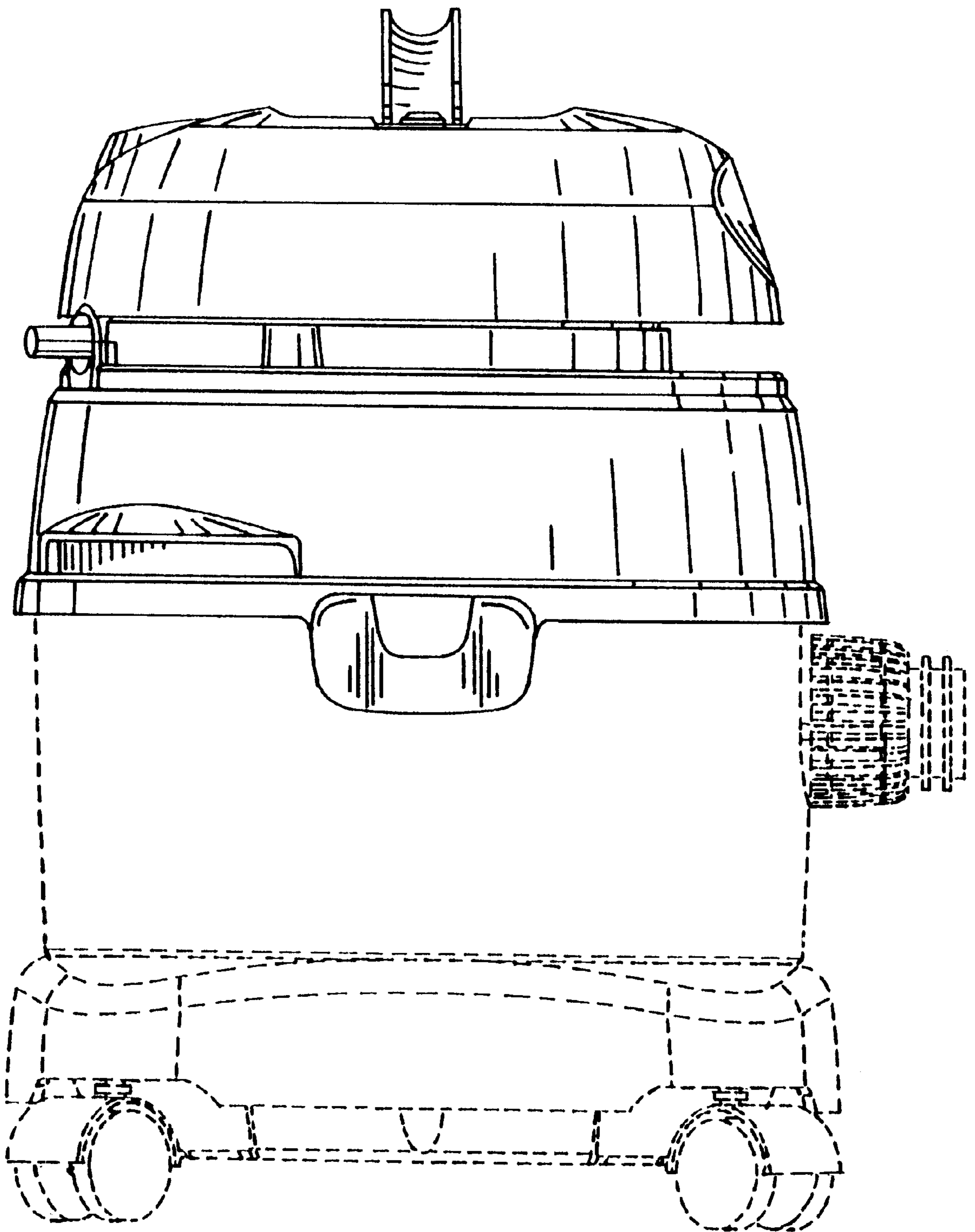


FIG. 5

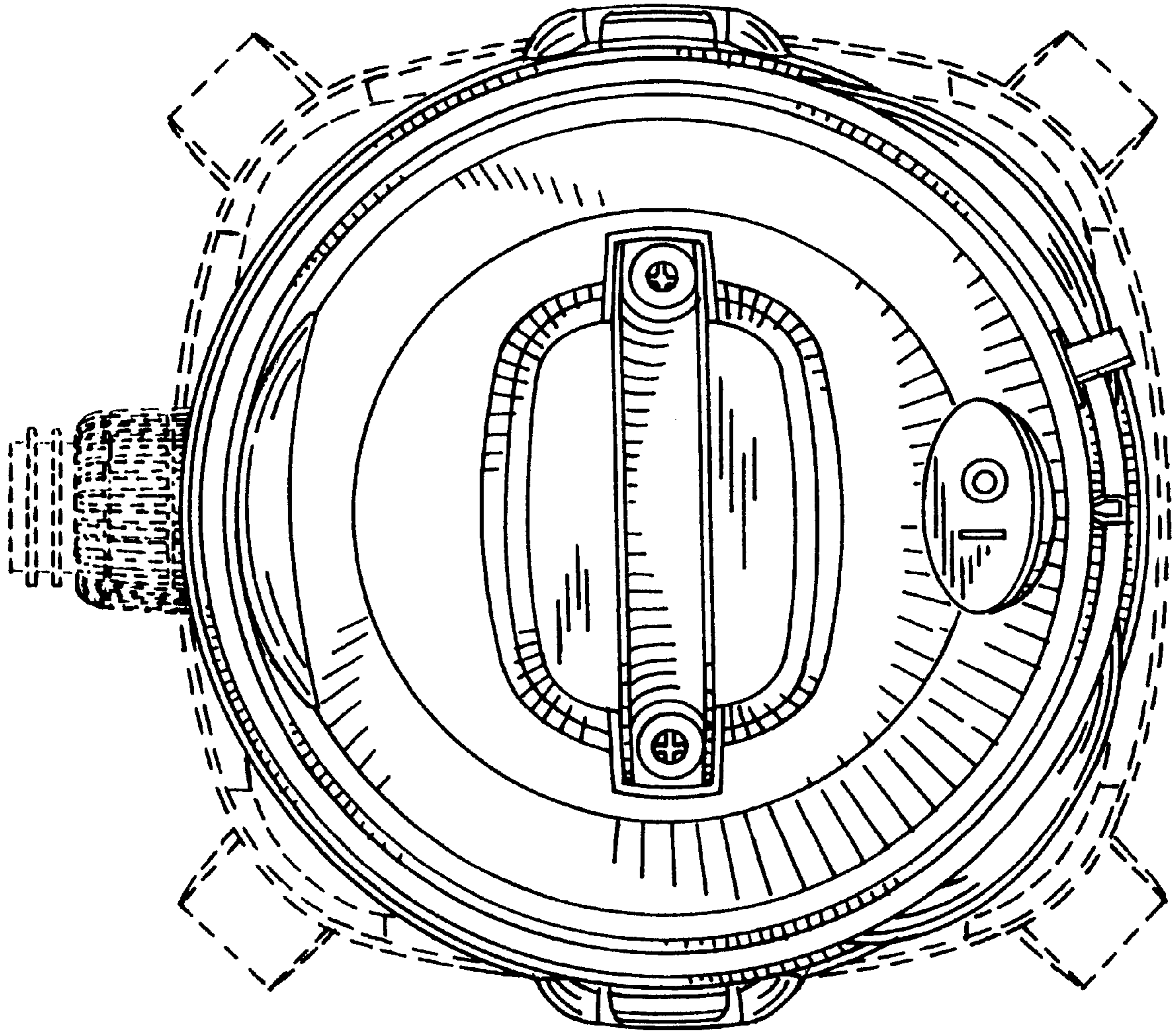


FIG. 6