



US00D426355S

# United States Patent [19]

[11] Patent Number: **Des. 426,355**

Rohn et al.

[45] Date of Patent: **\*\* Jun. 6, 2000**

[54] **VACUUM CLEANER**

[75] Inventors: **Dean Robert Rohn; Roy Oliver Erickson; Stephen John Wood; John J. Alberts, III**, all of Cadillac; **Alan Joseph Krebs**, Stanwood, all of Mich.; **Mark Christopher Bates**, Bellingham; **John Carl Costello**, Wellesley, both of Mass.

[73] Assignee: **Rexair, Inc.**, Troy, Mich.

[\*\*] Term: **14 Years**

[21] Appl. No.: **29/083,412**

[22] Filed: **Feb. 4, 1998**

[51] **LOC (7) Cl.** ..... **15-05**

[52] **U.S. Cl.** ..... **D32/21; D32/23**

[58] **Field of Search** ..... **D32/31, 21, 23, D32/24, 25, 30; 15/323, 325, 326, 327.1, 327.2, 321, 347, 353**

[56] **References Cited**

**U.S. PATENT DOCUMENTS**

D. 103,420	1/1937	Brock .	
D. 144,063	3/1946	Mcallister .....	D9/2
D. 165,636	1/1952	Cherry et al. ....	D9/2
D. 174,841	5/1955	Trombley .....	D9/2
D. 182,257	3/1958	Trombley .....	D9/2
D. 183,961	11/1958	Chapman .....	D9/2
D. 266,612	10/1982	Hug .....	D32/23
D. 280,768	9/1985	Ferraris et al. ....	D32/23
D. 296,945	7/1988	Erickson, Jr. ....	D32/23

D. 335,555	5/1993	Reath .....	D32/21
D. 357,336	4/1995	Moine et al. ....	D32/23
D. 357,773	4/1995	Wareham et al. ....	D32/23
D. 361,179	8/1995	Moine et al. ....	D32/23
D. 362,091	9/1995	Tomasiak et al. ....	D32/23
D. 362,522	9/1995	Kohler .....	D32/23
D. 367,342	2/1996	Longeland et al. ....	D32/23
D. 372,567	8/1996	Moine et al. ....	D32/23
D. 373,862	9/1996	Stephens et al. ....	D32/23
D. 384,448	9/1997	Stephens et al. ....	D32/23
2,102,353	1/1937	Brock .....	183/24
4,531,257	7/1985	Passien .....	15/321
5,144,716	9/1992	Watanabe et al. ....	15/323
5,528,794	6/1996	Tomasiak .....	15/323
5,611,107	3/1997	Tomasiak et al. ....	15/327.2

*Primary Examiner*—Ruth McInroy  
*Attorney, Agent, or Firm*—Howard & Howard

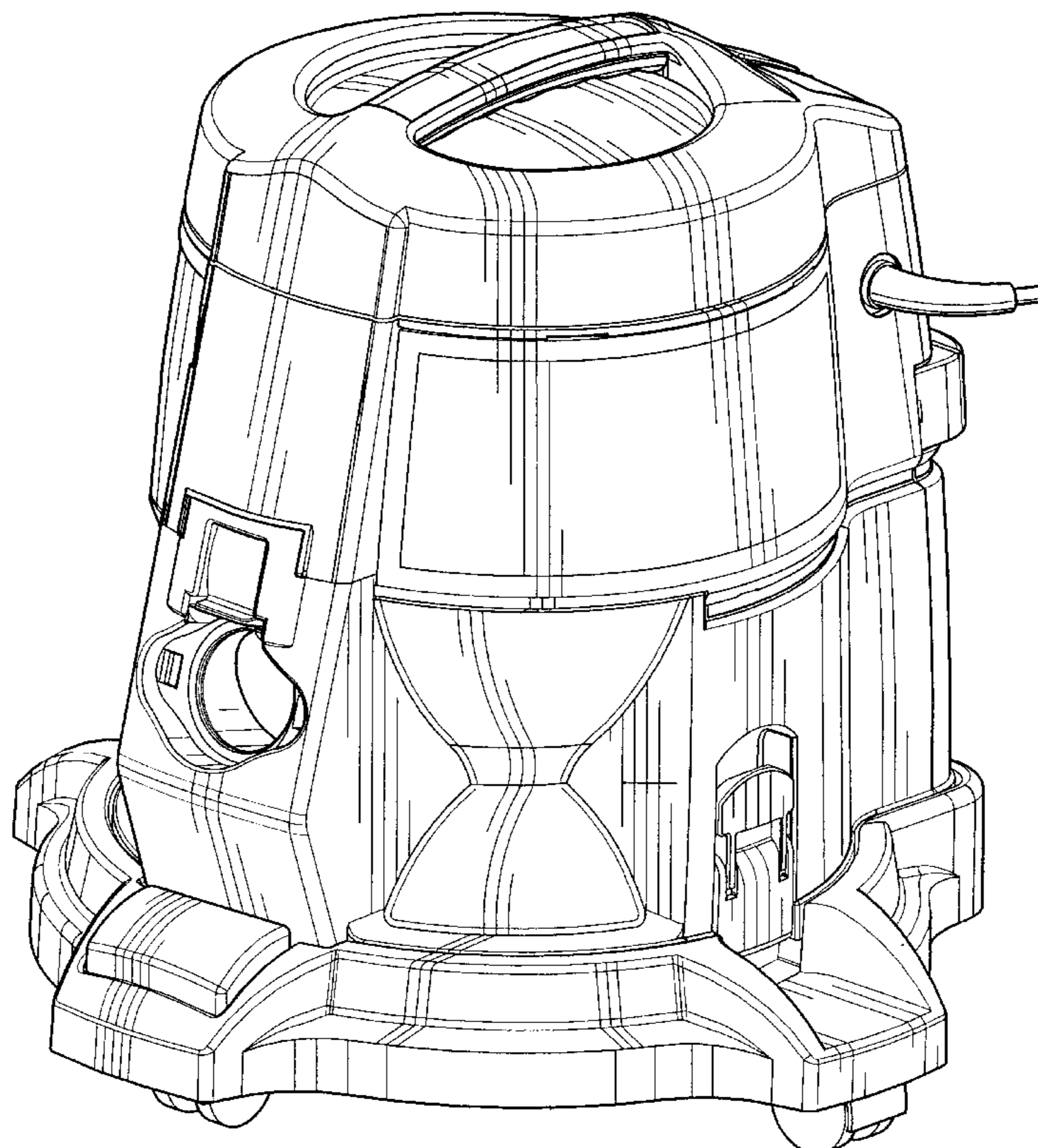
[57] **CLAIM**

The ornamental design of a vacuum cleaner, as shown and described.

**DESCRIPTION**

FIG. 1 is a perspective view of a vacuum cleaner showing our new design;  
FIG. 2 is a front elevational view thereof;  
FIG. 3 is a side elevational view thereof;  
FIG. 4 is a side elevational view thereof of the side opposite to that shown in FIG. 3;  
FIG. 5 is a rear elevational view thereof;  
FIG. 6 is a top plan view thereof; and,  
FIG. 7 is a bottom plan view thereof.

**1 Claim, 7 Drawing Sheets**



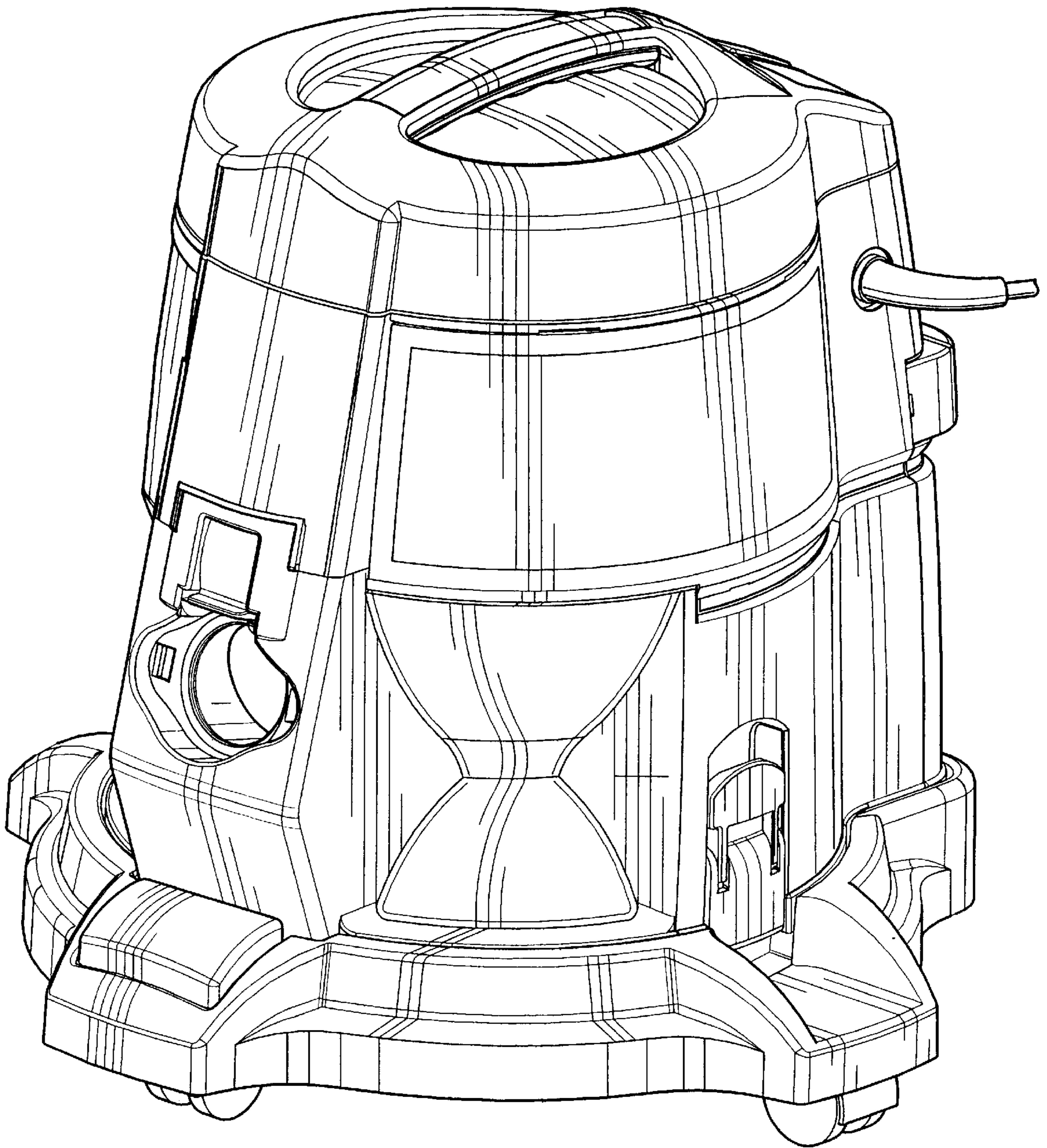


Fig-1

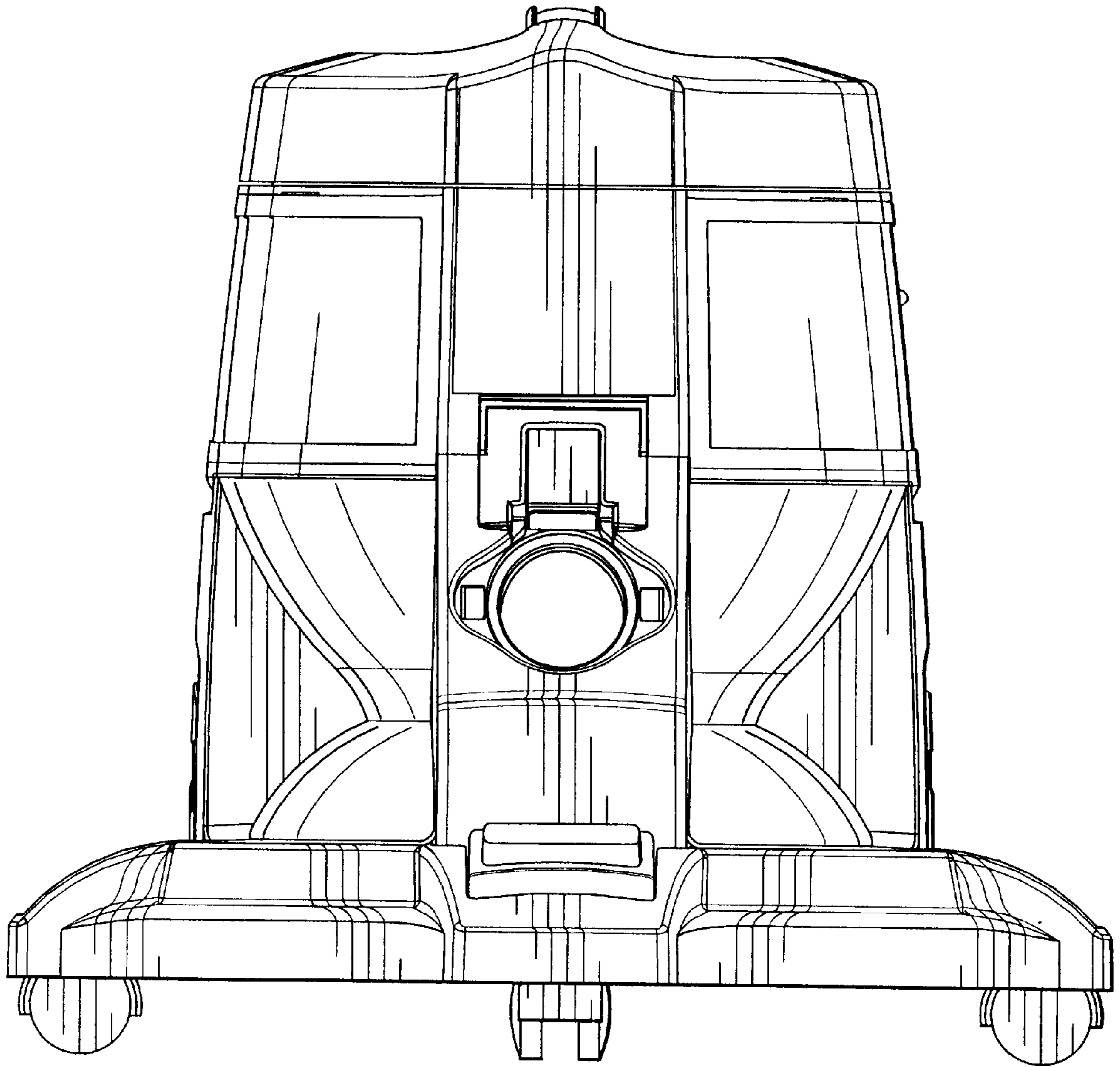


Fig-2

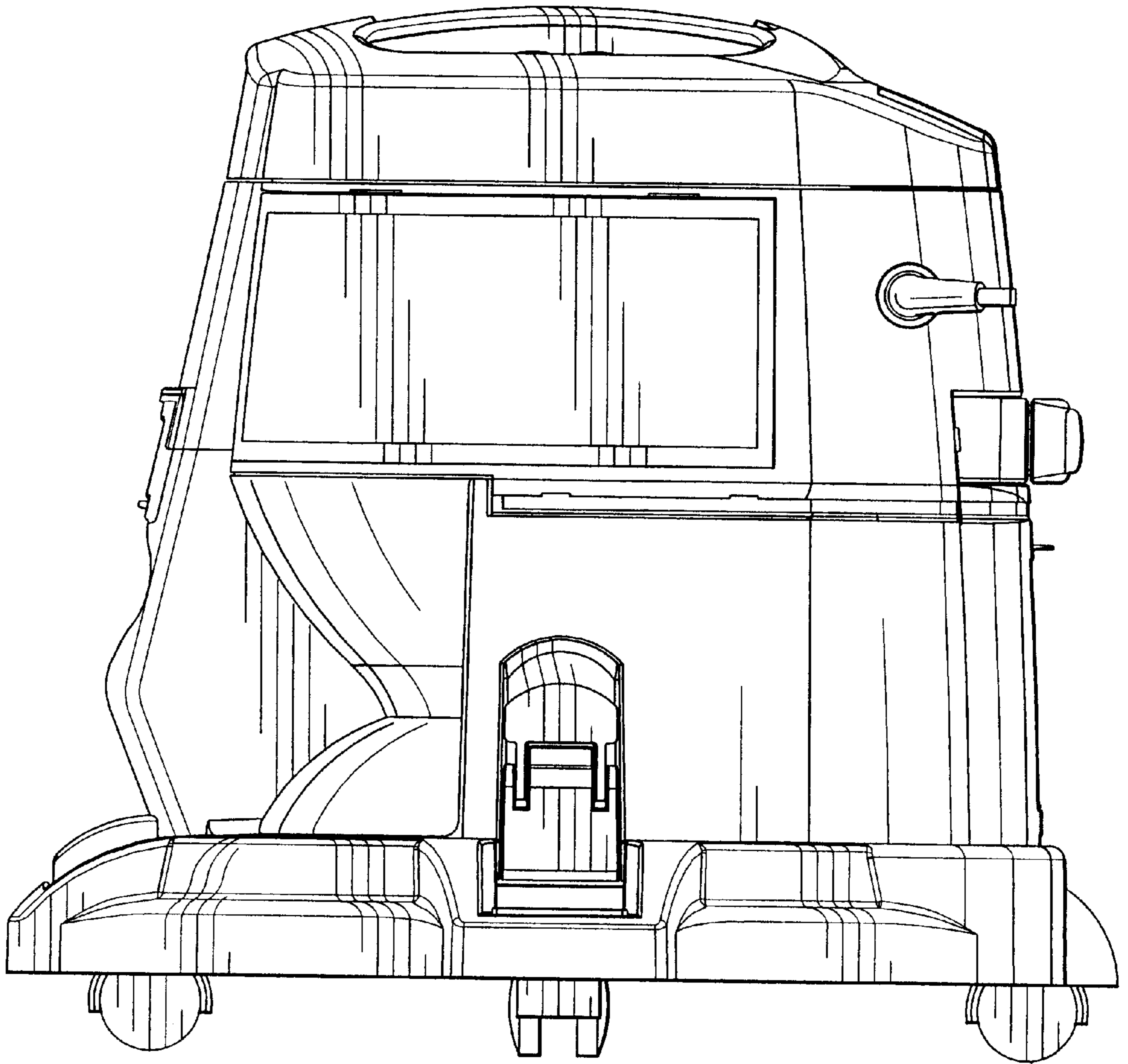


Fig-3

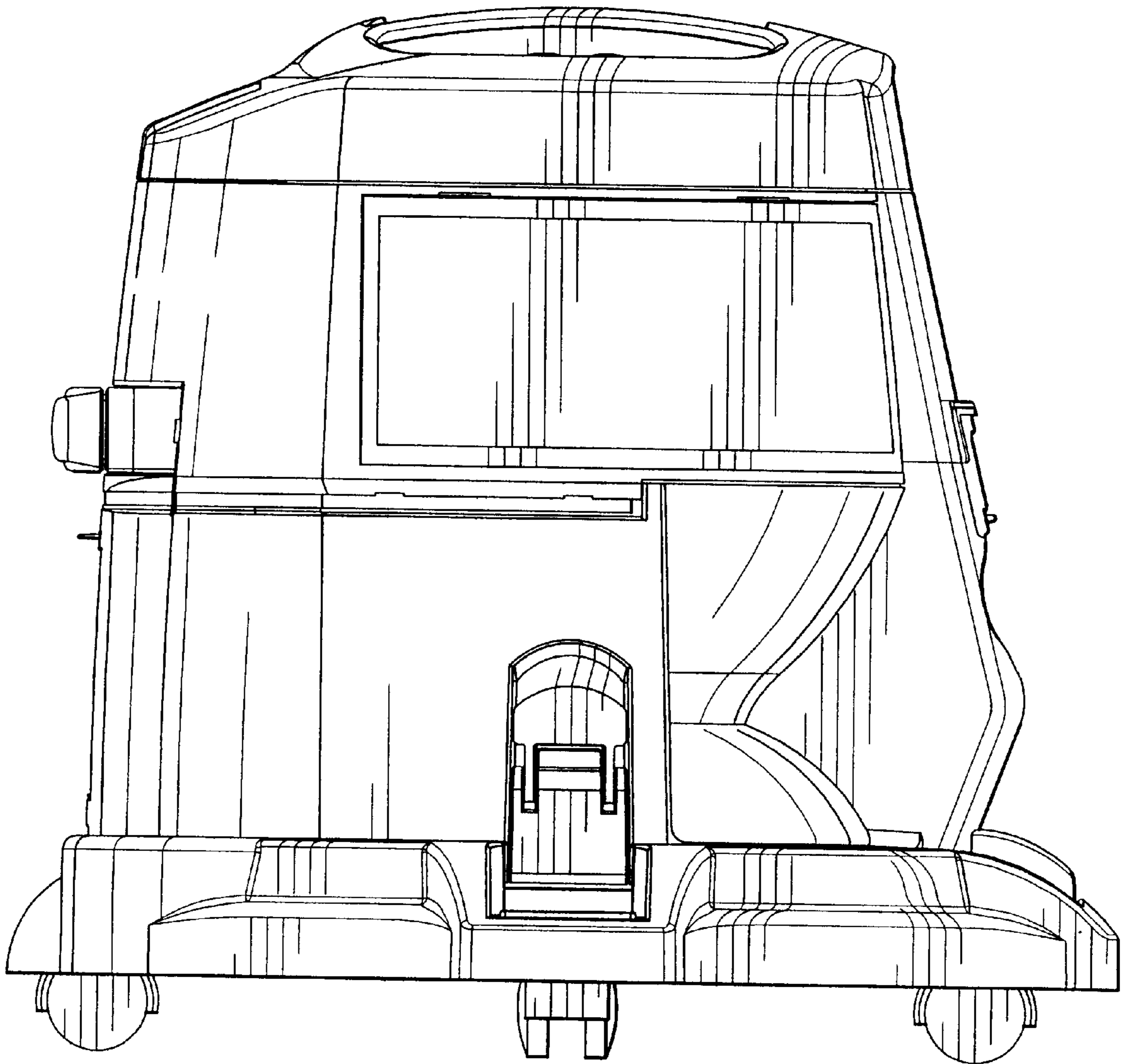


Fig-4

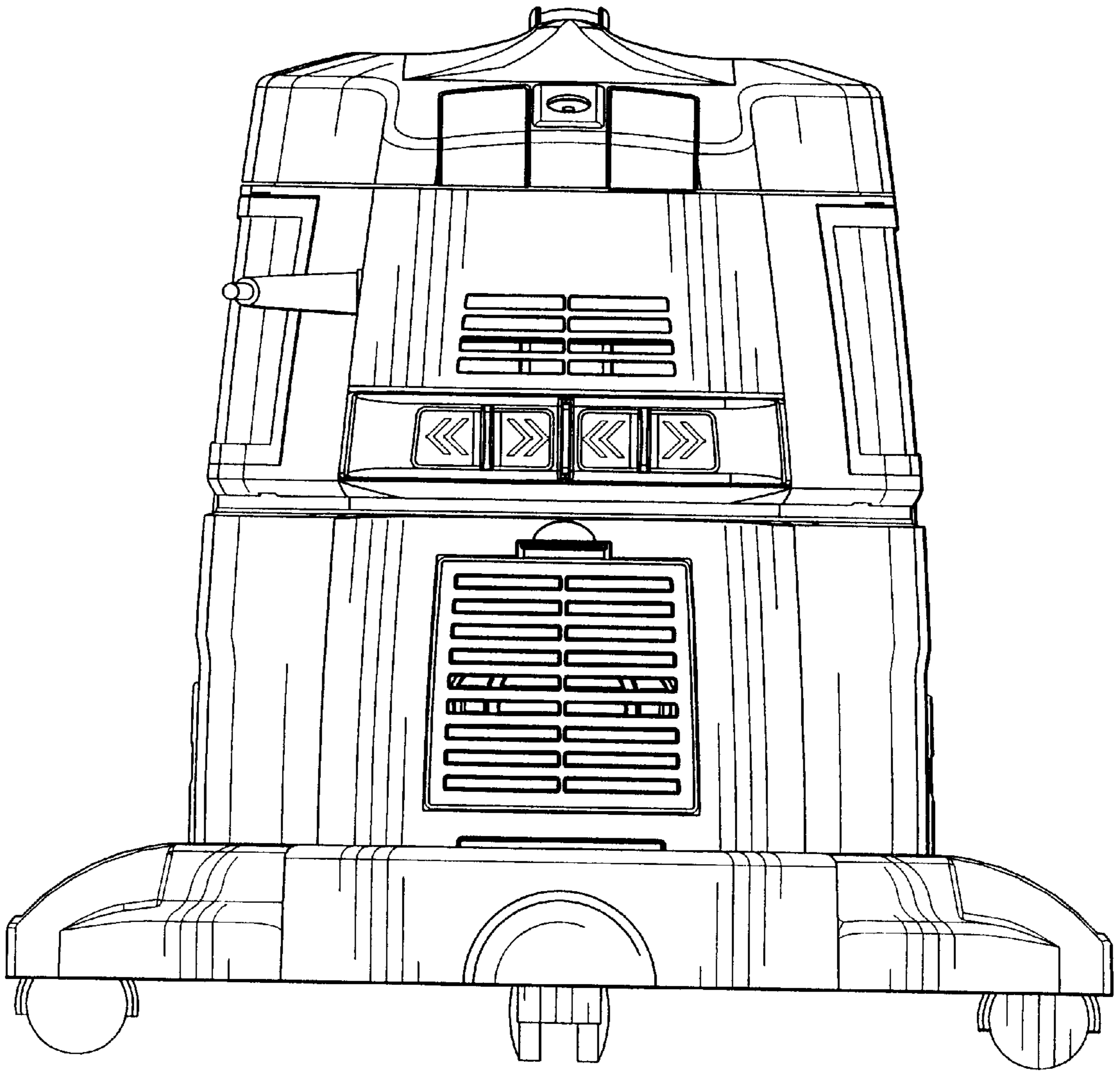


Fig-5

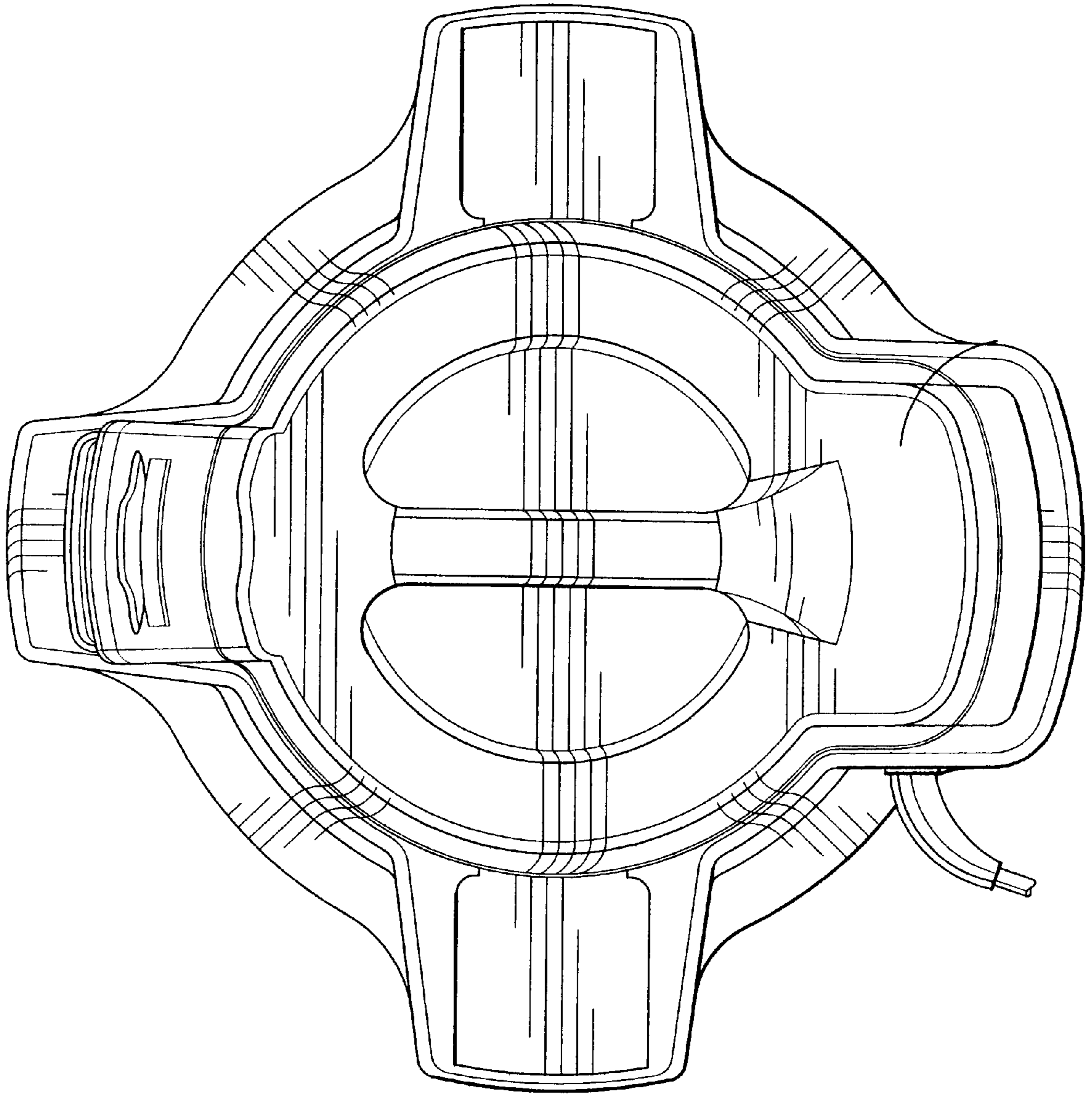


Fig-6

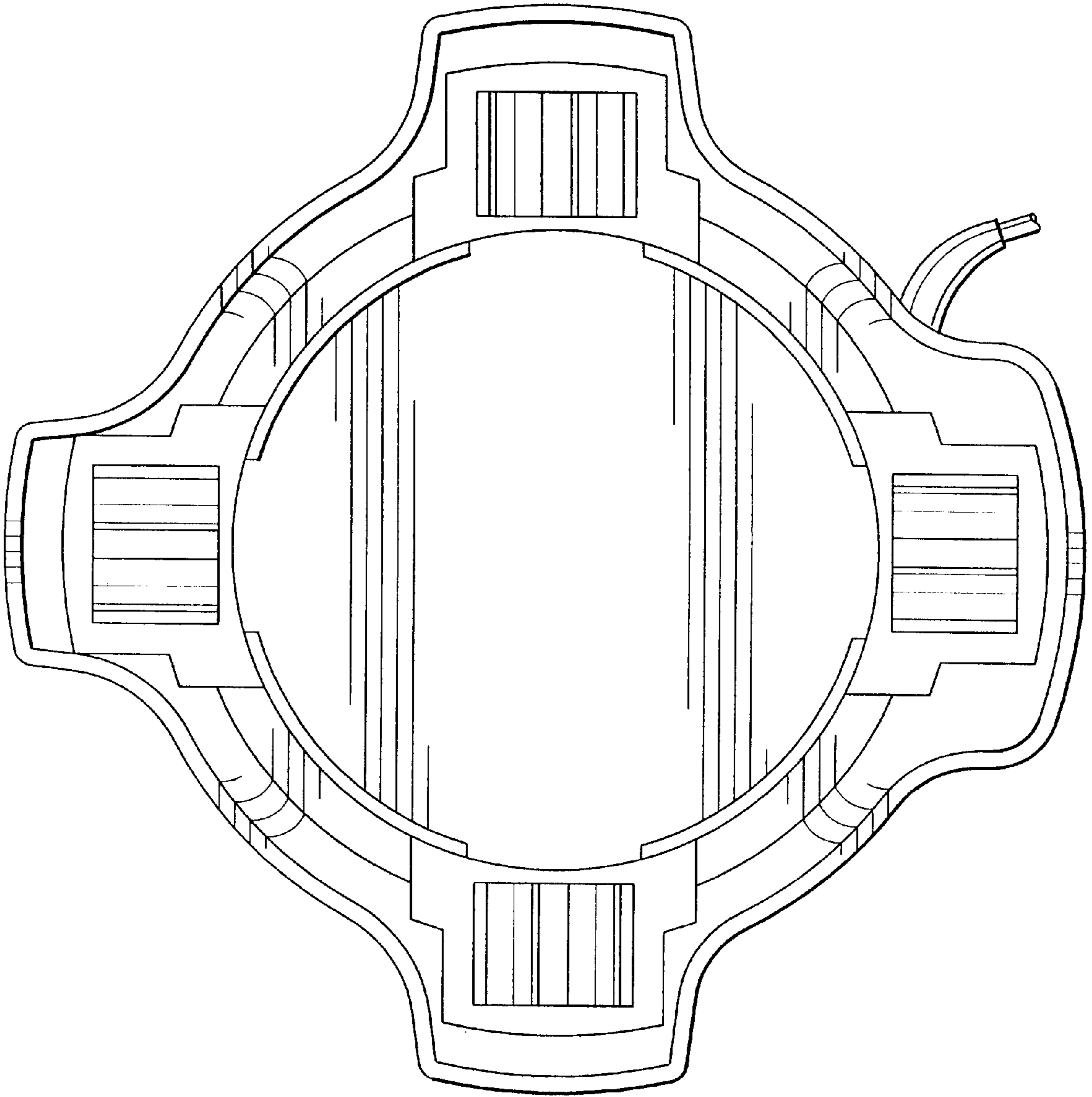


Fig-7