



US00D426354S

United States Patent [19]

[11] Patent Number: Des. 426,354

Ohi et al.

[45] Date of Patent: ** Jun. 6, 2000

[54] GASOLINE ENGINE POWERED BLOWER VAC

OTHER PUBLICATIONS

[75] Inventors: Taku Ohi, Chandler; Kenneth M. Brazell, Phoenix; Jack B. Sing, Chandler, all of Ariz.

IDC Blower Vac, Model 300BV; Owner's Manual, Sep., 1990, 12 pages.

[73] Assignee: Ryobi North America, Inc., Anderson, S.C.

IDC Blower Vac, Model 300BV-2; Parts Manual, no dated, 4 pages.

[**] Term: 14 Years

Ryan Owner's Manual Model 300/300BV; Gasoline Powered Blower Vac, 1987, 12 pages.

Valex Mistral Sales Brochure, Sep., 1996 GAFA Show, Cologne, Germany, 5 pages.

[21] Appl. No.: 29/090,958

Operator's Manual for Flymo Garden Va, no date, 20 pages.

[22] Filed: Jul. 21, 1998

Primary Examiner—Louis S. Zarfes

Assistant Examiner—Robert A. Delehanty

Attorney, Agent, or Firm—Brooks & Kushman P.C.

[51] LOC (7) Cl. 15-05

[52] U.S. Cl. D32/15

[58] Field of Search D32/15, 16, 17, D32/18, 21, 25, 32, 34; 15/344, 405; D23/213

[57] CLAIM

The ornamental design for a gasoline engine powered blower vac, as shown and described.

[56] References Cited

DESCRIPTION

U.S. PATENT DOCUMENTS

FIG. 1 is an upper front perspective view of the gasoline engine powered blower vac;

FIG. 2 is a lower rear perspective view;

FIG. 3 is a right side elevational view;

FIG. 4 is a left side elevational view;

FIG. 5 is a top plan view; and,

FIG. 6 is a bottom plan view.

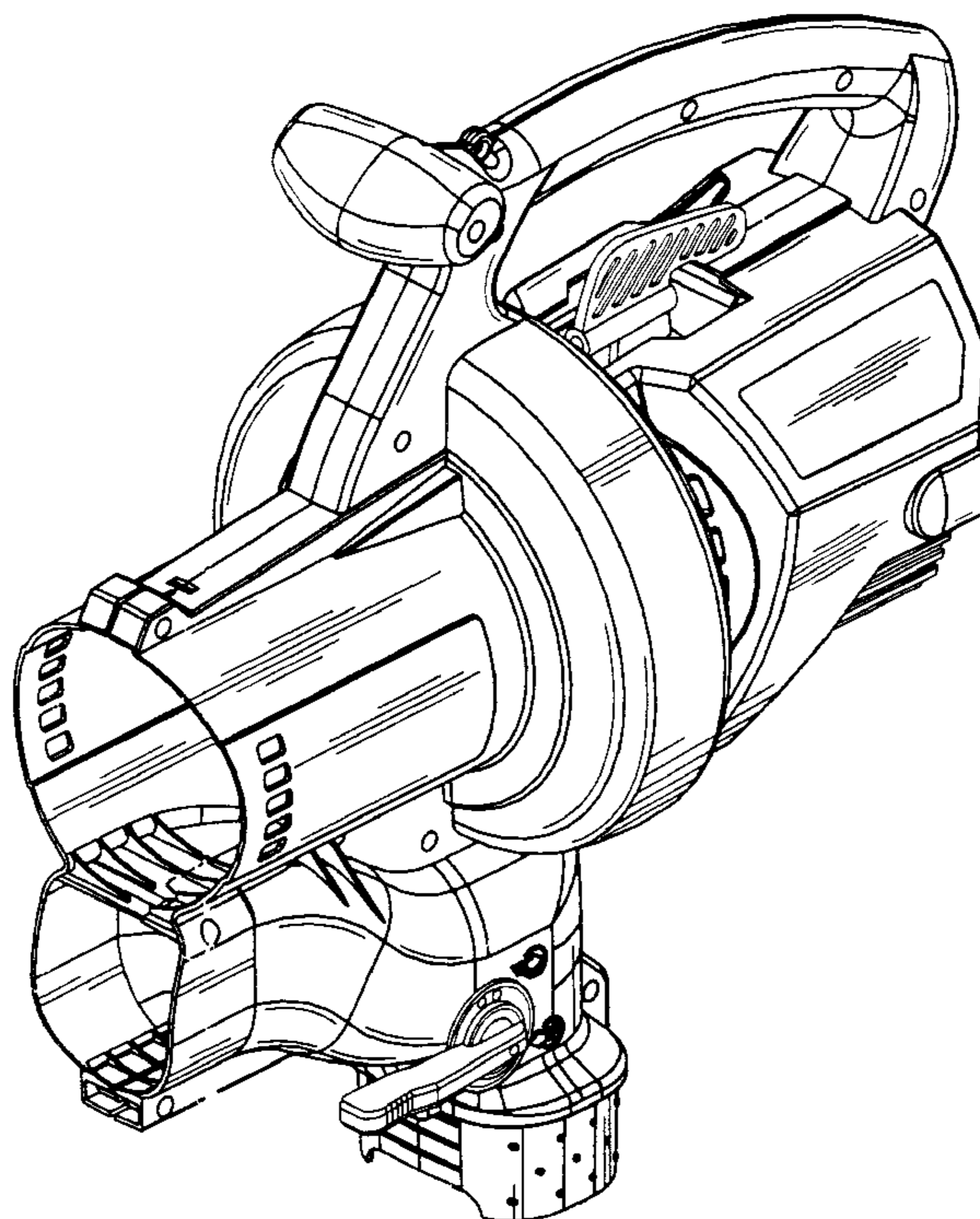
The broken line showing of the interior structure in FIG. 6 of the drawing is for illustrative purposes only and forms no part of the claimed design.

D. 358,912	5/1995	Baker et al.	D32/15
D. 368,341	3/1996	Pink	D32/15
4,644,606	2/1987	Luerken et al. .	
4,713,858	12/1987	Kelber	15/347
5,511,281	4/1996	Webster .	
5,535,476	7/1996	Kresse et al.	15/320
5,621,945	4/1997	Howells .	
5,692,262	12/1997	Haupt et al.	15/339
5,701,632	12/1997	Webster et al. .	
5,722,111	3/1998	Sowell et al. .	
5,768,749	6/1998	Ohi et al.	D32/15

FOREIGN PATENT DOCUMENTS

792 578 A2 9/1997 European Pat. Off. .

1 Claim, 3 Drawing Sheets



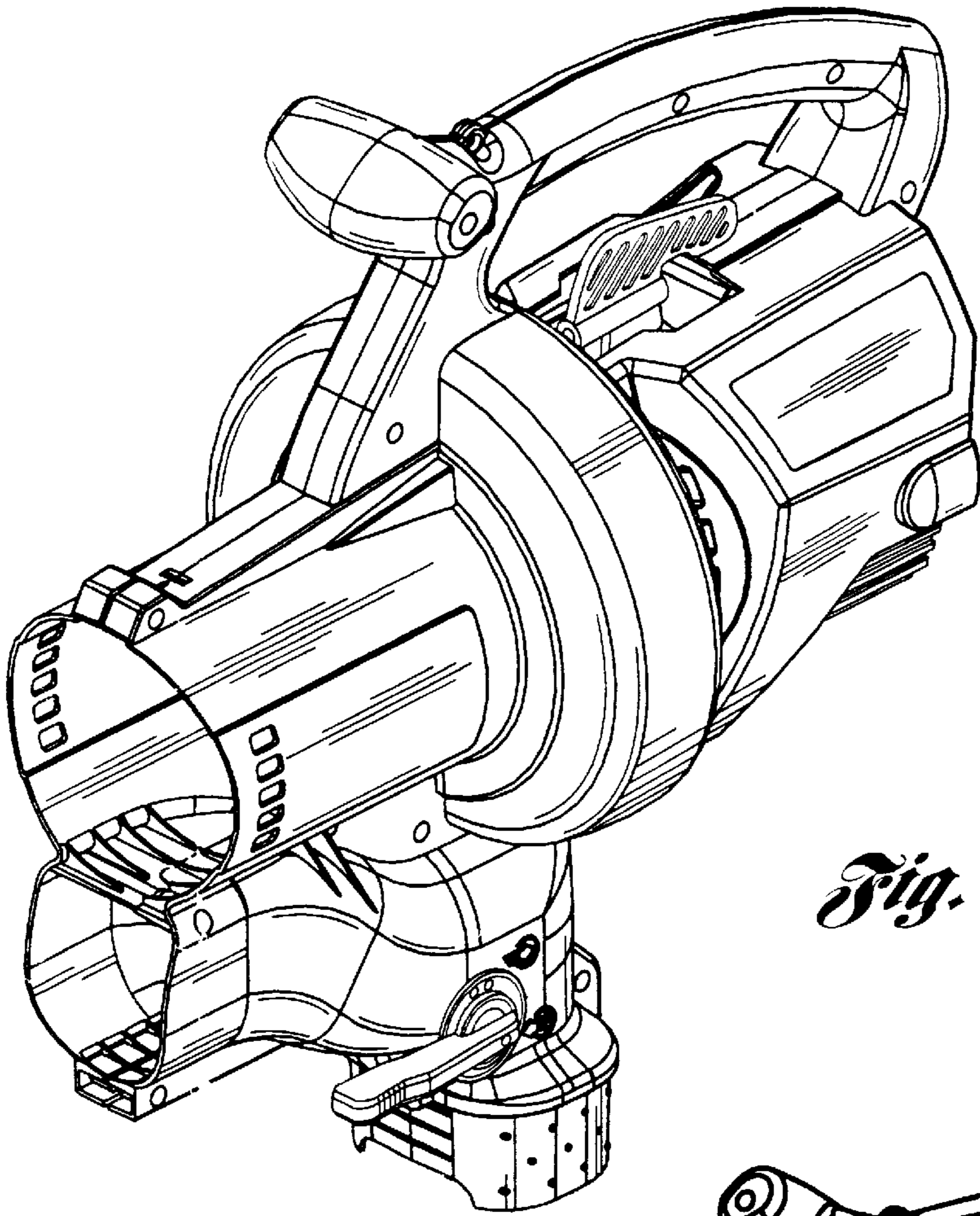


Fig. 1

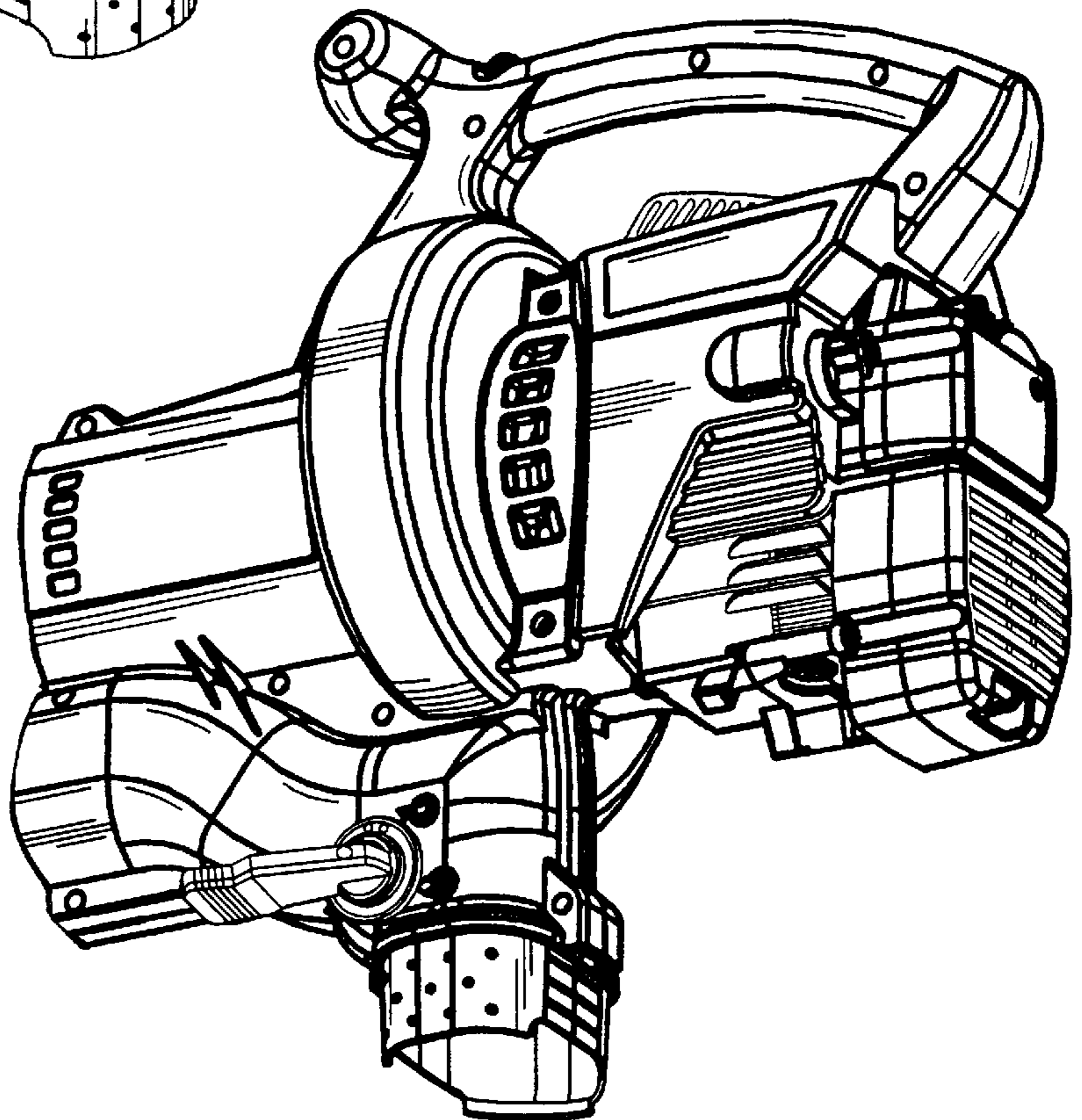


Fig. 2

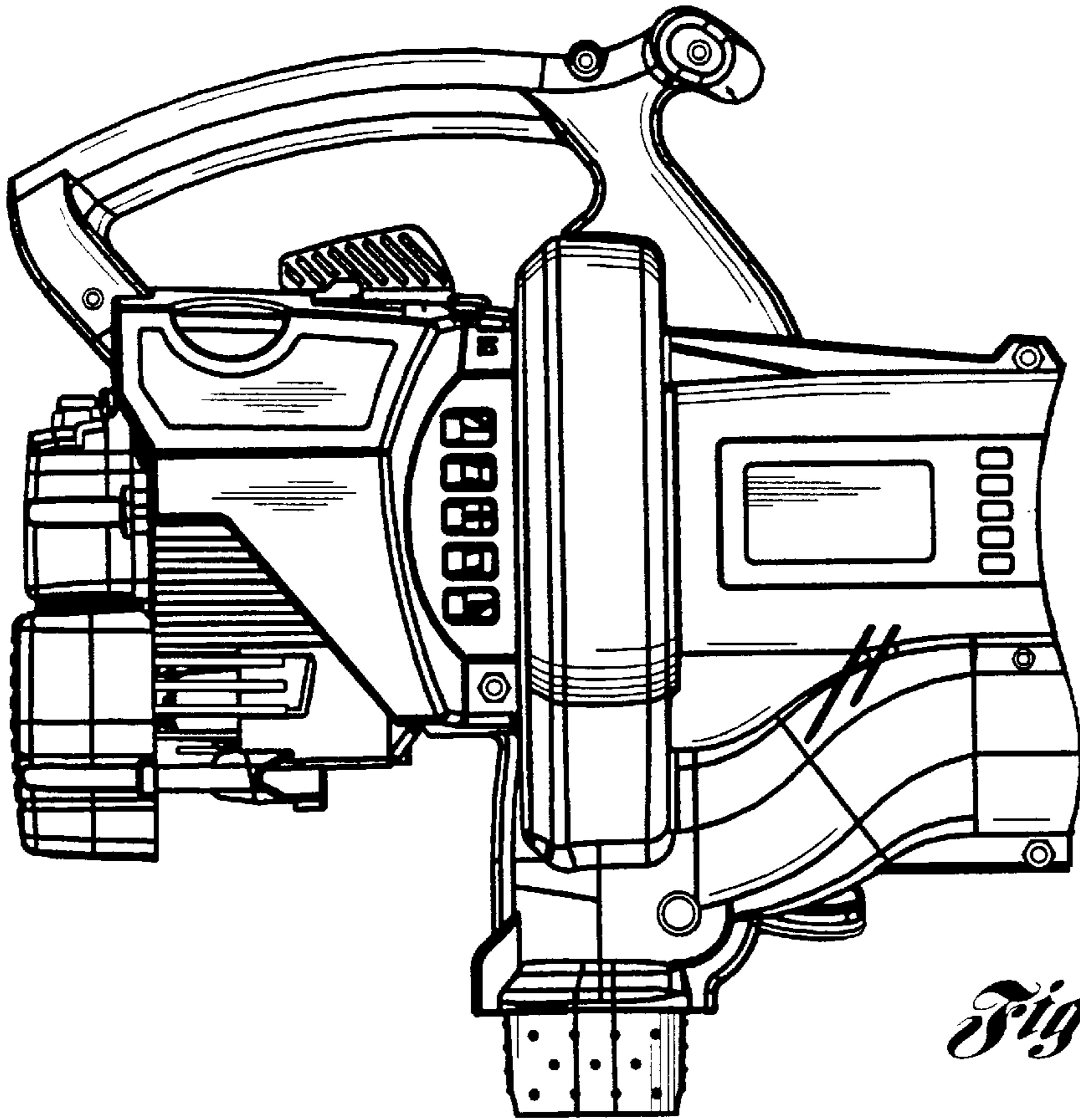


Fig. 3

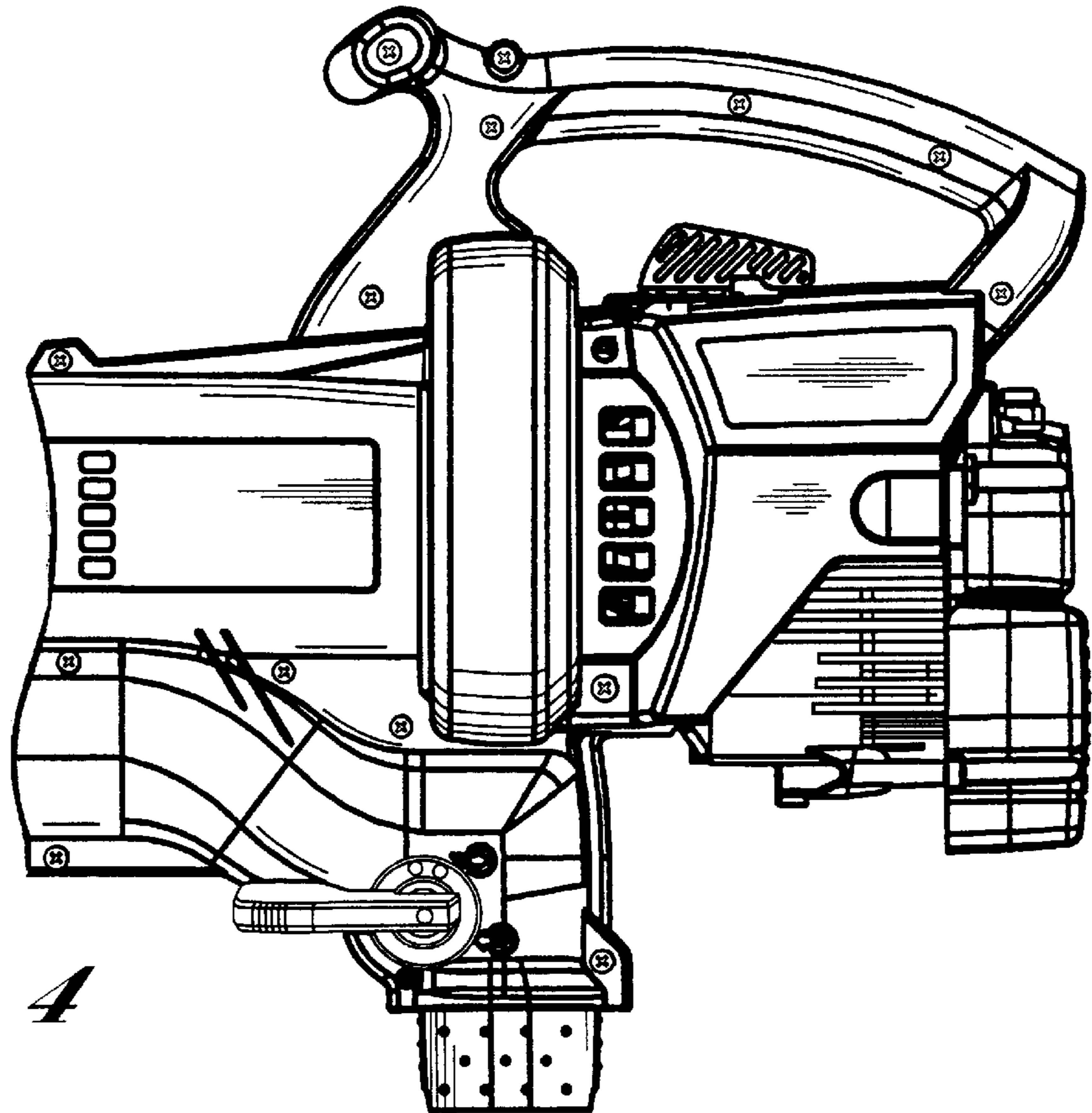


Fig. 4

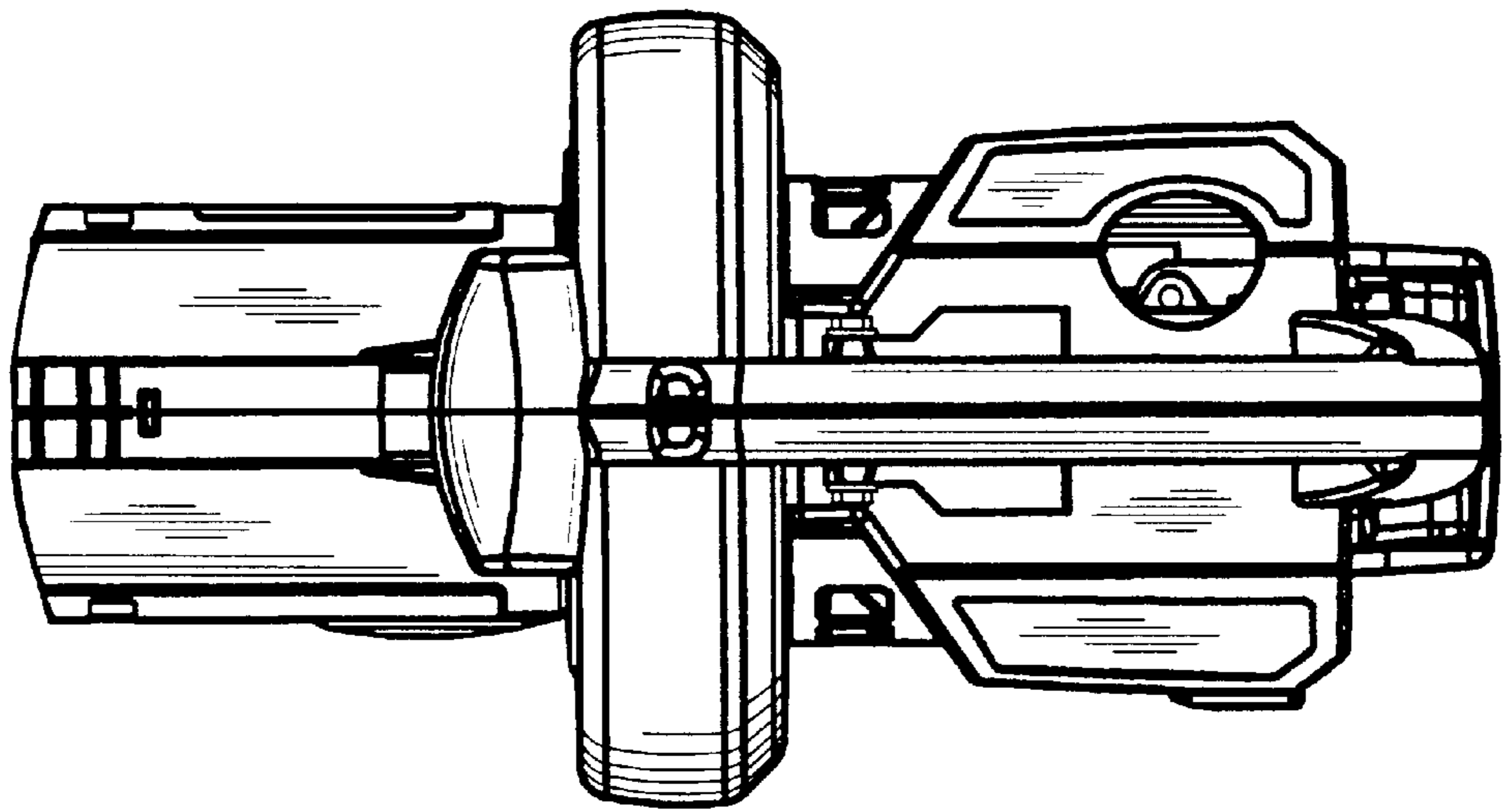


Fig. 5

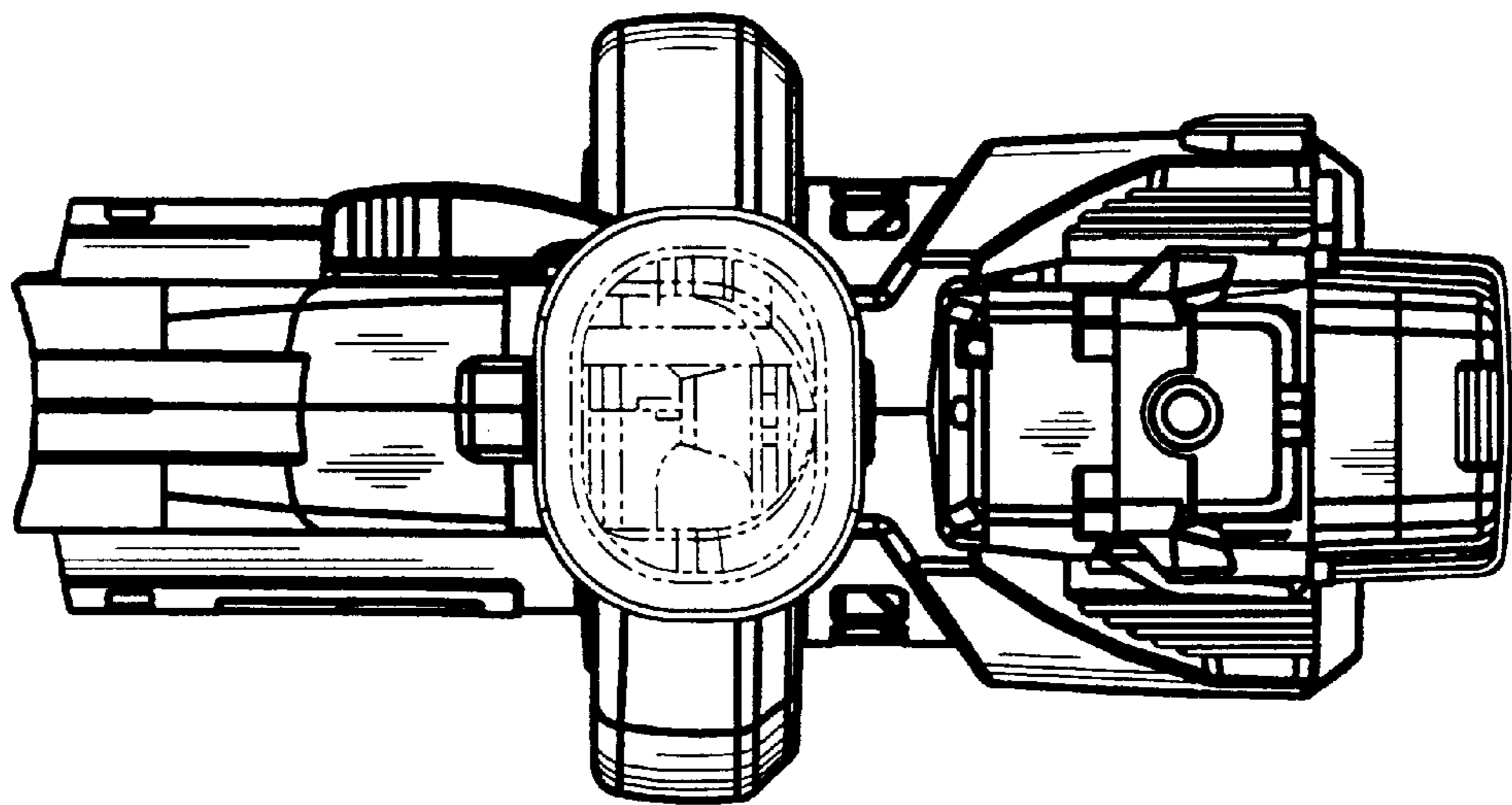


Fig. 6