



US00D426353S

United States Patent [19] Renforth

[11] **Patent Number: Des. 426,353**
[45] **Date of Patent: ** Jun. 6, 2000**

[54] **PET LITTER SCOOP**

[75] Inventor: **Jack Renforth**, Aurora, Colo.

[73] Assignee: **Aspen Pet Products, Inc.**, Denver, Colo.

[**] Term: **14 Years**

[21] Appl. No.: **29/100,282**

[22] Filed: **Feb. 8, 1999**

[51] **LOC (7) Cl.** **30-99**

[52] **U.S. Cl.** **D30/162**

[58] **Field of Search** D30/162; D8/10, D8/13; D7/686-687; 294/1.3, 1.4, 55, 99.2, 119; 119/858; 248/101

[56] **References Cited**

U.S. PATENT DOCUMENTS

D. 256,173	7/1980	Rigney	D30/162
D. 261,351	10/1981	Carper	D8/10
D. 309,700	8/1990	Goetz	D30/162
D. 314,254	1/1991	Gordon	D30/162
316,623	4/1885	Hooper	D30/162
D. 332,675	1/1993	Simon	D30/162

D. 347,497	5/1994	VanSkiver	D30/162
D. 360,714	7/1995	d'Alquen	D30/162
D. 409,804	5/1999	Nunes	D30/162
D. 416,359	11/1999	Schlueter	D30/162
5,076,627	12/1991	Simon	294/1.3
6,022,058	2/2000	O'Rourke	294/1.3

Primary Examiner—Cathy Anne MacCormac
Attorney, Agent, or Firm—Wolf, Greenfield & Sacks, P.C.

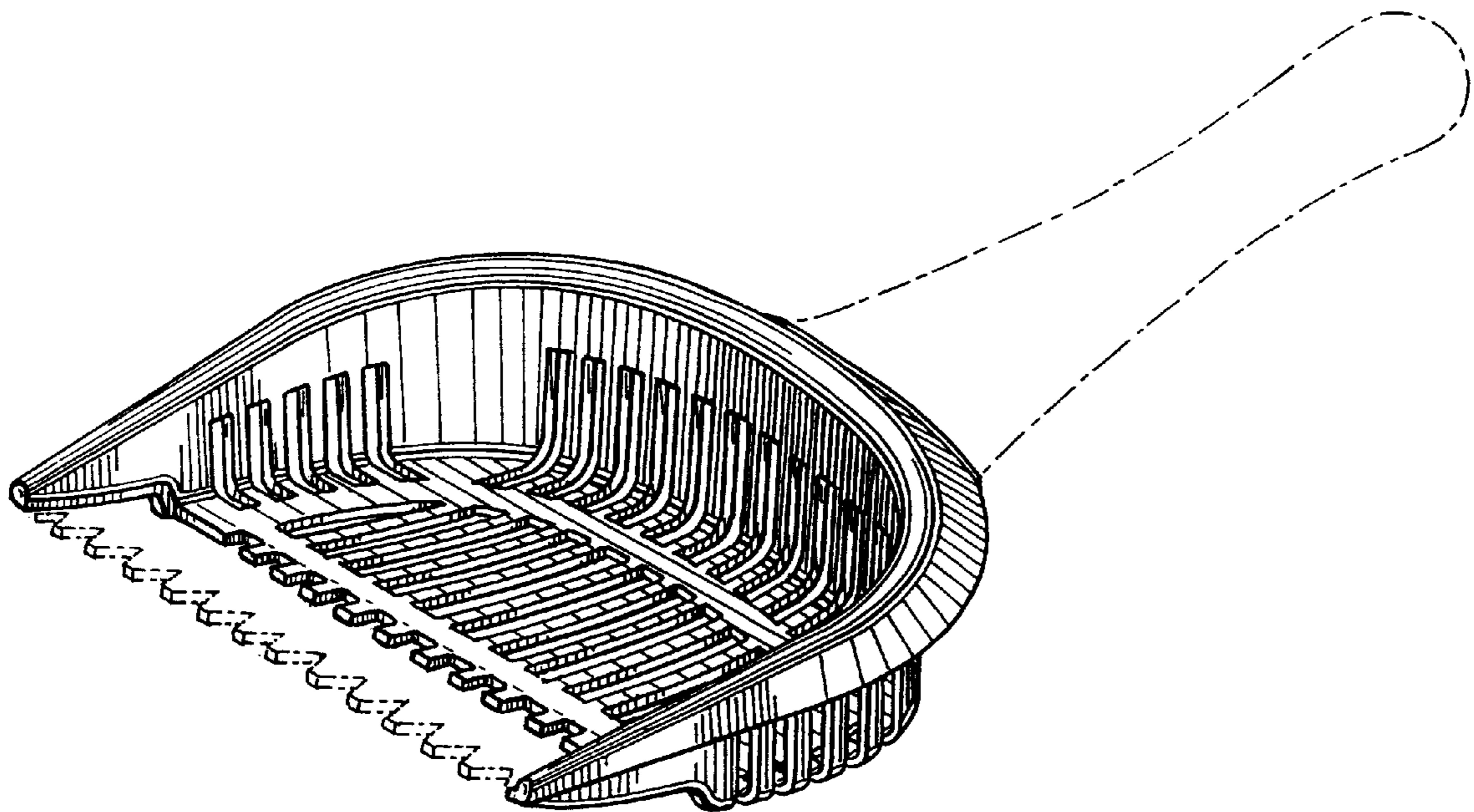
[57] **CLAIM**

The ornamental design for a pet litter scoop, as shown and described.

DESCRIPTION

FIG. 1 is a side, top, perspective view of the pet litter scoop with a rake portion and a handle portion shown in phantom. The portions shown in phantom are intended to show environment for, and form no part of, the claimed design. FIG. 2 is a top view thereof; FIG. 3 is a left-side view thereof, the right-side view thereof being a mirror image of the left-side view thereof; FIG. 4 is a front view thereof; FIG. 5 is a rear view thereof; and, FIG. 6 is a bottom view thereof.

1 Claim, 2 Drawing Sheets



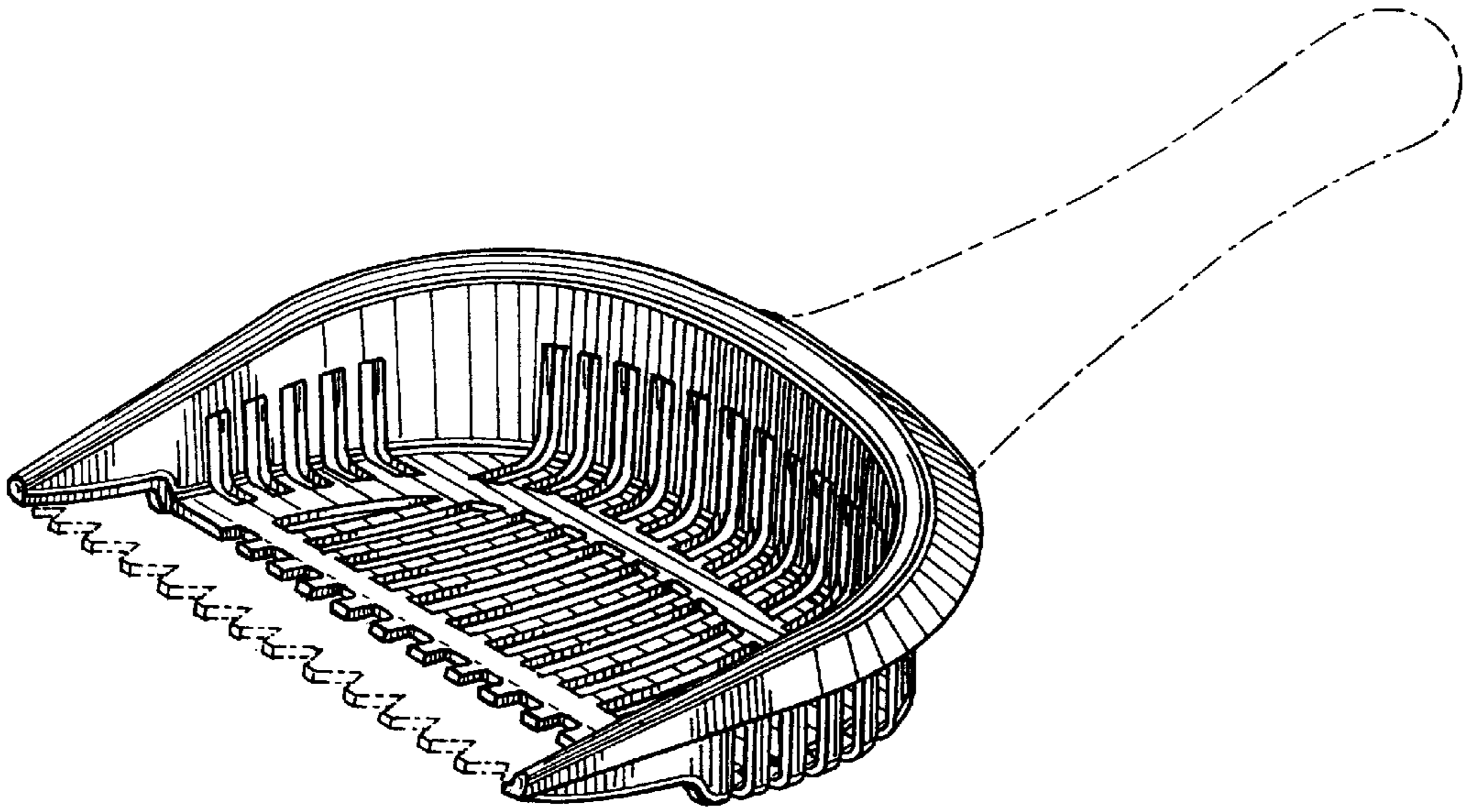


Fig. 1

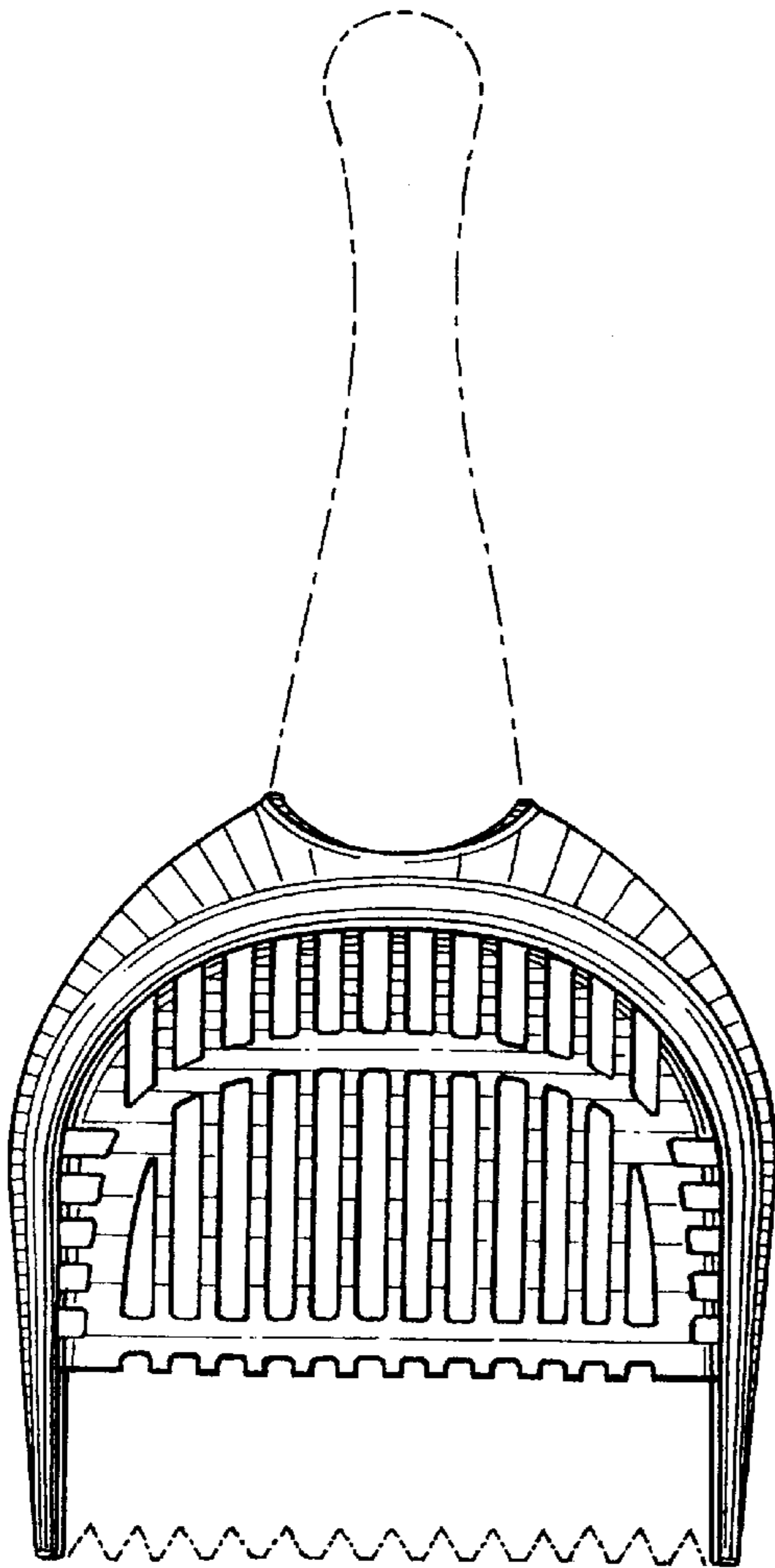


Fig. 2

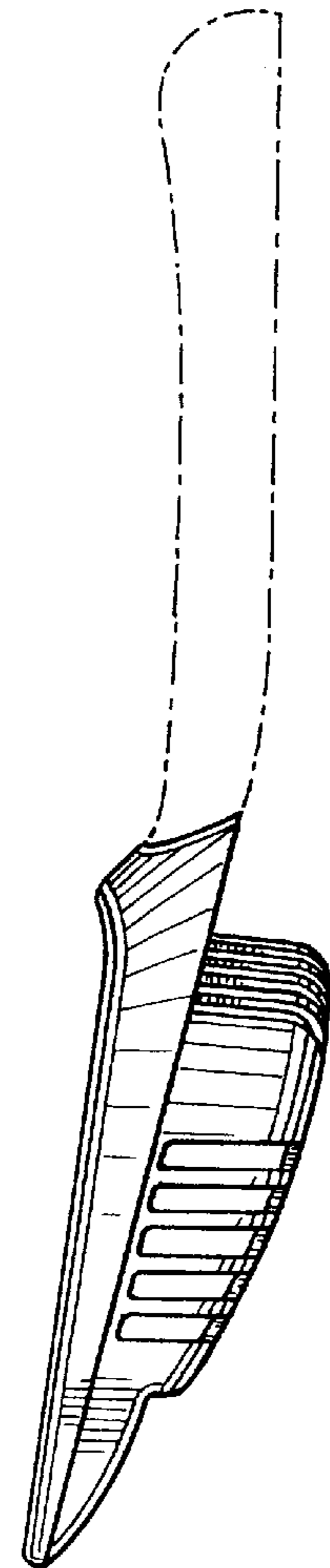


Fig. 3

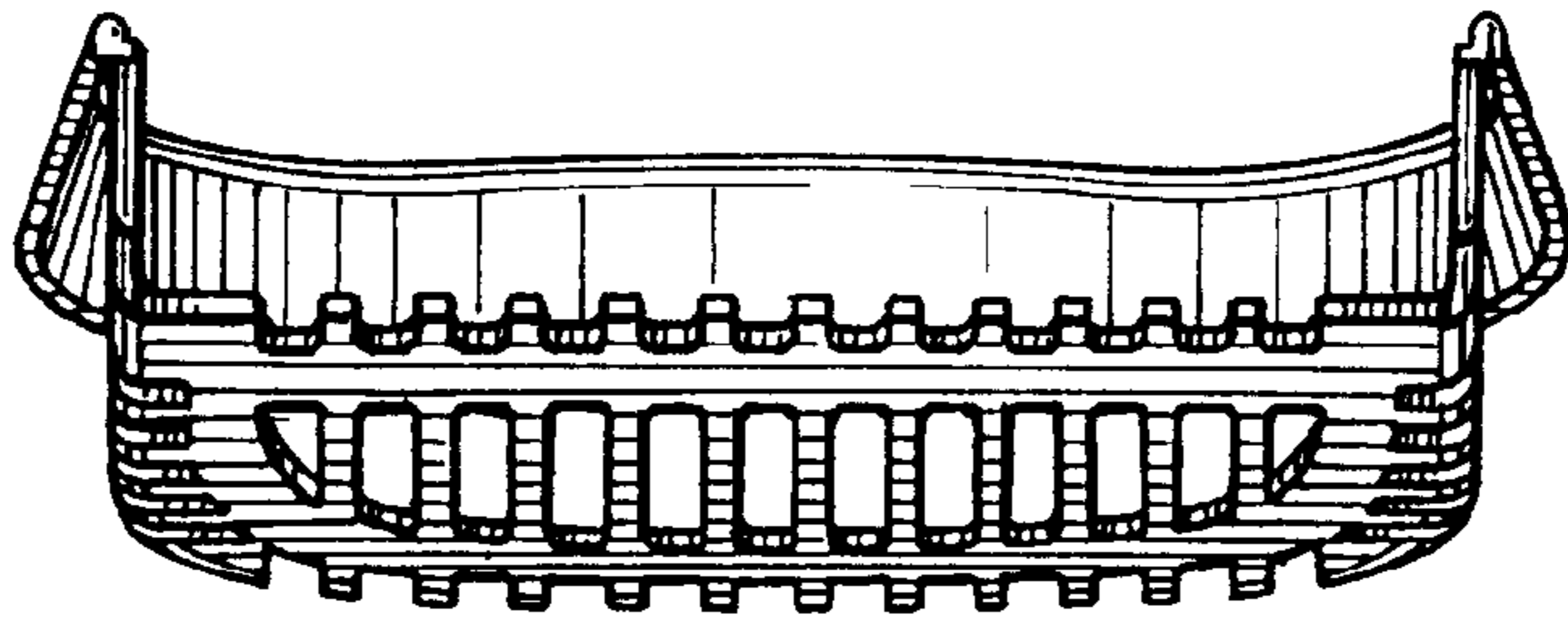


Fig. 4

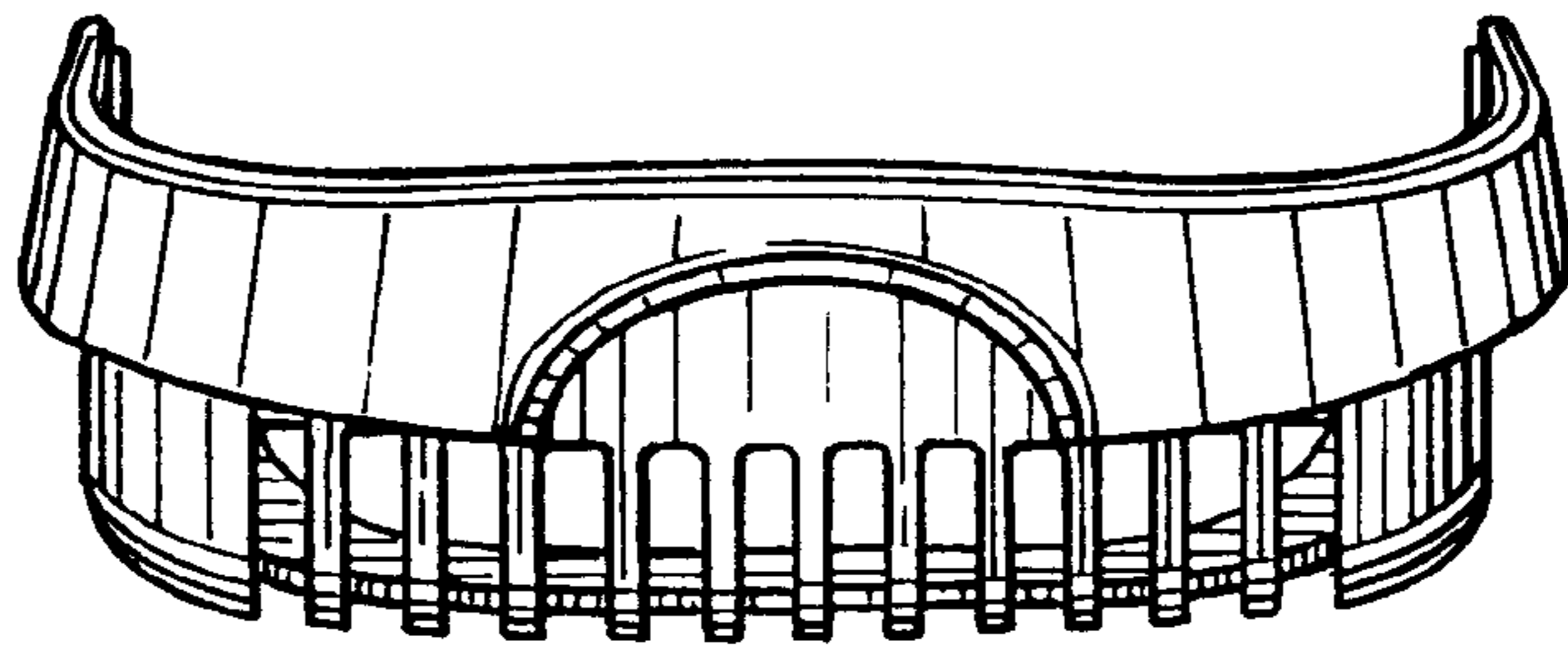


Fig. 5

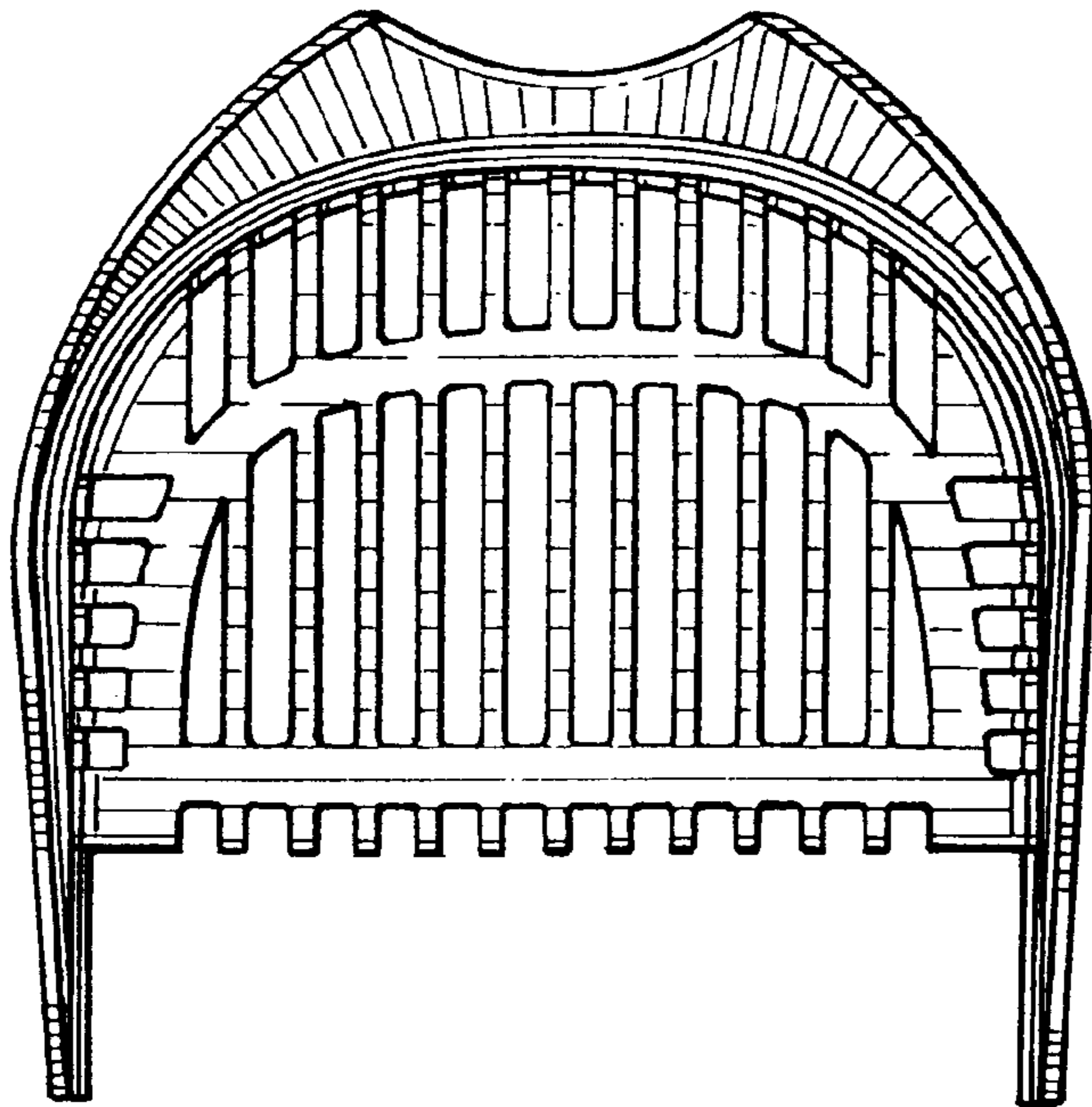


Fig. 6