



US00D426340S

# United States Patent [19]

Ewing et al.

[11] Patent Number: **Des. 426,340**

[45] Date of Patent: **\*\* Jun. 6, 2000**

[54] **SUSPENDED LUMINAIRE**

2,612,600 9/1952 Yonkers ..... 362/341

[75] Inventors: **Robert L. Ewing; Larry R. Armstrong**, both of Newark, Ohio

### OTHER PUBLICATIONS

Forecast Lighting catalog, Dec. 1993, p. 53, hanging lamp #5300-57.

[73] Assignee: **Holophane Corporation**, Newark, Ohio

*Primary Examiner*—Susan J. Lucas

[\*\*] Term: **14 Years**

### [57] CLAIM

[21] Appl. No.: **29/106,641**

The ornamental design for a suspended luminaire, as shown and described.

[22] Filed: **Jun. 18, 1999**

### DESCRIPTION

[51] **LOC (7) Cl.** ..... **26-05**

FIG. 1 is a perspective view of a first embodiment of our new design;

[52] **U.S. Cl.** ..... **D26/85**

FIG. 2 is a side elevational view of the first embodiment;

[58] **Field of Search** ..... D26/72, 85-91,  
D26/118; 362/404-408, 147, 341, 346,  
347, 349, 350, 353, 348

FIG. 3 is a top plan view of the first embodiment;

FIG. 4 is a bottom plan view of the first embodiment;

FIG. 5 is a perspective view of a second embodiment of our new design;

FIG. 6 is a side elevational view of the second embodiment;

FIG. 7 is a top plan view of the second embodiment; and,

FIG. 8 is a bottom plan view of the second embodiment.

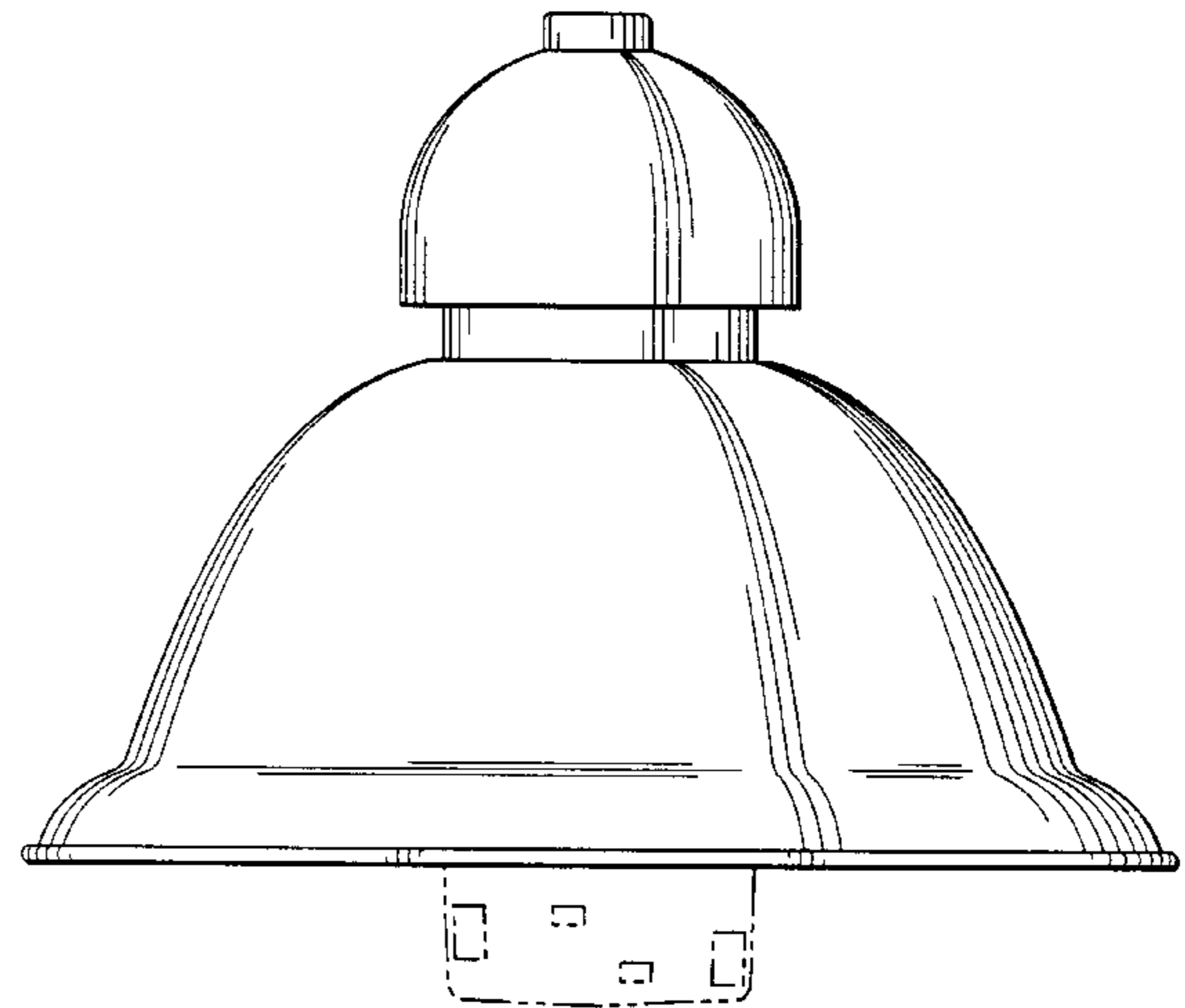
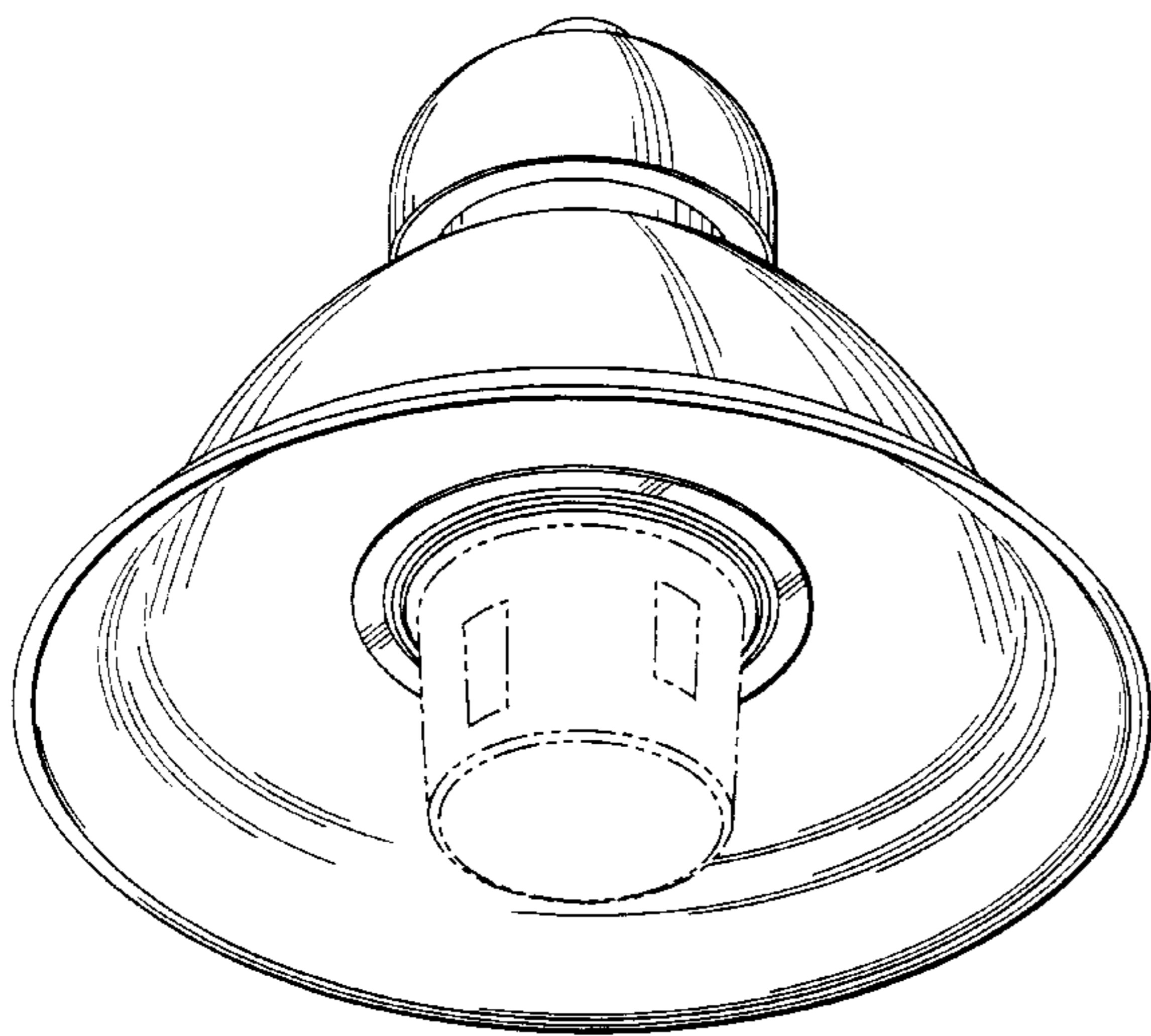
The broken lines are shown for illustrative purposes only and form no part of the claimed design.

### [56] References Cited

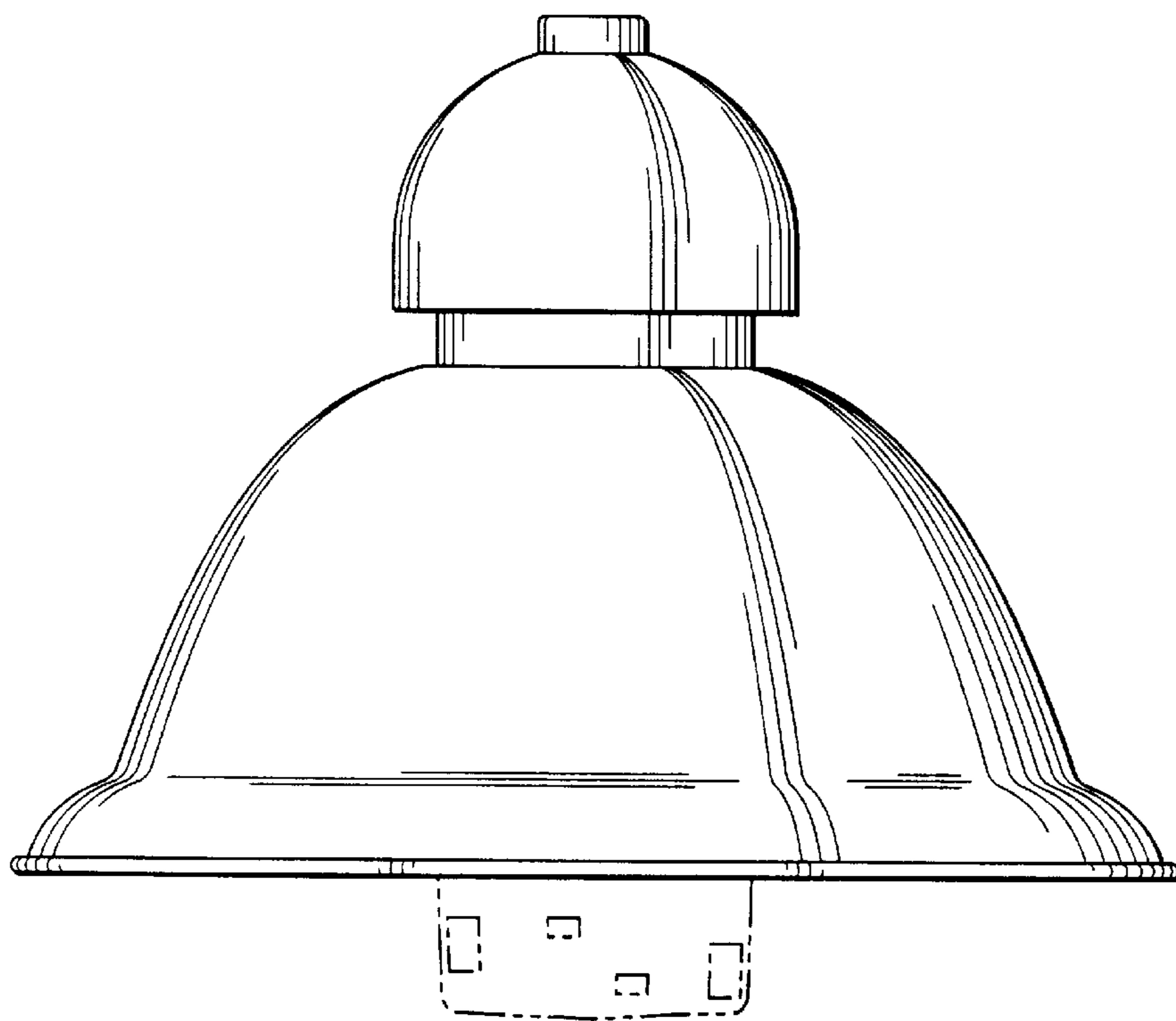
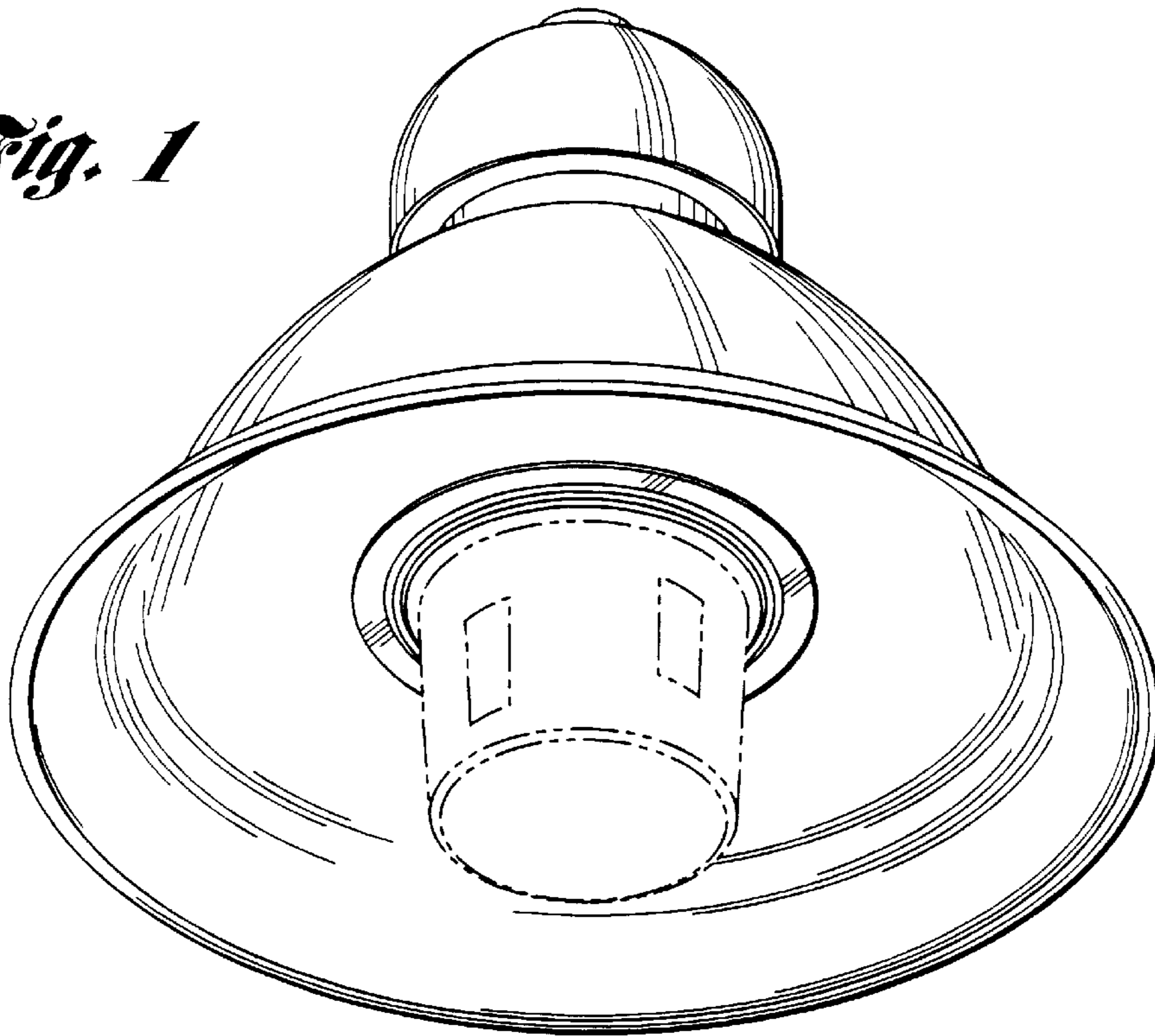
#### U.S. PATENT DOCUMENTS

D. 294,871	3/1988	Ewing et al.	.....	D26/85
D. 307,642	5/1990	DiCola	.....	D26/85
D. 330,947	11/1992	Donato	.....	D26/85
1,442,470	1/1923	Doyle	.....	362/341
1,918,828	7/1933	Arras et al.	.....	362/341
2,138,635	11/1938	Hoeverler	.....	362/364

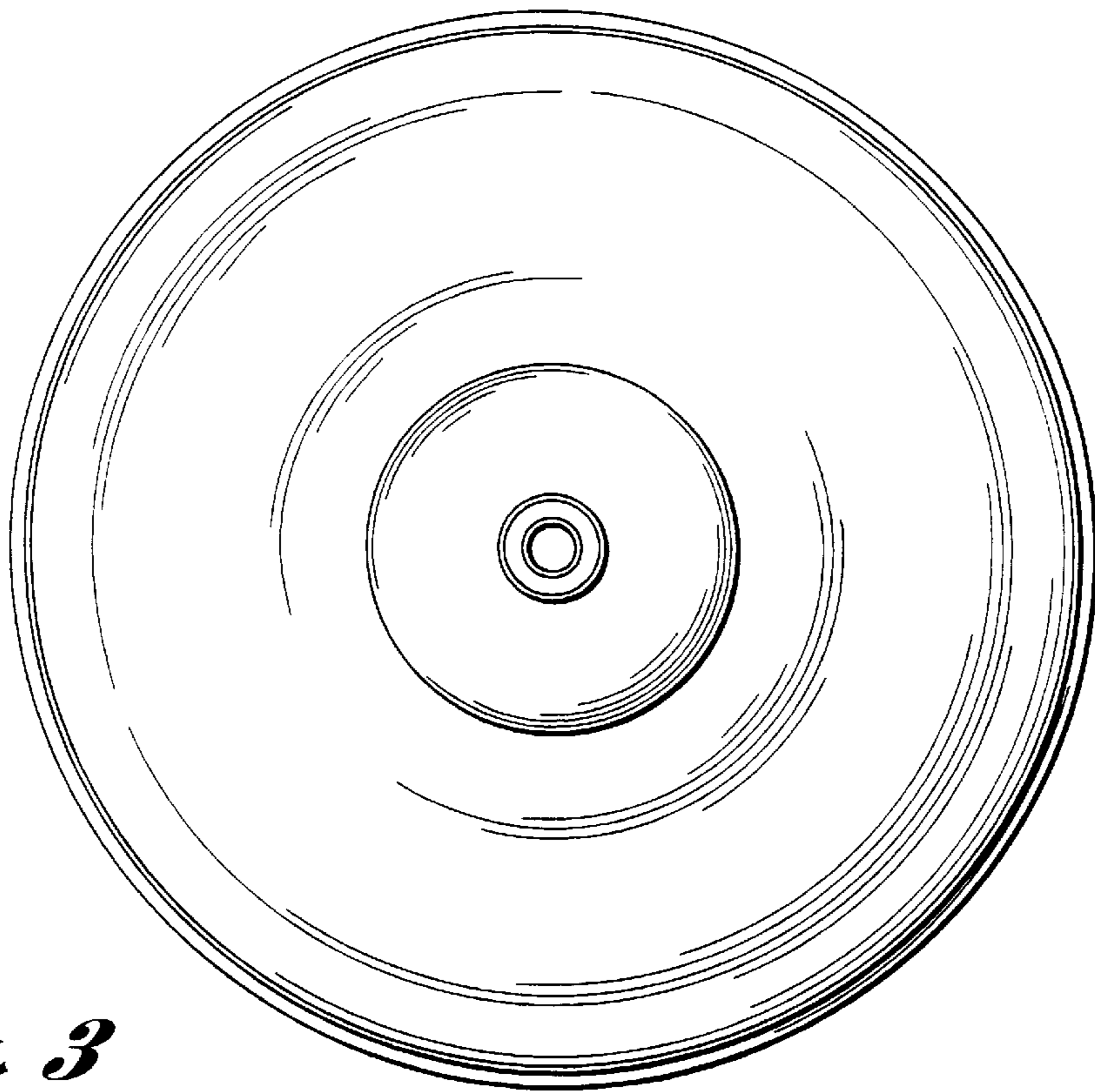
**1 Claim, 4 Drawing Sheets**



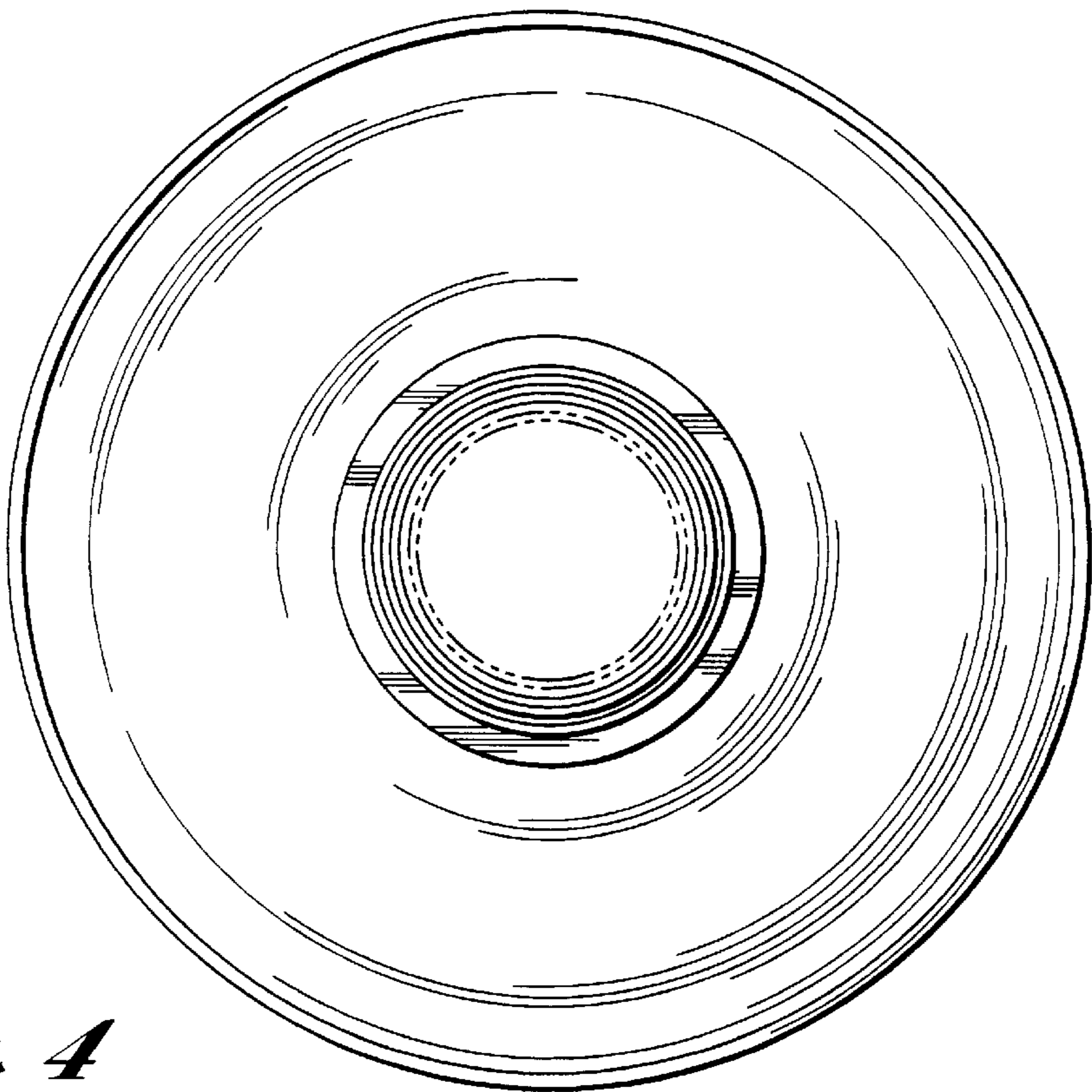
*Fig. 1*



*Fig. 2*

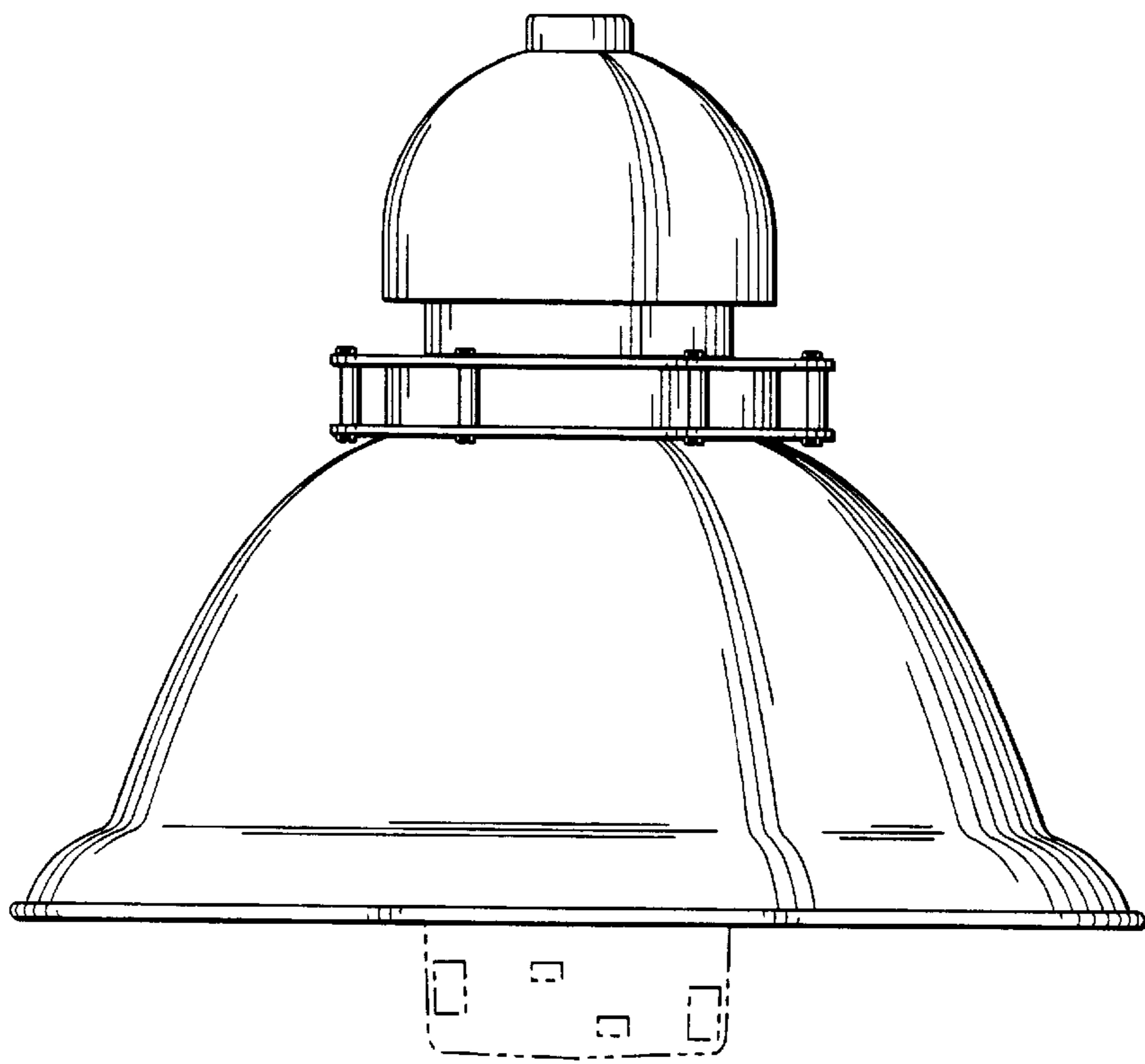
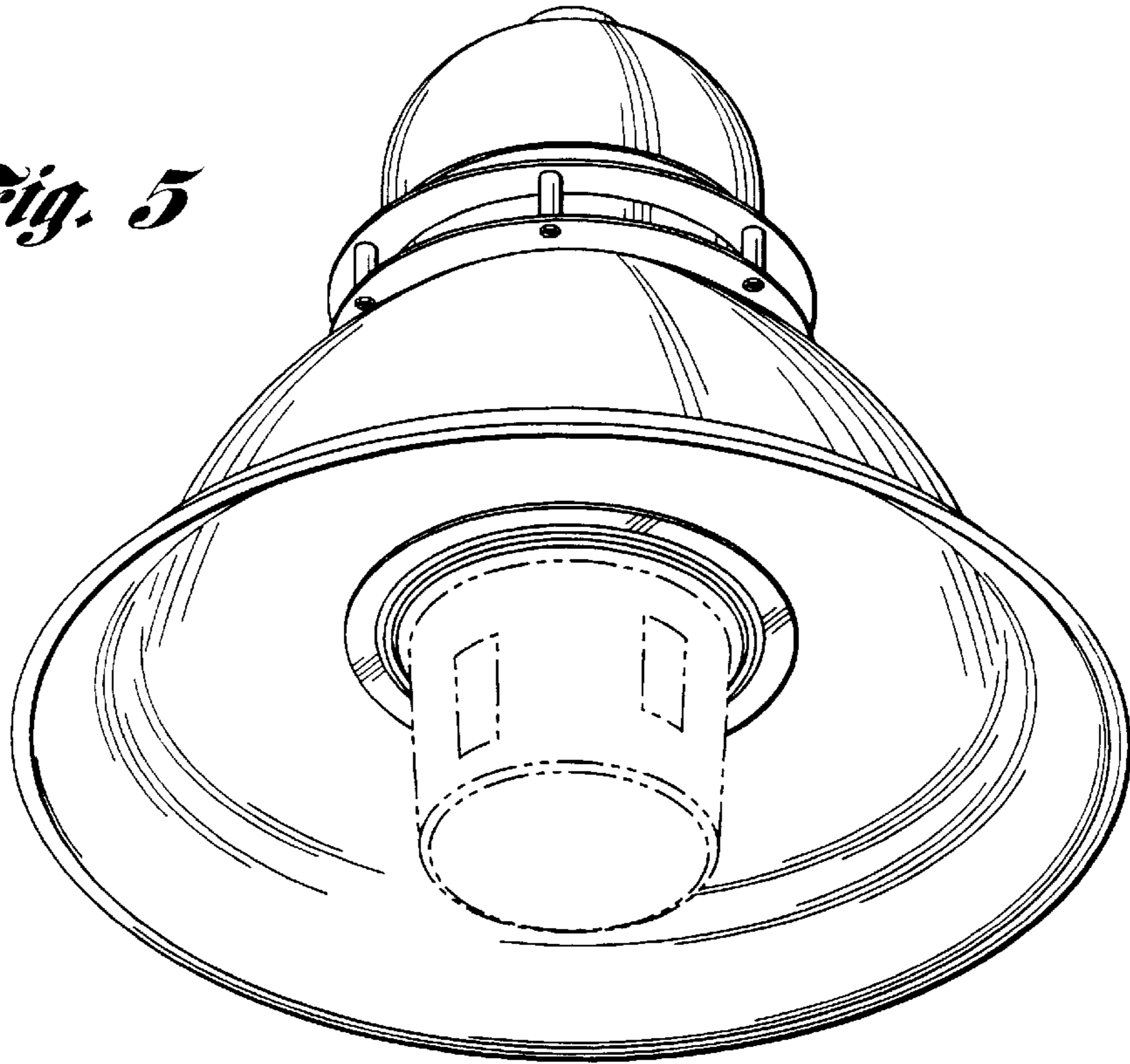


*Fig. 3*

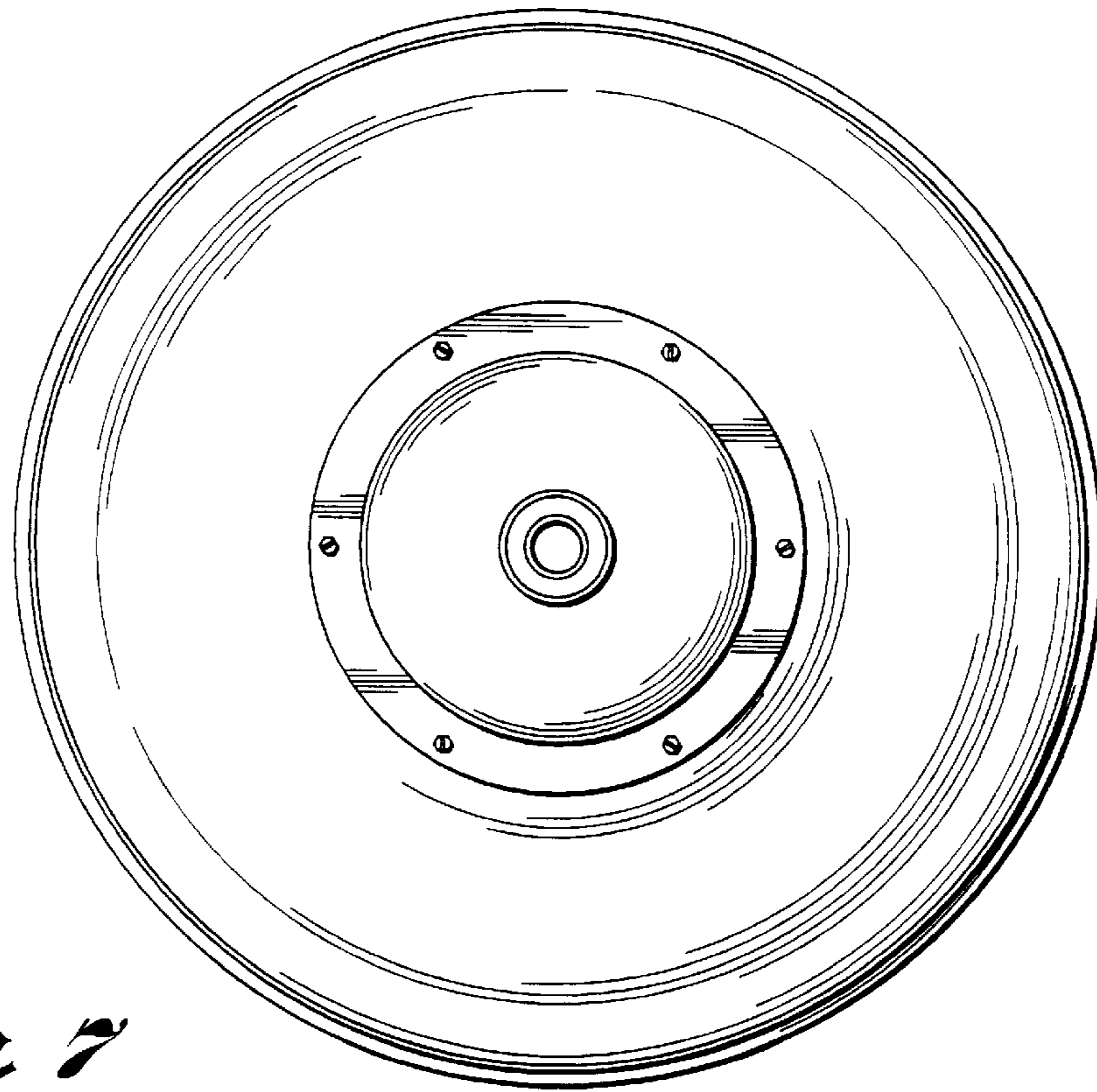


*Fig. 4*

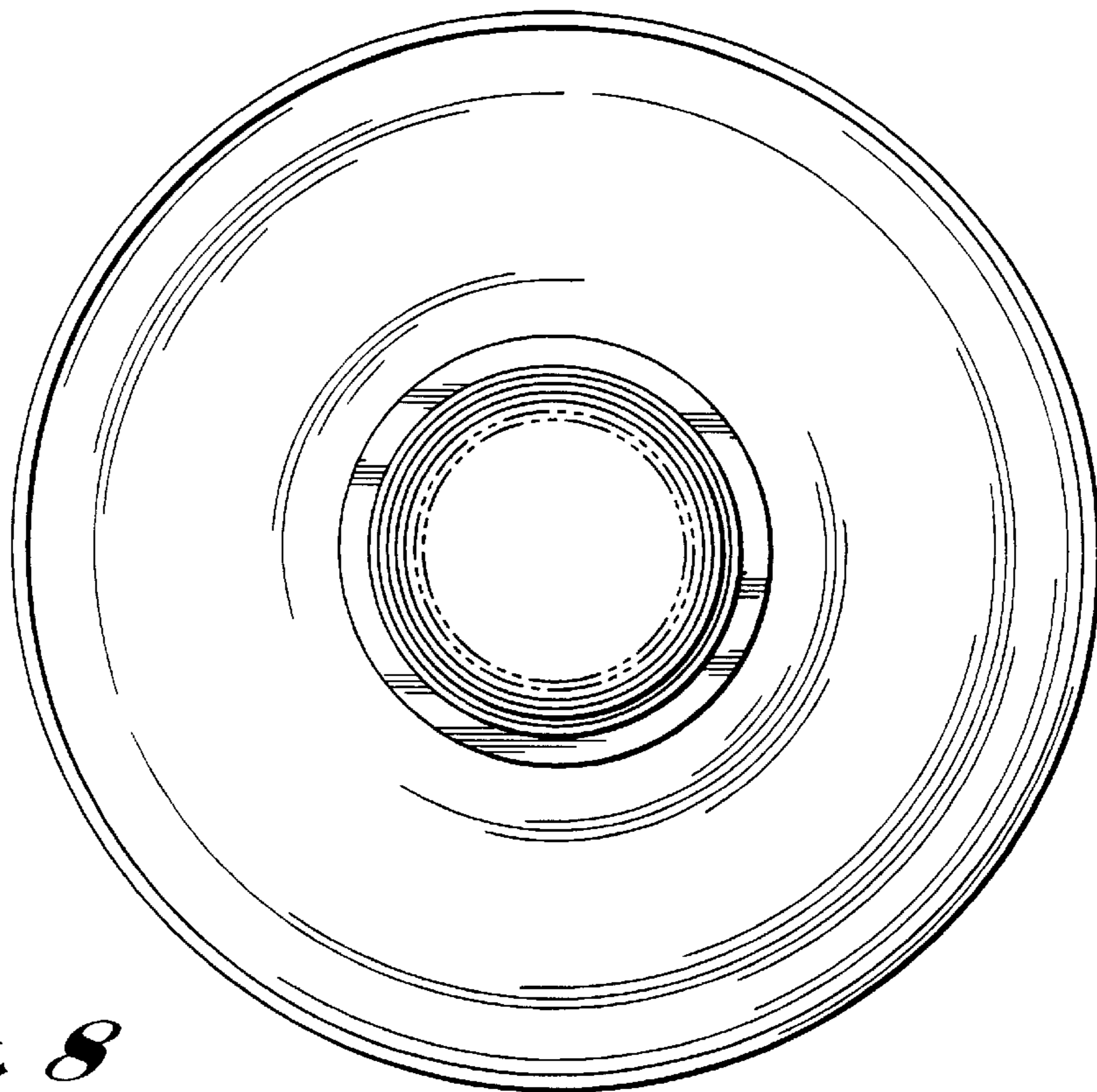
*Fig. 5*



*Fig. 6*



*Fig. 7*



*Fig. 8*