



US00D426338S

United States Patent [19]

Herst et al.

[11] **Patent Number: Des. 426,338**

[45] **Date of Patent: ** Jun. 6, 2000**

[54] **HOUSING FOR MOSTLY INDIRECT LUMINAIRE**

[75] Inventors: **Douglas J. Herst, Ross; Utkan Salman**, Oakland, both of Calif.

[73] Assignee: **NSI Enterprises, Inc.**, Atlanta, Ga.

[**] Term: **14 Years**

[21] Appl. No.: **29/078,689**

[22] Filed: **Oct. 30, 1997**

[51] **LOC (7) Cl.** **26-05**

[52] **U.S. Cl.** **D26/75**

[58] **Field of Search** D26/75-79, 72, D26/122; 362/147, 217, 222, 223, 225, 292, 341, 346, 347, 224

[56] **References Cited**

U.S. PATENT DOCUMENTS

D. 318,929 8/1991 Herst et al. .

OTHER PUBLICATIONS

“Envision 8 1/2x4 Rounded V Indirect”, Peerless Lighting Corporation brochure, 1995.

U.S. application No. 29/078,693, Herst et al., filed Oct. 30, 1997.

U.S. application No. 29/078,691, Herst et al., filed Oct. 30, 1997.

U.S. application No. 29/078,690, Herst et al., filed Oct. 30, 1997.

Peerless Product Brochure, Envision, 1994.

Peerless Product Brochure, 10"x3/58" Rounded Systems, 1993.

Peerless Product Brochure, 2 3/4x2 1/2 Rectangular, 1996.
Linear Lighting Product Brochures, Trilite 49, Mar. 1995.
LiteControl Product Brochure, Via Pendant Indirect, 1991.
Ledalite Product Brochure, Vector Ergoline, 1992.
Precision Architectural Lighting (PAL) Product Brochure, AV900 “V” Series, 1992.
LAM Product Brochure, Litewedge Indirect, 1985.
National Lighting Product Brochure, RV9 Series, undated.

Primary Examiner—Susan J. Lucas

Attorney, Agent, or Firm—Donald L. Beeson

[57] **CLAIM**

The ornamental design for a housing for a mostly indirect luminaire, as shown and described.

DESCRIPTION

FIG. 1 is a broken away bottom prospective view of a housing for a mostly indirect luminaire in accordance with our new design;

FIG. 2 is a broken away bottom plan view thereof;

FIG. 3 is a broken away front elevational view thereof, the rear being a mirror image thereof;

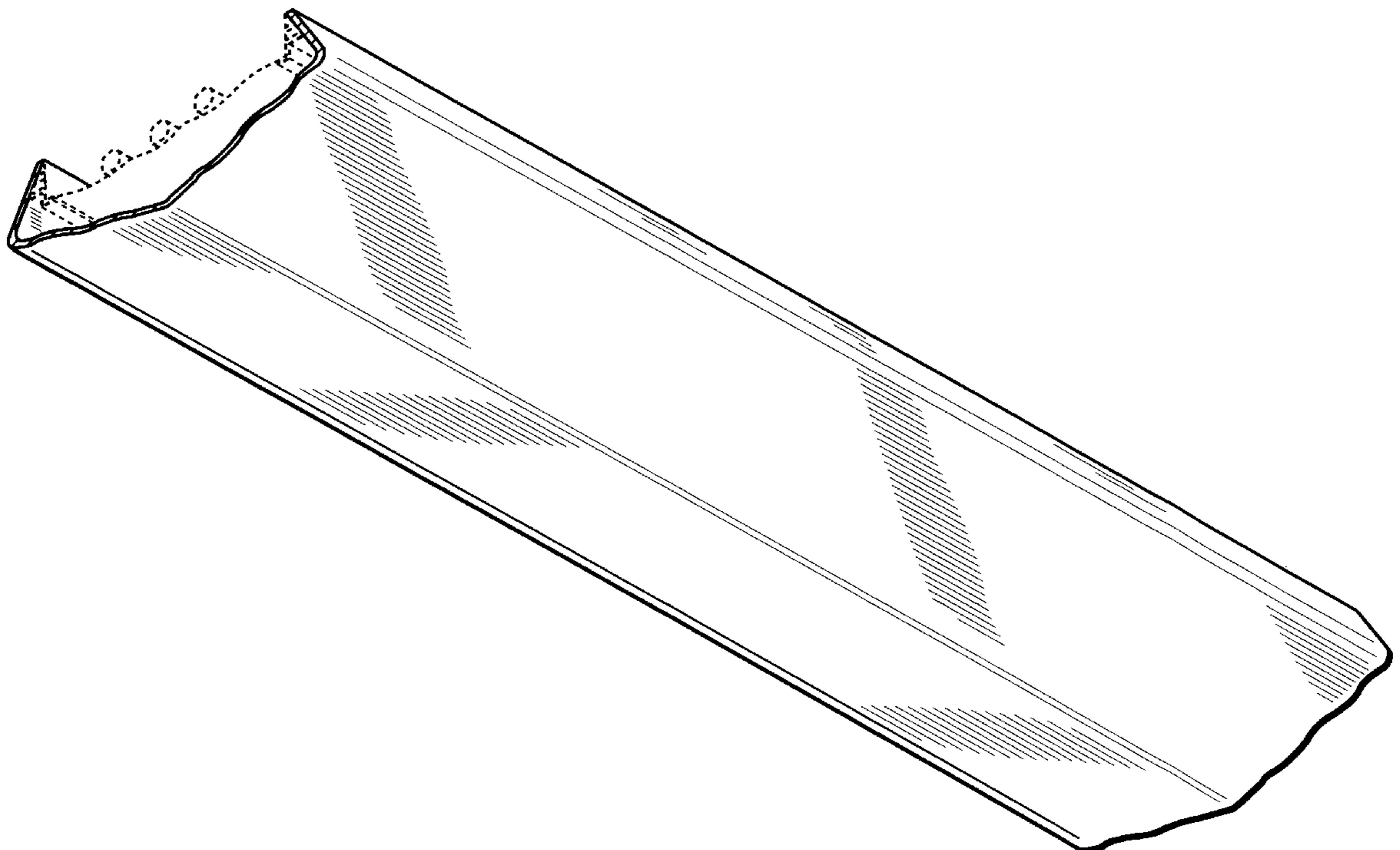
FIG. 4 is a broken away top plan view thereof; and,

FIG. 5 is an enlarged cross-sectional view thereof taken along lines 5—5 in FIG. 3 and illustrates uniform cross-sectional shape.

FIGS. 1-4 are broken away to indicate indeterminate length. The broken lines are shown in FIG. 1 for illustrative purposes only and indicate the nature and use of our new design and form no part of the claimed design.

A characteristic feature of the design resides in the bottom of the luminaire housing being opaque, rather than transparent or translucent.

1 Claim, 3 Drawing Sheets



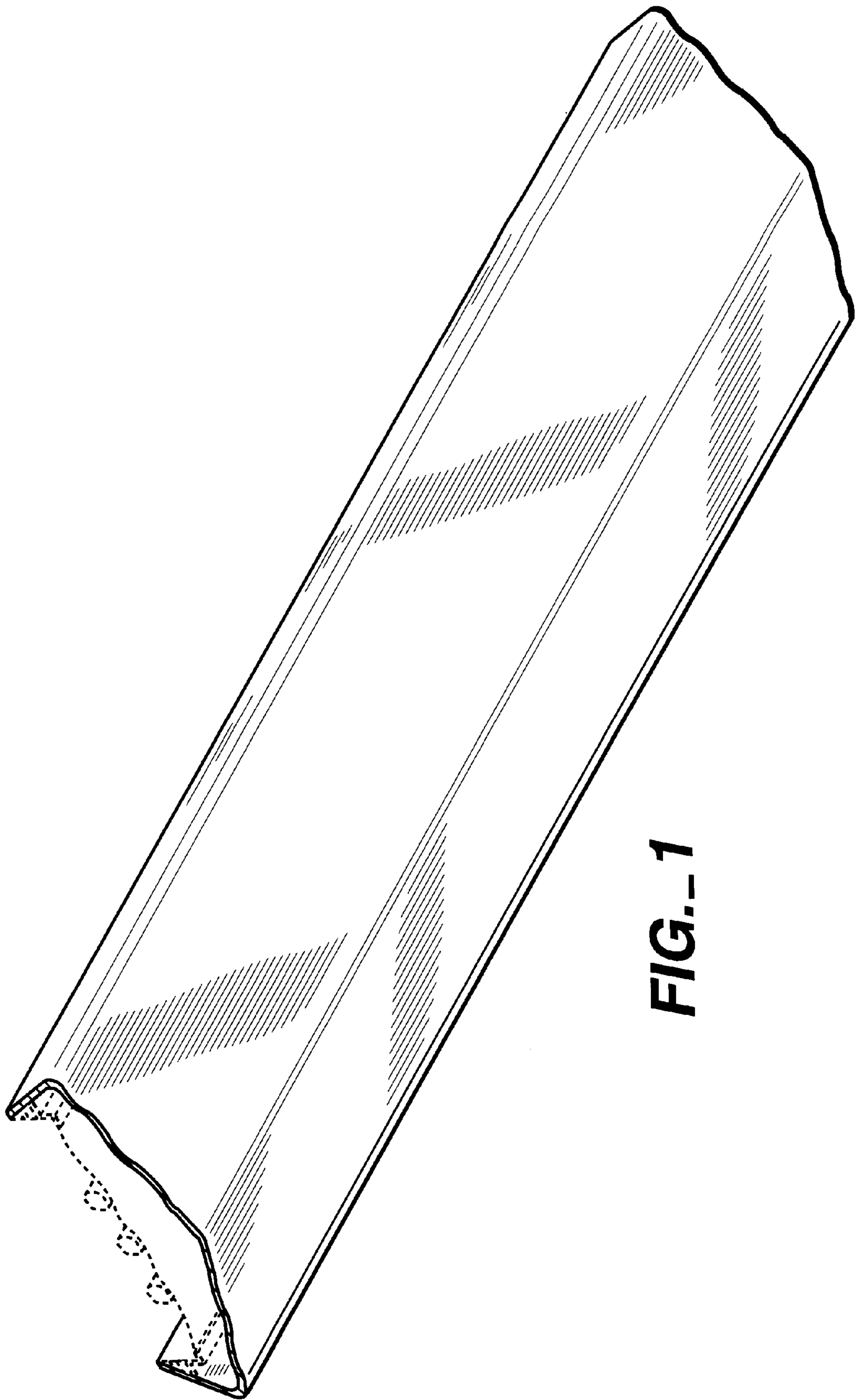


FIG. 1

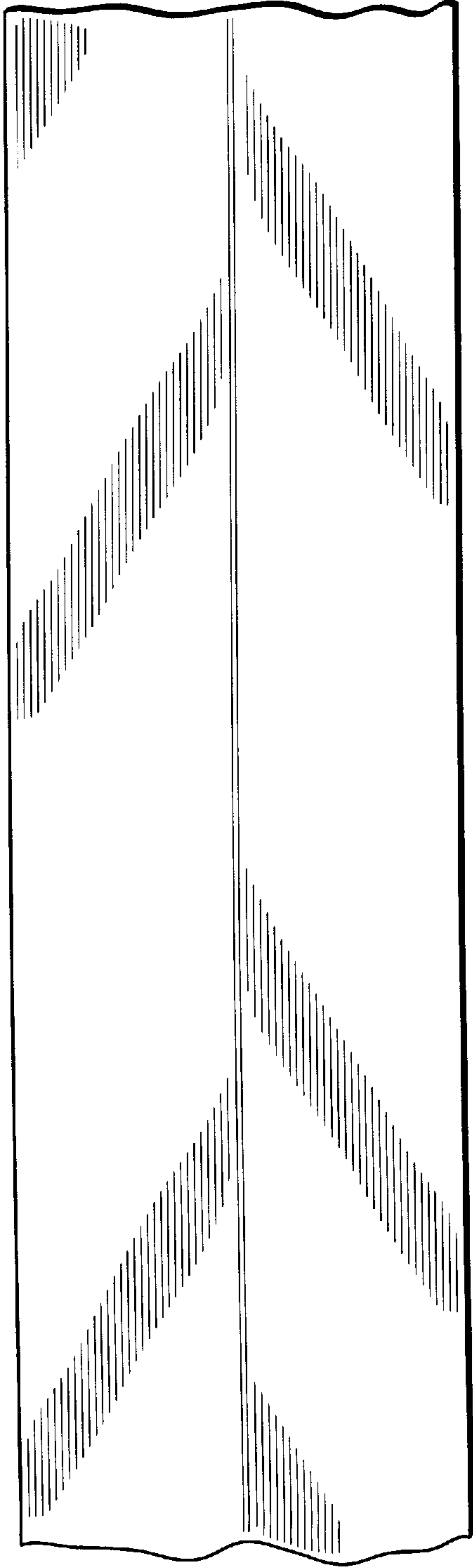


FIG. 2

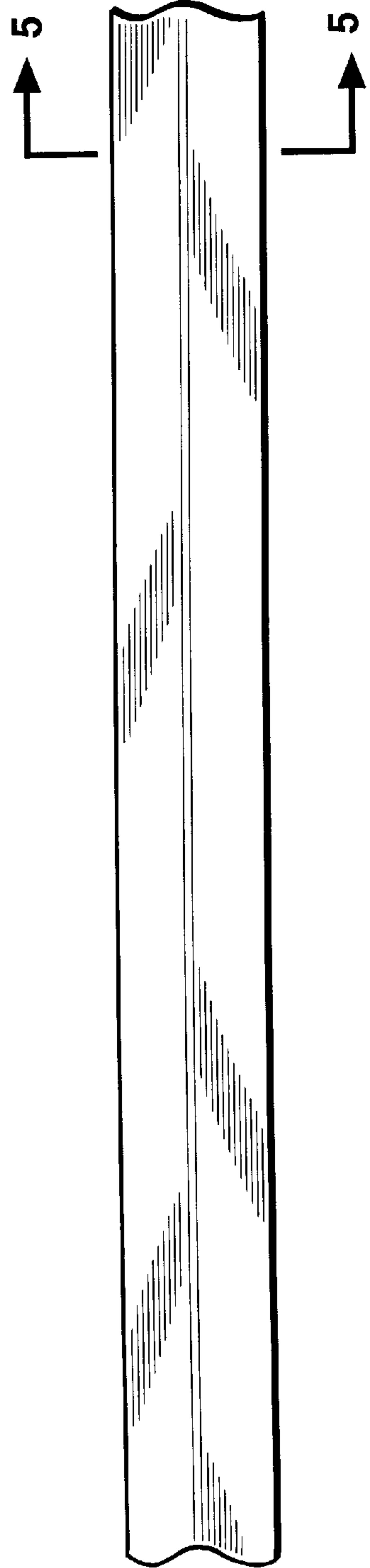


FIG. 3

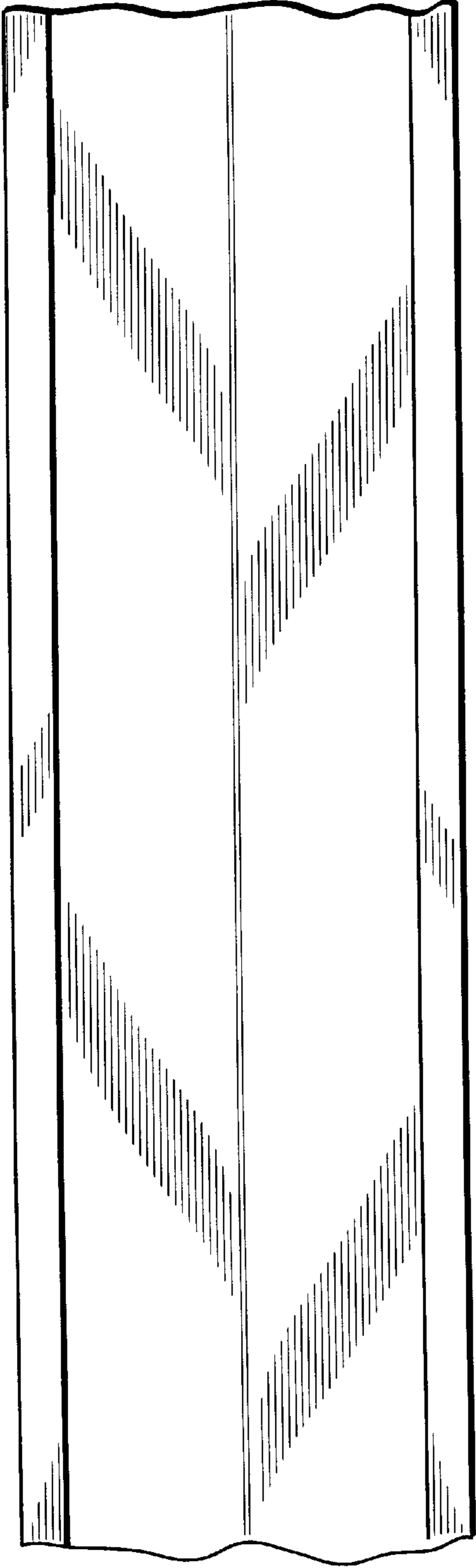


FIG. 4

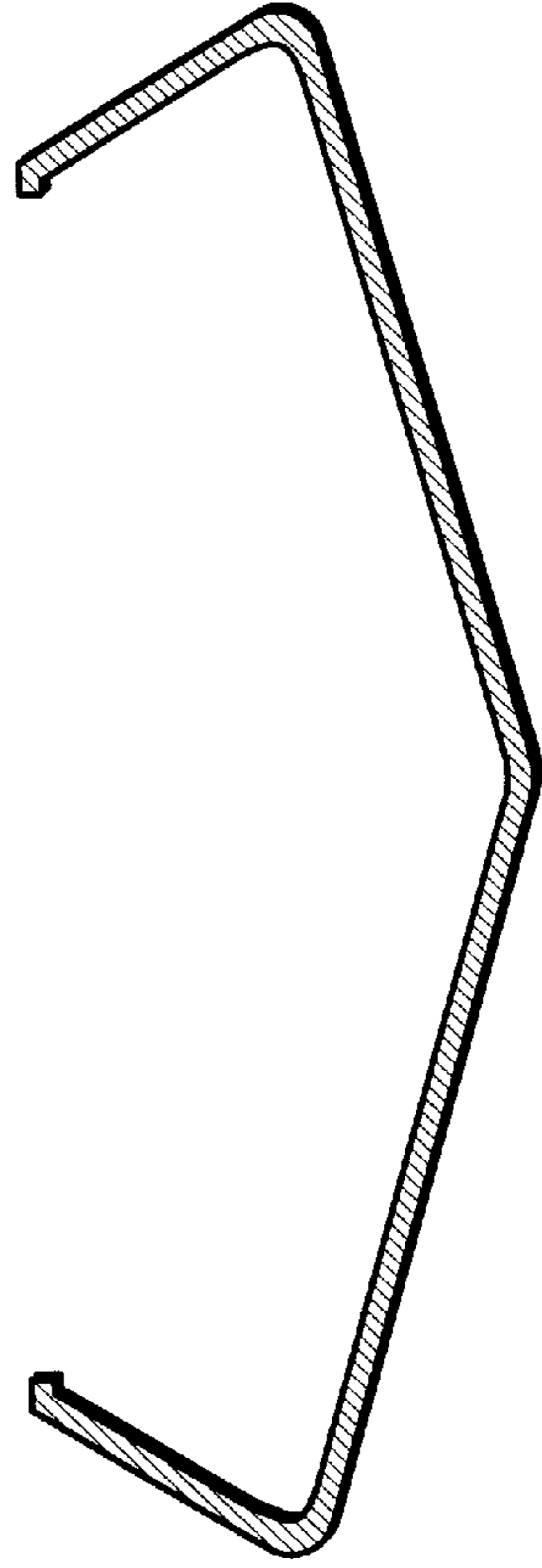


FIG. 5