



US00D426337S

United States Patent [19]

Swanson

[11] **Patent Number: Des. 426,337**

[45] **Date of Patent: ** Jun. 6, 2000**

[54] **DESK LAMP HAVING ADJUSTABLE TASK LIGHTS AND GENERAL AREA LIGHTING**

[75] Inventor: **Dennis K. Swanson**, Woodland Hills, Calif.

[73] Assignee: **Pacific Coast Lighting**, Chatsworth, Calif.

[**] Term: **14 Years**

[21] Appl. No.: **29/102,064**

[22] Filed: **Mar. 16, 1999**

[51] **LOC (7) Cl.** **26-05**

[52] **U.S. Cl.** **D26/65**

[58] **Field of Search** D26/93, 102-112, D26/63, 61, 65; 362/410-414, 269, 277, 287, 418, 419, 427

[56] **References Cited**

U.S. PATENT DOCUMENTS

D. 403,456 12/1998 Huang D26/63 X

OTHER PUBLICATIONS

Design Selection, May/June, 1987, p. 39, Thorn Lighting floor lamp.

Home Lighting and Accessories, Apr. 1996, p. 82, floor lamp, top, left.

Primary Examiner—Susan J. Lucas
Attorney, Agent, or Firm—Fulbright & Jaworski L.L.P.

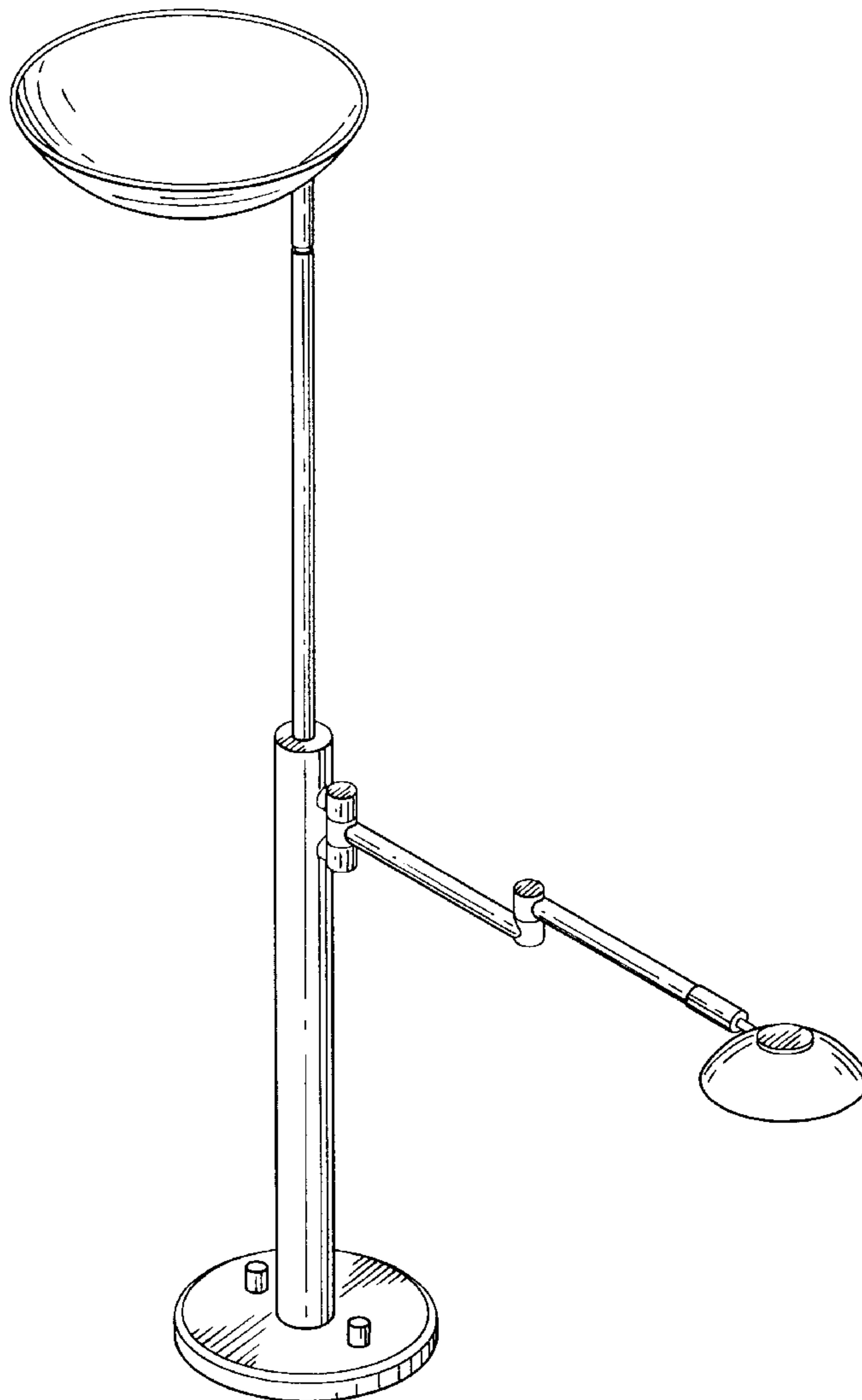
[57] **CLAIM**

The ornamental design of a desk lamp having adjustable task lights and general area lighting, as shown and described.

DESCRIPTION

FIG. 1 is a perspective view of a desk lamp having adjustable task lights and general area lighting of my invention; FIG. 2 is a front elevational view thereof; FIG. 3 is a rear elevational view thereof; FIG. 4 is a top plan view thereof; FIG. 5 is a right elevational view thereof; and, FIG. 6 is a left elevational view thereof.

1 Claim, 3 Drawing Sheets



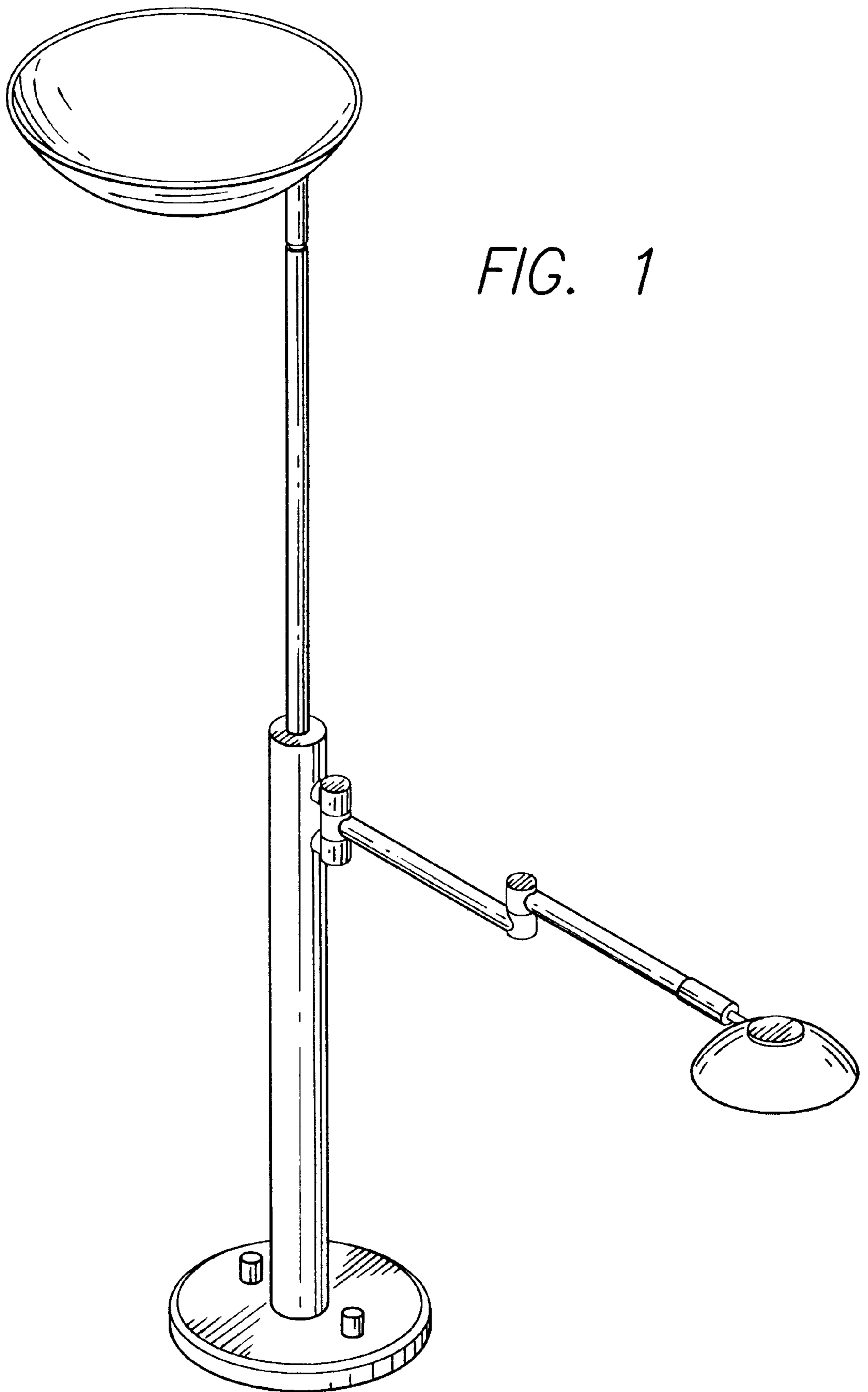


FIG. 1

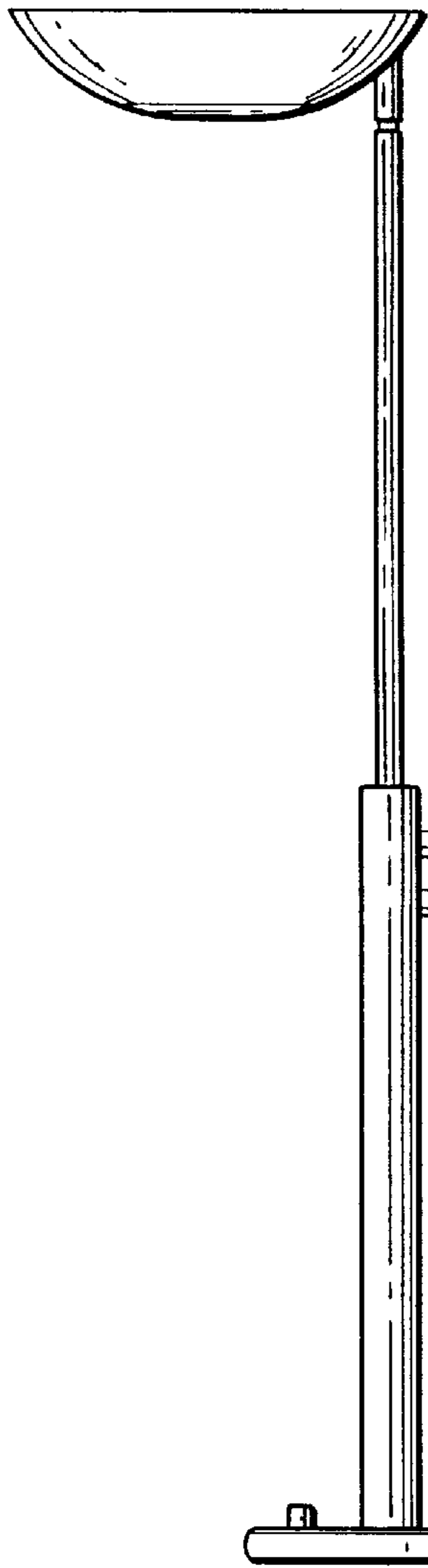


FIG. 2

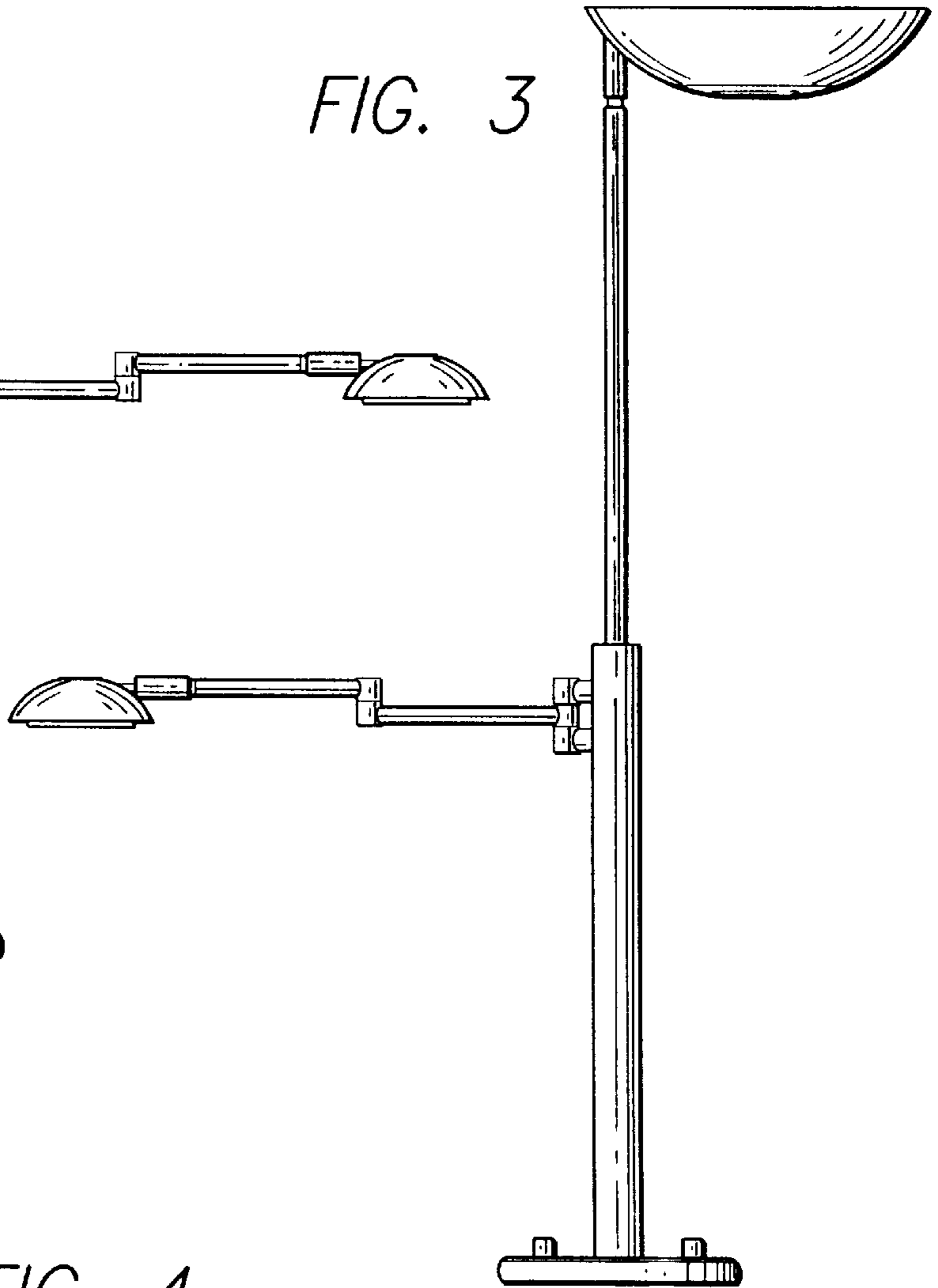


FIG. 3

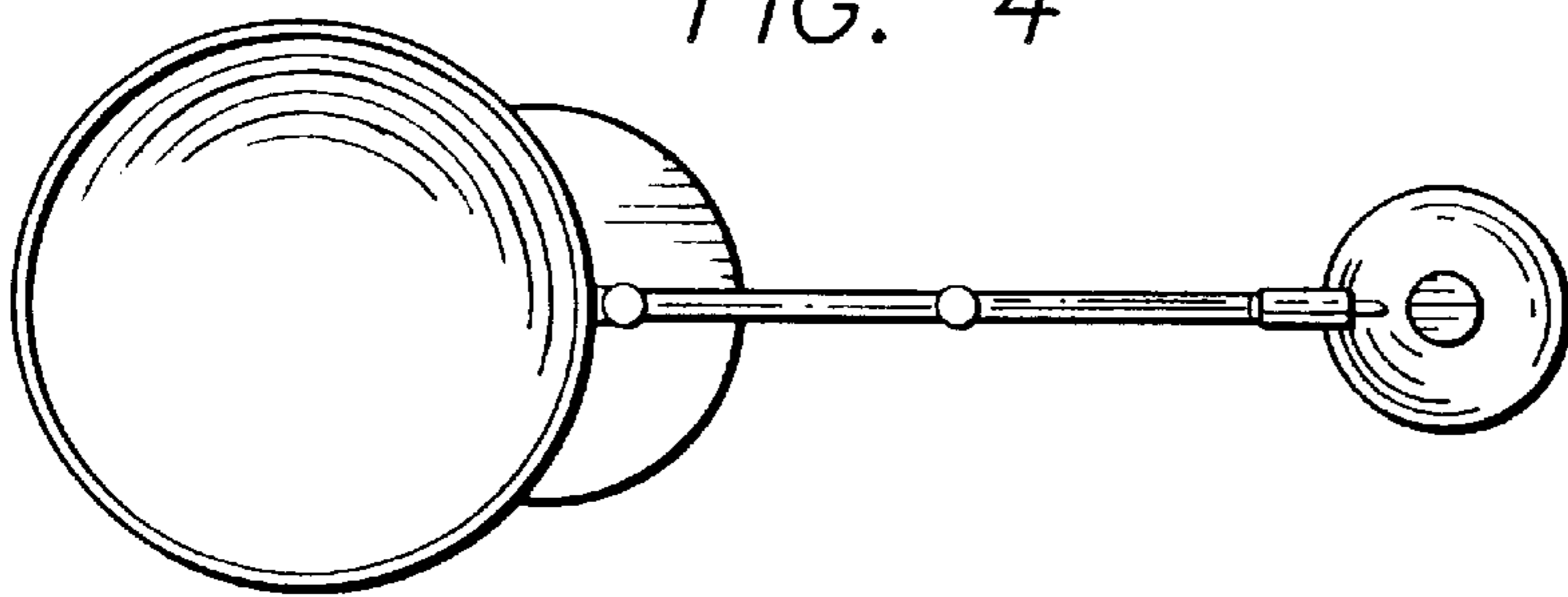


FIG. 4

FIG. 5

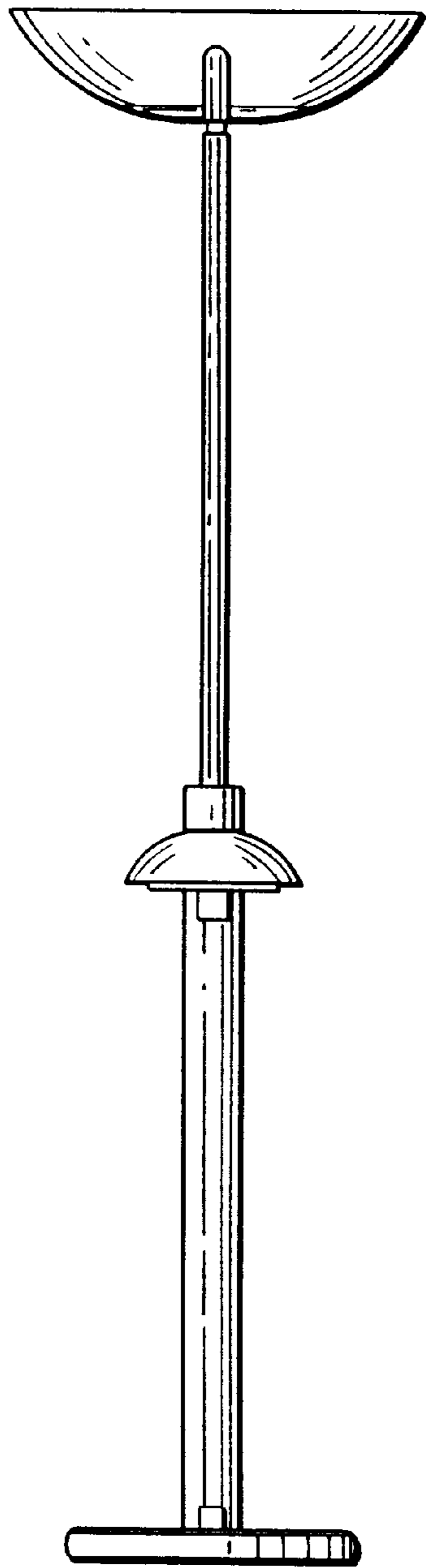


FIG. 6

