



US00D426335S

United States Patent [19]

[11] Patent Number: **Des. 426,335**

Kulterer et al.

[45] Date of Patent: **** Jun. 6, 2000**

[54] **LIGHT**

[75] Inventors: **Reinhard Kulterer**, Keltern; **Johannes Pohler**, Stephanskirchen, both of Germany

[73] Assignee: **Arnold & Richter Cine Technik GmbH & Co. Betriebs KG**, Munich, Germany

[**] Term: **14 Years**

[21] Appl. No.: **29/090,557**

[22] Filed: **Jul. 8, 1998**

[30] Foreign Application Priority Data

Jan. 8, 1998 [DE] Germany M 98 00 112

[51] **LOC (7) Cl.** **26-05**

[52] **U.S. Cl.** **D26/63**

[58] **Field of Search** D26/60-66; 362/269, 362/274, 277, 285, 418, 419, 427

[56] References Cited

U.S. PATENT DOCUMENTS

D. 388,525 12/1997 Lowell et al. D26/63

OTHER PUBLICATIONS

ARRI—Lighting, Film & Television Lighting Products, 1995.

ARRI—Arrisun, Feb. 1995, ARRI (GB) Ltd.

ARRI—Studio, Oct. 1995, ARRI (GB) Ltd.

ARRI—Junior, May 1996, ARRI Arnold & Richter Cine Technik.

ARRI—ARRI Compact, Oct. 1995, ARRI (GB) Ltd.

Primary Examiner—Freda Nunn

Attorney, Agent, or Firm—Christie, Parker & Hale, LLP

[57] CLAIM

The ornamental design for a light, as shown and described.

DESCRIPTION

FIG. 1 is a right side perspective view of a light, with a light stand, showing our new design;

FIG. 2 is a left side perspective view of the light of FIG. 1;

FIG. 3 is a front elevation view of the light of FIG. 1;

FIG. 4 is a back elevation view of the light of FIG. 1;

FIG. 5 is a right side perspective view of the light of FIG. 1, with a screen device;

FIG. 6 is a right side perspective view of the light of FIG. 5

with an open lamp mirror section the broken lines are shown for illustrative purposes only and form no part of the claimed design;

FIG. 7 is a right side perspective view of the light of FIG. 1, without the light stand, showing our new design;

FIG. 8 is a left side perspective view, of the light of FIG. 7;

FIG. 9 is a front elevation view, of the light of FIG. 7;

FIG. 10 is a back elevation view, of the light of FIG. 7;

FIG. 11 is a right side perspective view of the light of FIG. 1, with the screen device and without the light stand, showing our new design; and,

FIG. 12 is a left side perspective view of the light of FIG. 11.

1 Claim, 12 Drawing Sheets

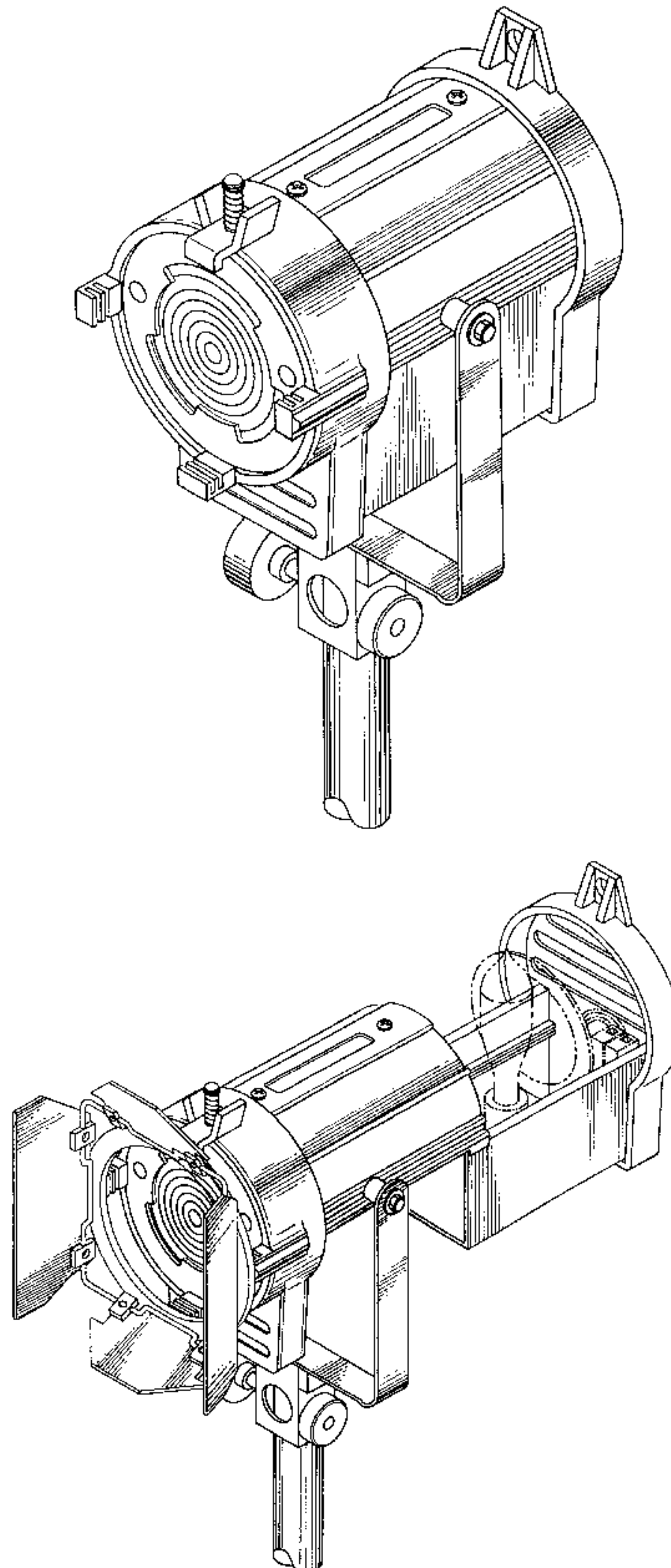
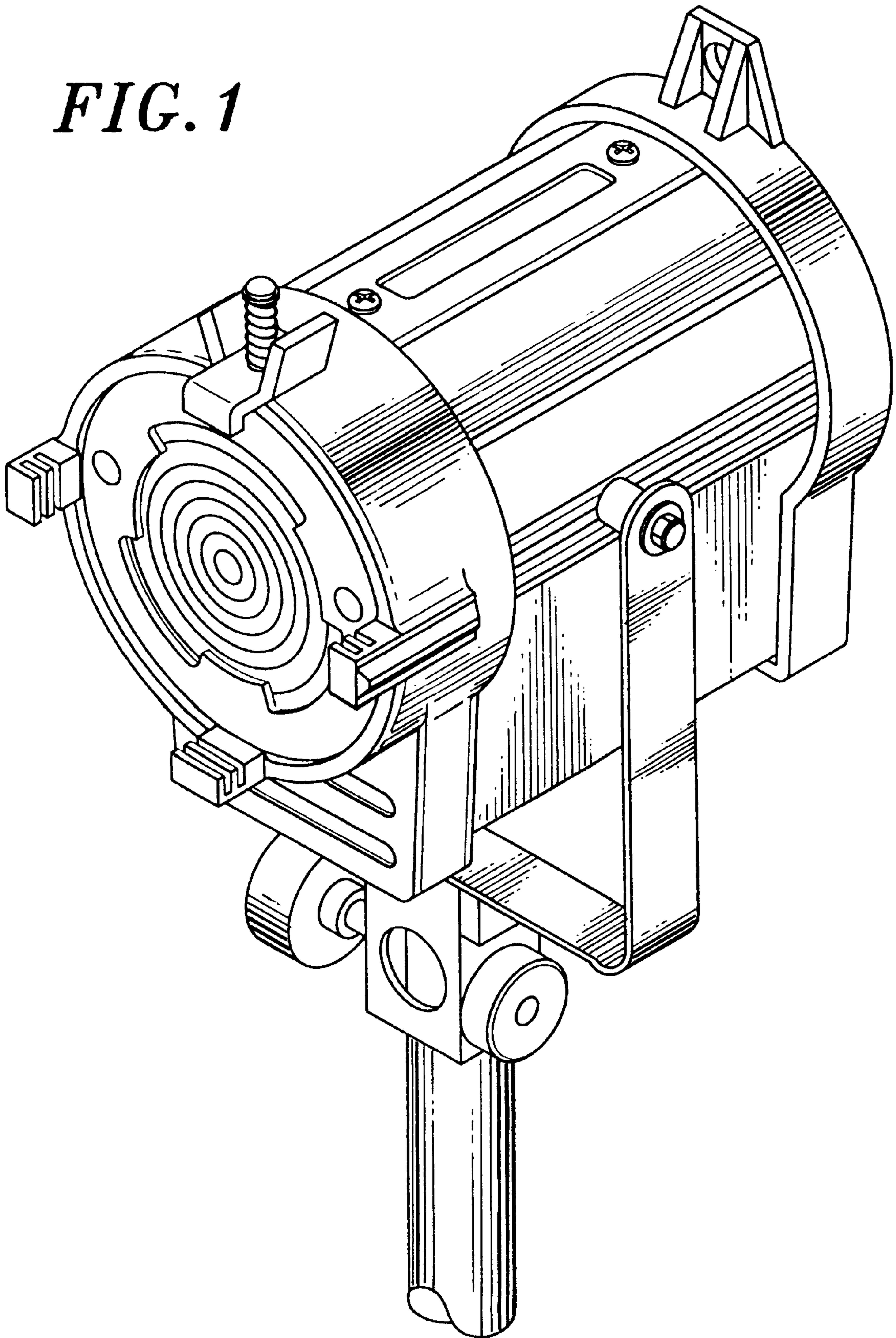


FIG. 1



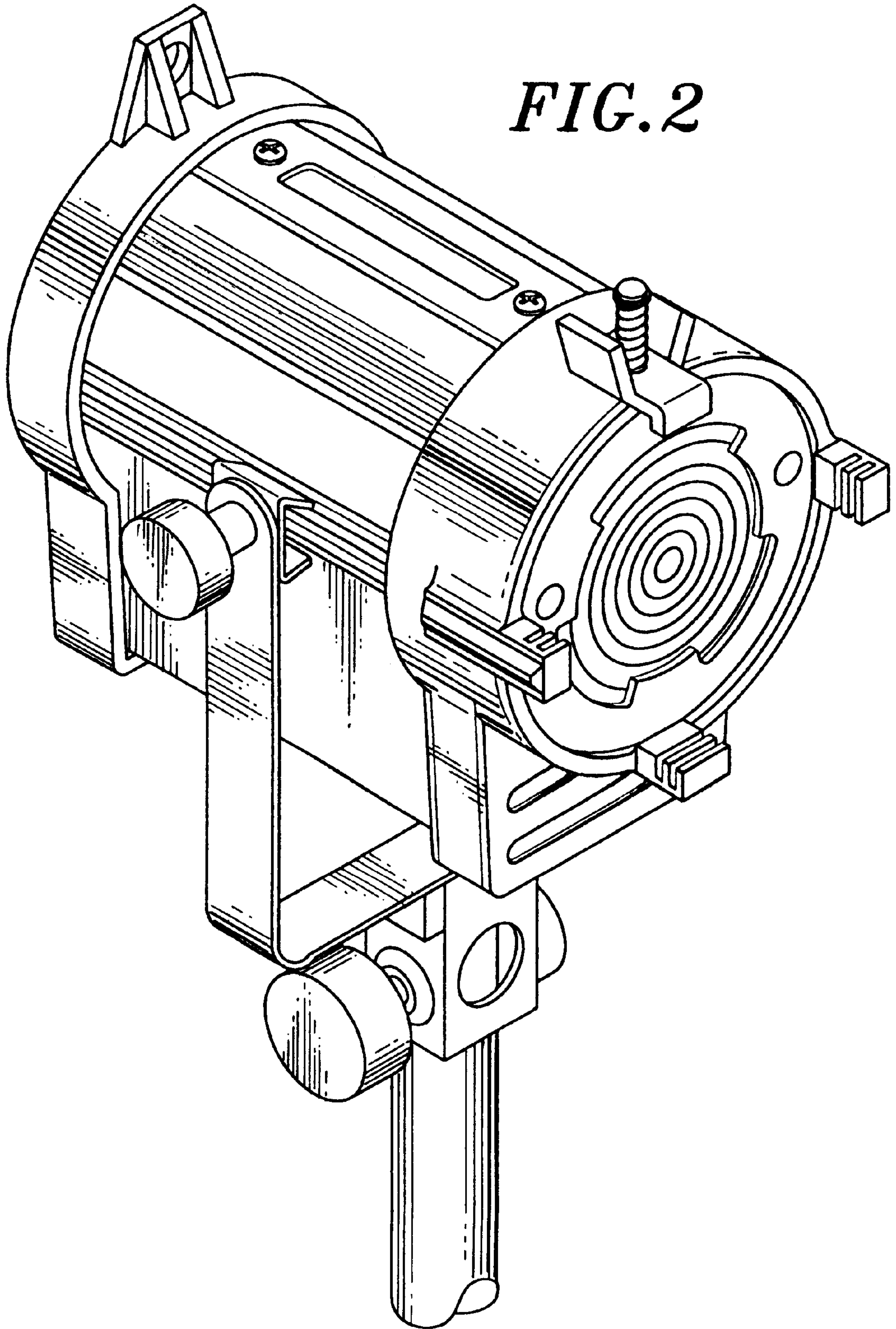


FIG. 2

FIG. 3

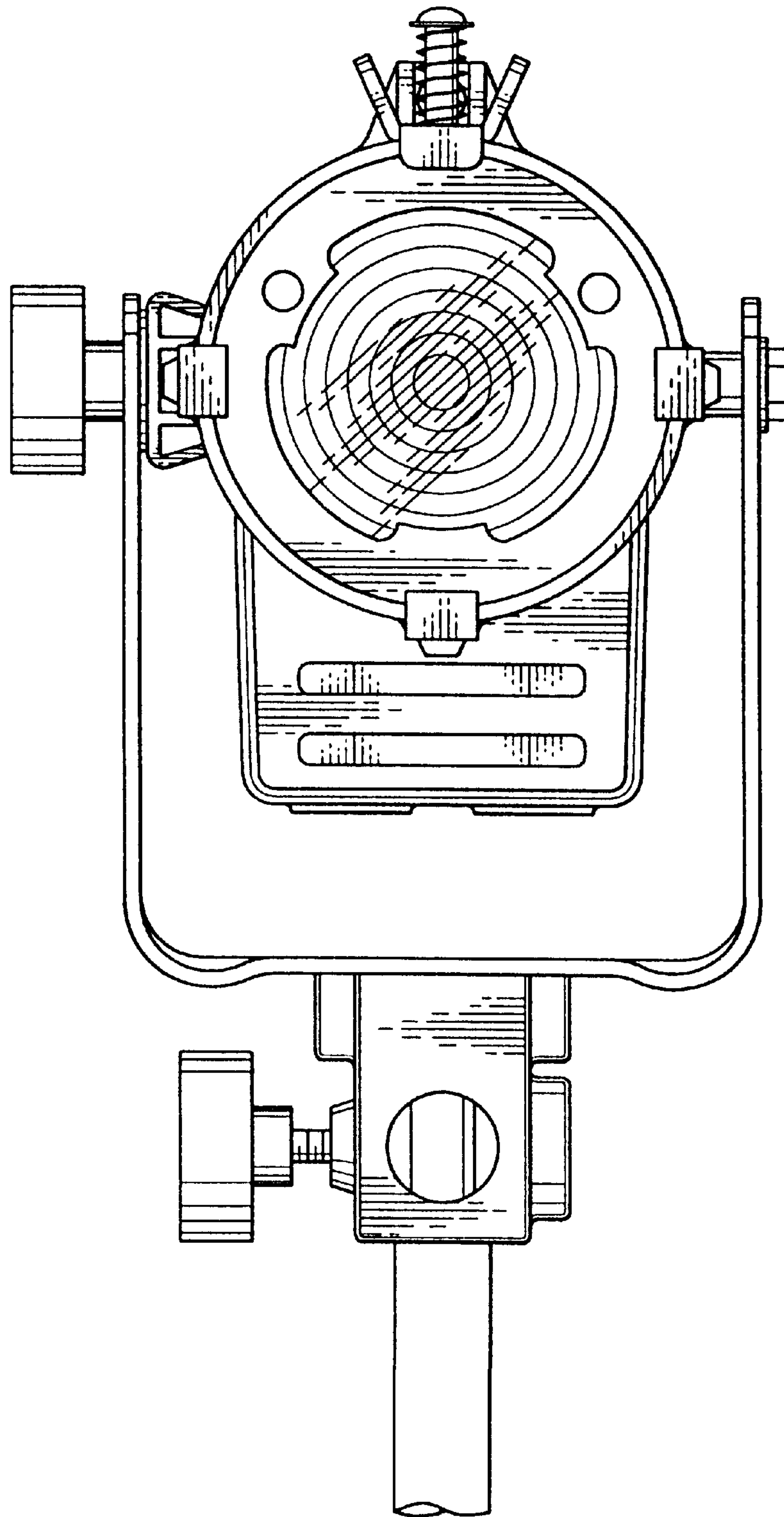


FIG. 4

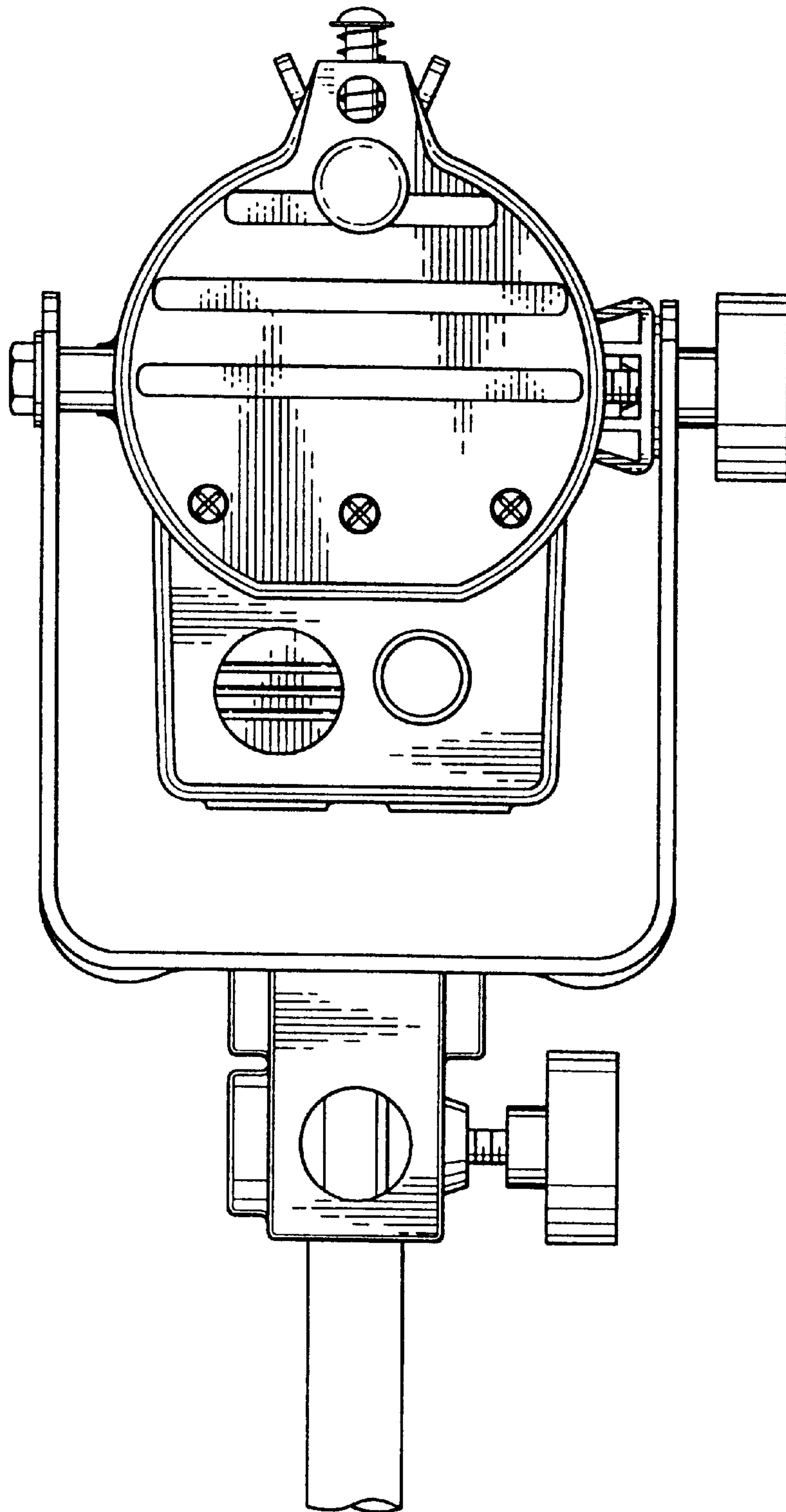


FIG. 5

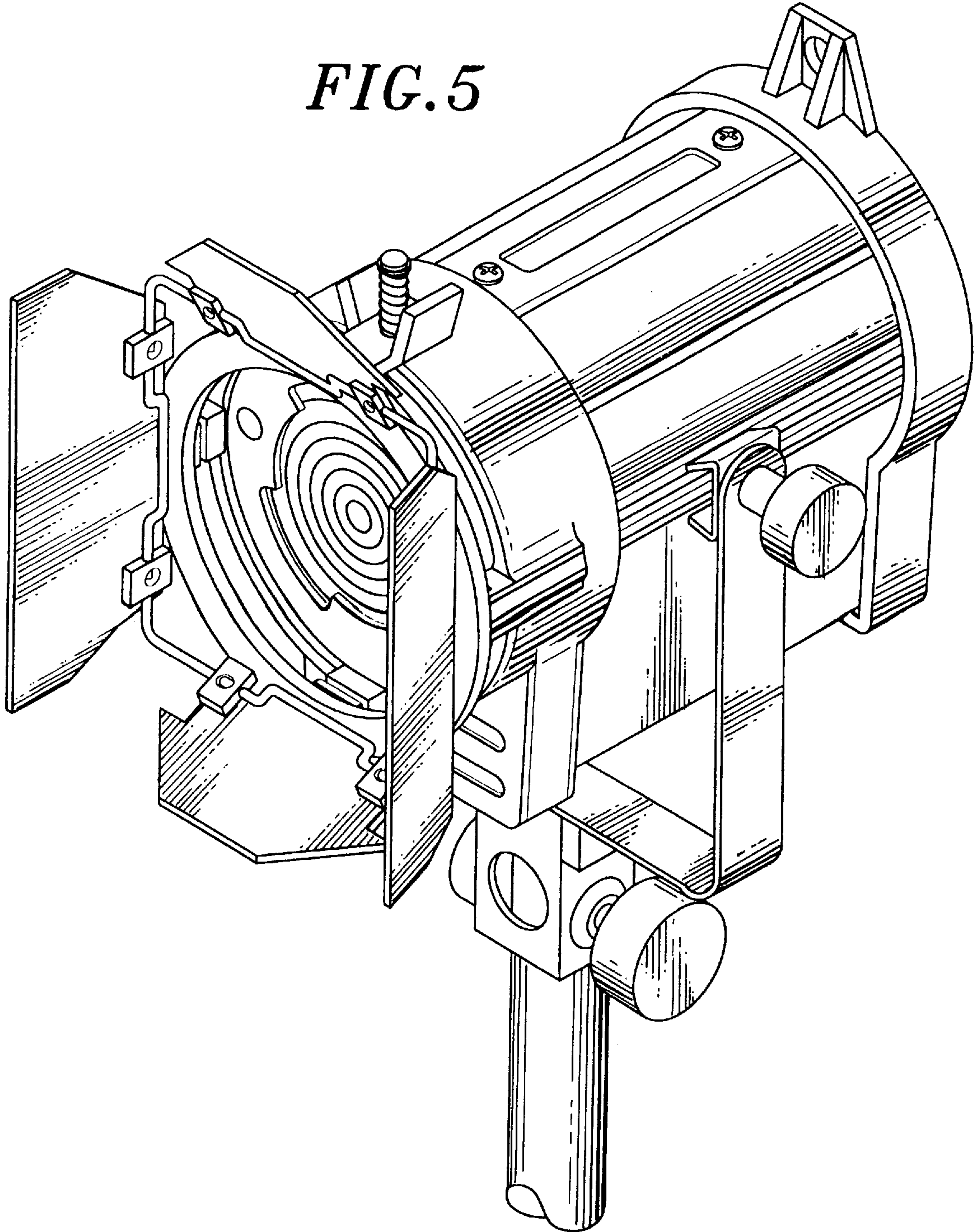


FIG. 6

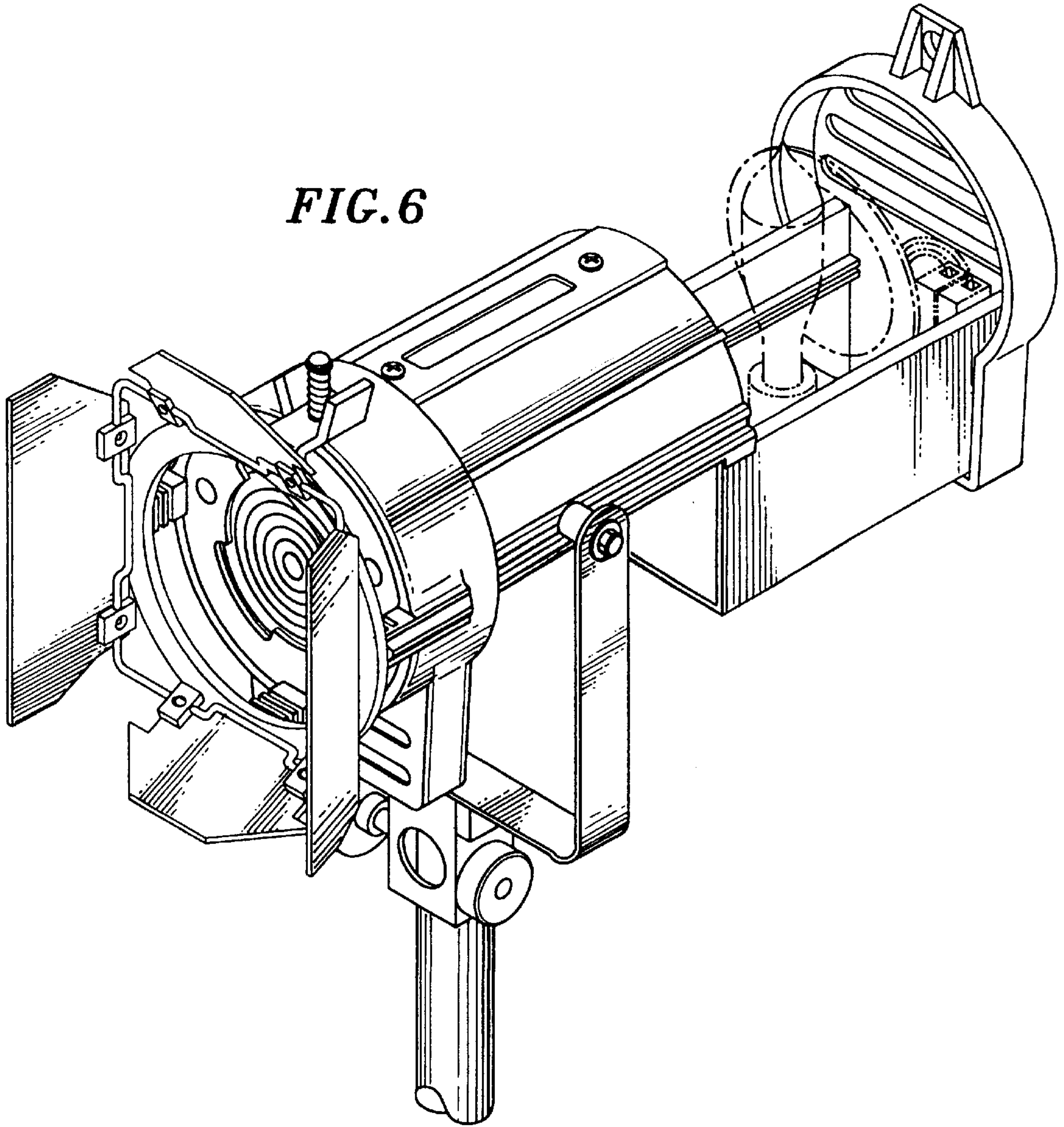
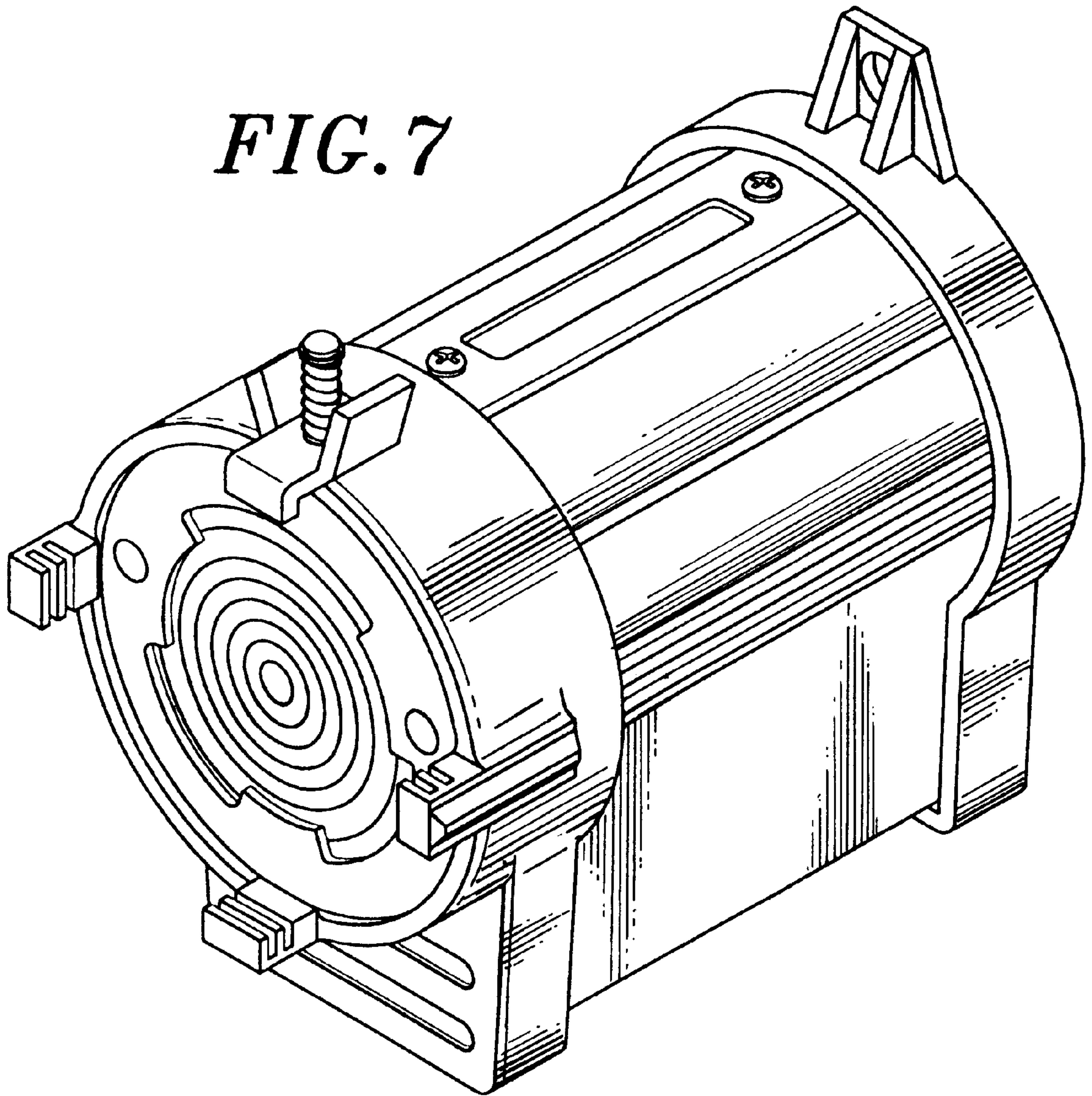


FIG. 7



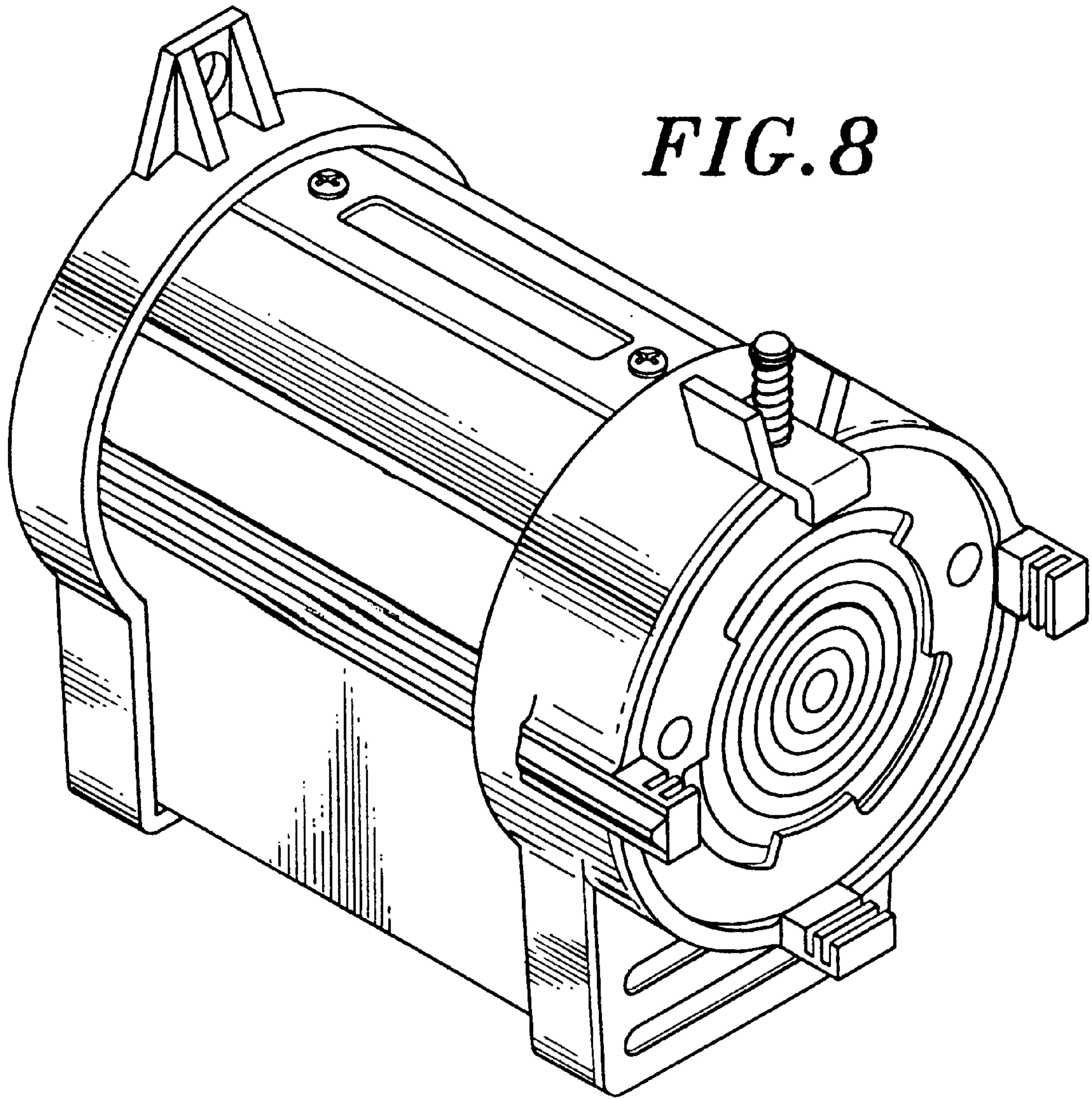


FIG. 8

FIG. 9

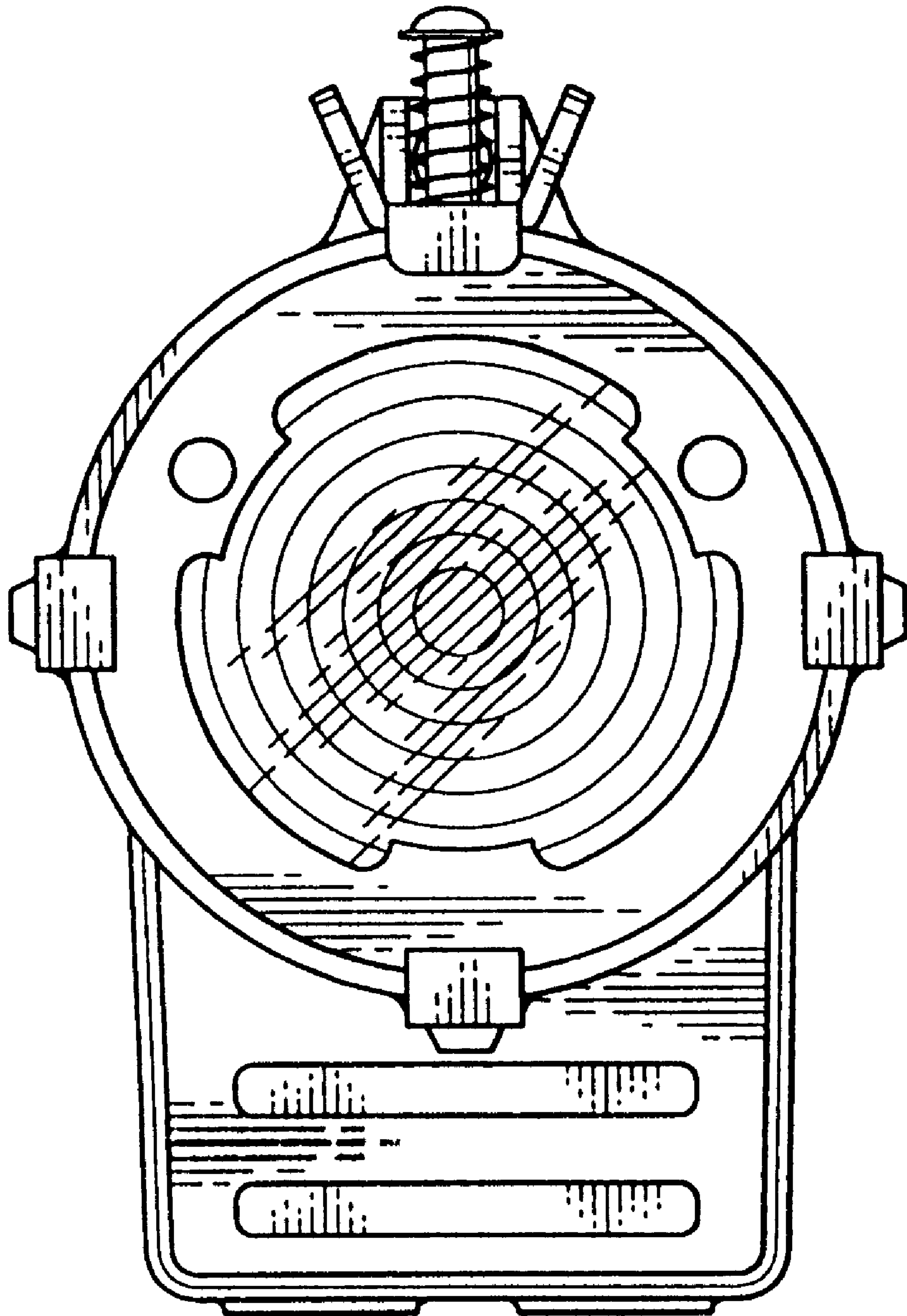


FIG. 10

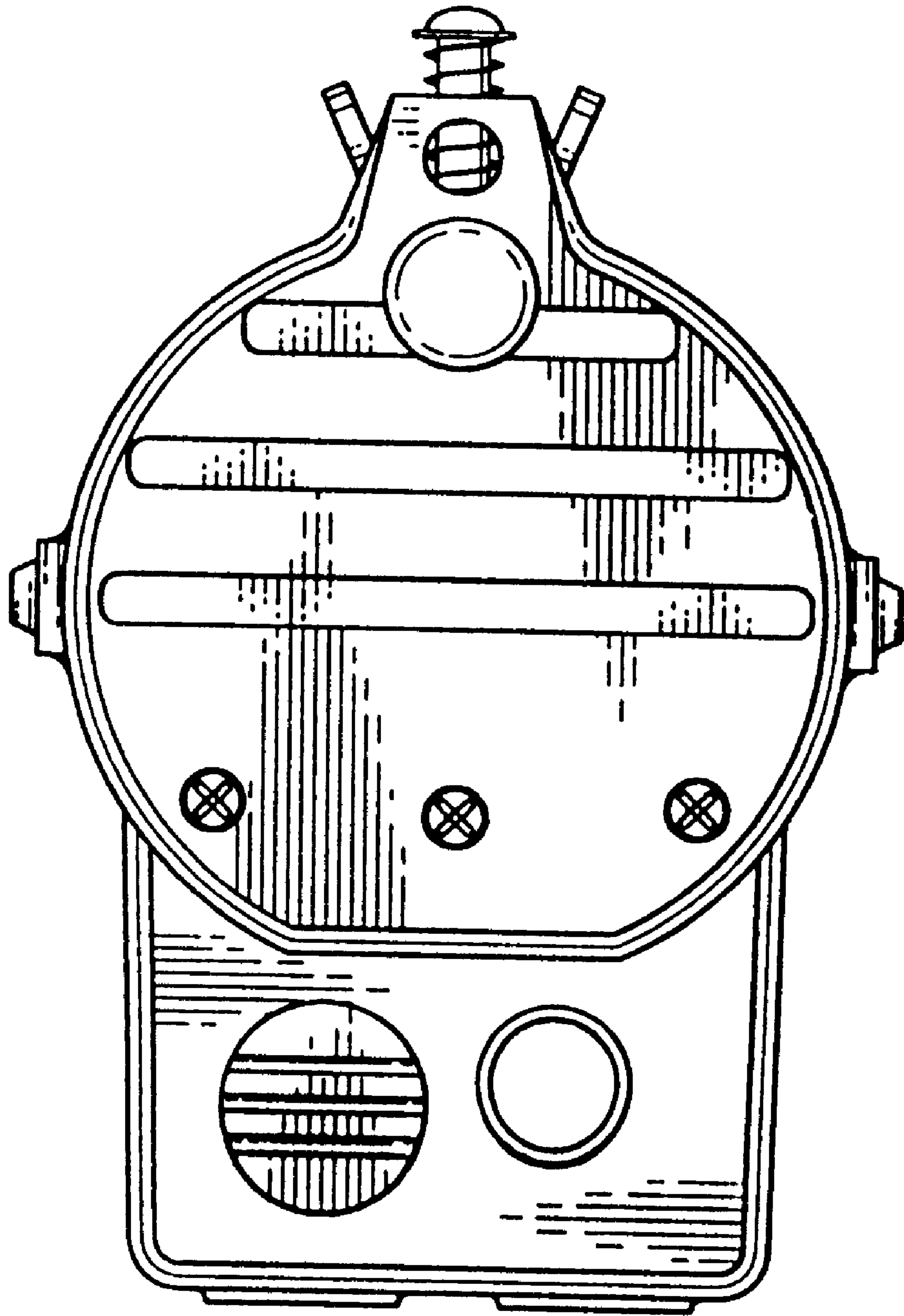


FIG. 11

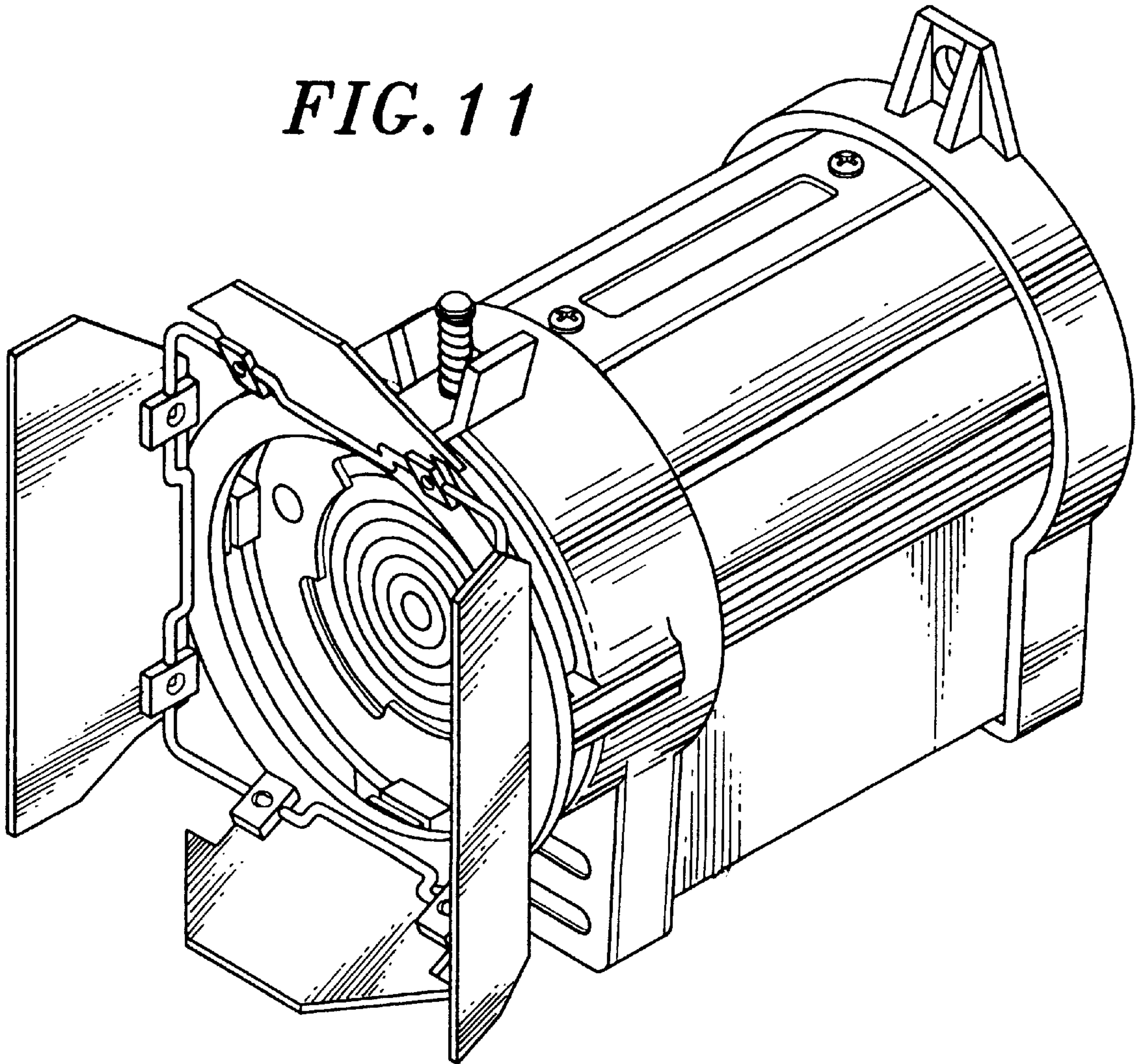


FIG. 12

