



US00D426334S

United States Patent [19]

[11] **Patent Number: Des. 426,334**

Wegrzyn et al.

[45] **Date of Patent: ** *Jun. 6, 2000**

[54] **EMERGENCY LIGHTING FIXTURE**

[75] Inventors: **Joseph Wegrzyn**, Stratford; **Joseph M. LaRosa**, Portland, both of Conn.

[73] Assignee: **Dual-Lite Inc.**, Cheshire, Conn.

[*] Notice: This patent is subject to a terminal disclaimer.

[**] Term: **14 Years**

[21] Appl. No.: **29/090,123**

[22] Filed: **Jun. 30, 1998**

[51] **LOC (7) Cl.** **26-05**

[52] **U.S. Cl.** **D26/63**

[58] **Field of Search** D26/63-66; 362/269, 362/275, 277, 285, 287, 418, 419, 427, 428, 429, 425, 422, 421, 420

[56] **References Cited**

U.S. PATENT DOCUMENTS

D. 264,007	4/1982	Heritage	D26/63 X
D. 264,253	5/1982	Goldschmidt et al.	.	
D. 264,254	5/1982	Heritage	.	
D. 320,863	10/1991	Macaluso	.	
D. 354,147	1/1995	Veda	.	
D. 379,246	5/1997	Haslam et al.	D26/63
D. 390,981	2/1998	Kaczorowski et al.	.	
D. 400,995	11/1998	LaRosa et al.	D26/63
3,702,928	11/1972	Alger	.	
3,772,527	11/1973	Darling et al.	.	
4,499,528	2/1985	Hawlitzki	.	
4,556,936	12/1985	Snow	362/269 X
4,751,627	6/1988	Usher	362/421
4,755,912	7/1988	Evans	362/419 X
5,050,047	9/1991	Viner et al.	.	
5,055,988	10/1991	Cartwright	.	
5,797,673	8/1998	Logan et al.	.	

OTHER PUBLICATIONS

Two (2) photographs of Atlite Lighting Equipment, Inc. PC Series Emergency Light Prior To Filing Date.
Two (2) photographs of Emergi-Lite Escort Series Emergency Light Prior To Filing Date.

Two (2) photographs of Emergi-Lite PRO Series Emergency Light Prior To Filing Date.
Three (3) photographs of Chloride Systems GM Series Emergency Light Prior To Filing Date.
Two (2) photographs of Hubbell Lighting Inc. PE Series Emergency Light Prior To Filing Date.
Two (2) photographs of Emergi-Lite Escort Series Emergency Light Prior To Filing Date.
Two (2) photographs of Lightalarms Electronic Corp. Cavalier II Emergency Light Prior To Filing Date.
Two (2) photographs of JUNO Lighting, Inc. ECR Series Emergency Light Prior To Filing Date.

(List continued on next page.)

Primary Examiner—Susan J. Lucas
Attorney, Agent, or Firm—Ware, Fressola, Van der Sluys & Adolphson LLP

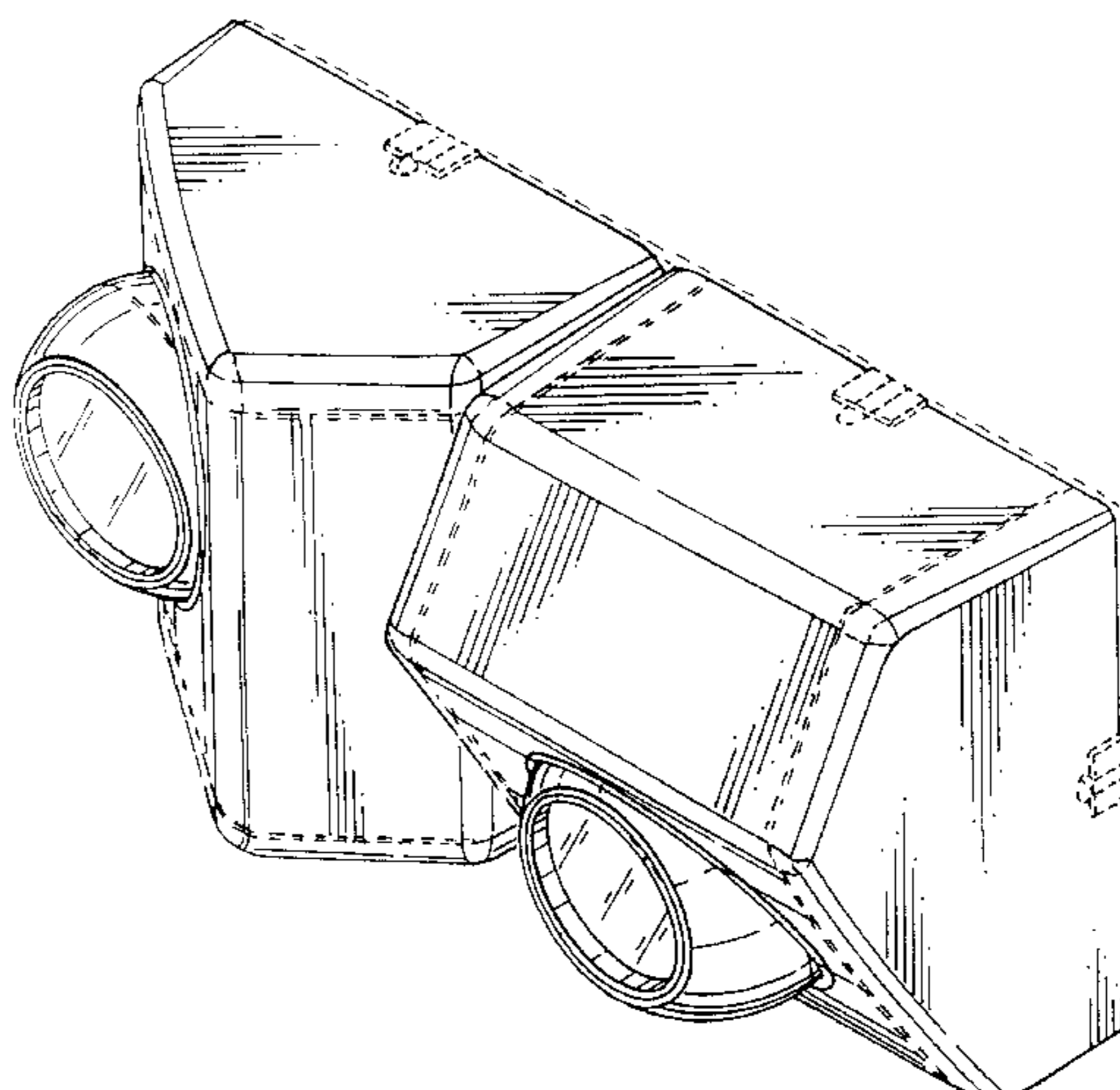
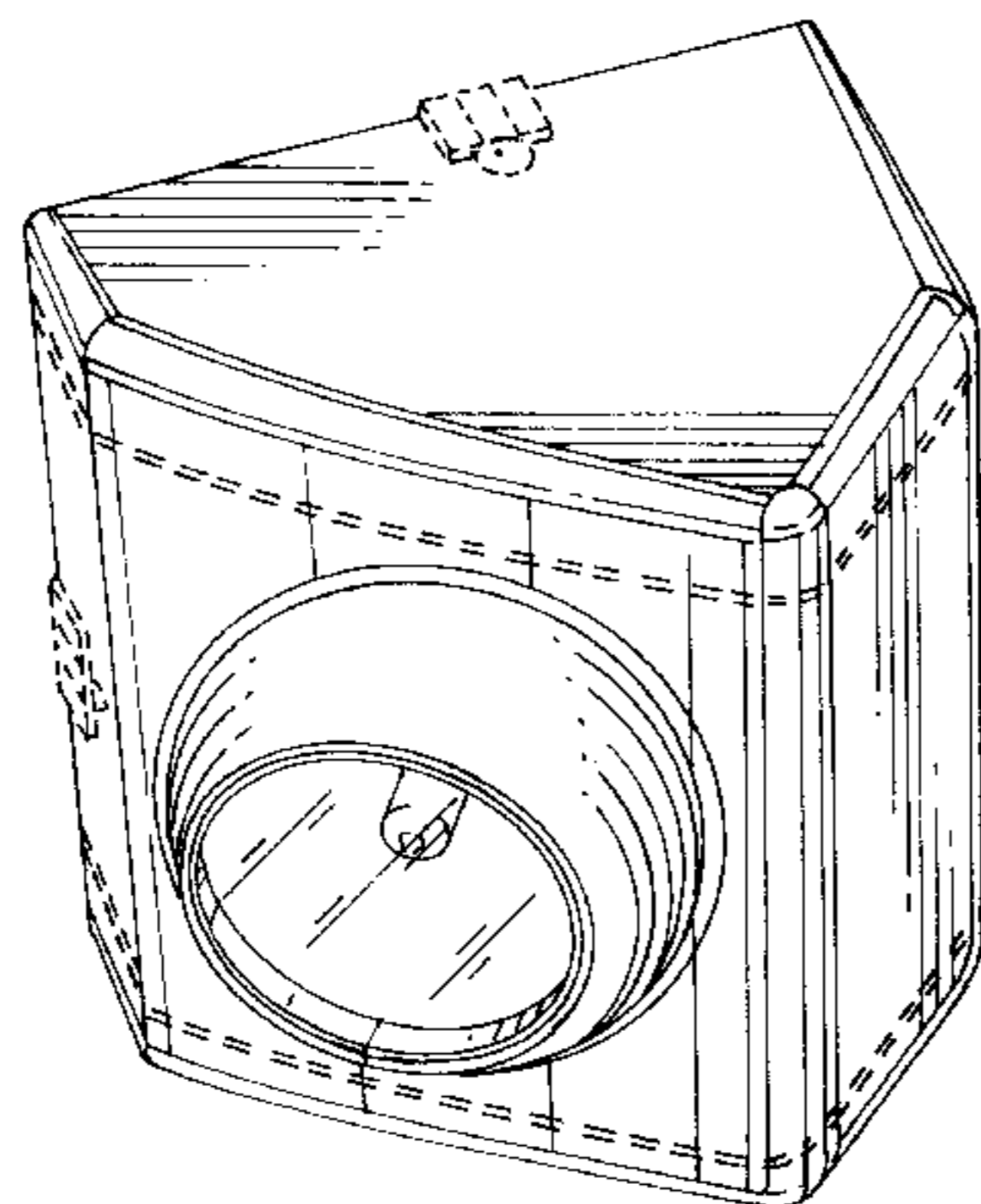
[57] **CLAIM**

We claim the ornamental design for an emergency lighting fixture, as shown and described.

DESCRIPTION

FIG. 1 is a perspective view of the invention;
FIG. 2 is a front view of the invention;
FIG. 3 is a top or bottom view of the invention;
FIG. 4 is a right side view of the invention;
FIG. 5 is a left side view of the invention; and
FIG. 6 is a perspective view of the invention used in tandem;
FIG. 7 is a right side view of the invention as shown in FIG. 6;
FIG. 8 is a top or bottom view of the invention as shown in FIG. 6;
FIG. 9 is a front view of the invention as shown in FIG. 6; and,
FIGS. 10 through 24 are perspective views of the invention showing various orientations thereof when being used in tandem on the same backplate.
The broken lines shown in the figures are for illustrative purposes only and form no part of the claimed design. The rear portion of the emergency lighting fixture is plain and forms no part of the claimed design.

1 Claim, 12 Drawing Sheets



OTHER PUBLICATIONS

Six (6) photographs of Lithonia Lighting ELM Series Emergency Light Prior To Filing Date.

Two (2) photographs of Sure-Lites/Cooper Lighting CCX Series Emergency Light Prior To Filing Date.

Emergency Lighting Products—Dual—Lite Nov. 1997.

Pathfinder Series Exit Sign—Hubbell Lighting Nov. 1992.

PE Series Emergency Lighting —Hubbell Lighting Sep. 1991.

Series DM, DS—Lightalarms—pp. D3—D4 Jul. 1988.

KB—1—Lightalarms—Nov. 1990

Watchguard EMS—Sure—Lites Prior To Filing Date.

Prior To Filing Date Windsor—Big Beam Emergency System, Inc.

Emergency Lighting Products—Dual—Lite Jun. 1996.

Two (2) photographs of Prescolite Designer Series Emergency Light Prior to Filing Date.

Two (2) photographs of Lithonia Lighting LH QM Series Emergency Light Prior To Filing Date.

Two (2) photographs of Chloride Systems Infinity Series Emergency Light Prior To Filing Date.

Two (2) photographs of Chloride Systems Celebrity Series Emergency Light Prior To Filing Date.

Quantum Combo And Quick—Mount—Lithonia Lighting Jan. 1995.

Prior To Filing Date Quantum—Lithonia Lighting pp. 194–195, 200–201.

Prior To Filing Date Atlite Contours (PC 1—10)—Atlite Lighting pp. 2—7.

Cavalier—Lightalarms Elec. pp. D1A—D1B Jan. 1990.

Prior To Filing Date Celebrity—Chloride Systems Spec. Sheet #C1000.

Prior To Filing Date Gem Light—Chloride Systems Spec. Sheet #C1003.

Prior To Filing Date 6MF/6NMF Series—Chloride Systems Spec. Sheet #C1043.

Prior To Filing Date Infinity Series II—Chloride Systems Spec. Sheet #C1064.

Prior To Filing Date Escort Series, Provider Series, ME Series, JS Series and LP, LS and LC Series—Emergi—Lite pp. 9–16.

Emax—p. 8; ELB Series—p. 10; Designer Series—p. 5; Emergency Light/Exit Combination—p. 30; EDS—p. ELI—Prescolite Emergency Sys. Oct. 1989.

CCX Contractor's Choice Exits and Emergency Lighting—Sure—Lites Prior To Filing Date.

Liteforms Collection—LZ Series Emergency Lighting Units, Dual—Lite, Jun. 1997.

Liteforms Collection—LT Series Tandem Emergency Lighting Unit/Exit Signs, Dual—Lite, Jan. 1997.

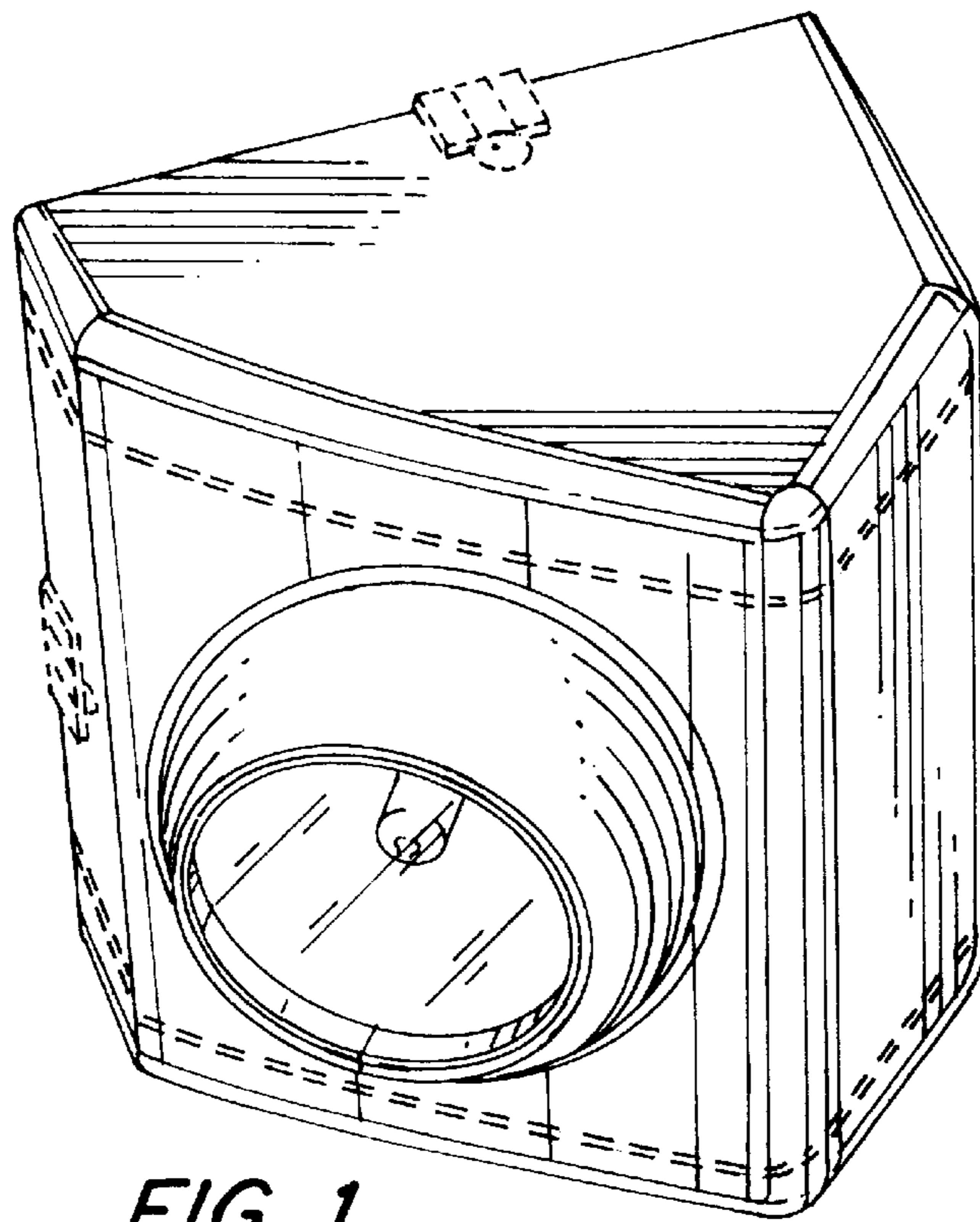


FIG. 1

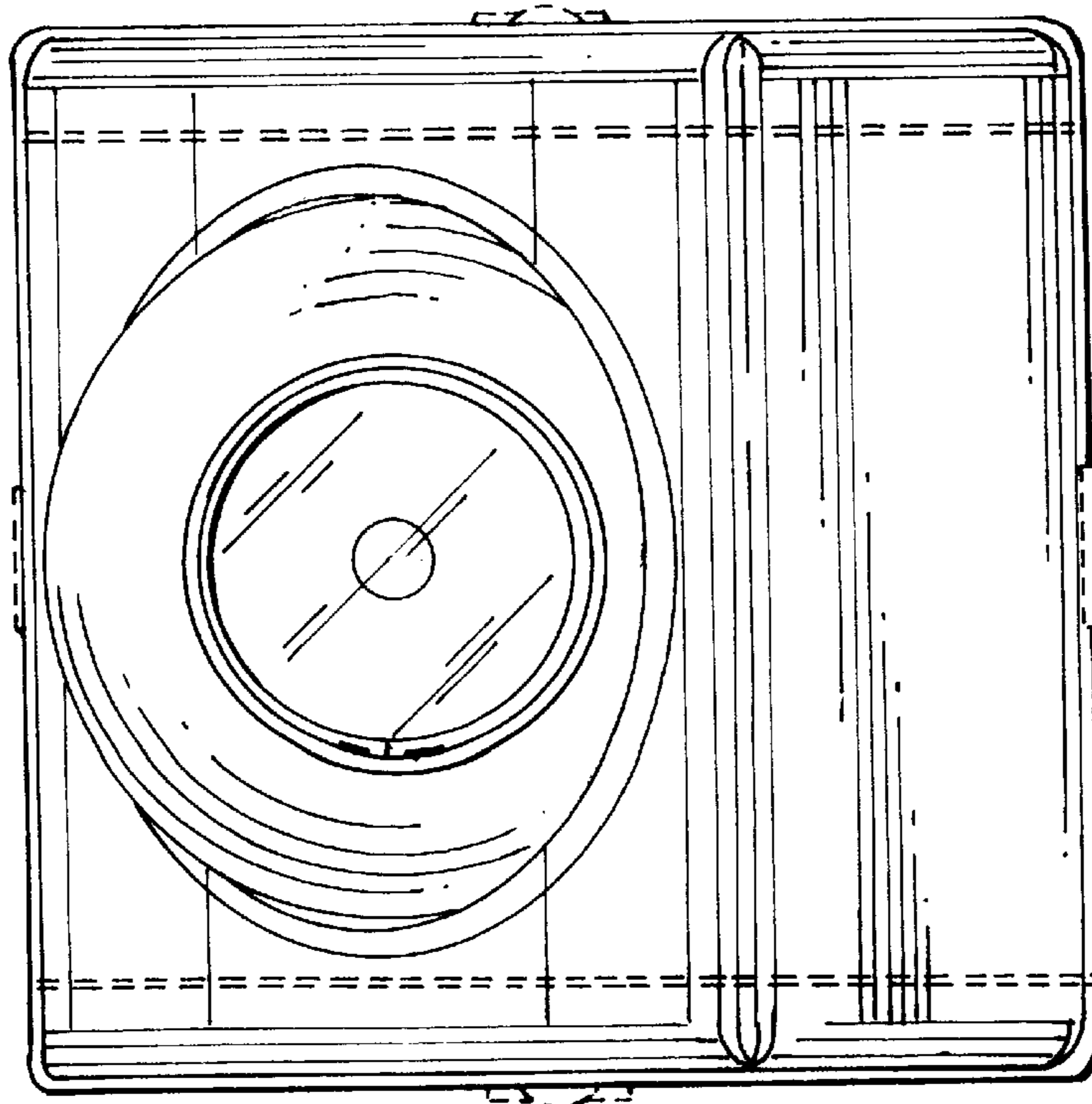


FIG. 2

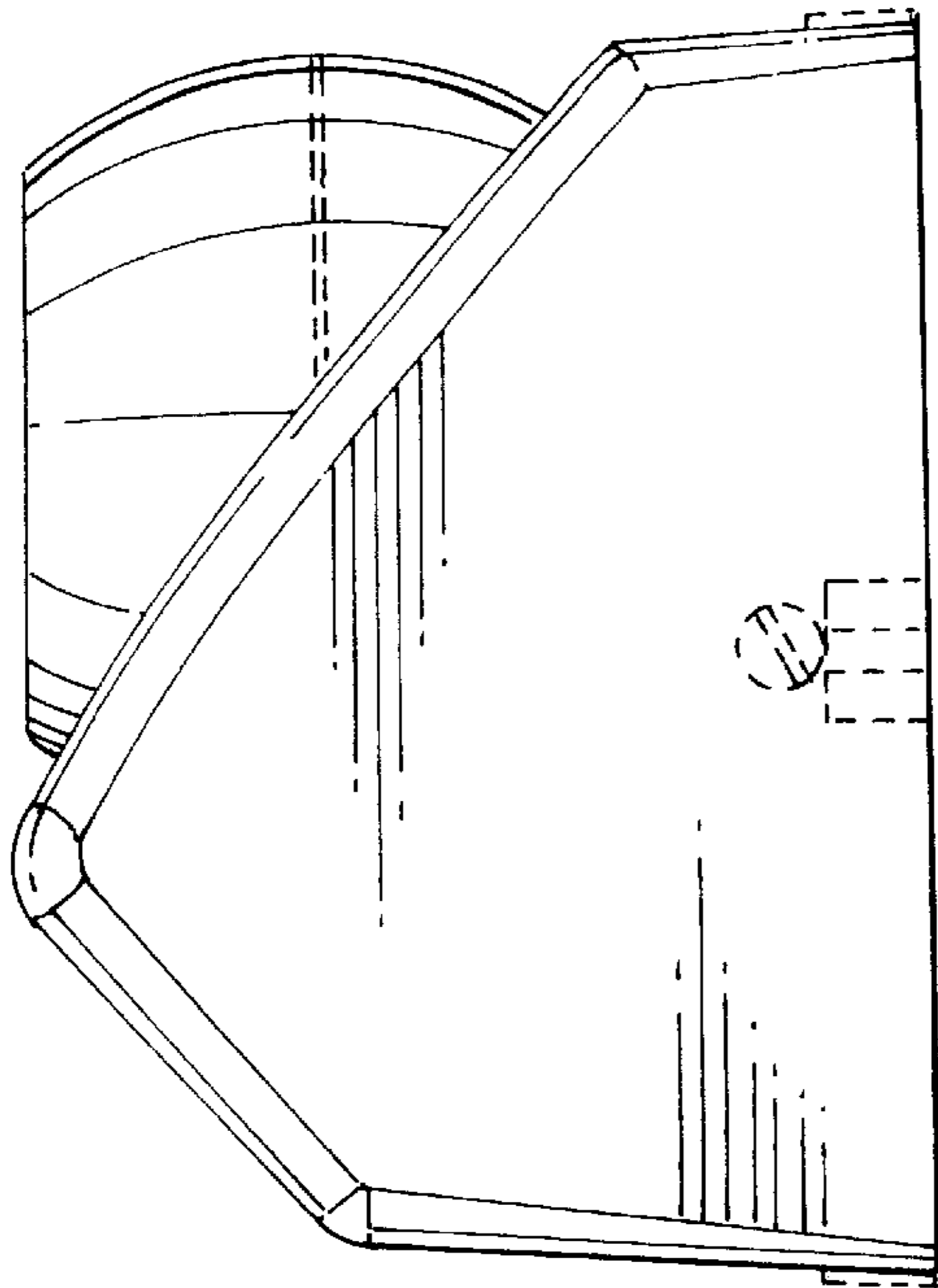


FIG. 3

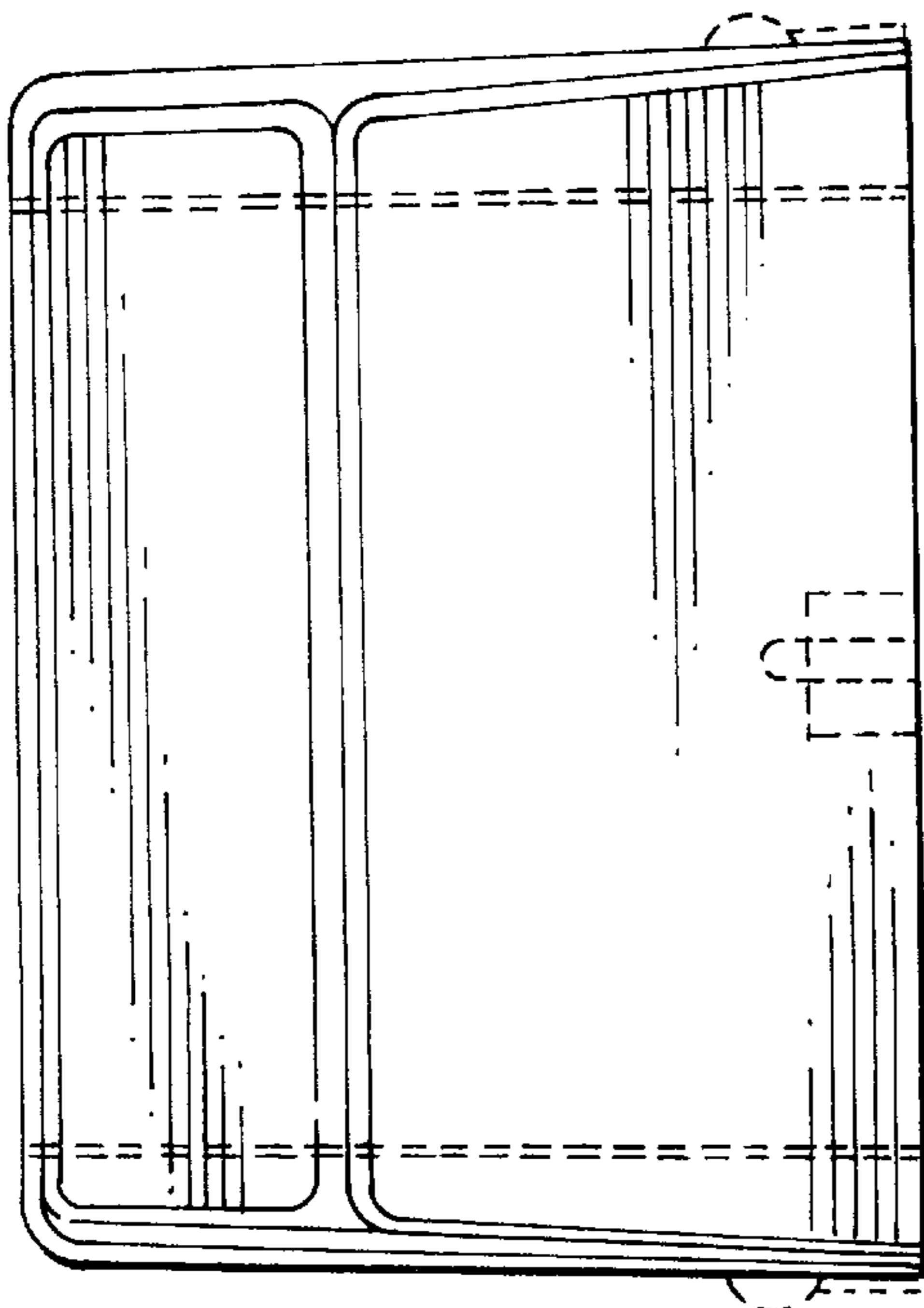


FIG. 4

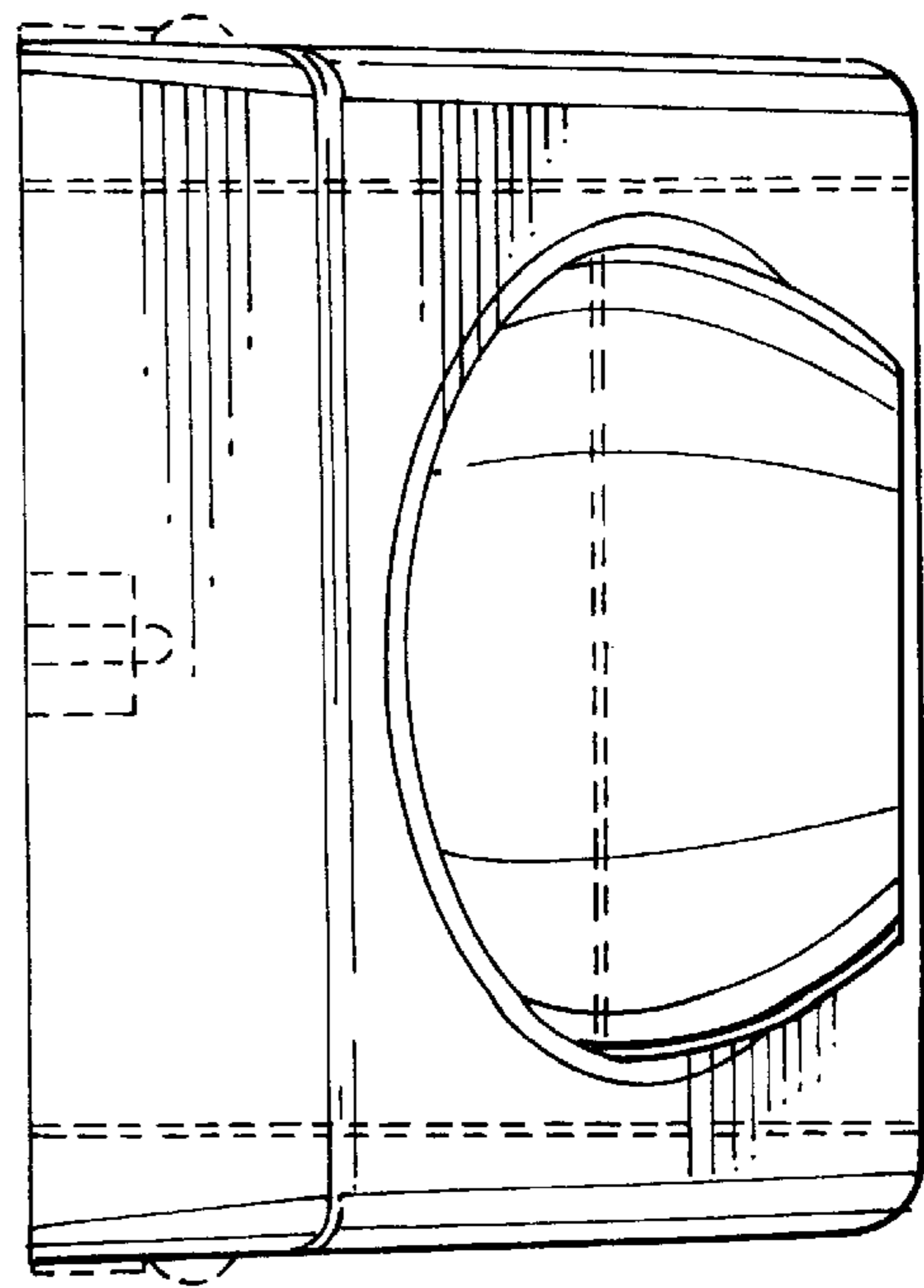
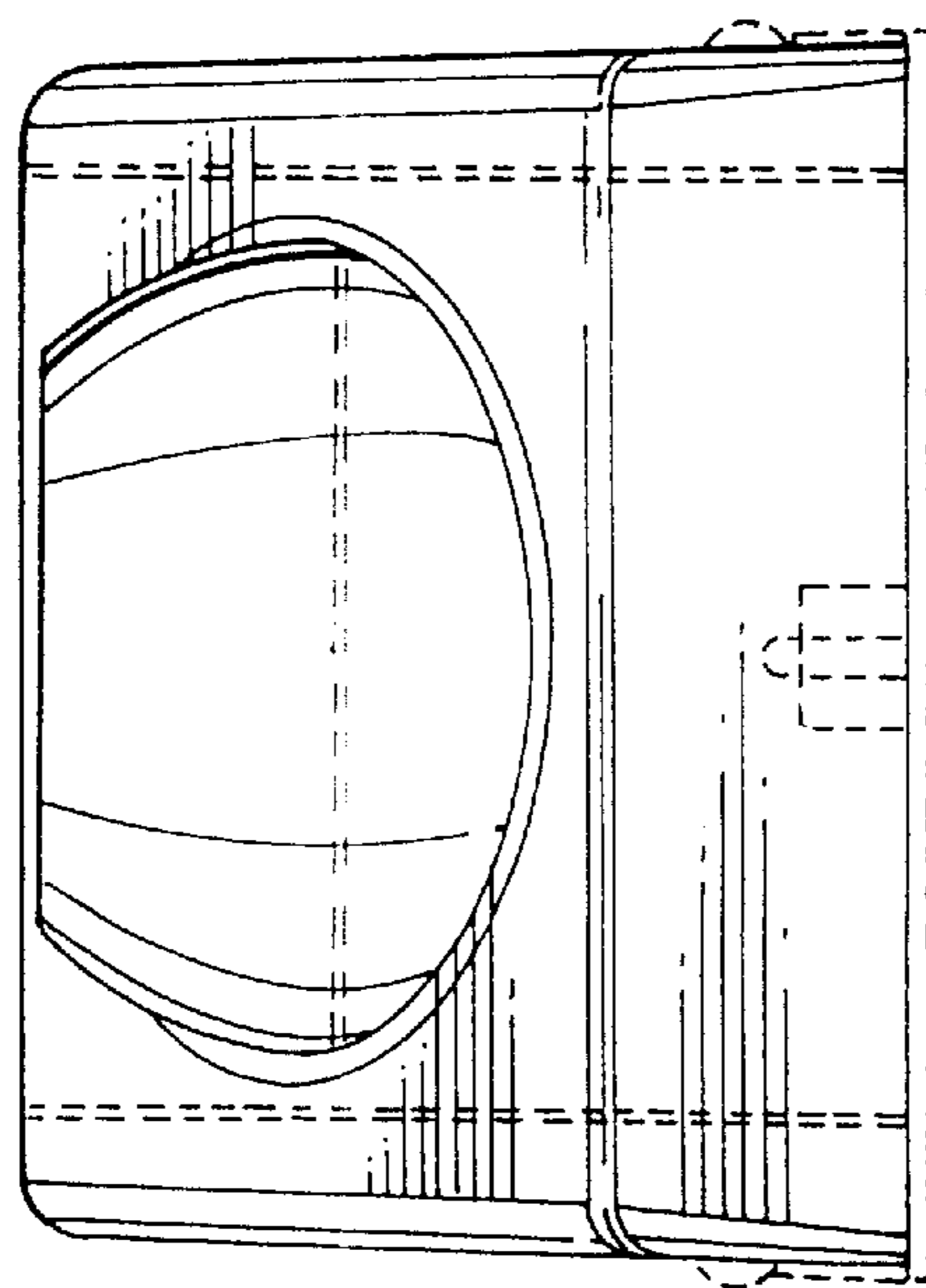
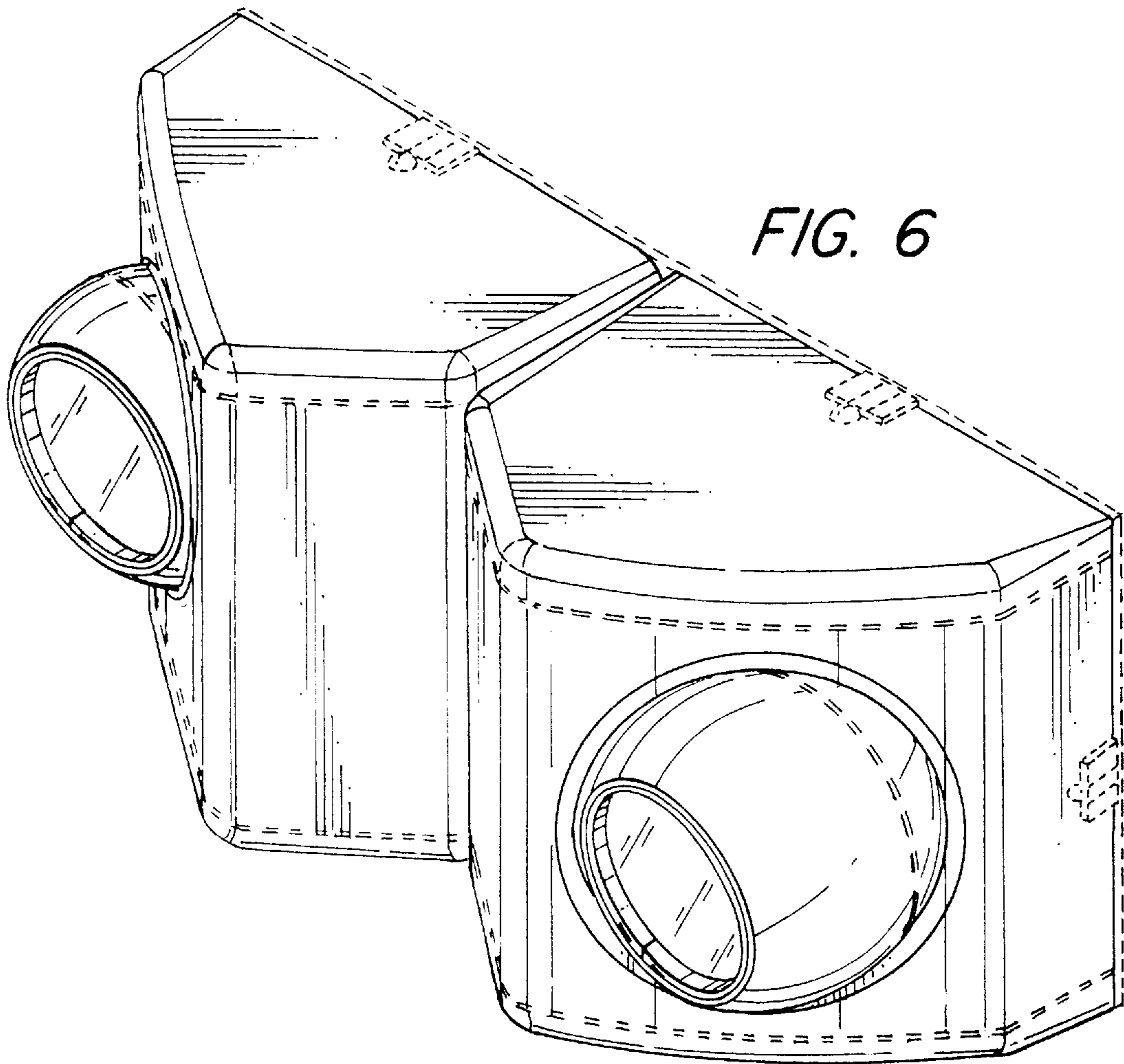


FIG. 5



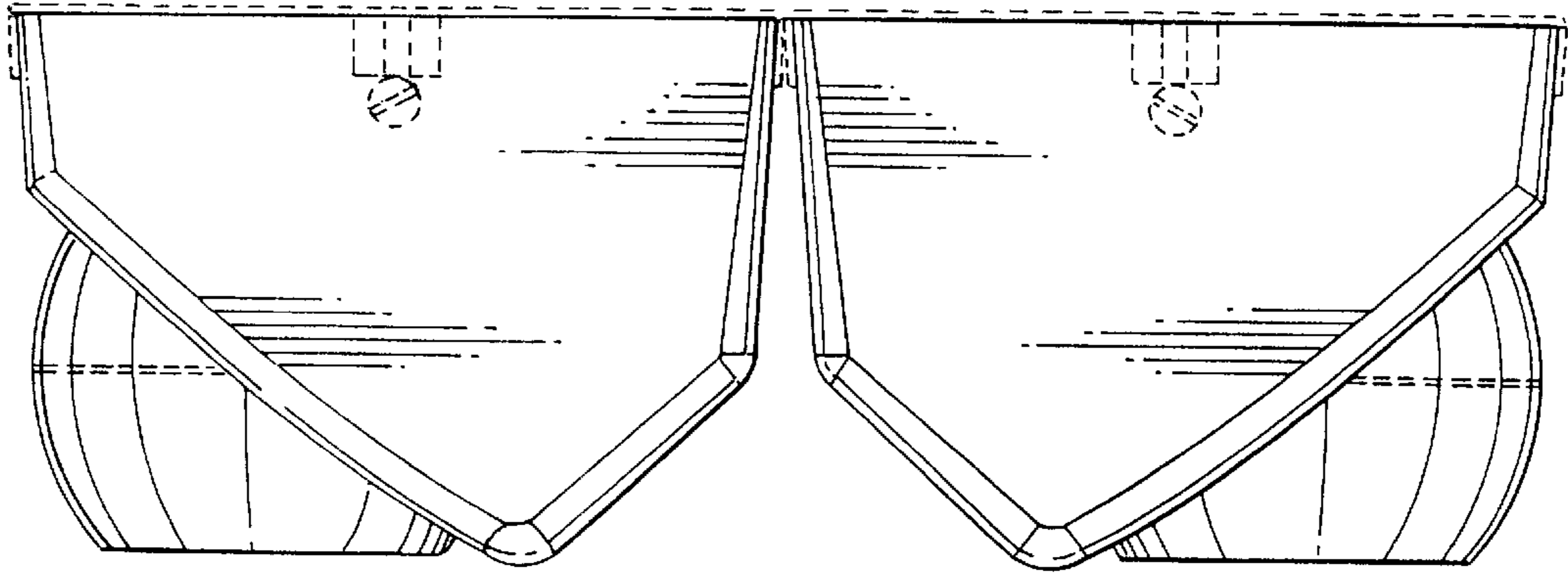


FIG. 8

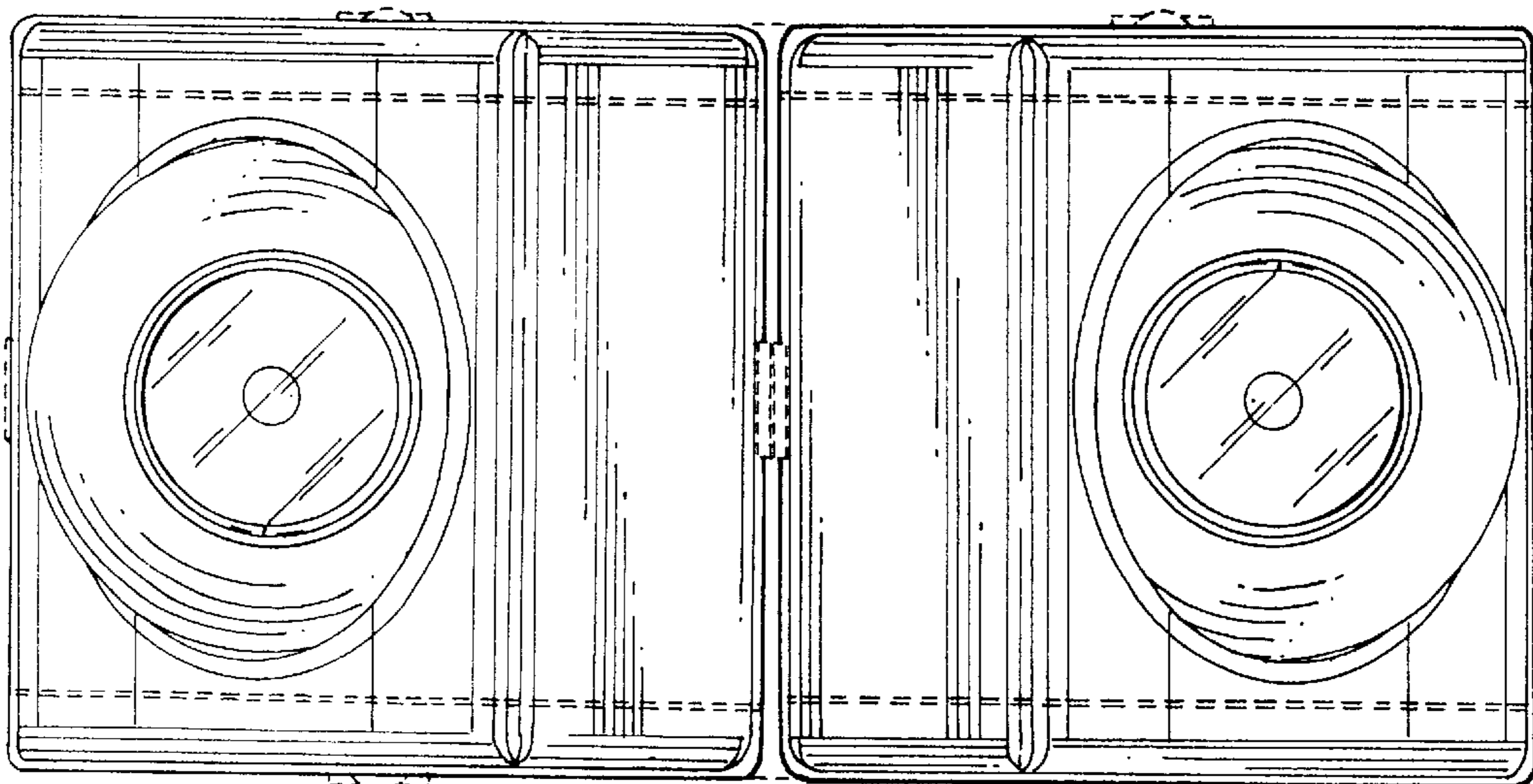


FIG. 9

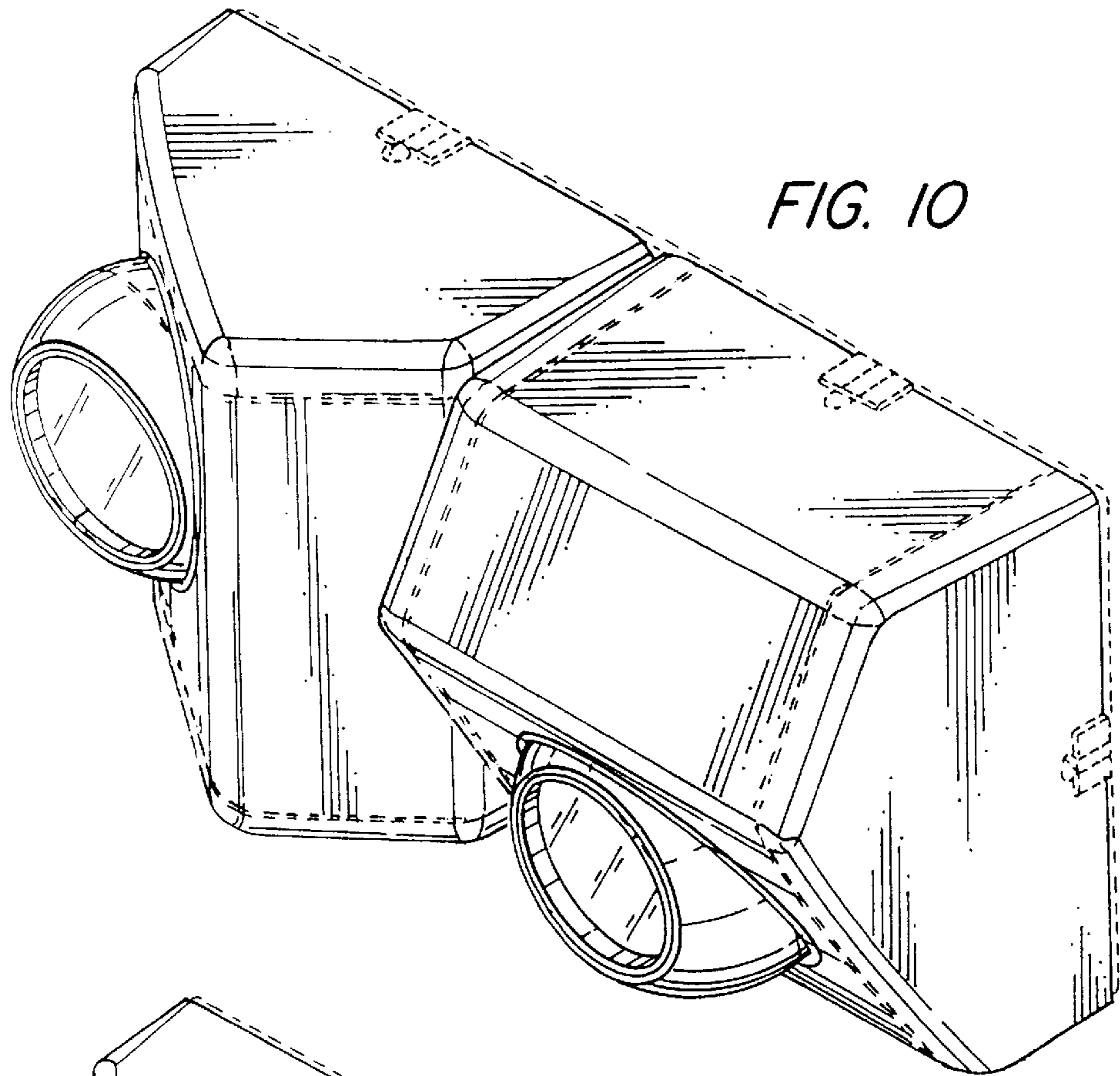


FIG. 10

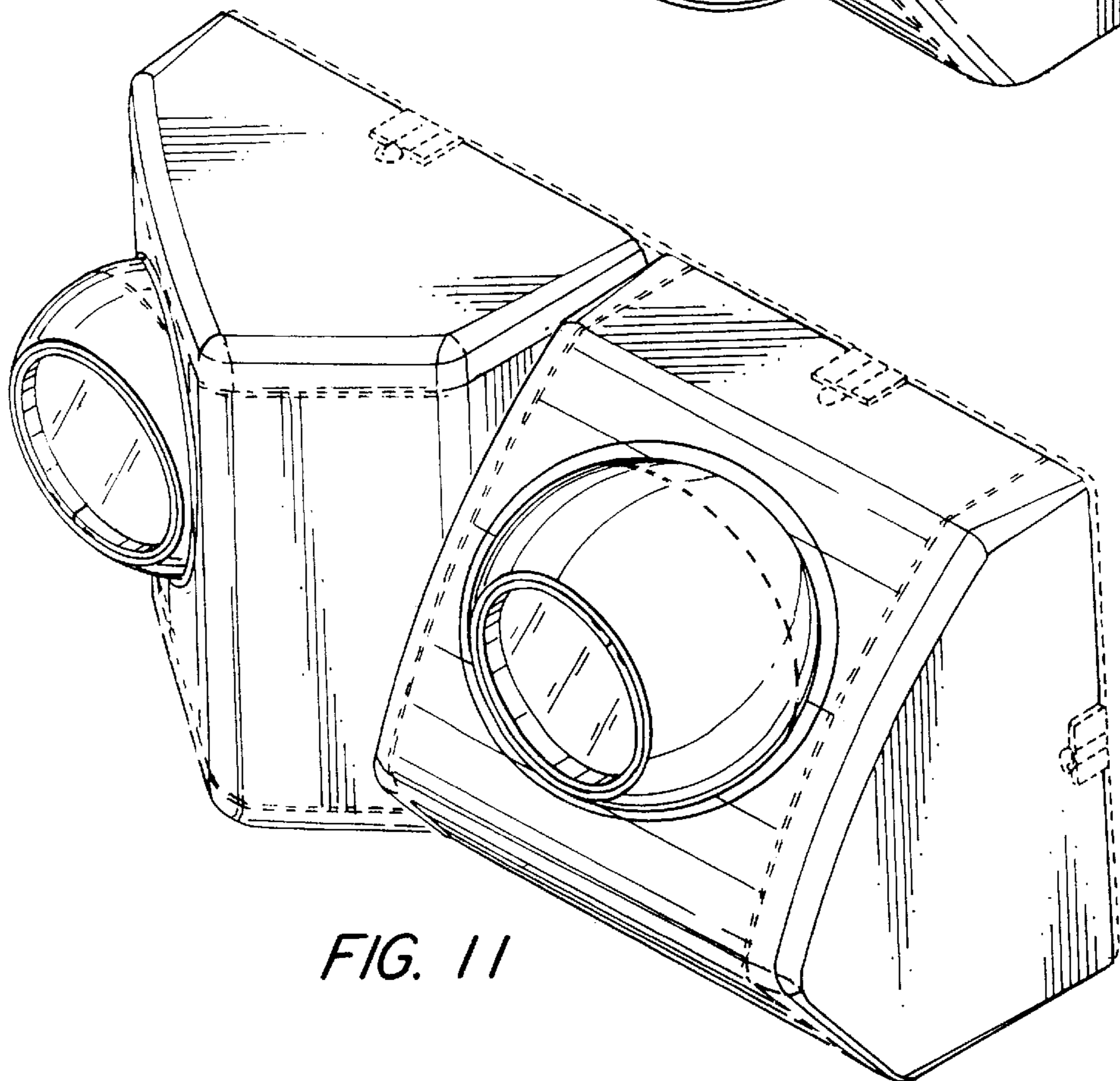


FIG. 11

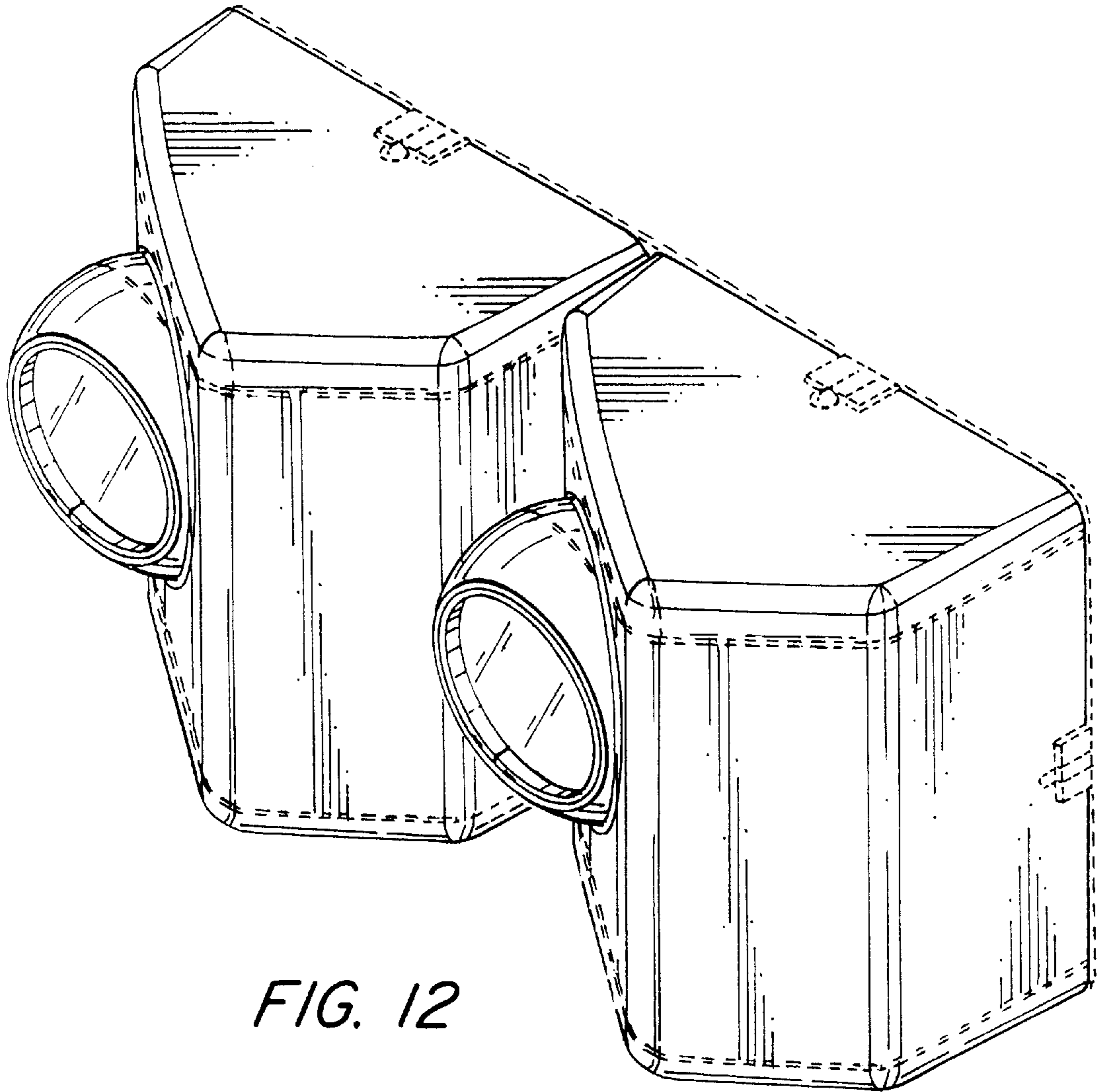


FIG. 12

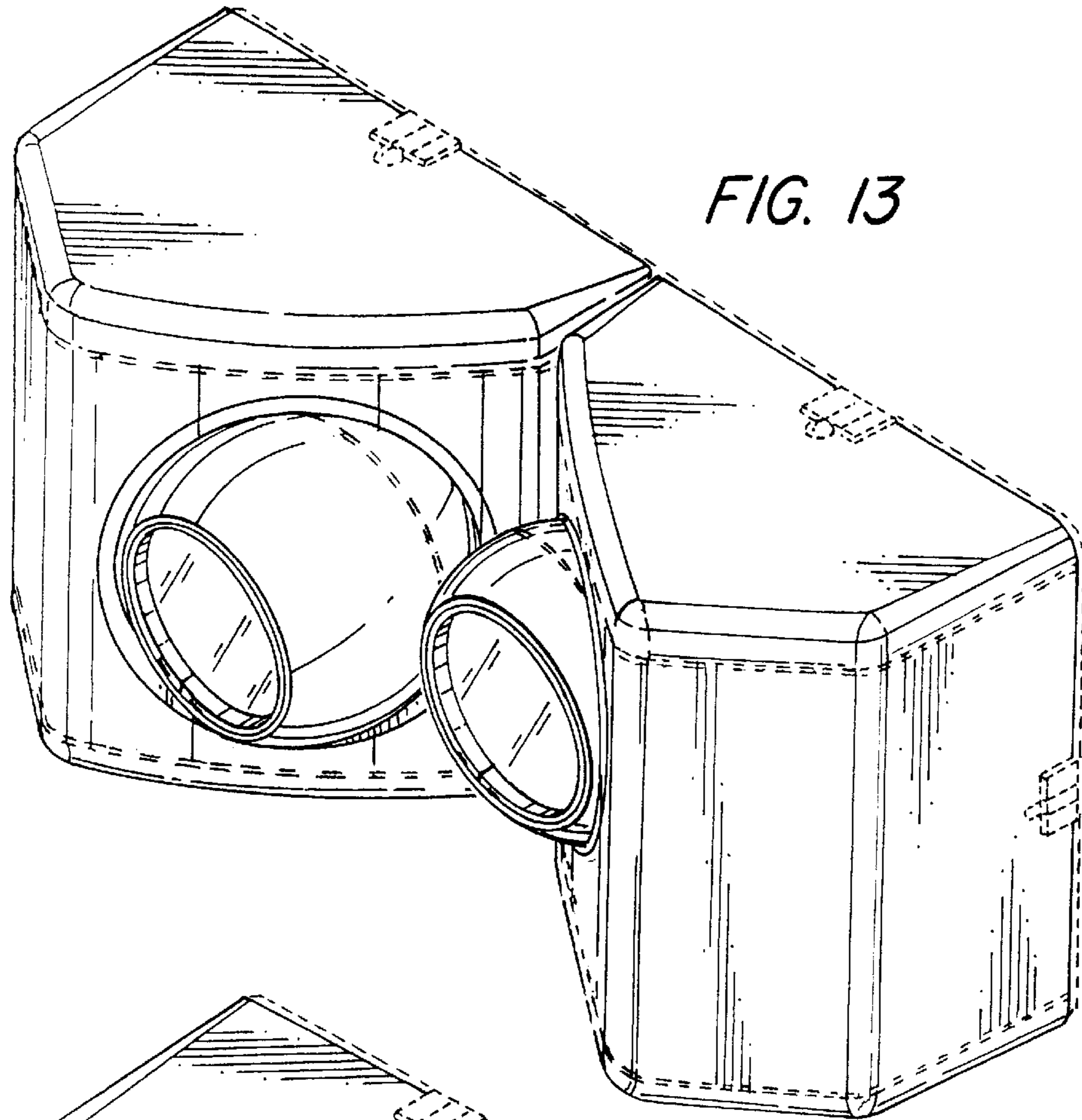


FIG. 13

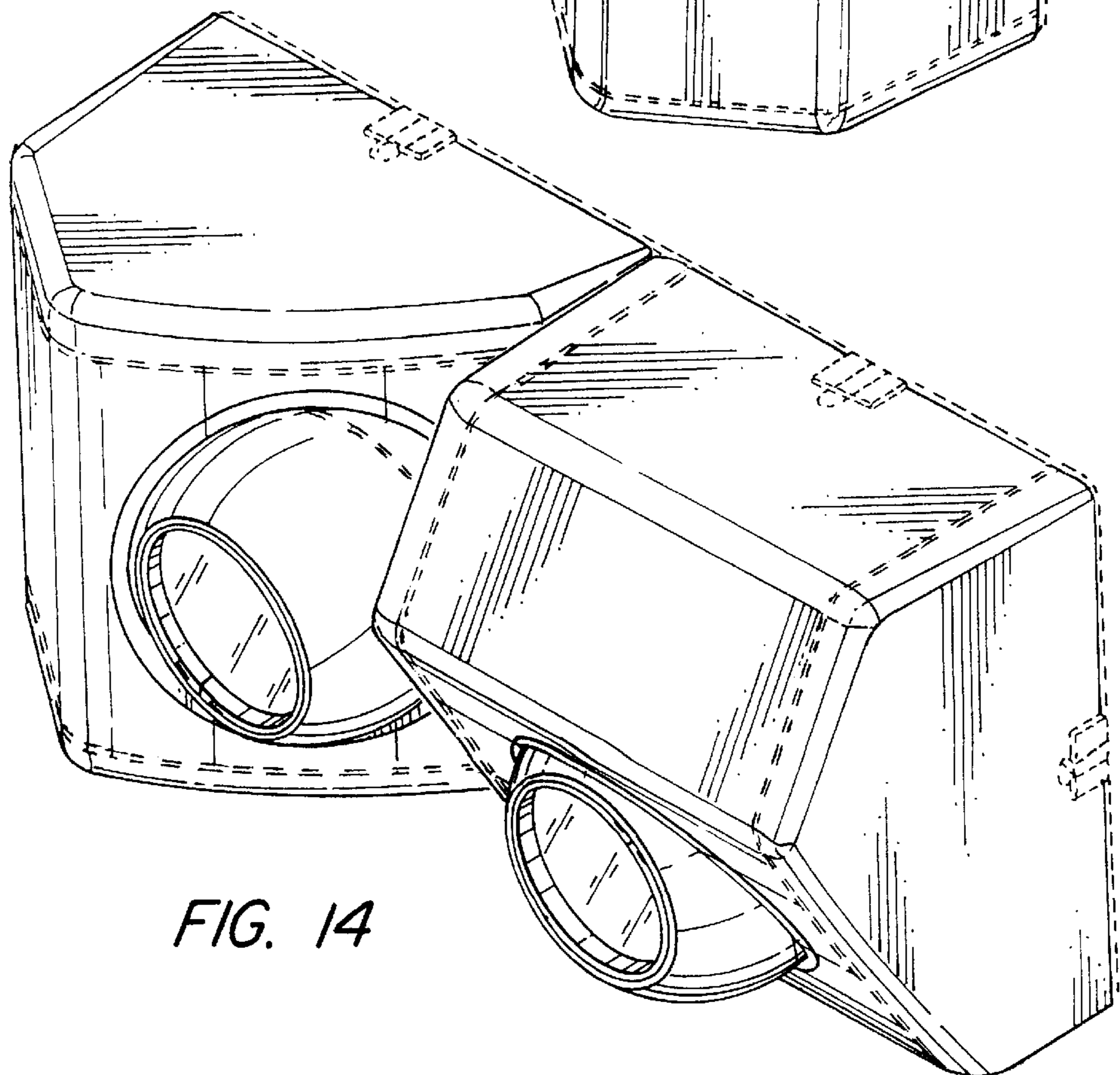
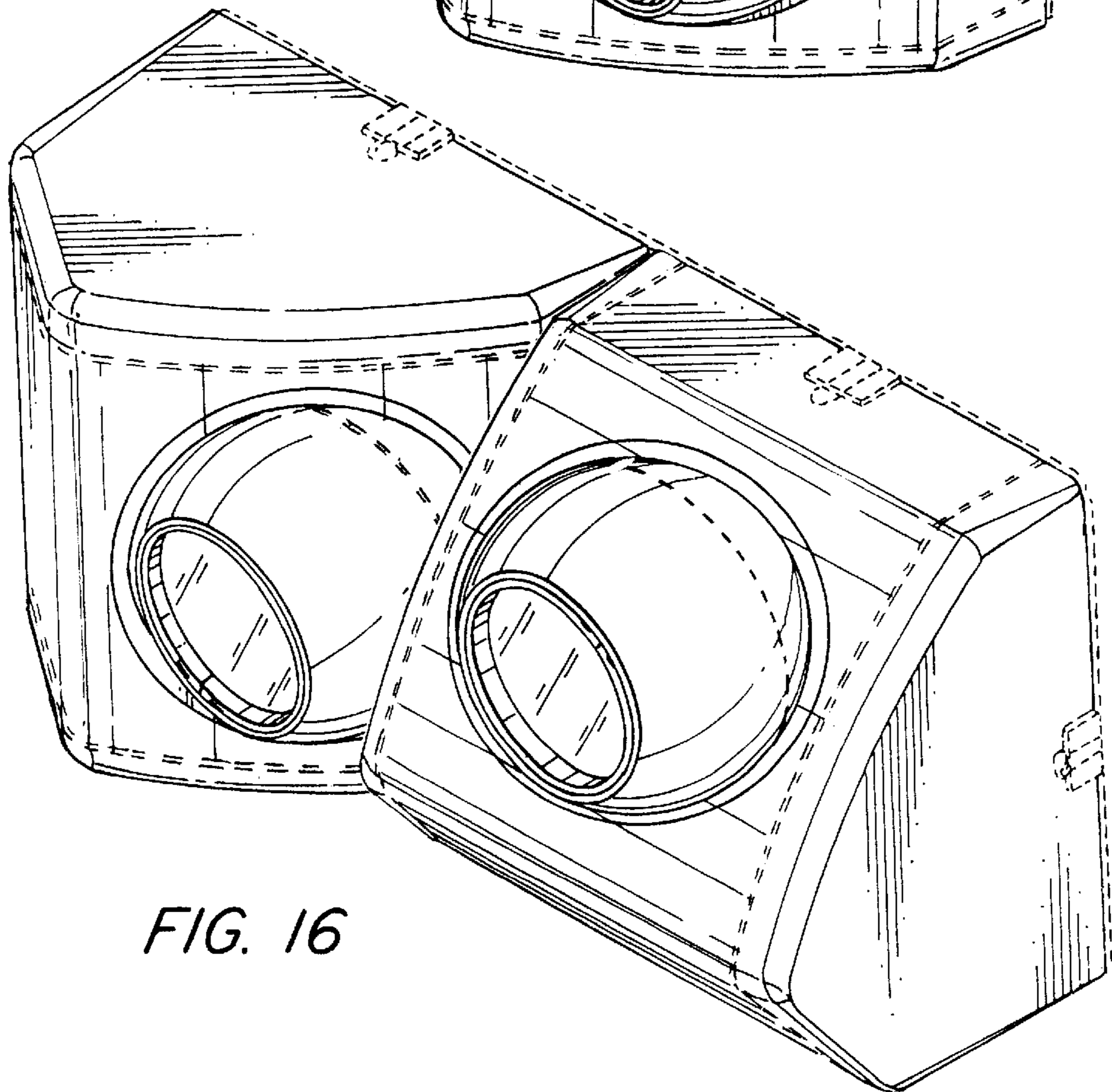
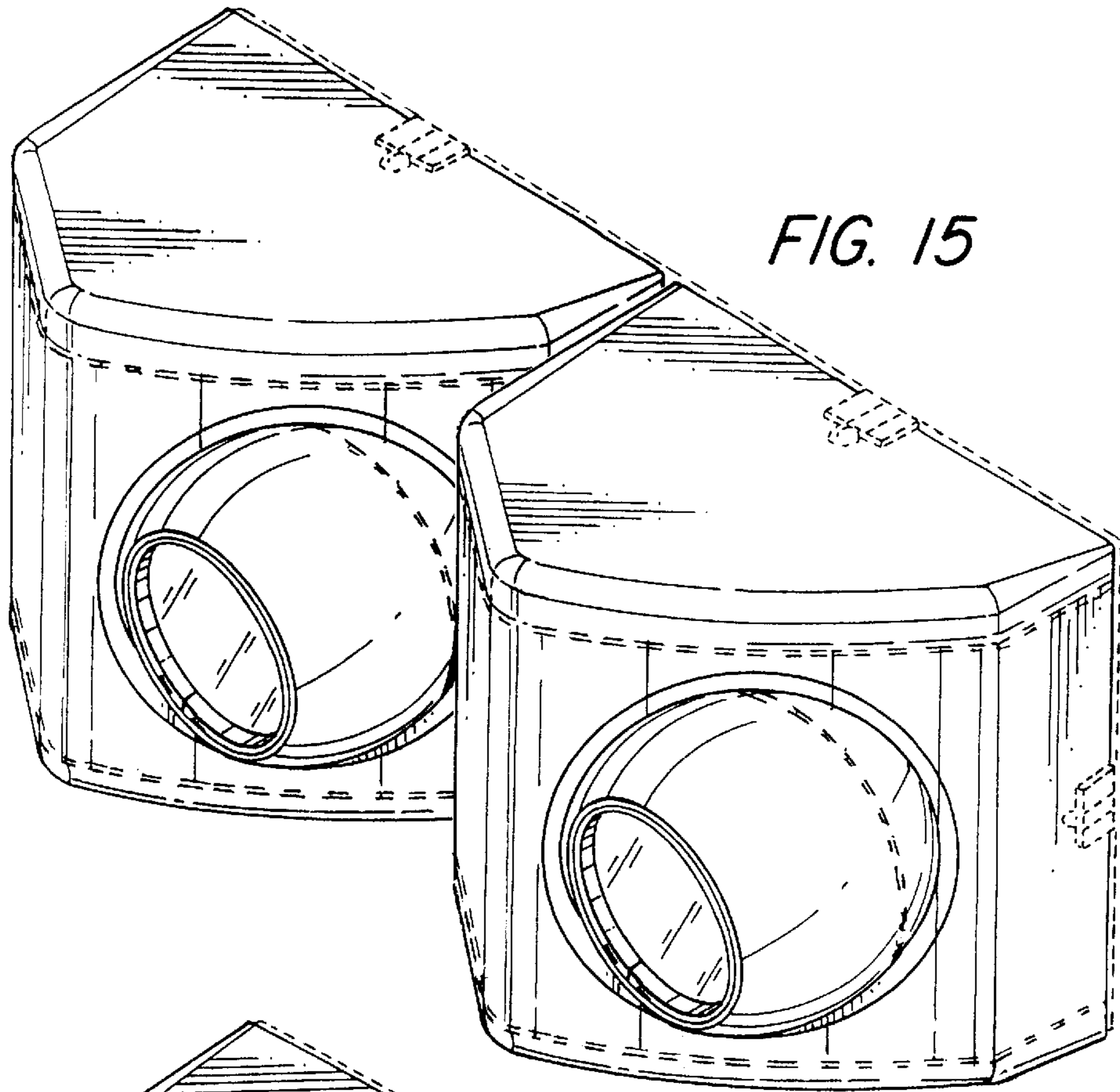


FIG. 14



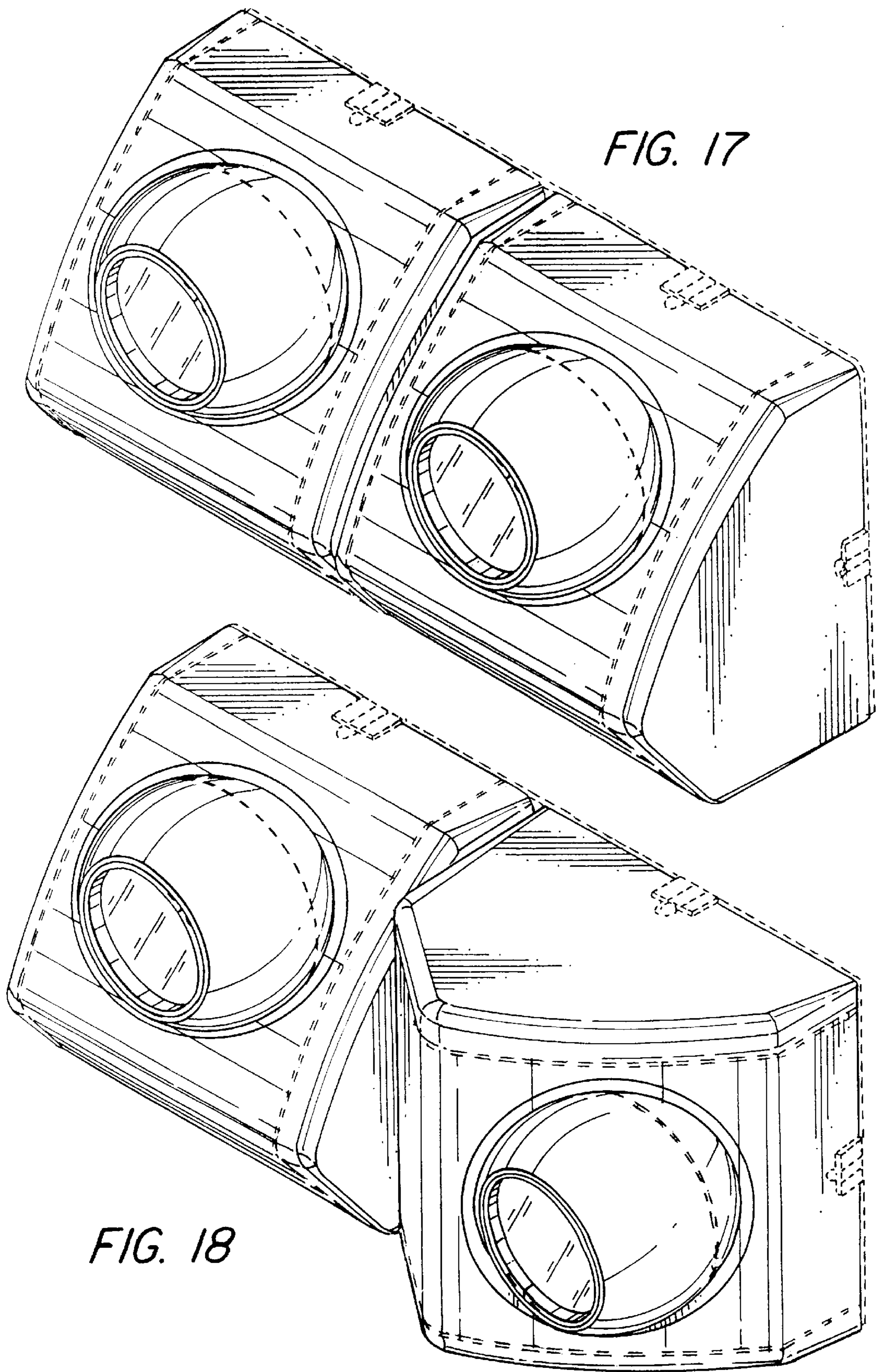


FIG. 17

FIG. 18

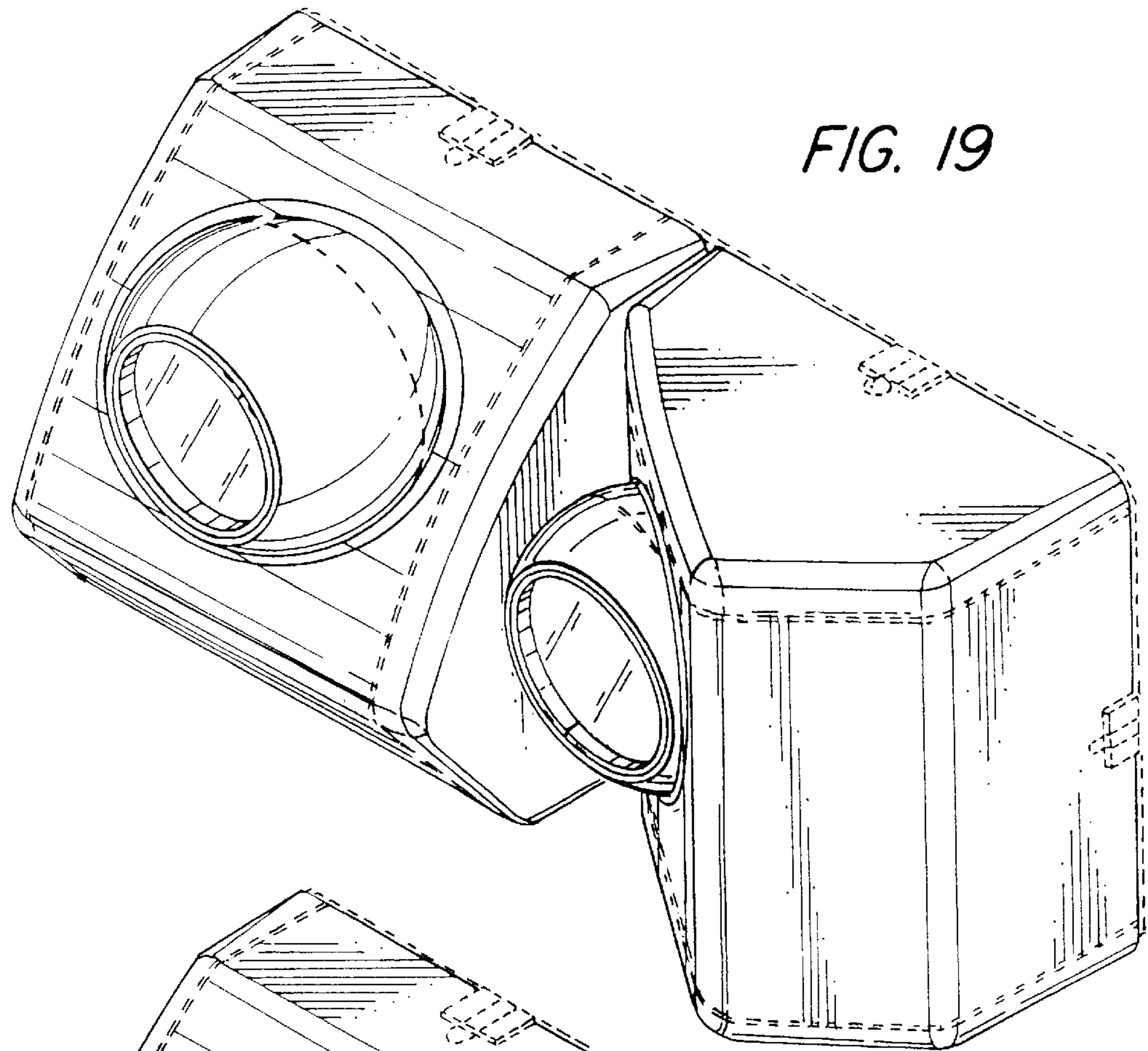


FIG. 19

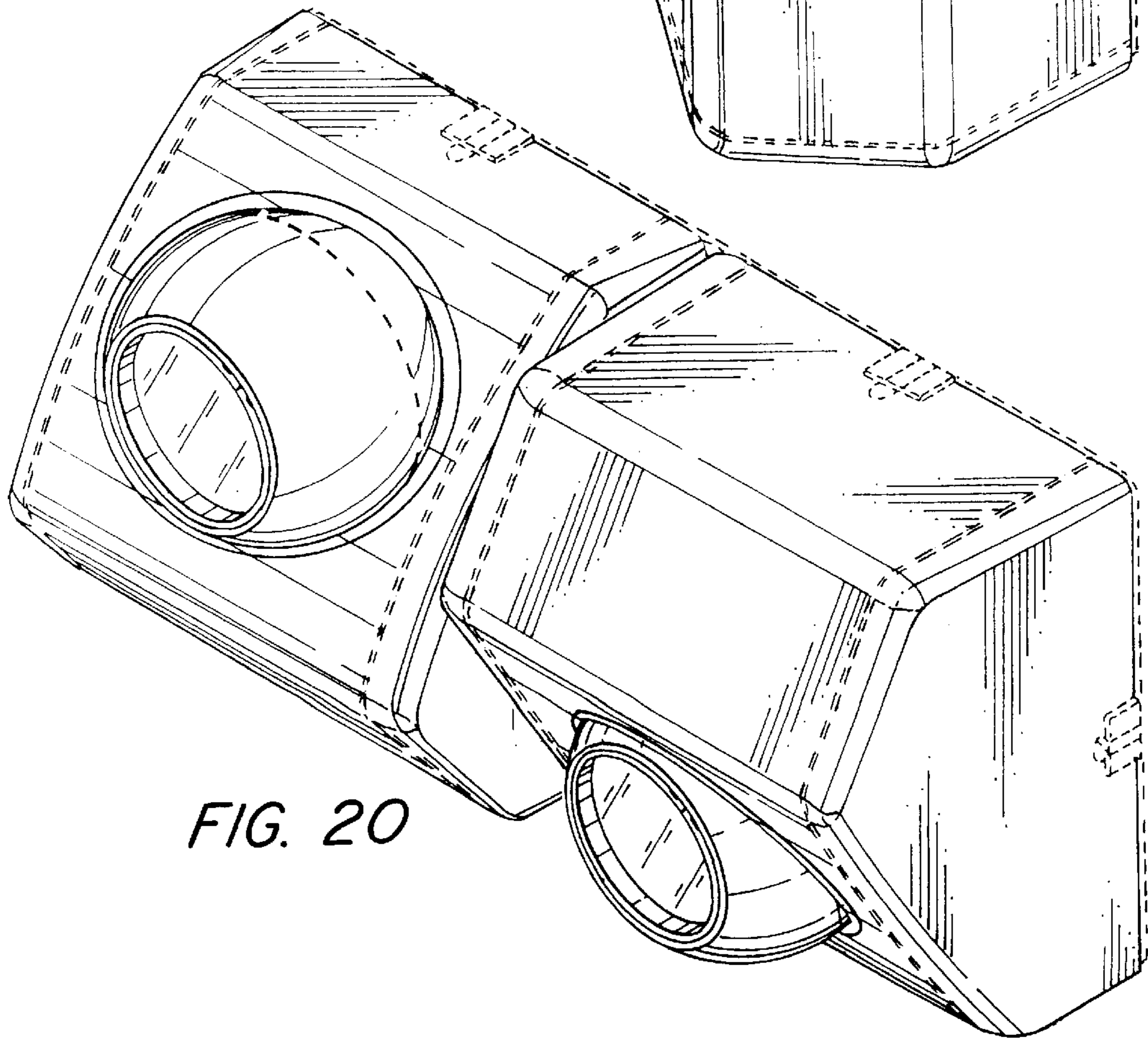
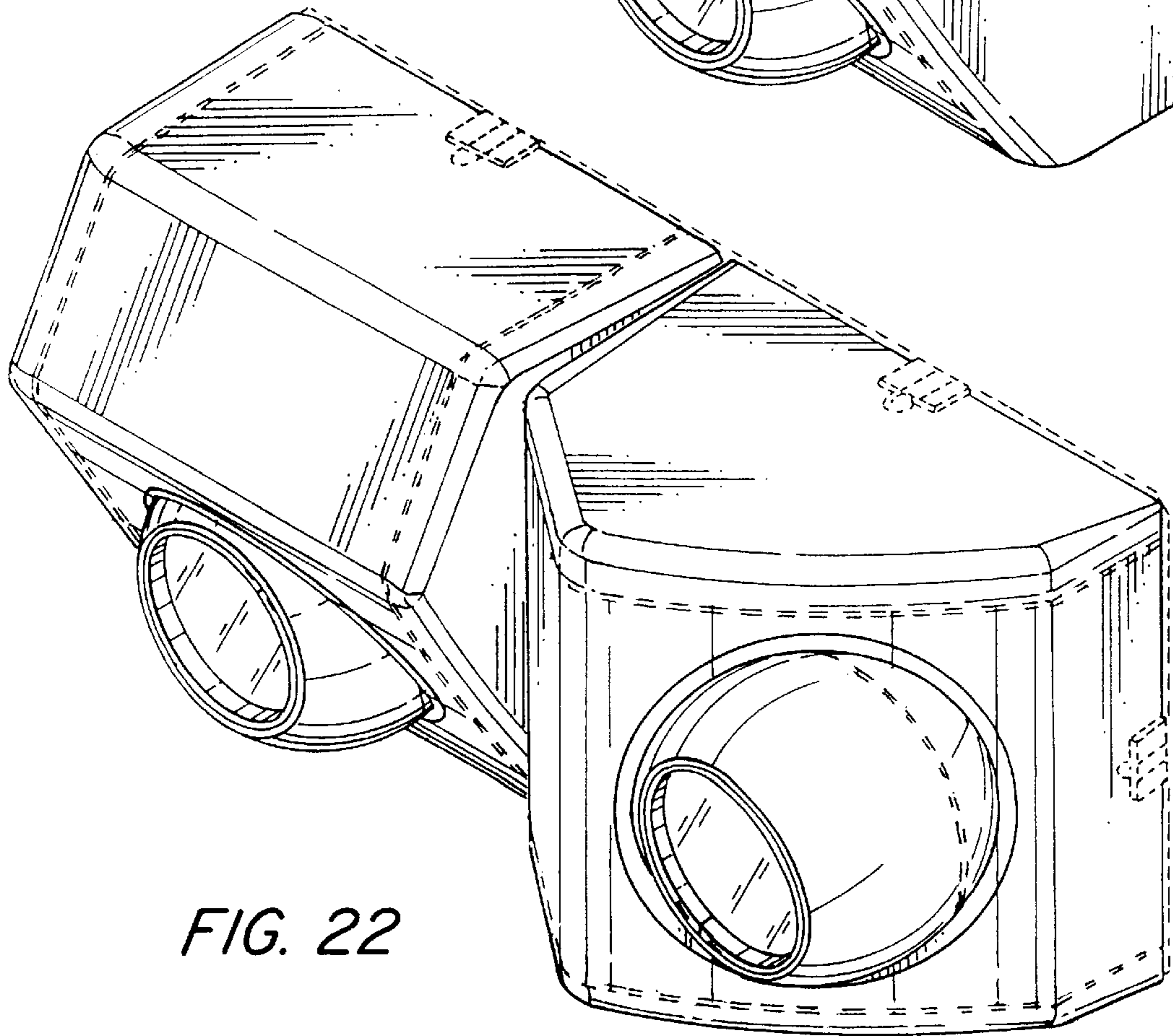
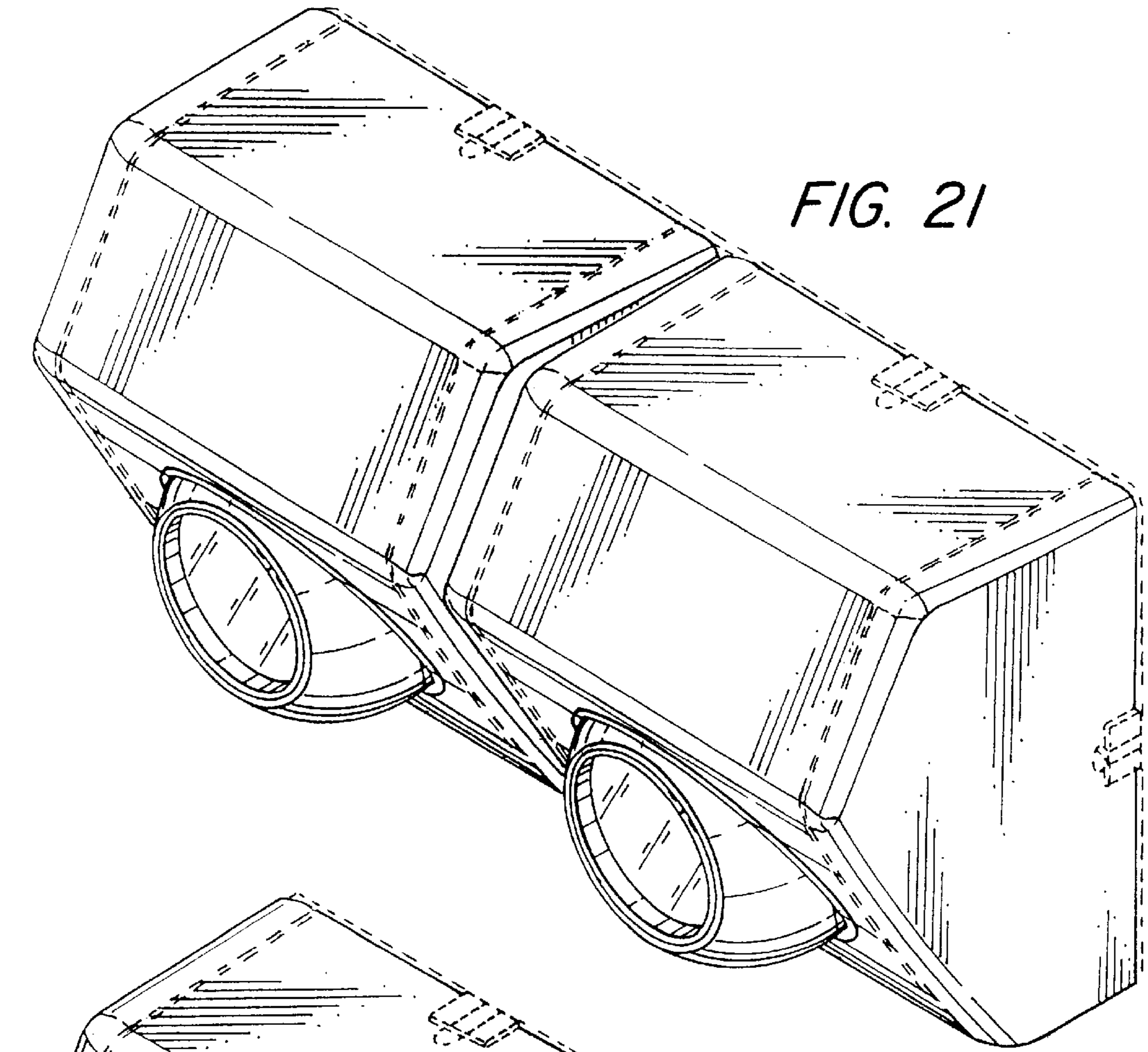


FIG. 20



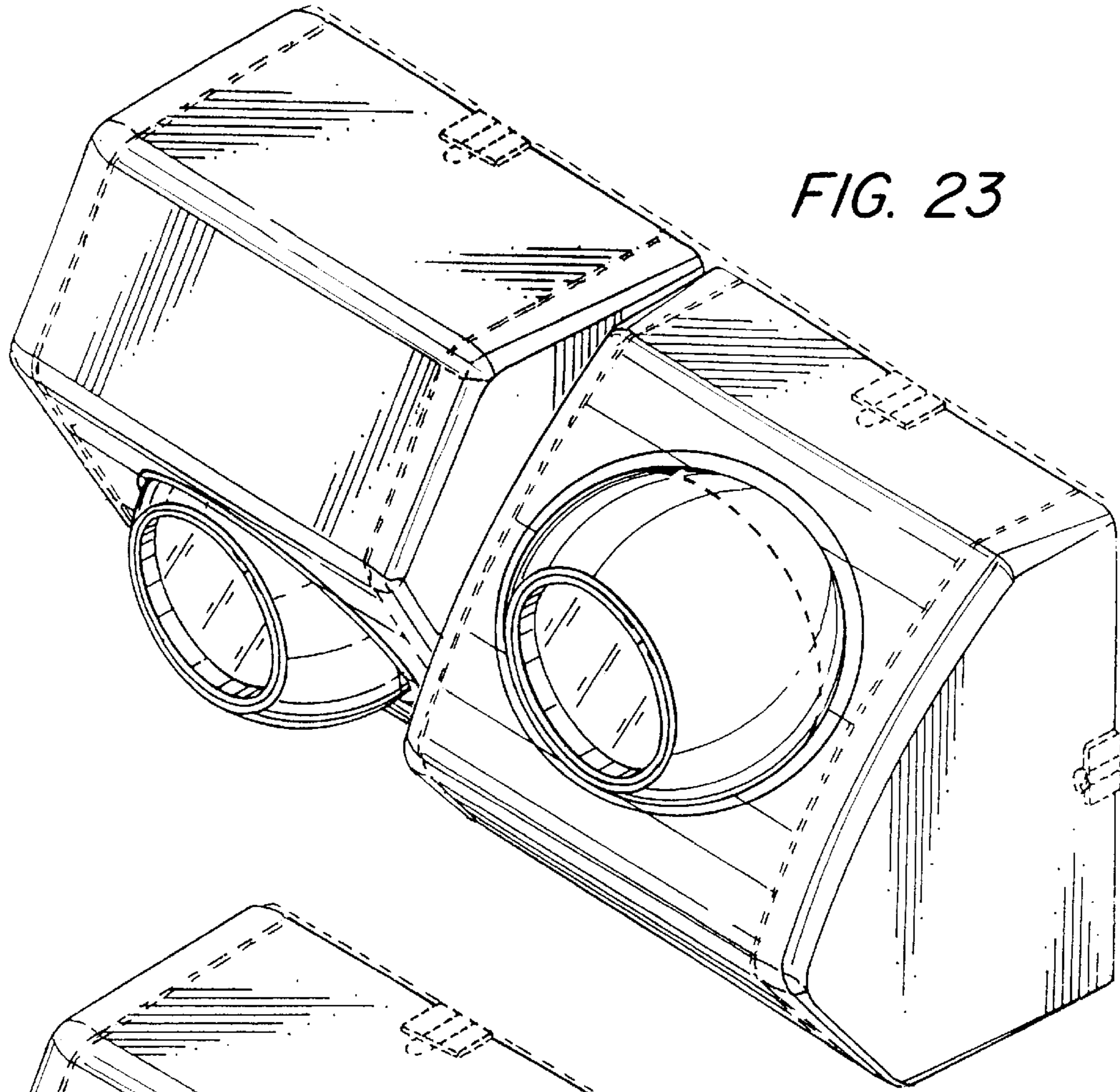


FIG. 23

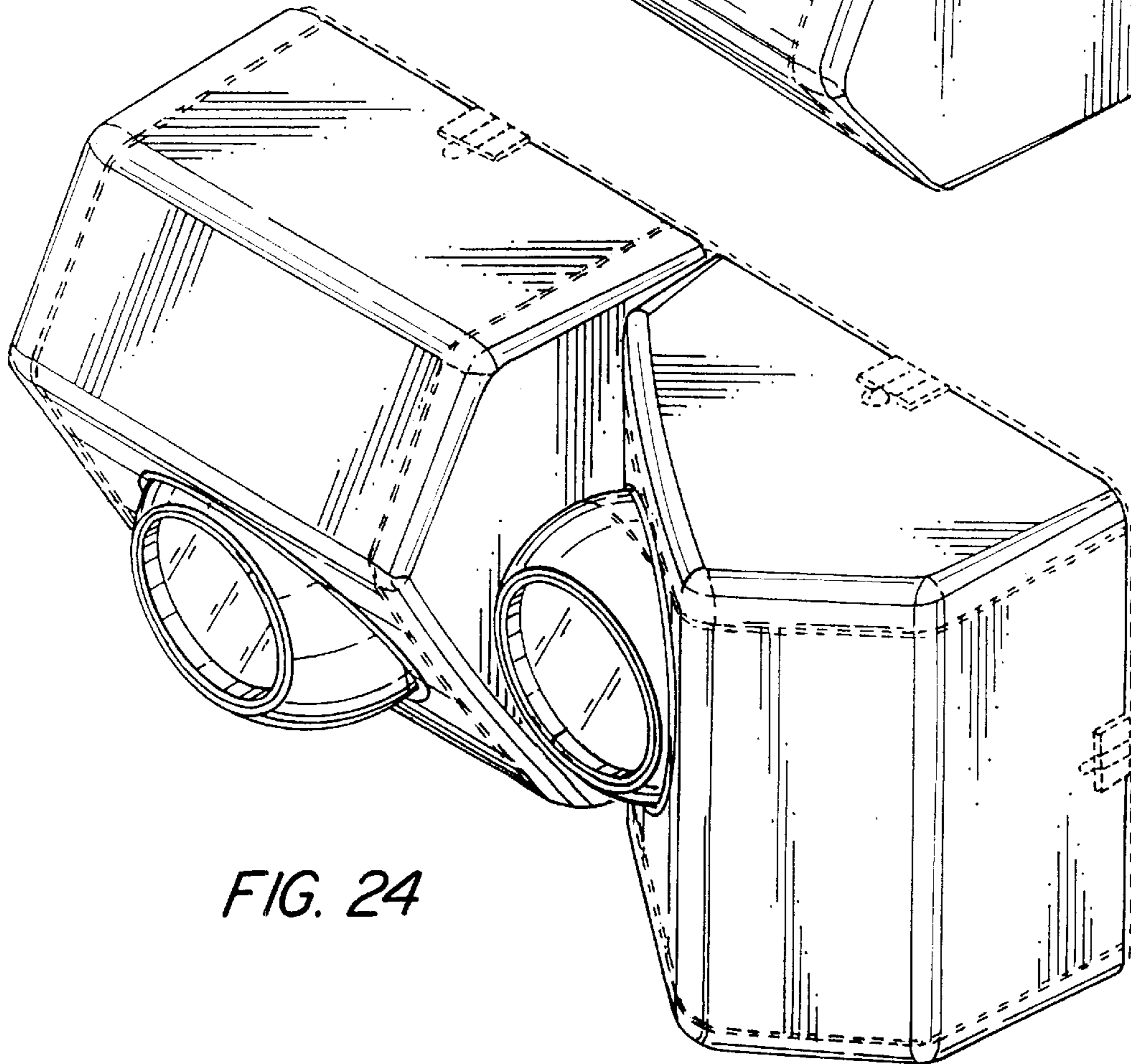


FIG. 24

UNITED STATES PATENT AND TRADEMARK OFFICE
CERTIFICATE OF CORRECTION

PATENT : D426,334
DATED : June 6, 2000
INVENTOR(S): Joseph Wegrzyn et al.

It is certified that error appears in the above-identified patent and that said Letters Patent is hereby corrected as shown below:

On cover page of patent under "U.S. Patent Documents", add the following references:

-- 5,446,634	8/1995	Okubo
4,827,386	5/1989	Mackiewicz
4,460,947	7/1984	Kelly
4,302,798	11/1981	Sit
4,155,111	5/1979	Kelly et al. --

On page 2 of the patent cover, under "Other Publications", in the second column, the publication date of Liteforms Collection-LT Series should be --June 1997-- rather than "Jan. 1997".

Signed and Sealed this
Third Day of April, 2001



NICHOLAS P. GODICI

Attest:

Attesting Officer

Acting Director of the United States Patent and Trademark Office