



US00D426333S

# United States Patent [19] Gilmer

[11] **Patent Number: Des. 426,333**  
[45] **Date of Patent: \*\* Jun. 6, 2000**

[54] **LIGHTING DEVICE FOR THERMOSTATS**

[76] Inventor: **Jan C. Gilmer**, 1213 4th Ave., Howard Lake, Minn. 55349

[\*\*] Term: **14 Years**

[21] Appl. No.: **29/092,272**

[22] Filed: **Aug. 14, 1998**

[51] **LOC (7) Cl. .... 26-05**

[52] **U.S. Cl. .... D26/51**

[58] **Field of Search** ..... D26/51, 72, 87, D26/85, 92; 362/147, 432, 85, 92, 95, 353, 23; D10/50, 51; 374/208; 428/31; 73/431

[56] **References Cited**

**U.S. PATENT DOCUMENTS**

D. 136,850	12/1943	Dreyfuss	.....	D10/51
D. 190,050	4/1961	Duncan	.....	D10/51
D. 390,482	2/1998	Pasquarette .		
2,206,437	7/1940	Tracy	.....	73/431
4,582,251	4/1986	Odom, Jr. et al. .		
4,891,252	1/1990	Kaiser, Jr.	.....	428/31
4,895,455	1/1990	Horning .		
5,113,318	5/1992	Conley .		
5,303,612	4/1994	Odom et al. .		
5,491,615	2/1996	Nichols .		

*Primary Examiner*—Freda Nunn  
*Attorney, Agent, or Firm*—Anthony G. Eggink

[57] **CLAIM**

The ornamental design for a lighting device for thermostats, as shown and described.

**DESCRIPTION**

FIG. 1 is an elevational view taken from the front of the

thermostat lighting device of my invention and showing the unitary device including a hood and thermostat cover design;

FIG. 2 is a rear elevational view of the thermostat lighting device of FIG. 1;

FIG. 3 is an elevational view taken from the side thereof, the opposite side being a mirror image thereof;

FIG. 4 is a top view thereof;

FIG. 5 is a bottom view thereof;

FIG. 6 is an alternate embodiment of the rear of the thermostat lighting device of FIG. 2, the undisclosed views are identical to those shown in the first embodiment;

FIG. 7 is a front elevational view of another embodiment of my invention;

FIG. 8 is a rear elevational view of the lighting device of FIG. 7;

FIG. 9 is an elevational view taken from the side thereof, the opposite side being a mirror image thereof;

FIG. 10 is a top view thereof;

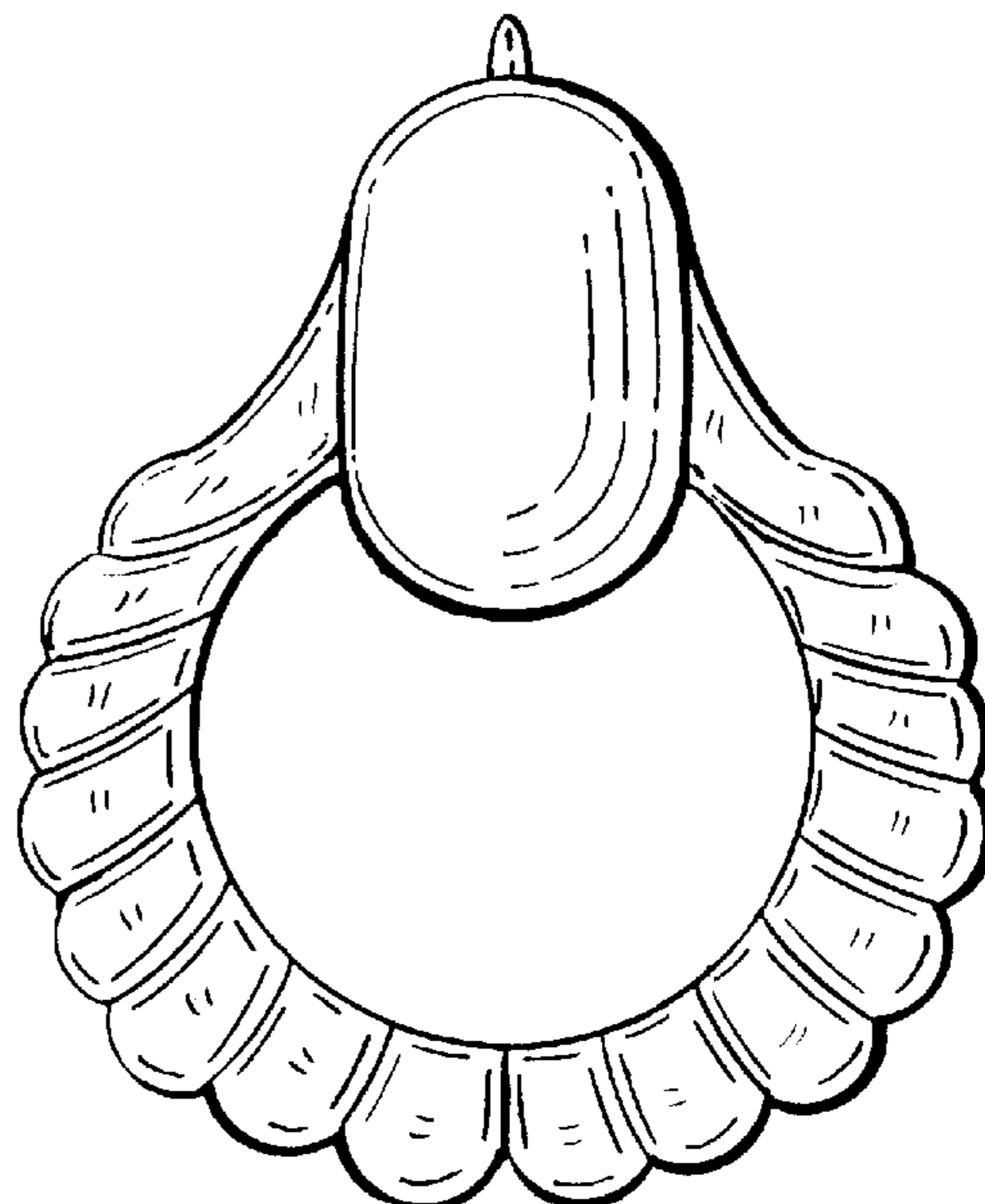
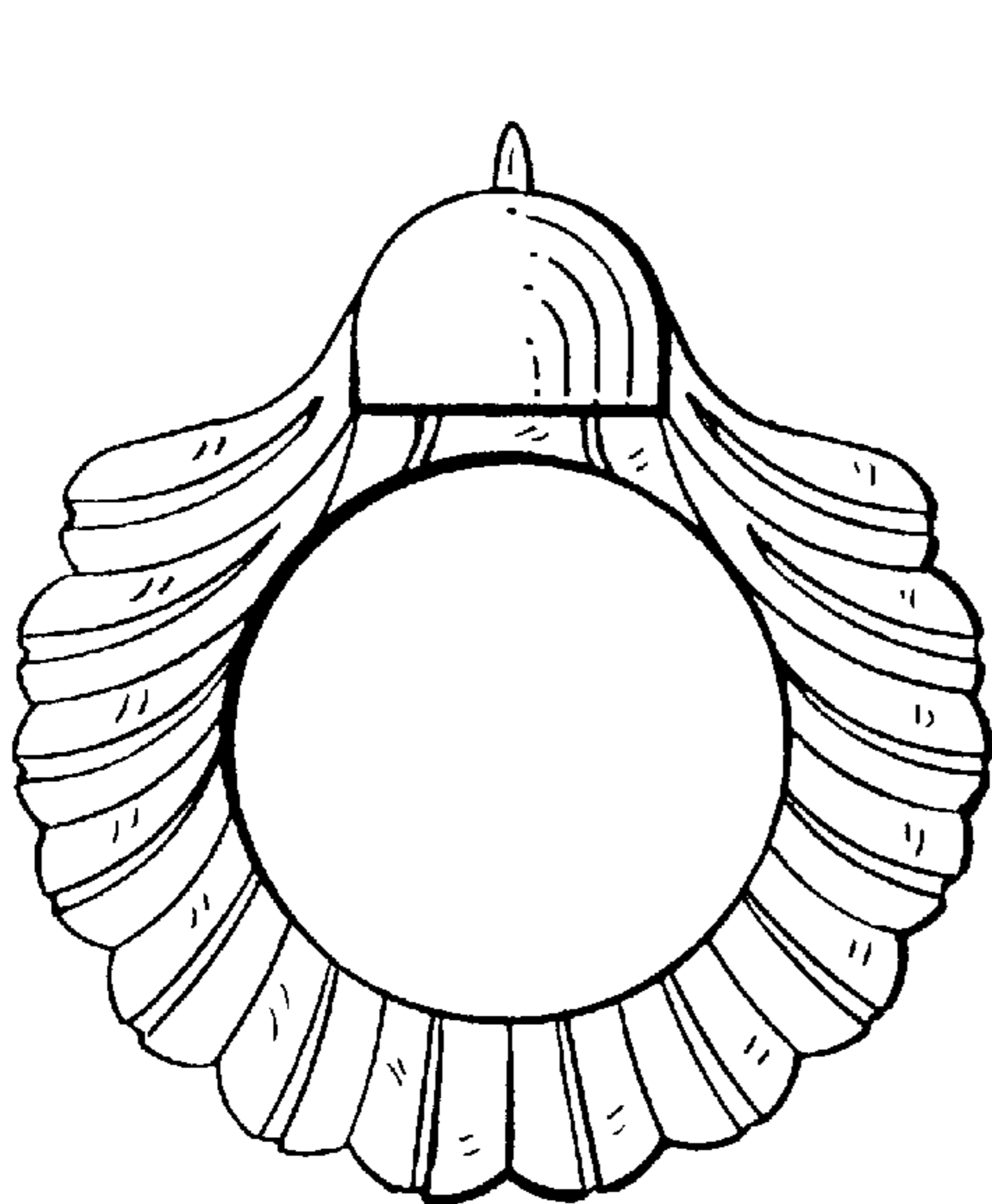
FIG. 11 is a bottom view thereof;

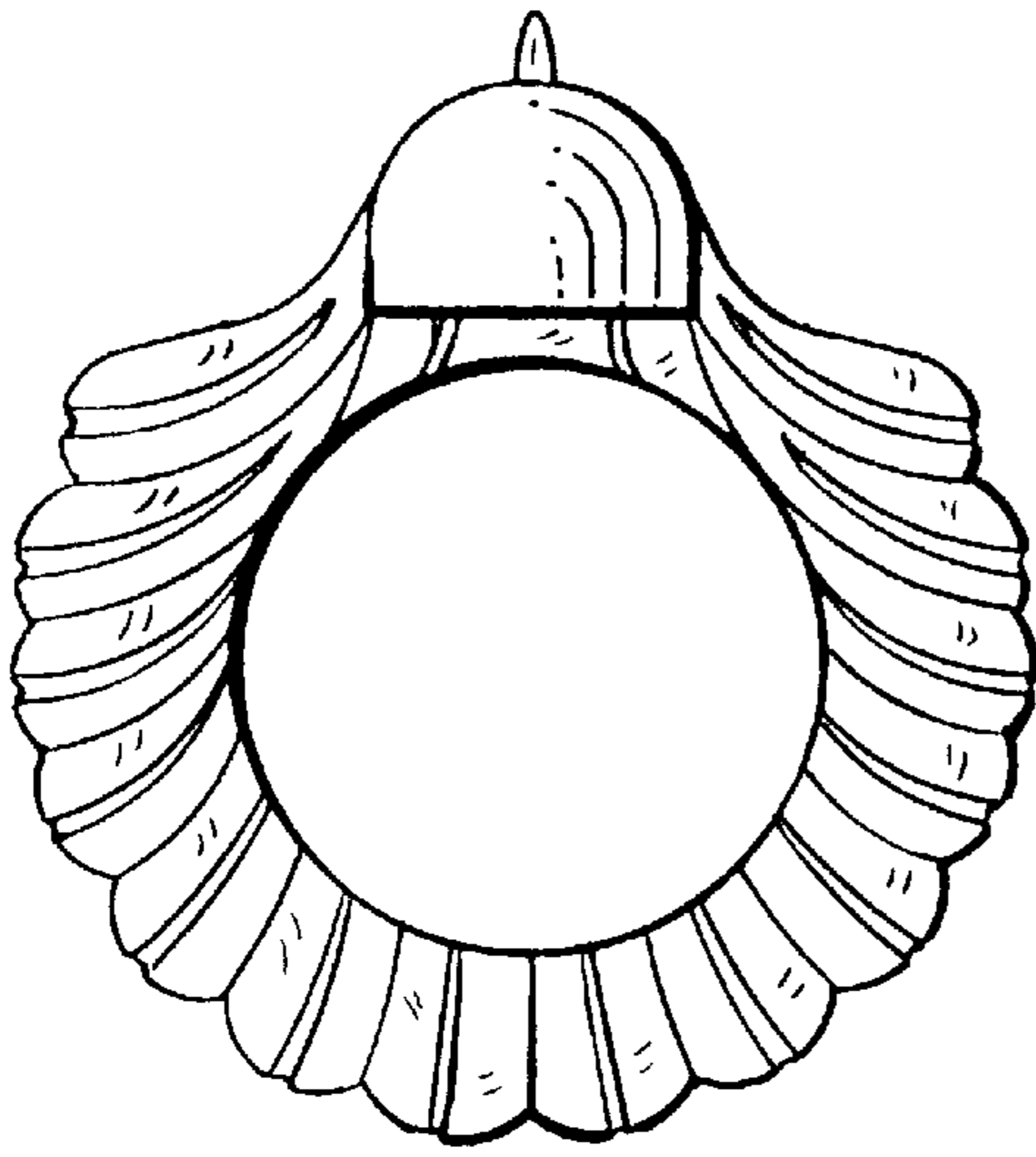
FIG. 12 is a front elevational view of an alternate embodiment of the thermostat lighting device of FIG. 7;

FIG. 13 is a rear elevational view thereof, the side, top and bottom views of this embodiment being the same as shown in FIGS. 9, 10 and 11, respectively; and,

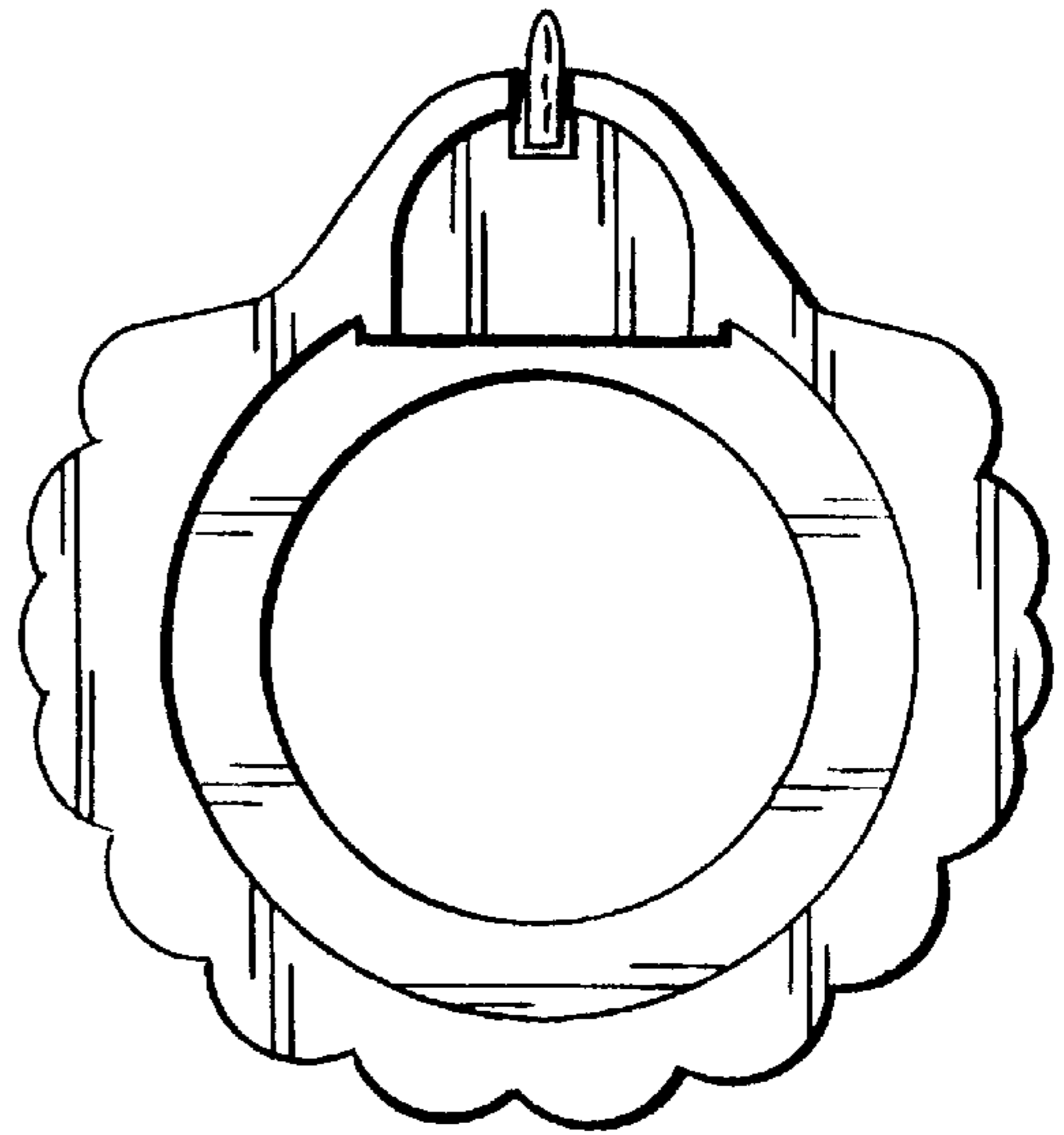
FIG. 14 is an alternate embodiment of the rear of the thermostat lighting device of FIG. 12, the side, top and bottom views of this embodiment being the same as shown in FIGS. 9, 10, and 11, respectively.

**1 Claim, 4 Drawing Sheets**

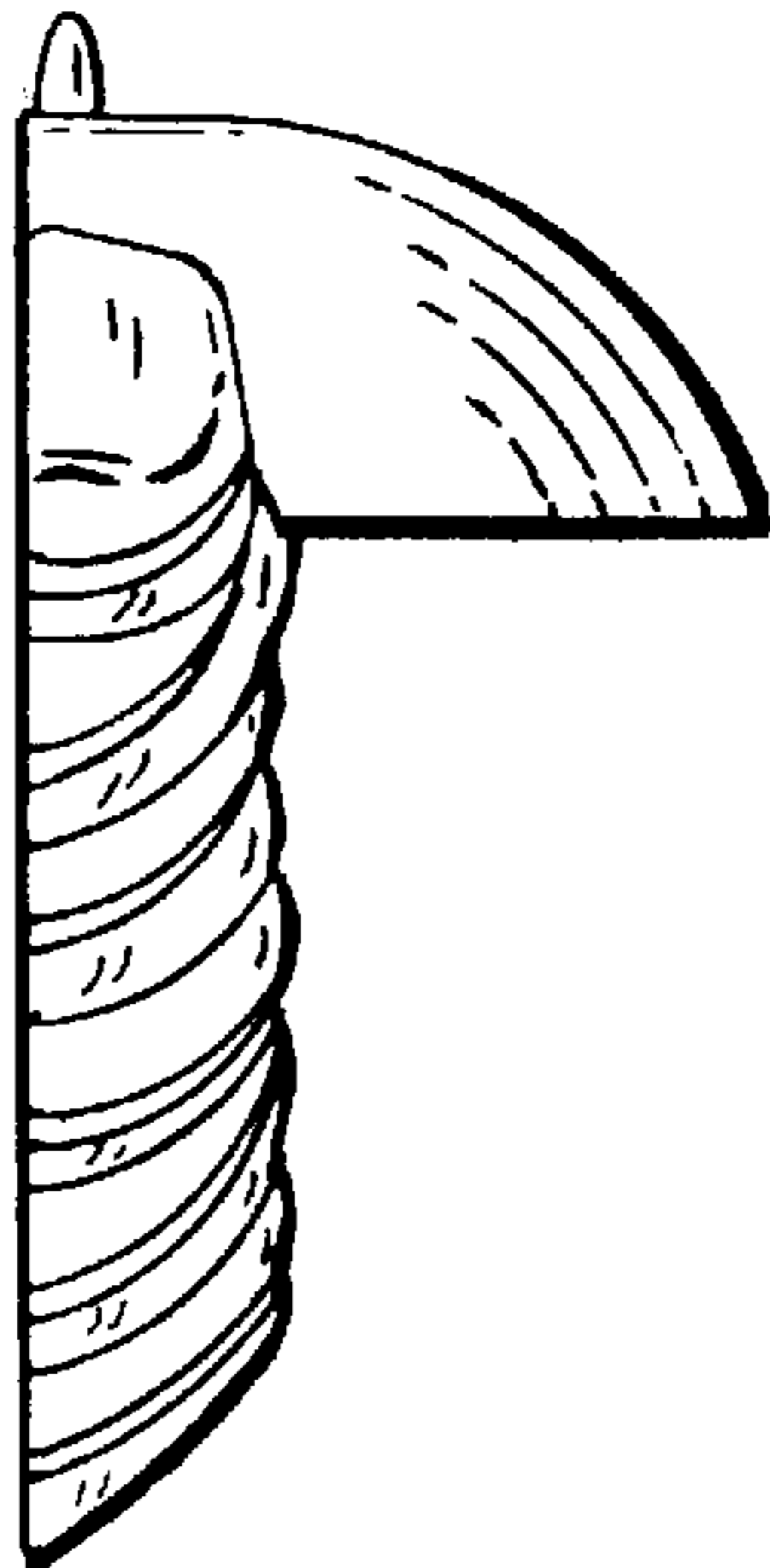




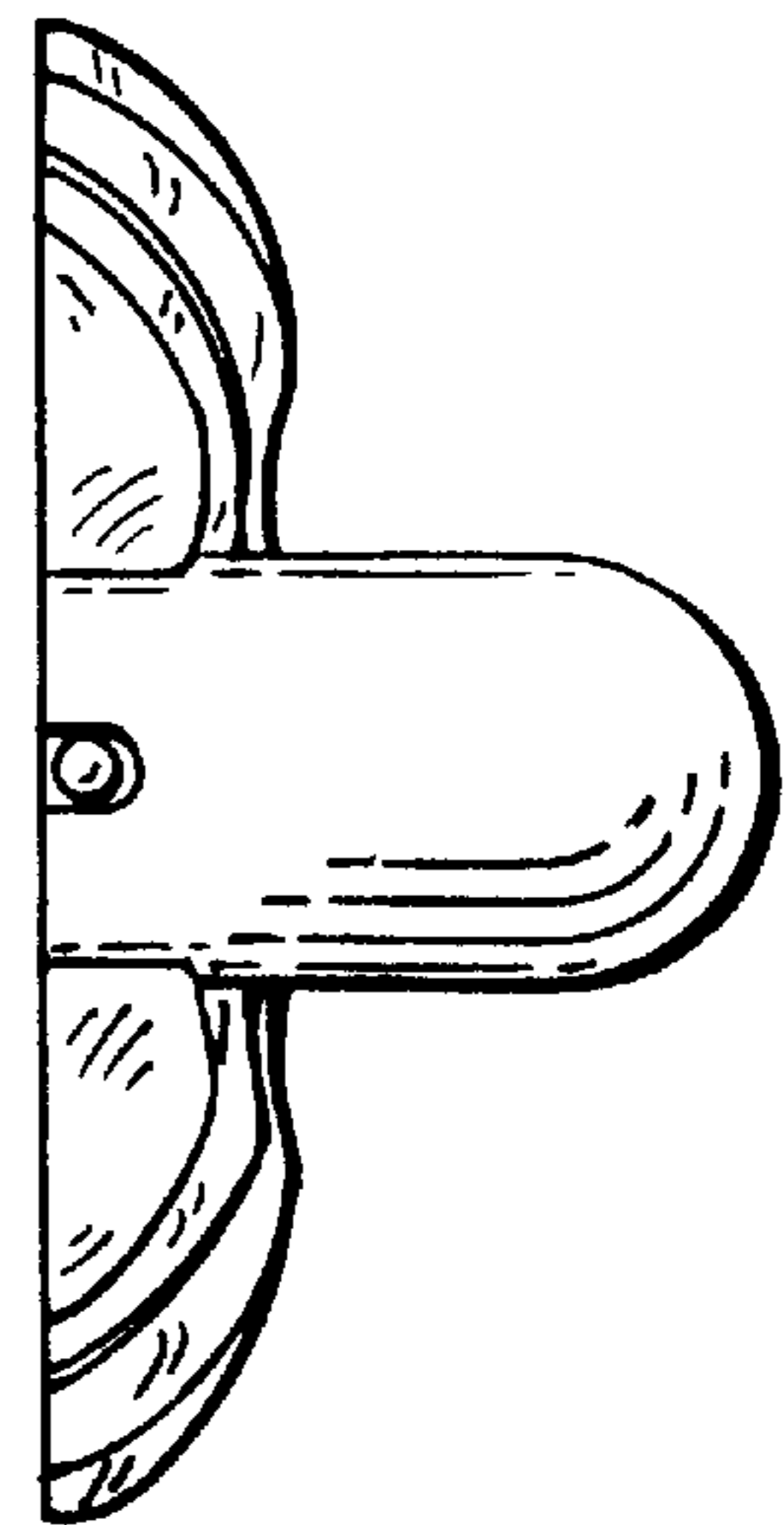
**FIG. 1**



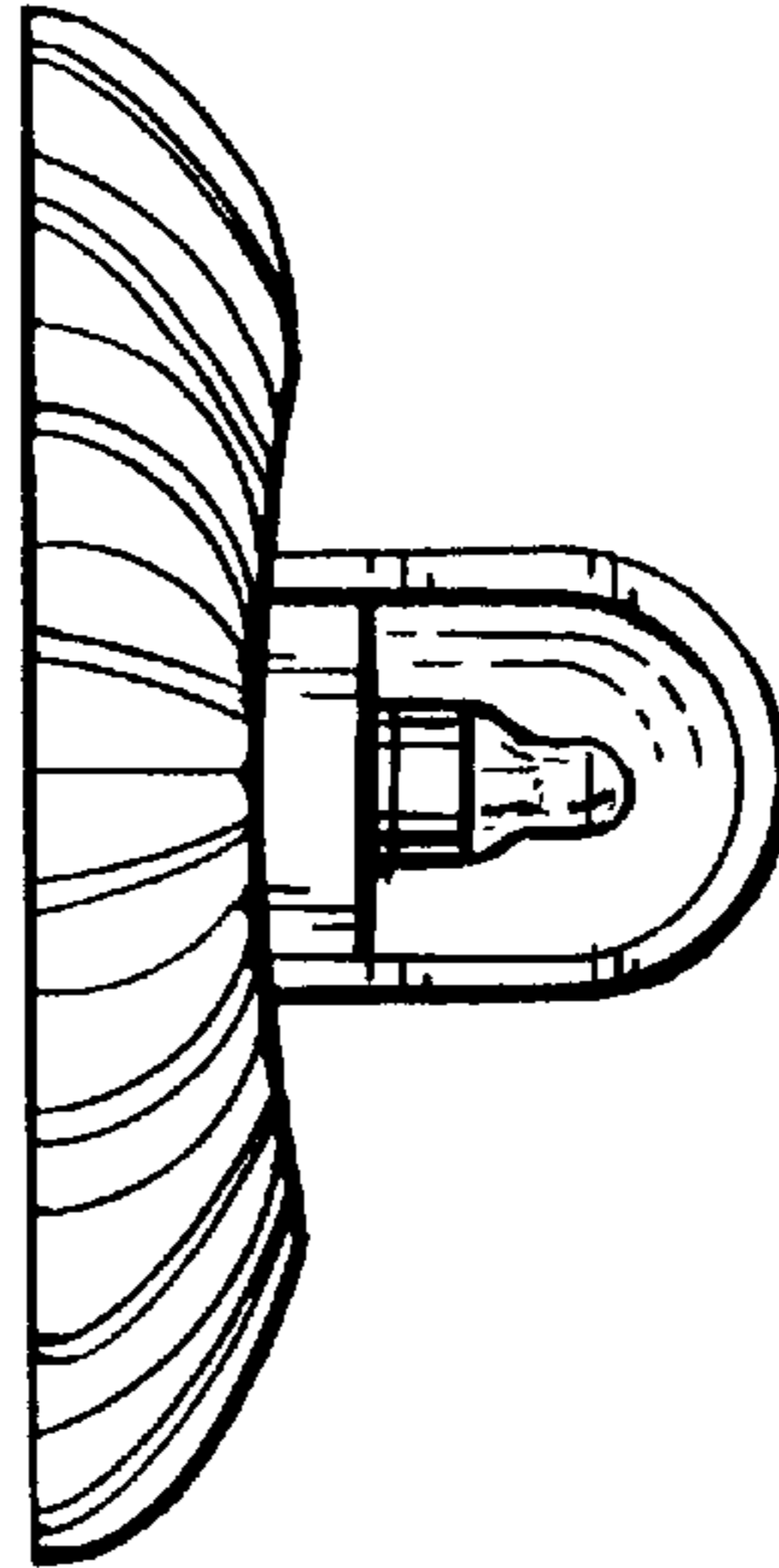
**FIG. 2**



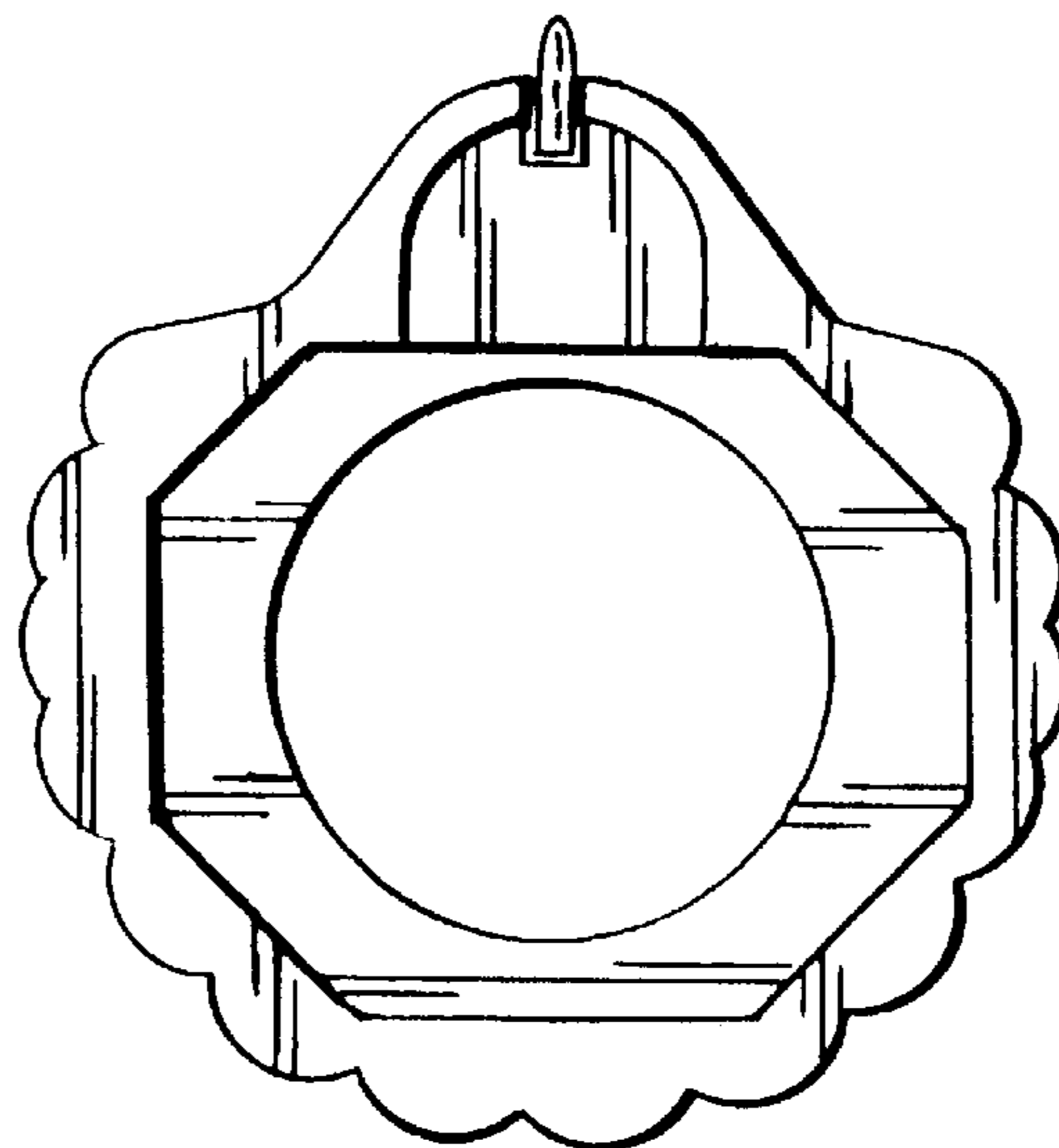
**FIG. 3**



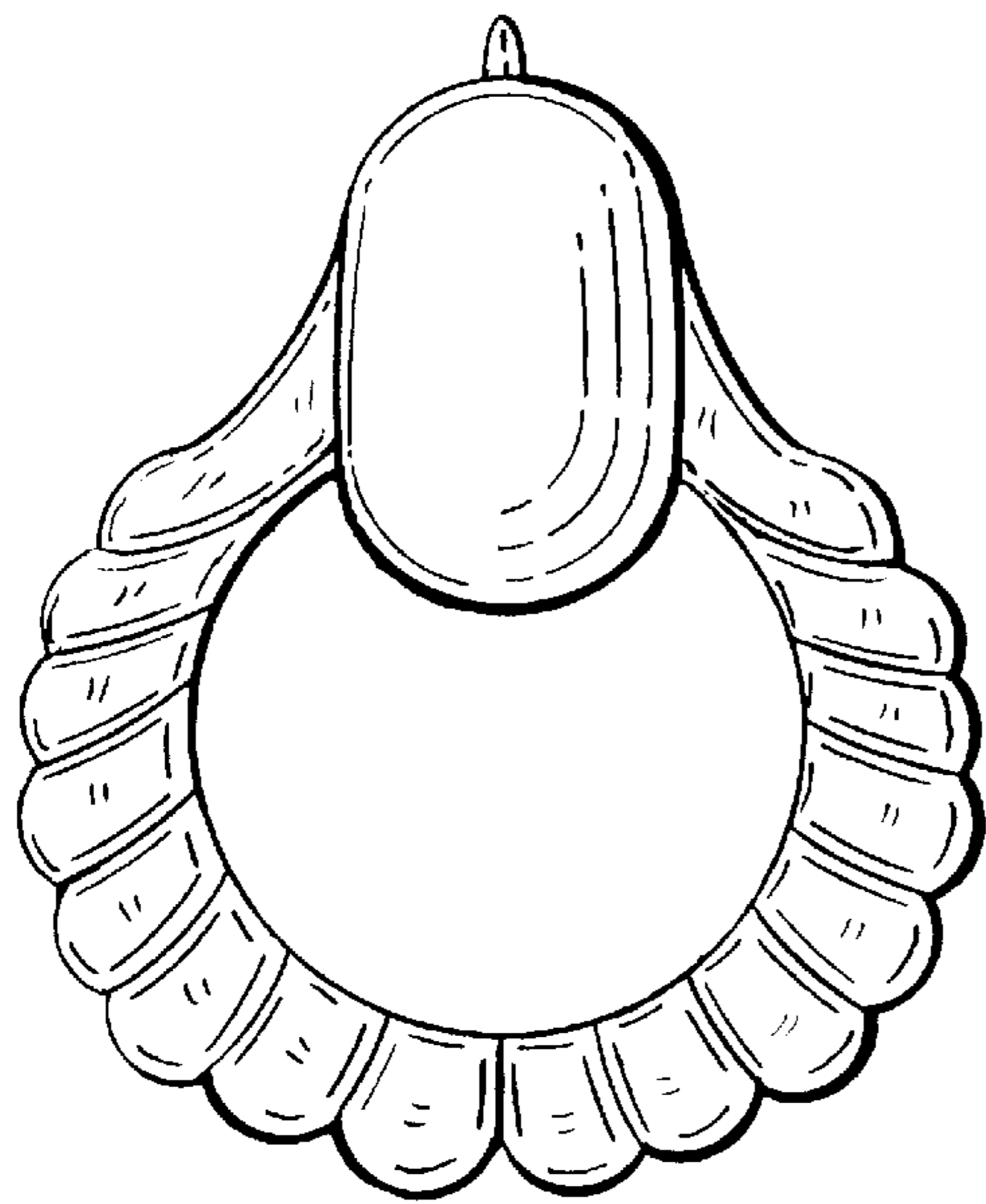
**FIG. 4**



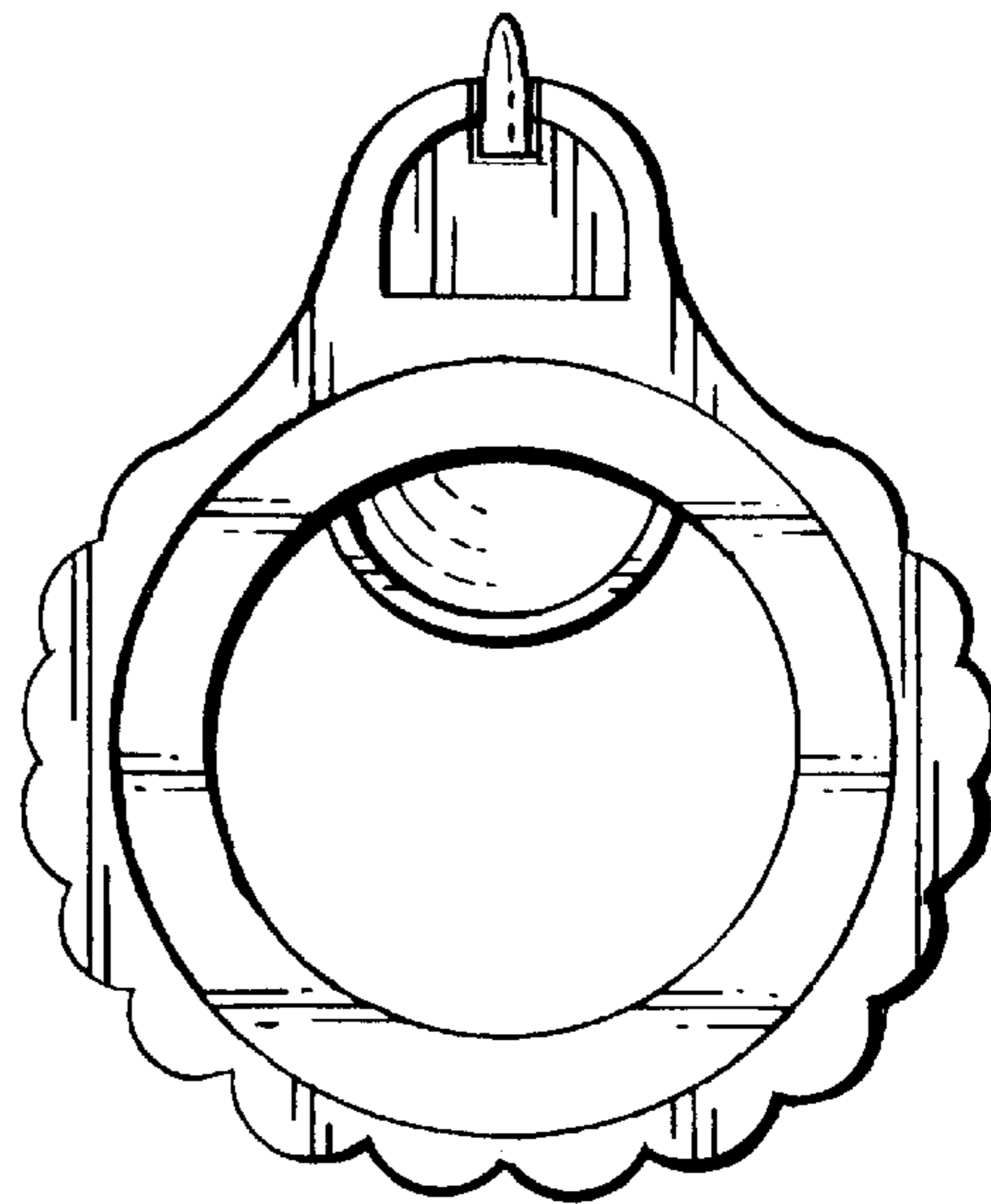
**FIG. 5**



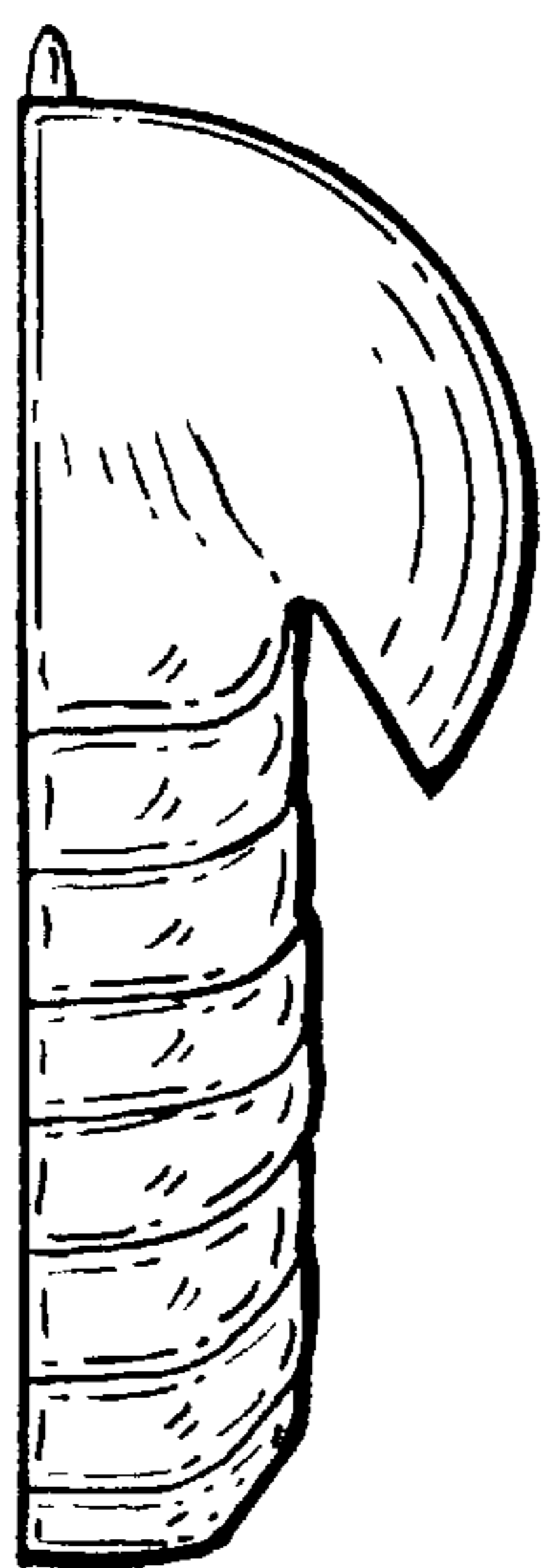
**FIG. 6**



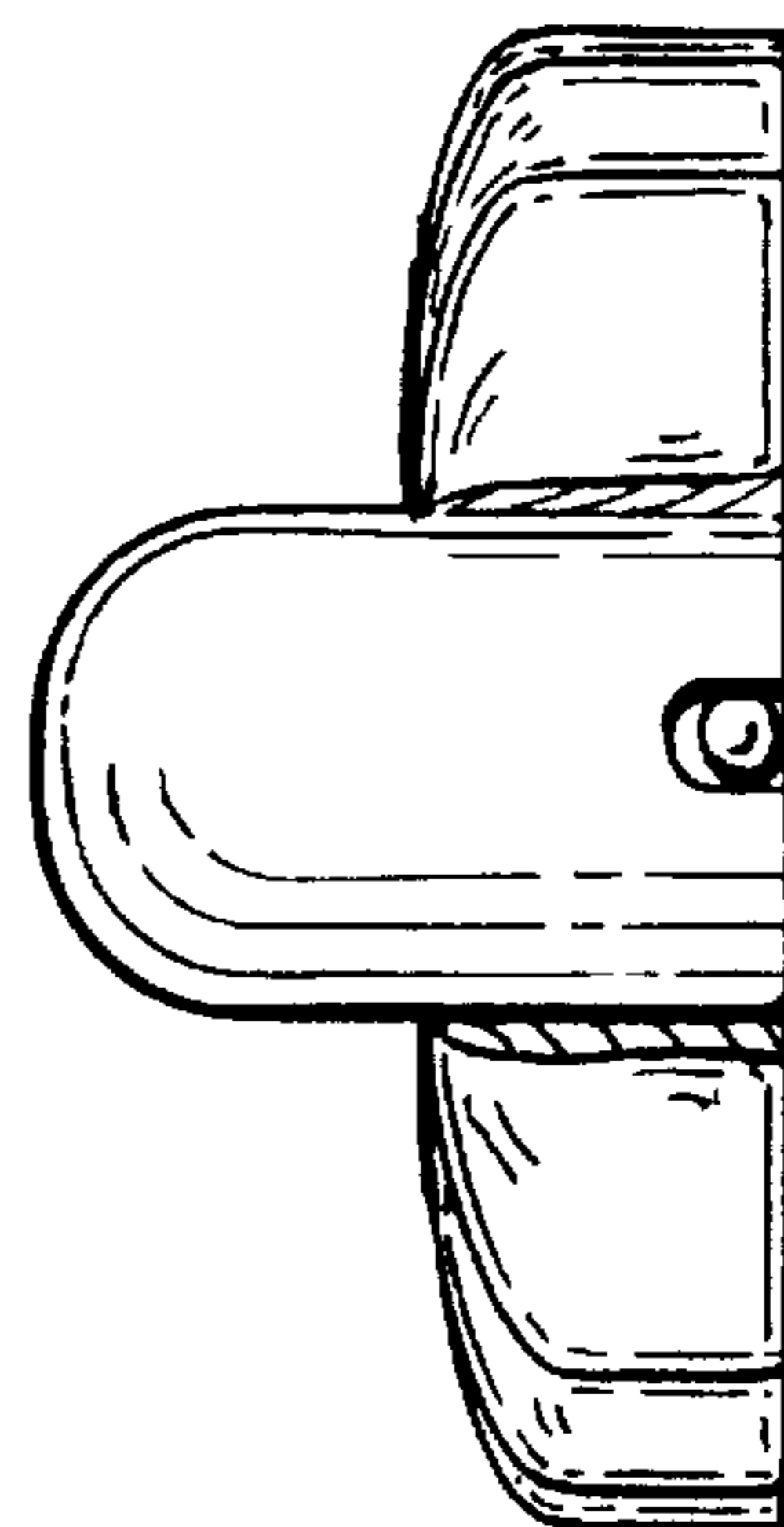
**FIG. 7**



**FIG. 8**



**FIG. 9**



**FIG. 10**



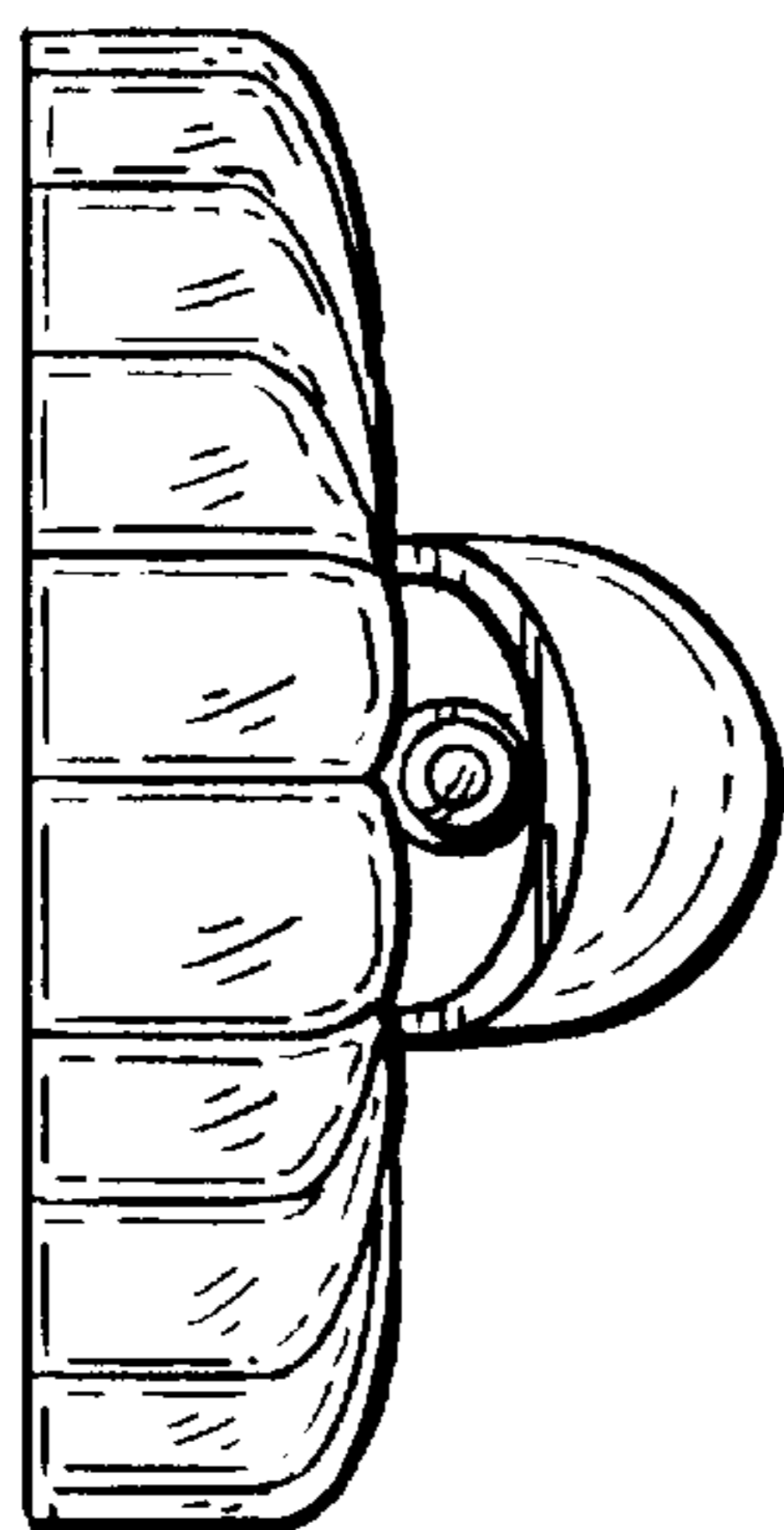


FIG. 11

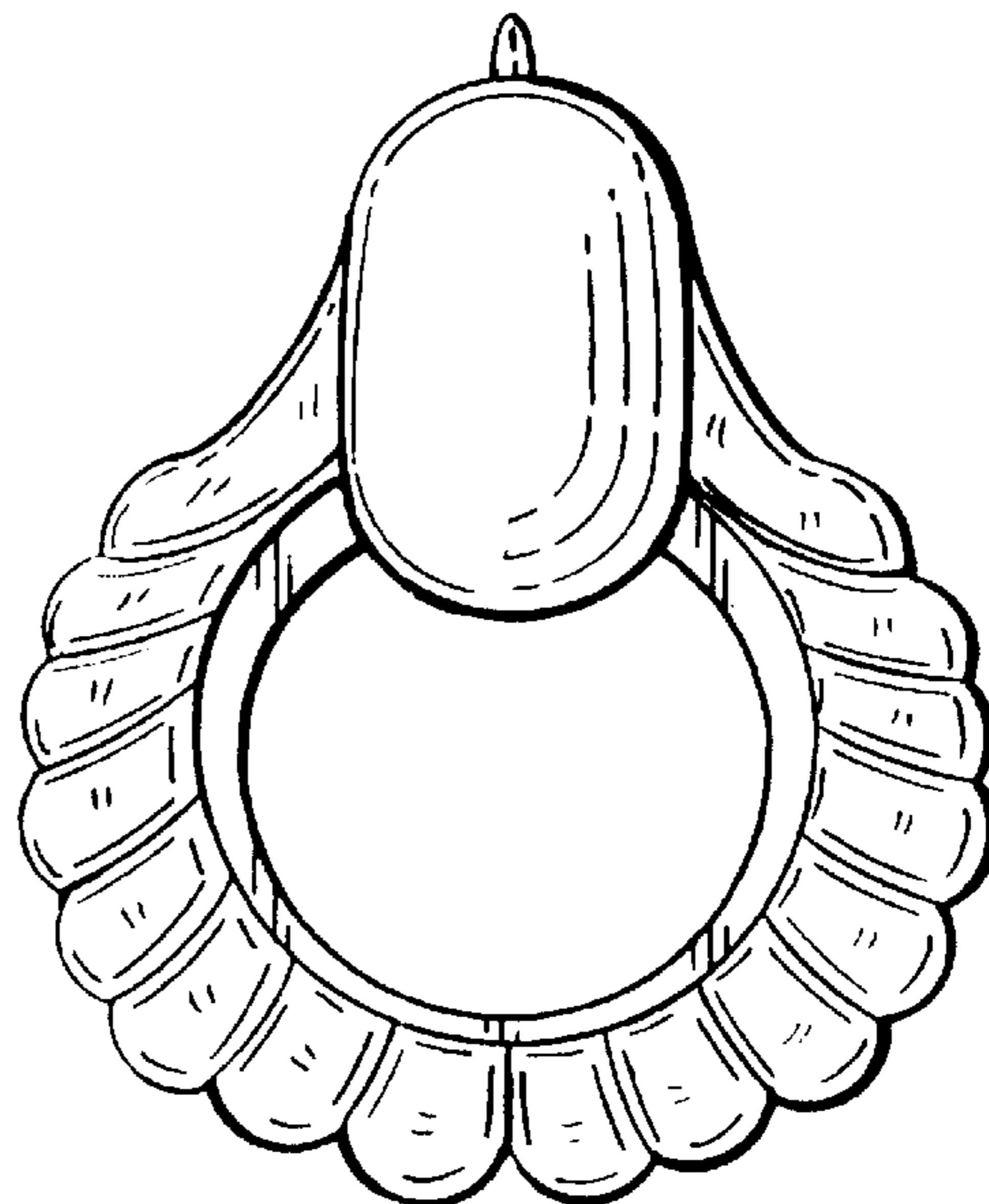


FIG. 12

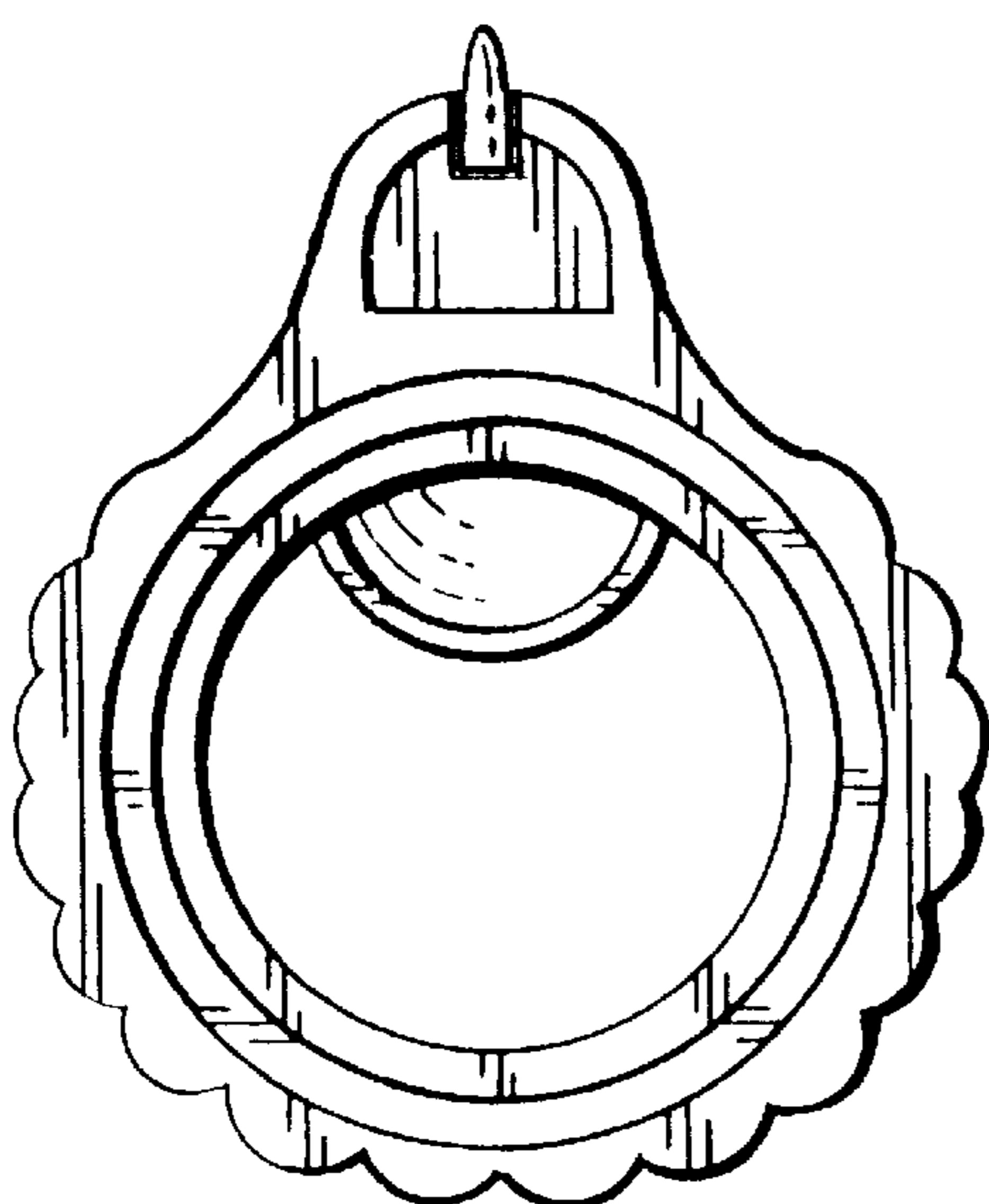


FIG. 13

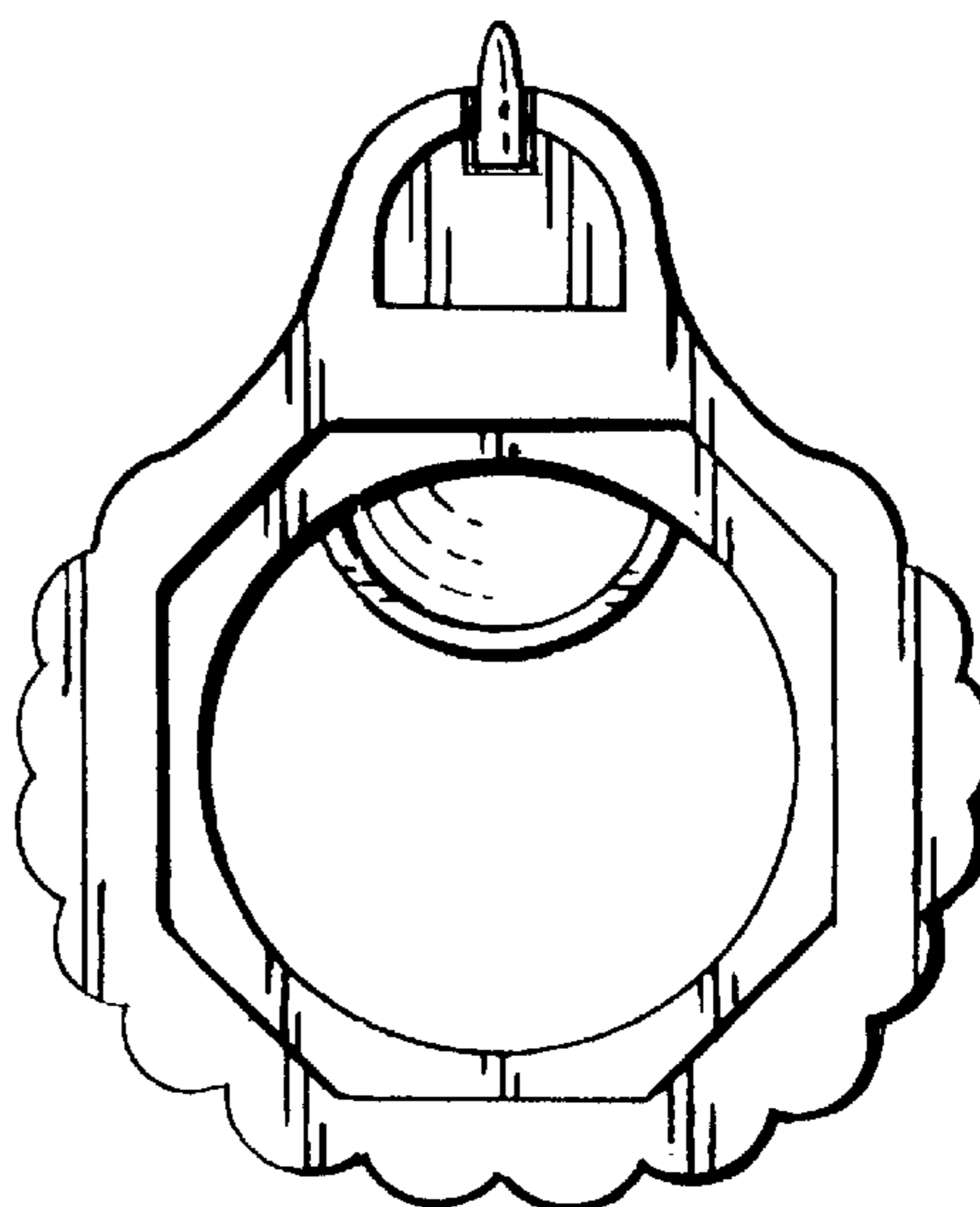


FIG. 14