



US00D426331S

# United States Patent [19] Ham

[11] **Patent Number: Des. 426,331**  
[45] **Date of Patent: \*\* Jun. 6, 2000**

[54] **LANTERN**

[76] Inventor: **Byung I. Ham**, 16550 E. Blackburn Dr., La Mirada, Calif. 90638

[\*\*] Term: **14 Years**

[21] Appl. No.: **29/115,550**

[22] Filed: **Dec. 15, 1999**

[51] **LOC (7) Cl. .... 26-02**

[52] **U.S. Cl. .... D26/38**

[58] **Field of Search .... D26/37-50; D3/274, D3/276, 282, 905; 362/157, 158, 183-208**

[56] **References Cited**

**U.S. PATENT DOCUMENTS**

D. 384,202	9/1997	Gilmore .....	D26/38
D. 412,371	7/1999	Yuen .....	D26/38
D. 414,284	9/1999	Zelina, Jr. et al. ....	D26/38
D. 414,285	9/1999	Chen .....	D26/38

*Primary Examiner*—Marcus A. Jackson  
*Attorney, Agent, or Firm*—Blakely Sokoloff Taylor & Zafman LLP

[57] **CLAIM**

The ornamental design for a lantern, as shown and described.

**DESCRIPTION**

FIG. 1 is a top plan view of a lantern of one embodiment of the invention;

FIG. 2 is a left side plan view of the lantern of FIG. 1;

FIG. 3 is a rear plan view of the lantern of the FIG. 1;

FIG. 4 is a right side plan view of the lantern of FIG. 1;

FIG. 5 is a front plan view of the lantern of FIG. 1;

FIG. 6 is a bottom plan view of the lantern of FIG. 1; and,

FIG. 7 is a right plan view of the lantern of FIG. 1 with compartment open.

The broken lines in the figures are for environmental purposes only and form no part of the claimed design.

**1 Claim, 4 Drawing Sheets**

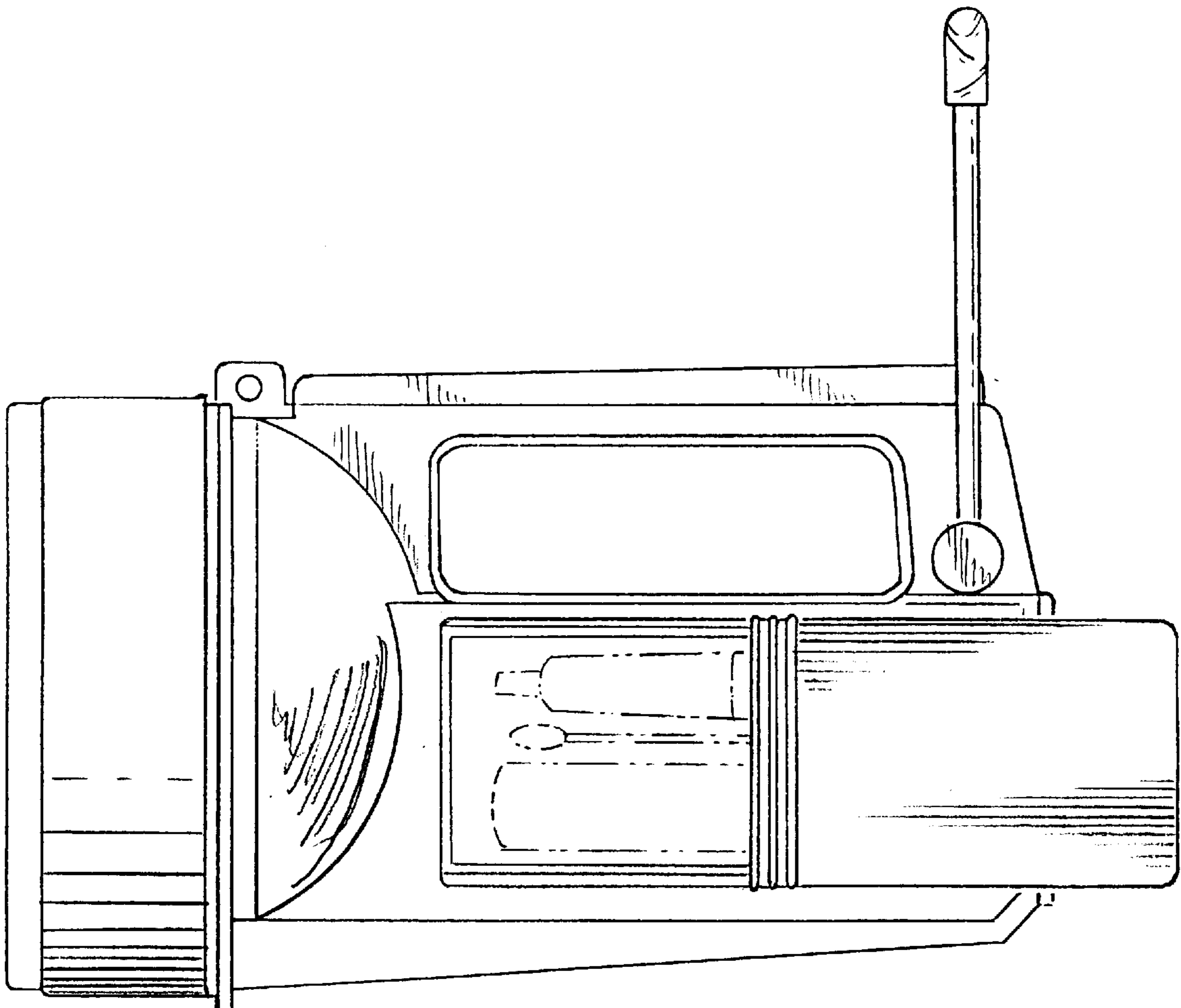


FIG 1

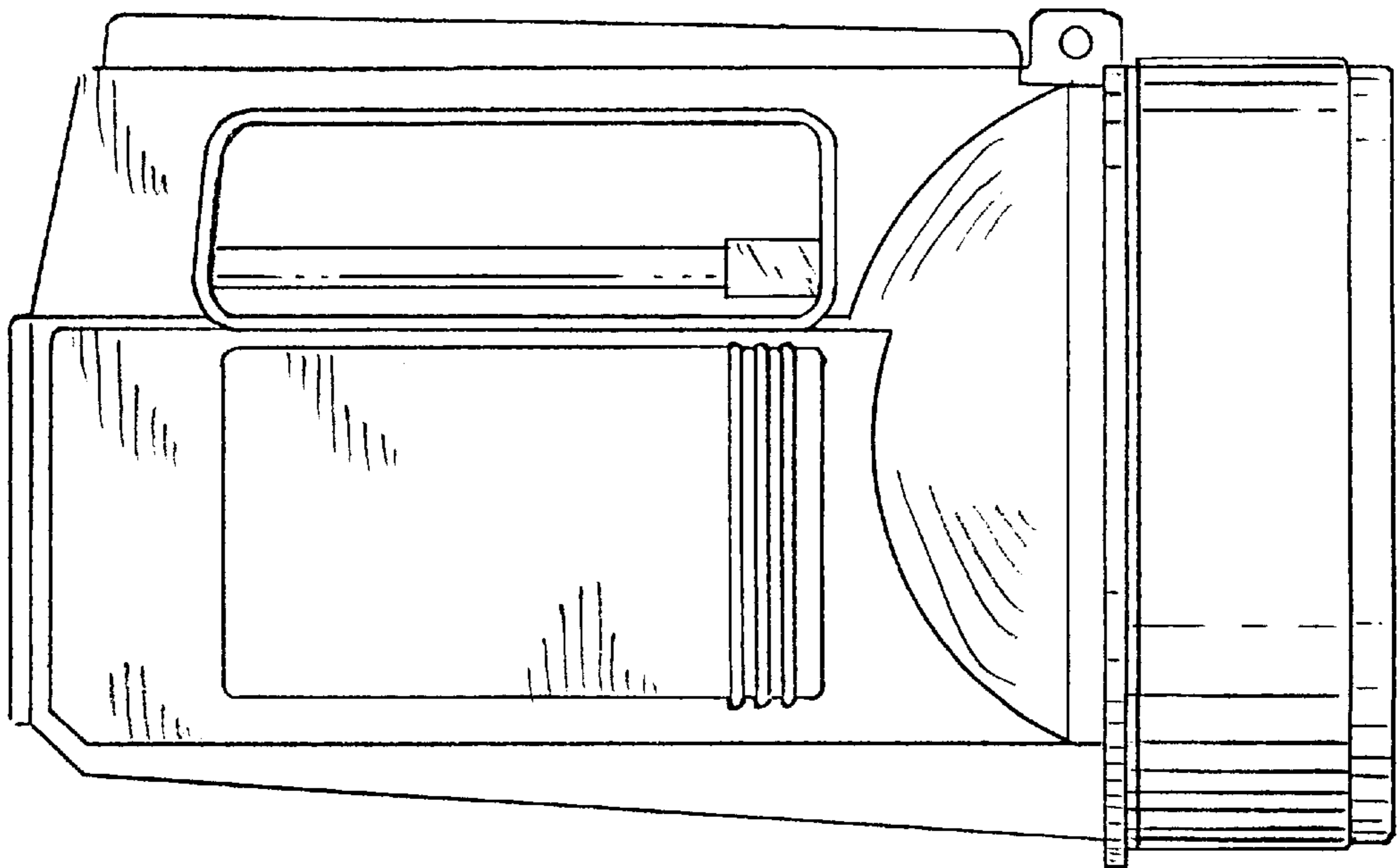
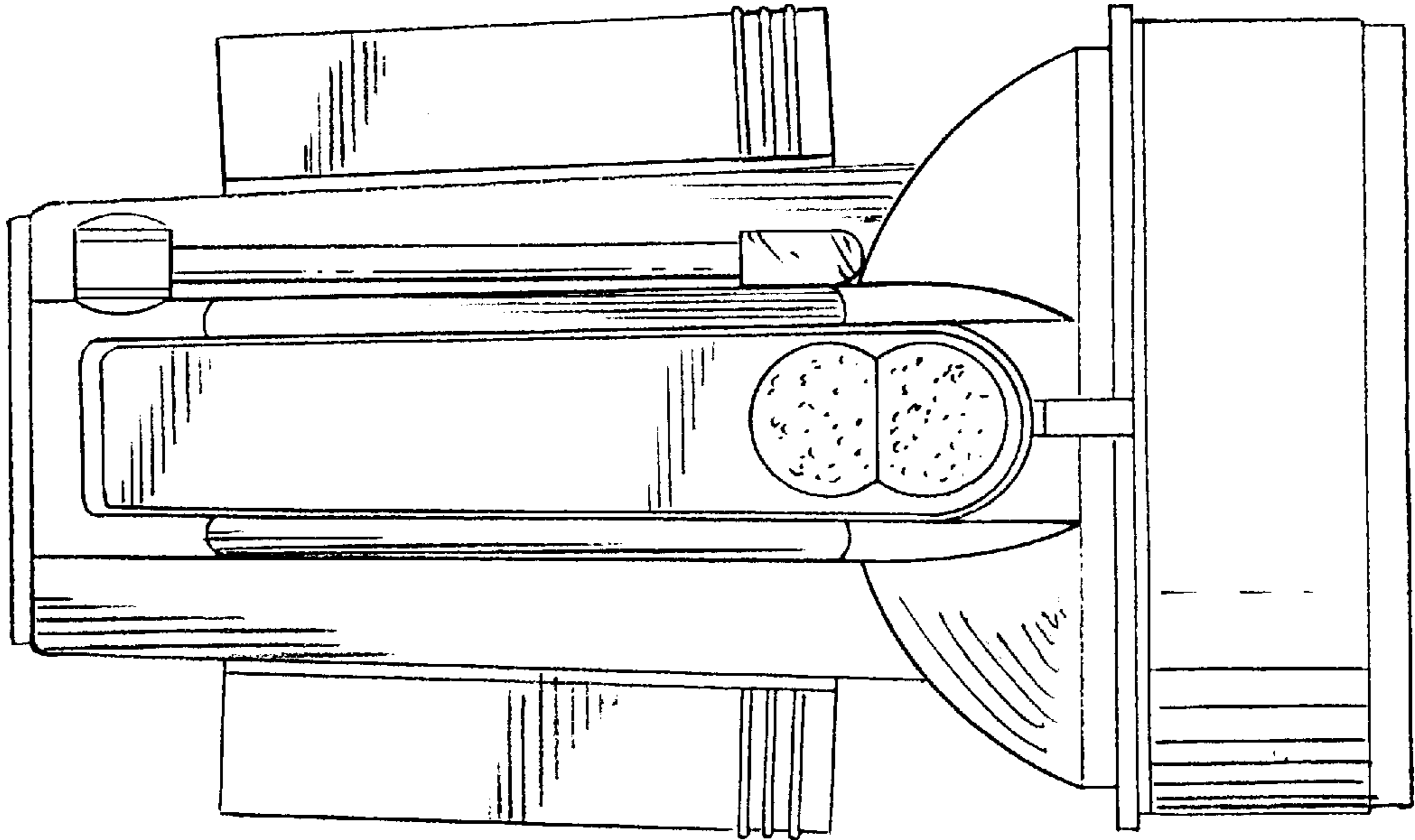


FIG 2

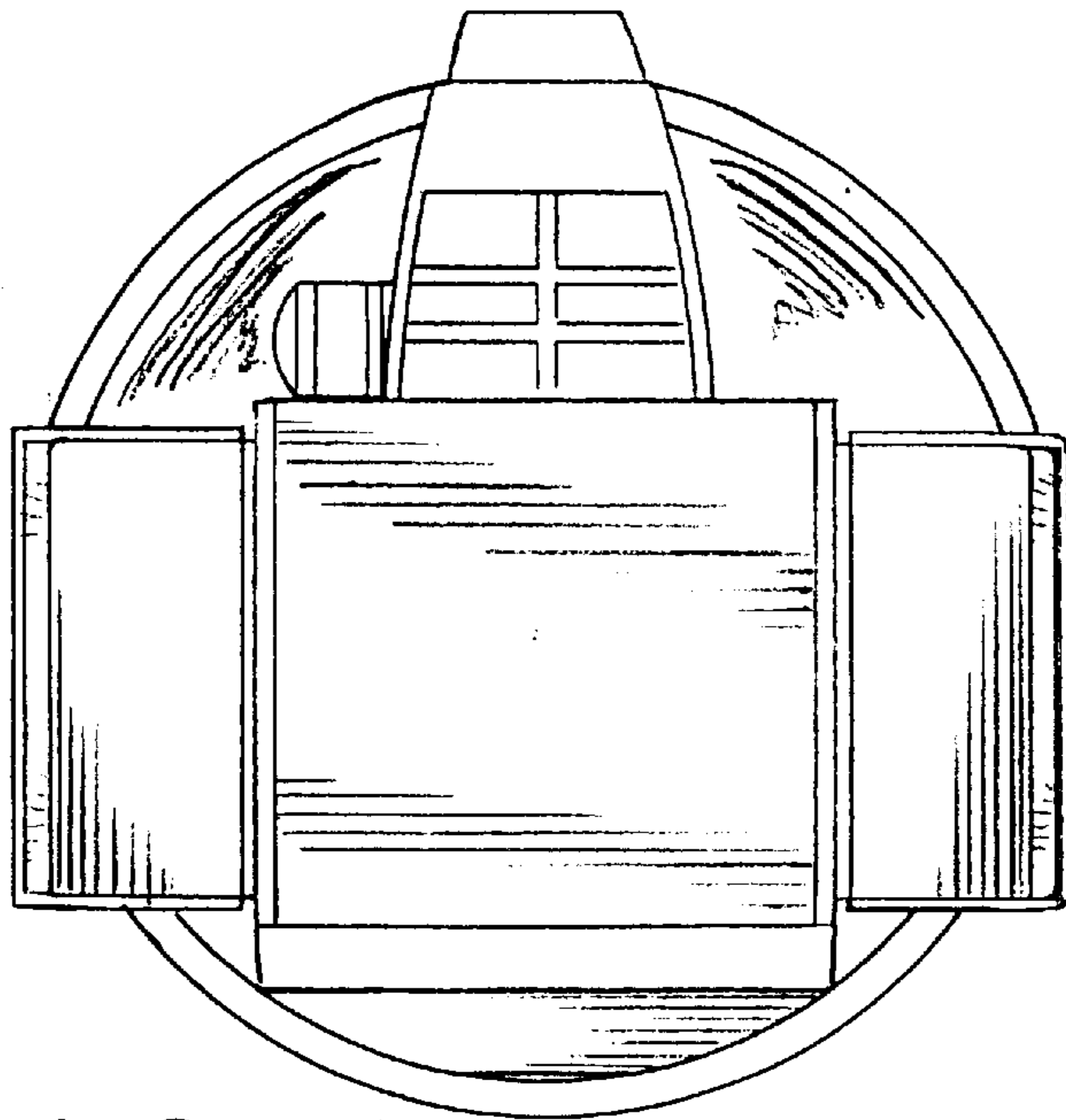


FIG 3

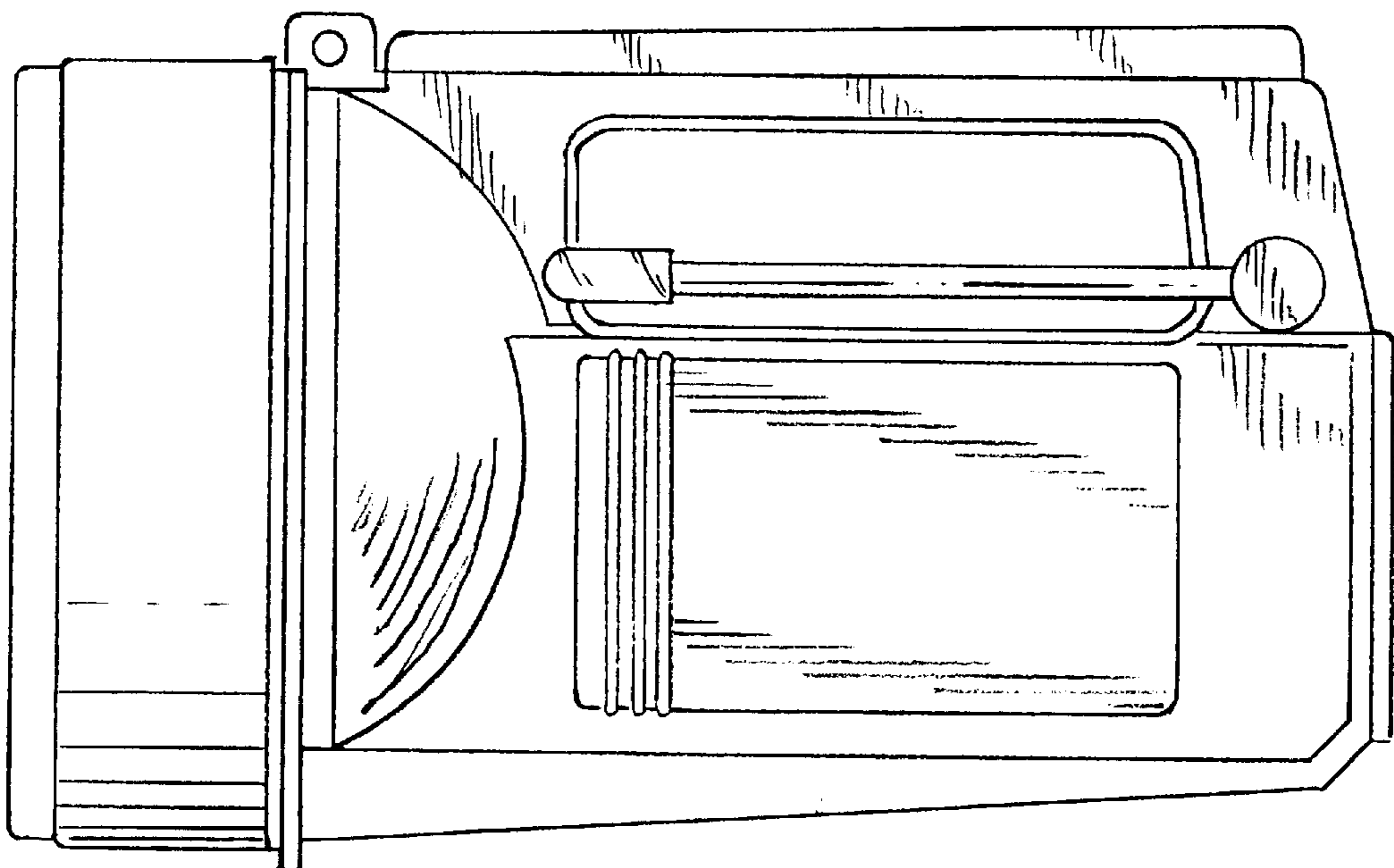


FIG. 4

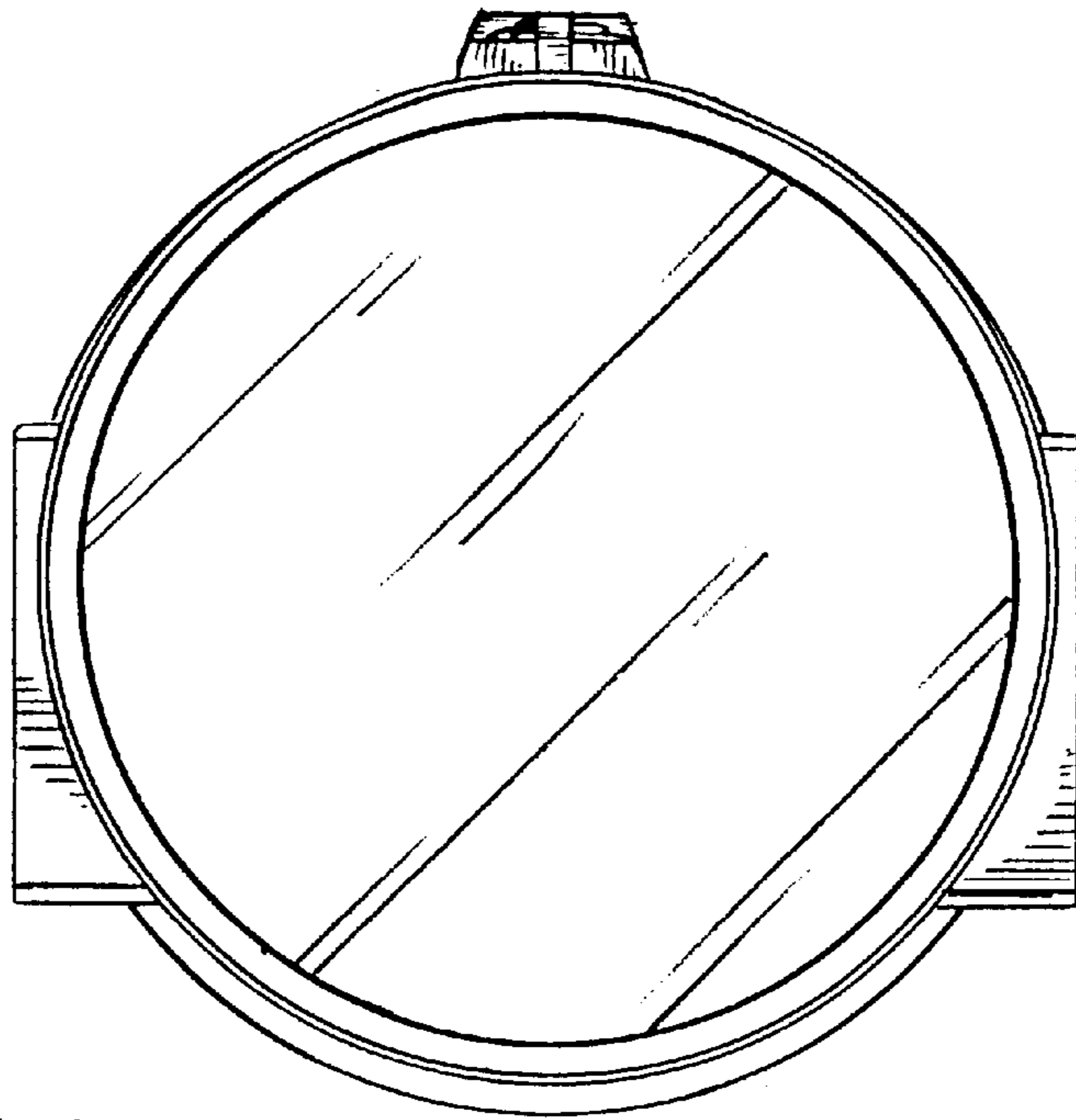


FIG. 5

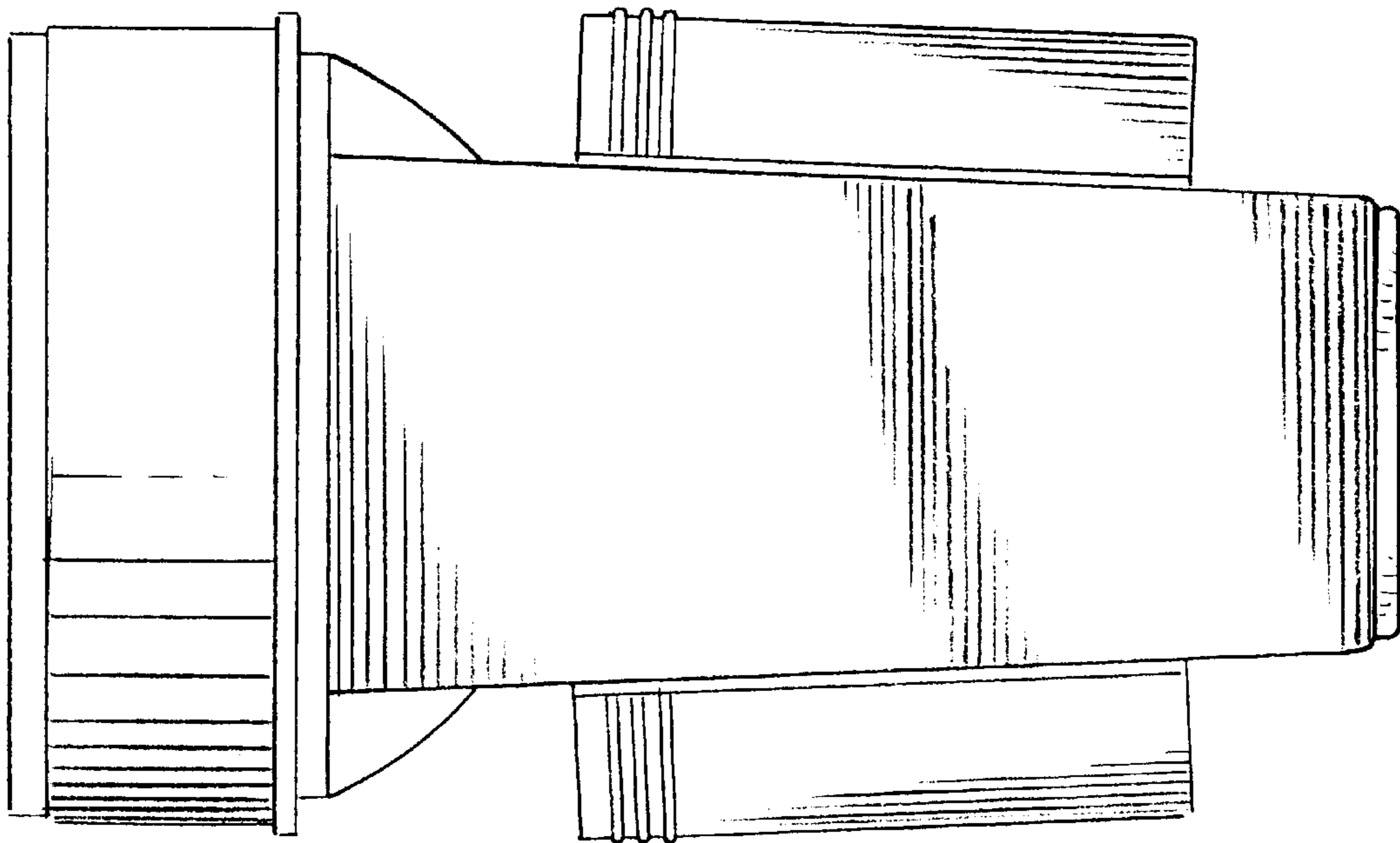


FIG. 6

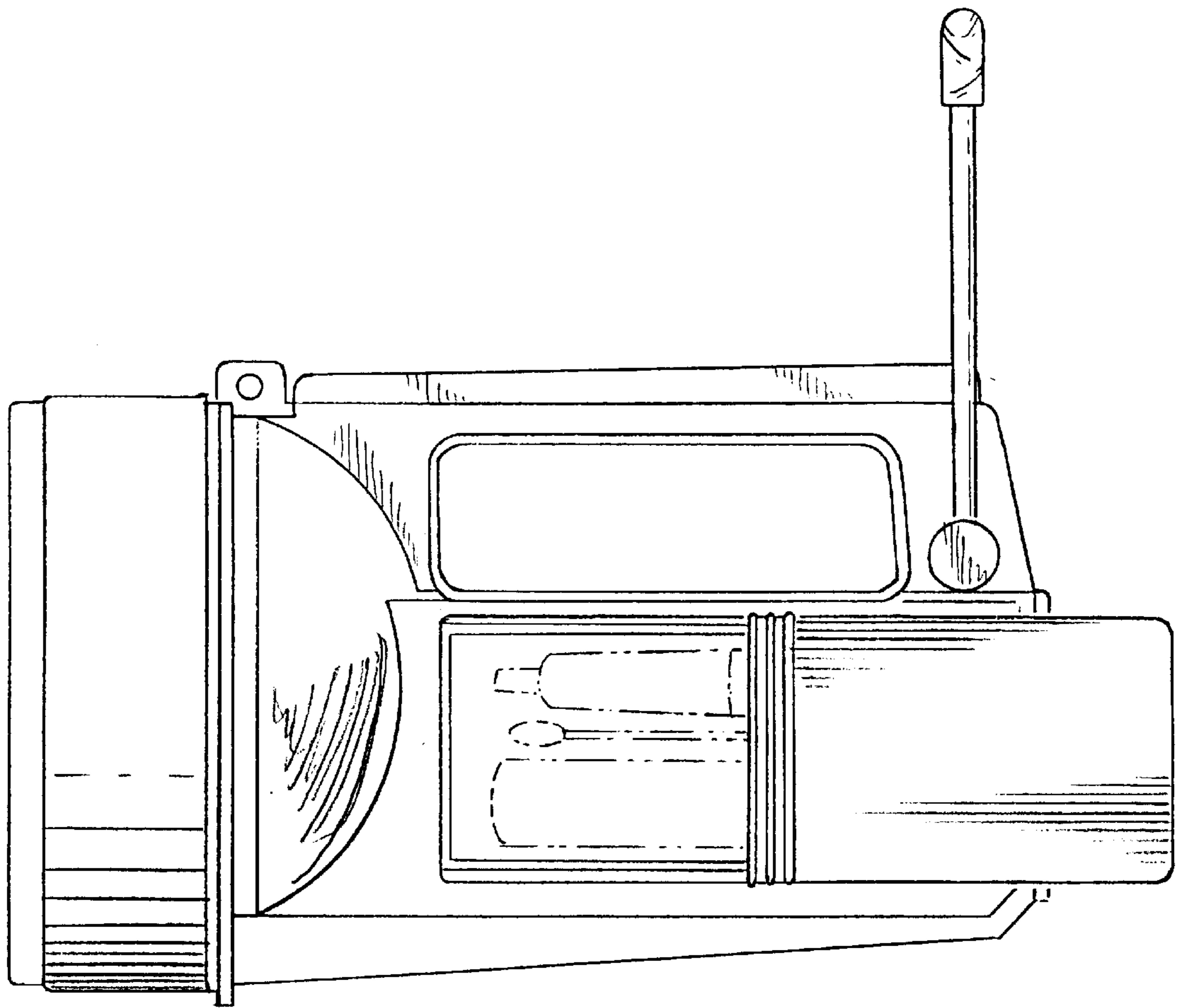


FIG. 7