



US00D426329S

United States Patent [19]

Wang Cheng

[11] Patent Number: **Des. 426,329**

[45] Date of Patent: **** Jun. 6, 2000**

[54] **AUTOMOBILE CEILING LIGHT**

[76] Inventor: **Jung-Chen Wang Cheng**, 12th Fl., No. 168, Fu Hsing N. Rd., Taipei, Taiwan

[**] Term: **14 Years**

[21] Appl. No.: **29/110,643**

[22] Filed: **Sep. 10, 1999**

[51] **LOC (7) Cl.** **26-06**

[52] **U.S. Cl.** **D26/28**

[58] **Field of Search** D26/28-36; 362/61, 362/74, 80, 80.1, 83, 83.2, 147, 216, 217, 220, 222, 223, 224, 404, 432

D. 411,635 6/1999 Philipot et al. D26/28
 D. 419,250 1/2000 Yeh D26/28

Primary Examiner—Marcus Jackson
Attorney, Agent, or Firm—Bacon & Thomas

[57] CLAIM

The ornamental design for an automobile ceiling light, as shown.

DESCRIPTION

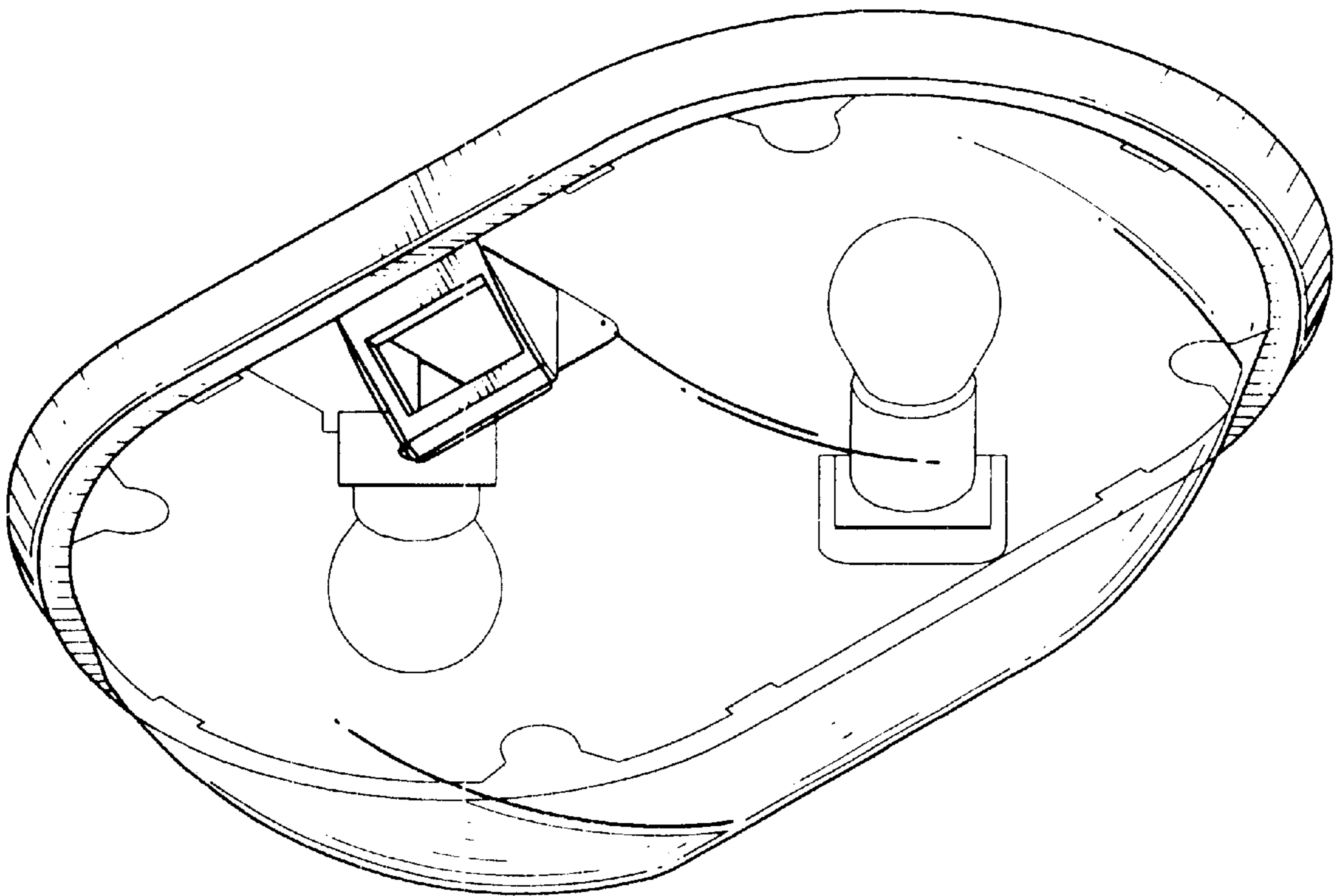
FIG. 1 is a front-right-bottom perspective view of an automobile ceiling light, showing my new design; FIG. 2 is a front elevational view thereof; FIG. 3 is a rear elevational view thereof; FIG. 4 is a left elevational view thereof; FIG. 5 is a right elevational view thereof; FIG. 6 is top plan view thereof; and, FIG. 7 is a bottom plan view thereof.

[56] **References Cited**

U.S. PATENT DOCUMENTS

D. 363,999 11/1995 Taylor et al. D26/28
 D. 388,894 1/1998 Yeh D26/28

1 Claim, 3 Drawing Sheets



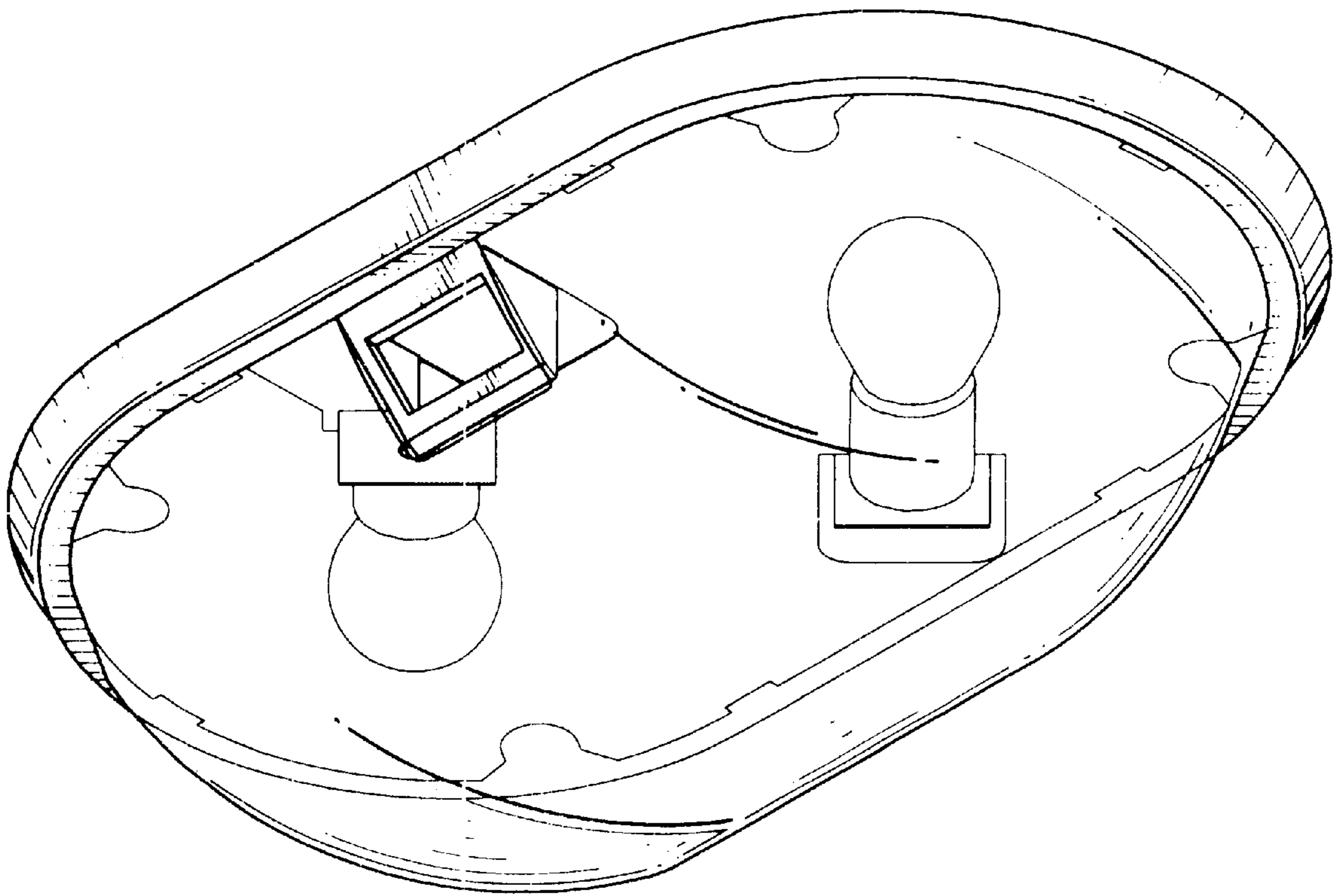


FIG. 1

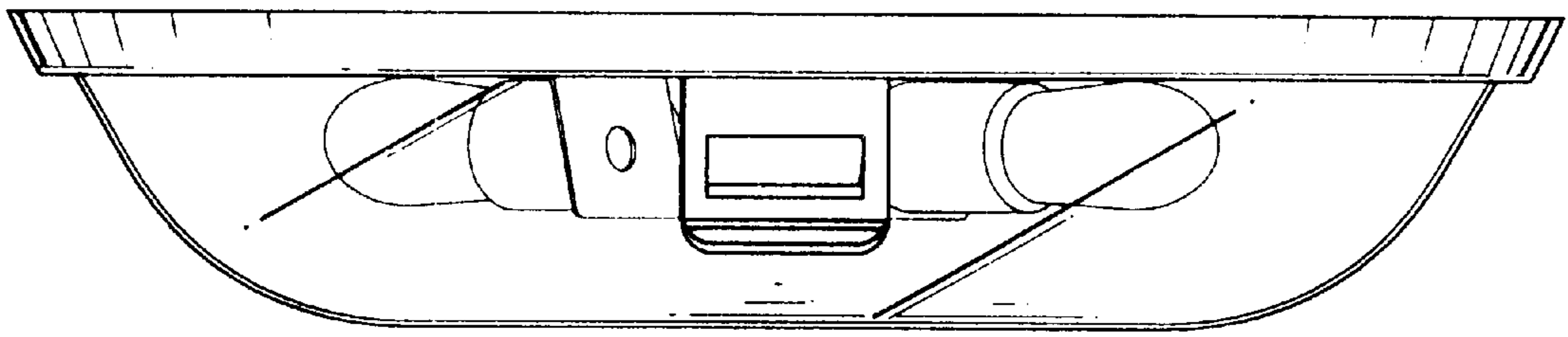


FIG. 2

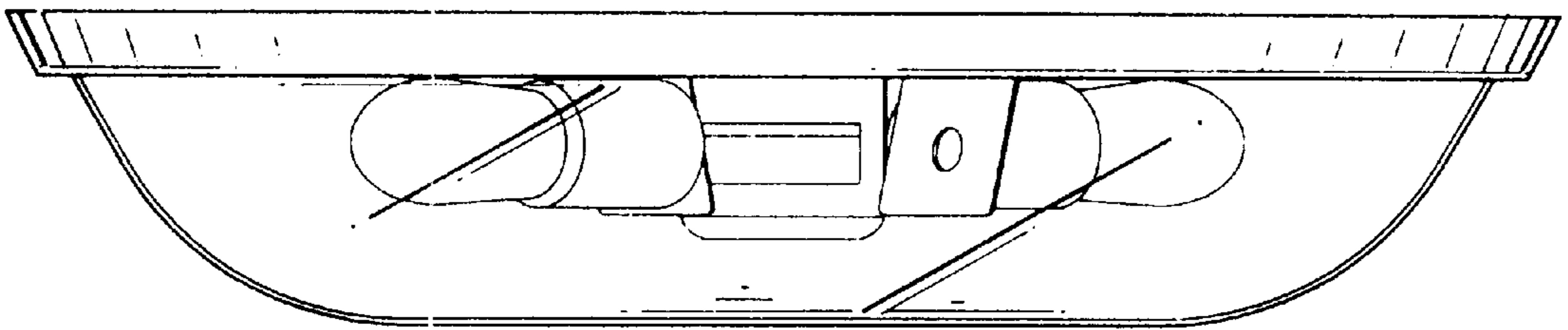


FIG. 3

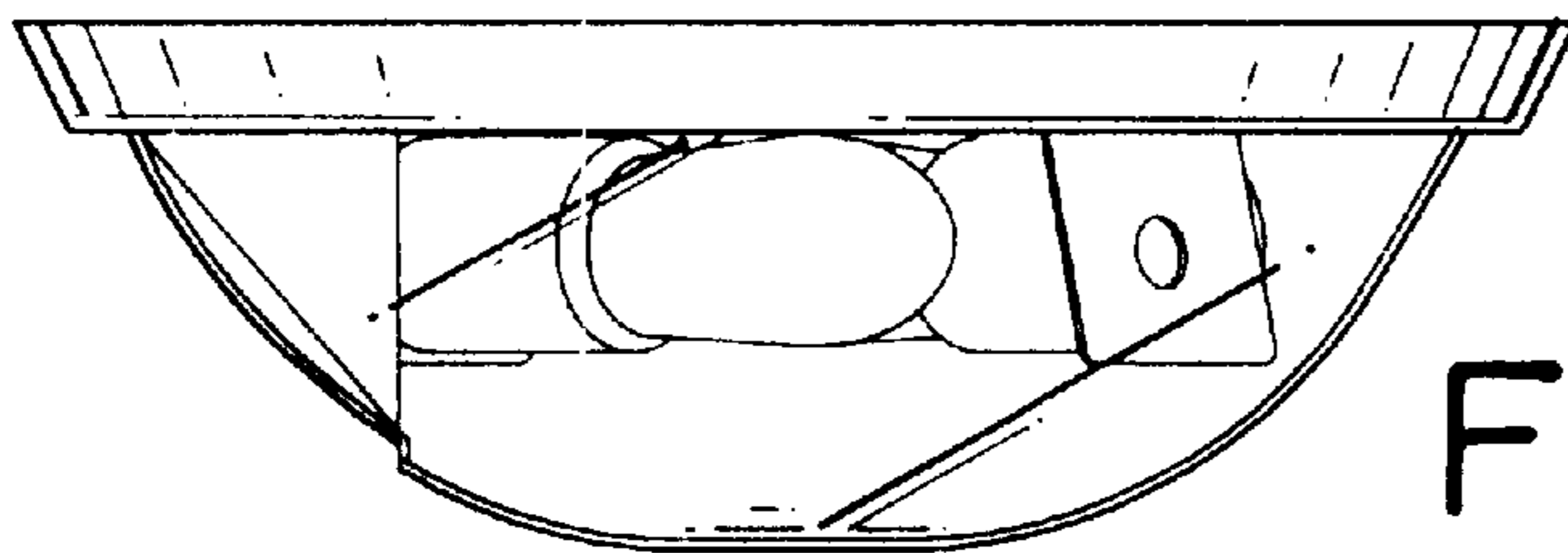


FIG. 5

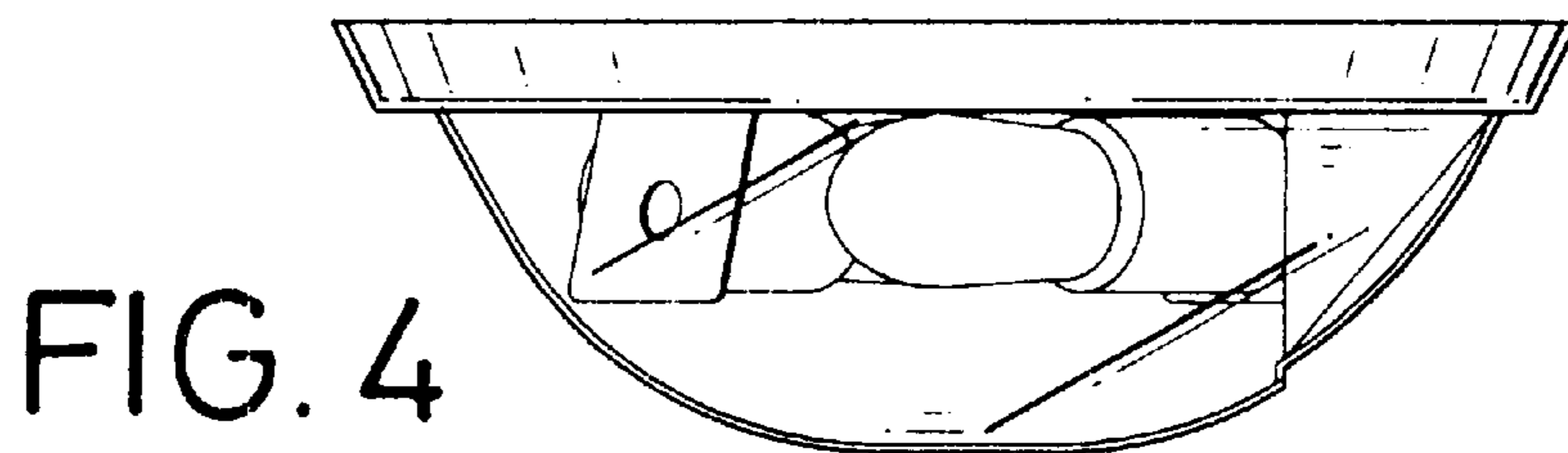


FIG. 4

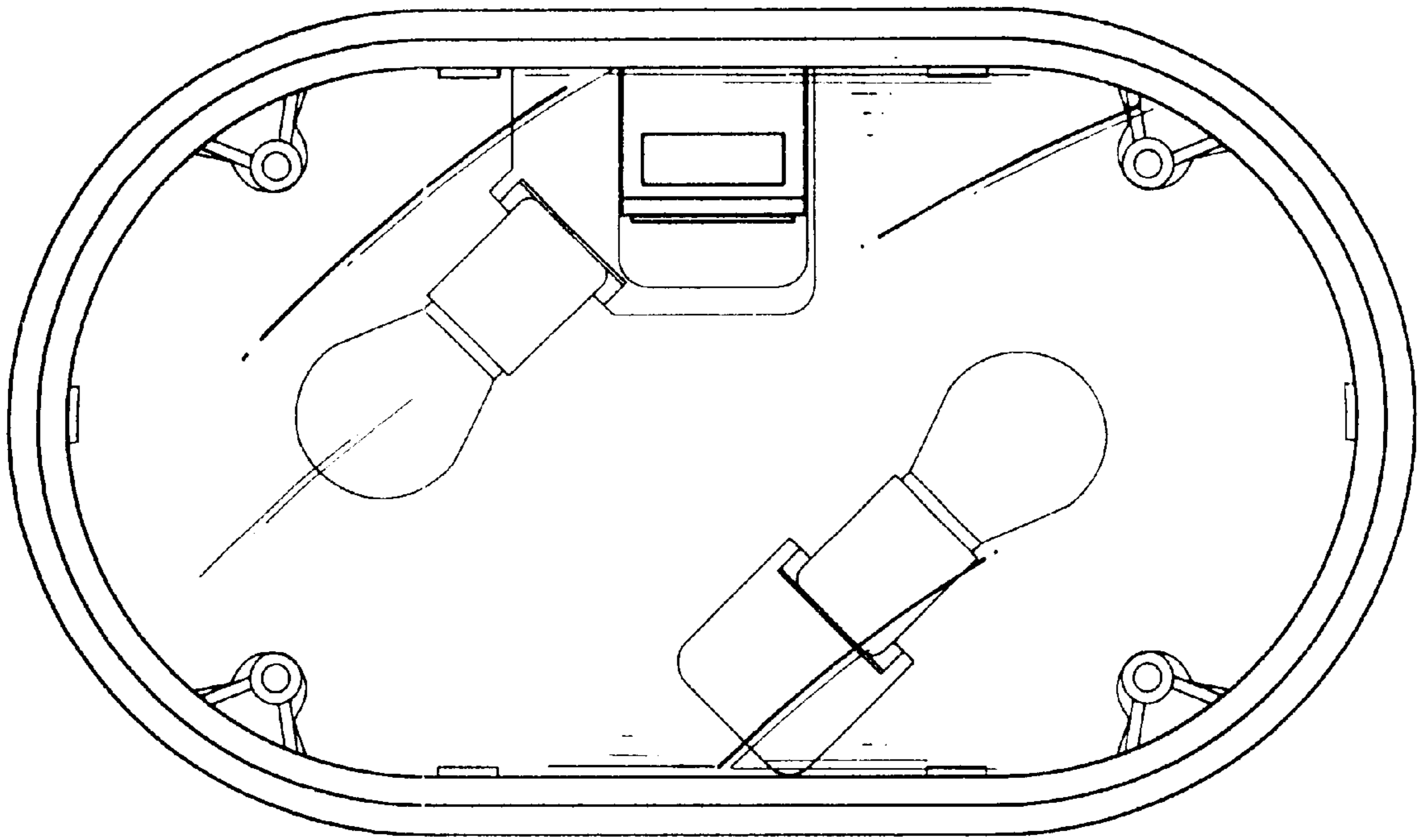


FIG. 7

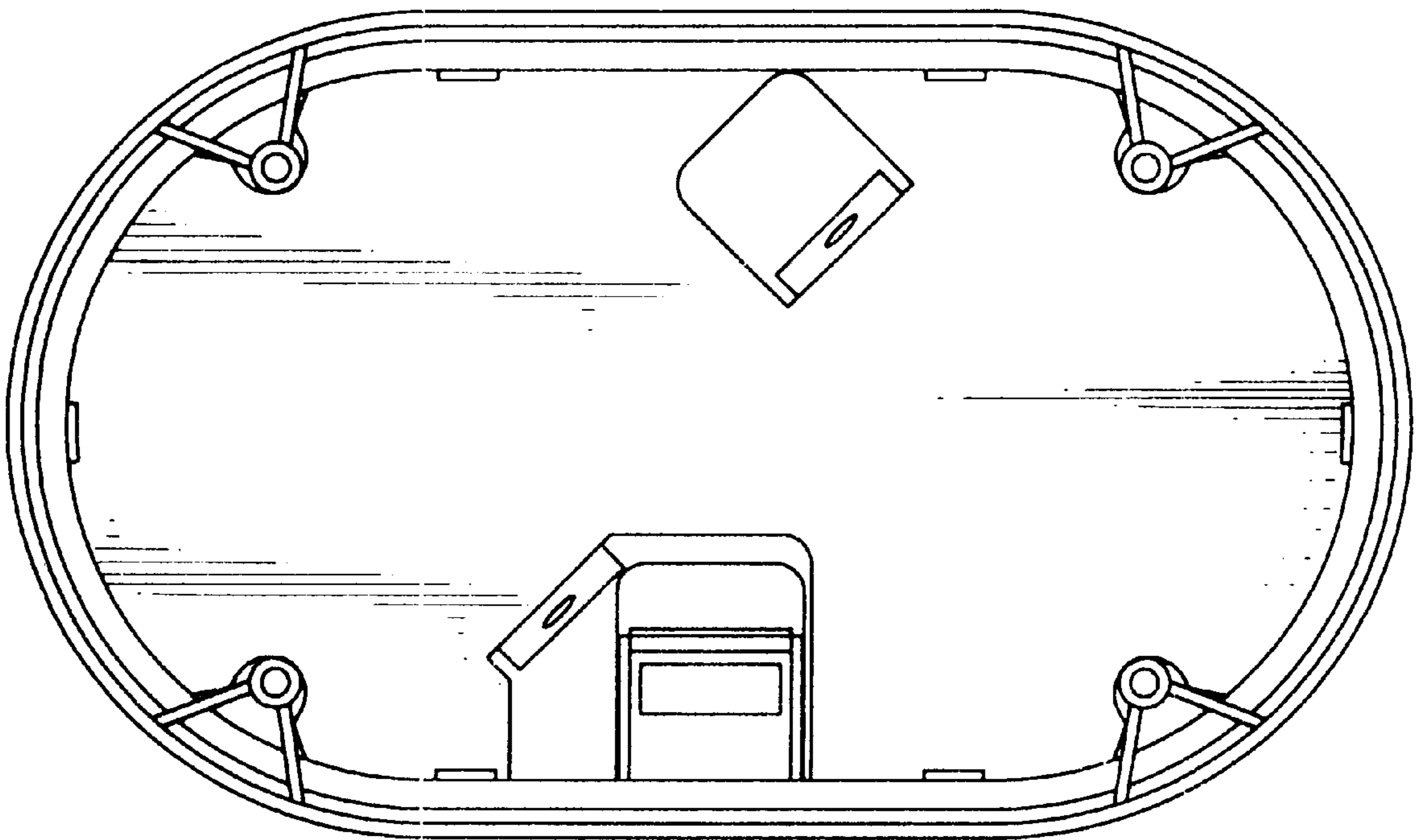


FIG. 6