



US00D426328S

United States Patent [19]
Yuen

[11] **Patent Number: Des. 426,328**
[45] **Date of Patent: ** Jun. 6, 2000**

[54] **SENSOR NIGHT LIGHT**

D. 291,125 7/1987 Fenne D26/26
D. 397,813 9/1998 Pun D26/26

[75] Inventor: **John Se-Kit Yuen**, Kowloon, The Hong Kong Special Administrative Region of the People's Republic of China

OTHER PUBLICATIONS

Hong Kong Enterprise, Jan. 1996, p. 418.
Taiwan Lighting, Nov. 1997, p. 302.

[73] Assignee: **John Manufacturing Limited**, Kowloon, The Hong Kong Special Administrative Region of the People's Republic of China

Primary Examiner—Susan J. Lucas
Attorney, Agent, or Firm—Beall Law Offices

[**] Term: **14 Years**

[57] **CLAIM**

The ornamental design for a sensor night light, as shown and described.

[21] Appl. No.: **29/106,410**

DESCRIPTION

[22] Filed: **Jun. 15, 1999**

[51] **LOC (7) Cl.** **26-05**

[52] **U.S. Cl.** **D26/26**

[58] **Field of Search** D26/26, 85, 118;
362/226, 147

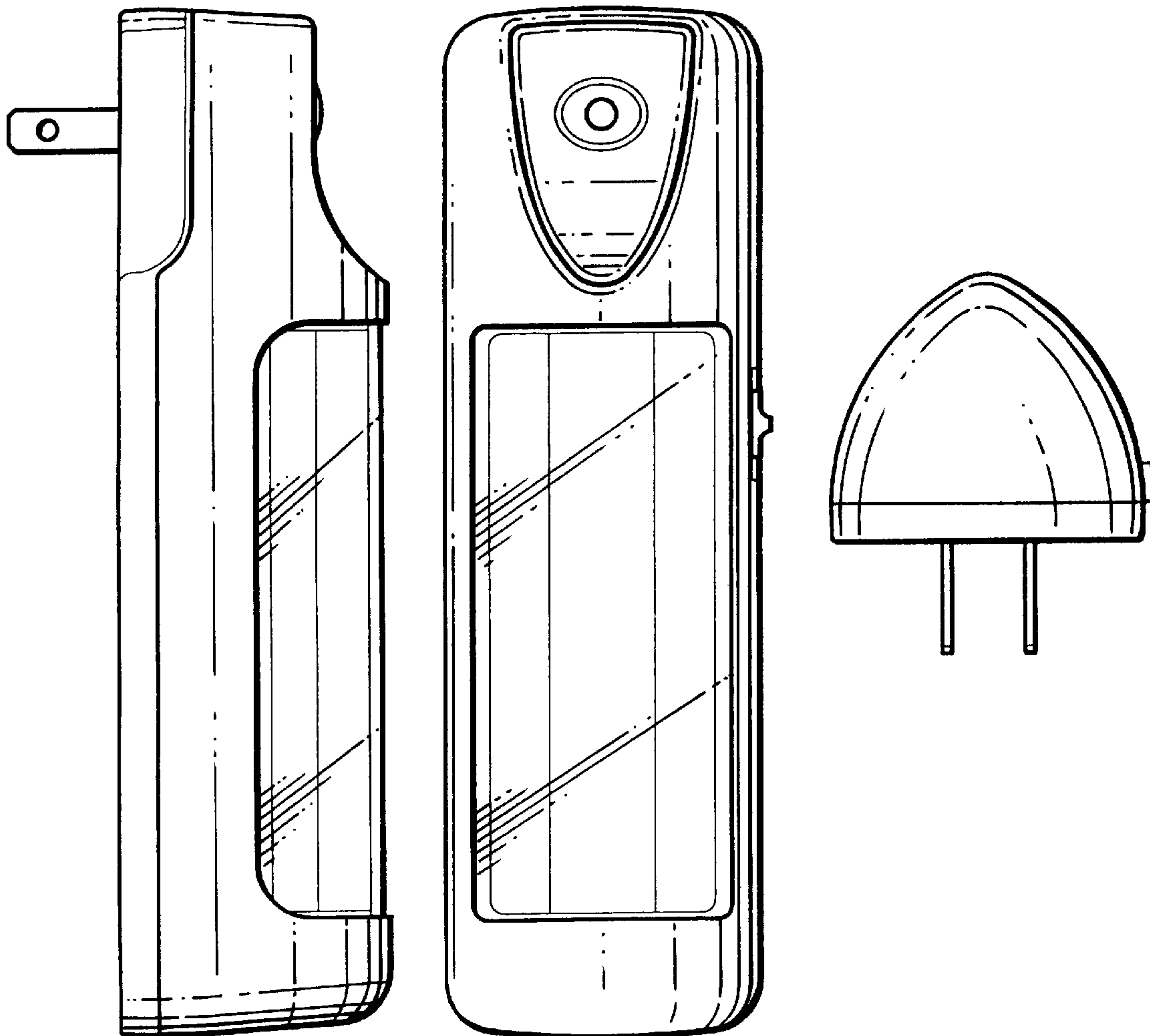
FIG. 1 is a left side elevational view of a sensor night light showing my new design;
FIG. 2 is a front elevational view thereof;
FIG. 3 is a right side elevational view thereof;
FIG. 4 is a rear elevational view thereof;
FIG. 5 is a bottom plan view thereof; and,
FIG. 6 is a top plan view thereof.

[56] **References Cited**

U.S. PATENT DOCUMENTS

D. 288,967 3/1987 Naft D26/26

1 Claim, 2 Drawing Sheets



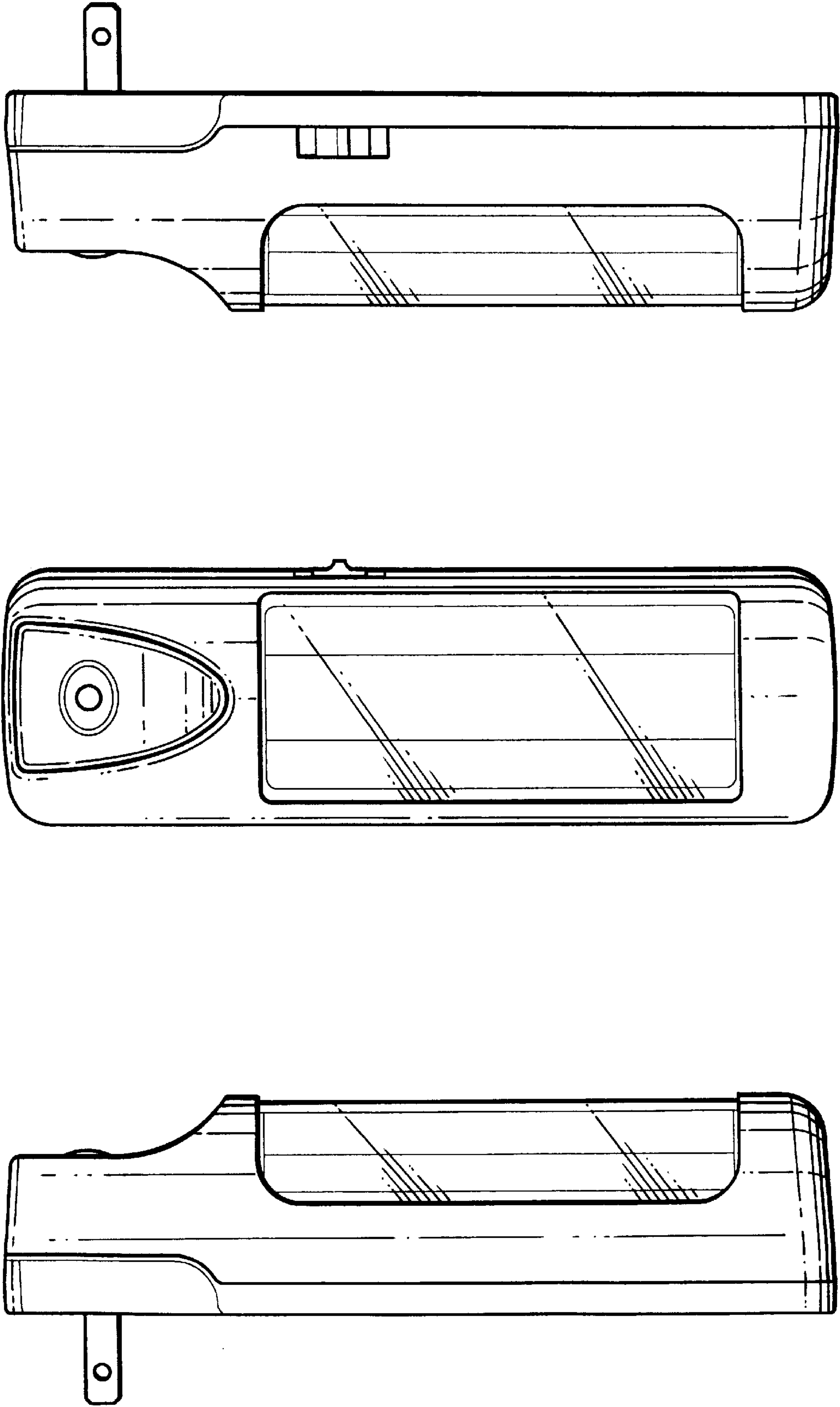


FIG. 1

FIG. 2

FIG. 3

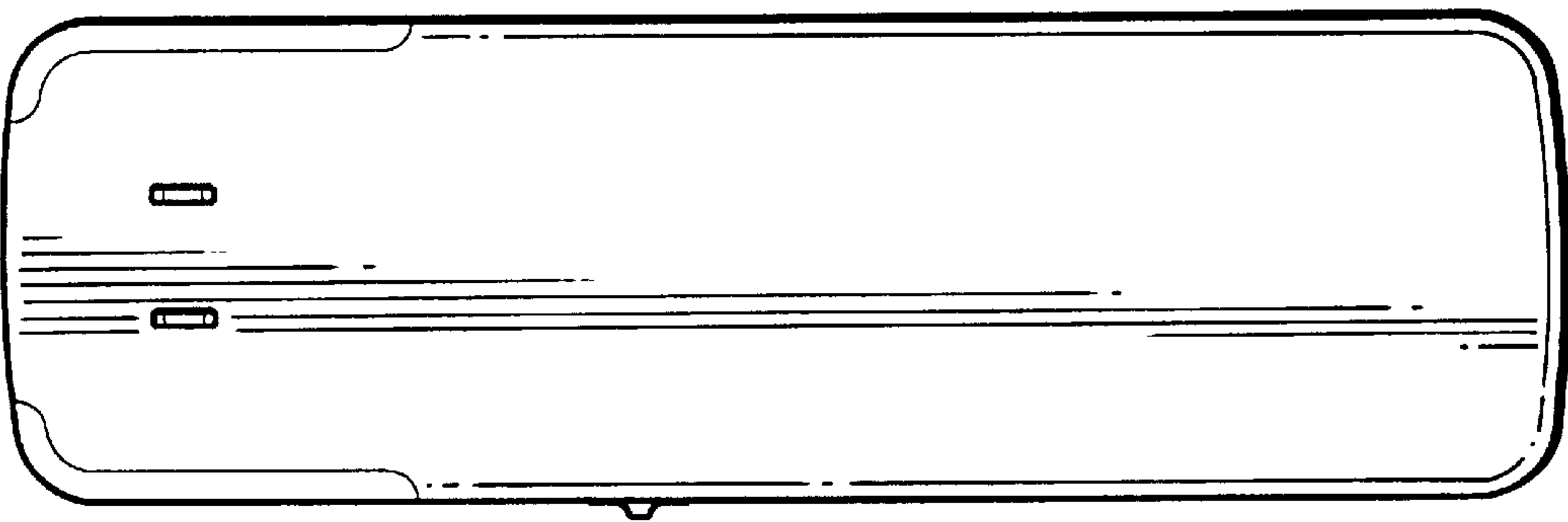


FIG. 4

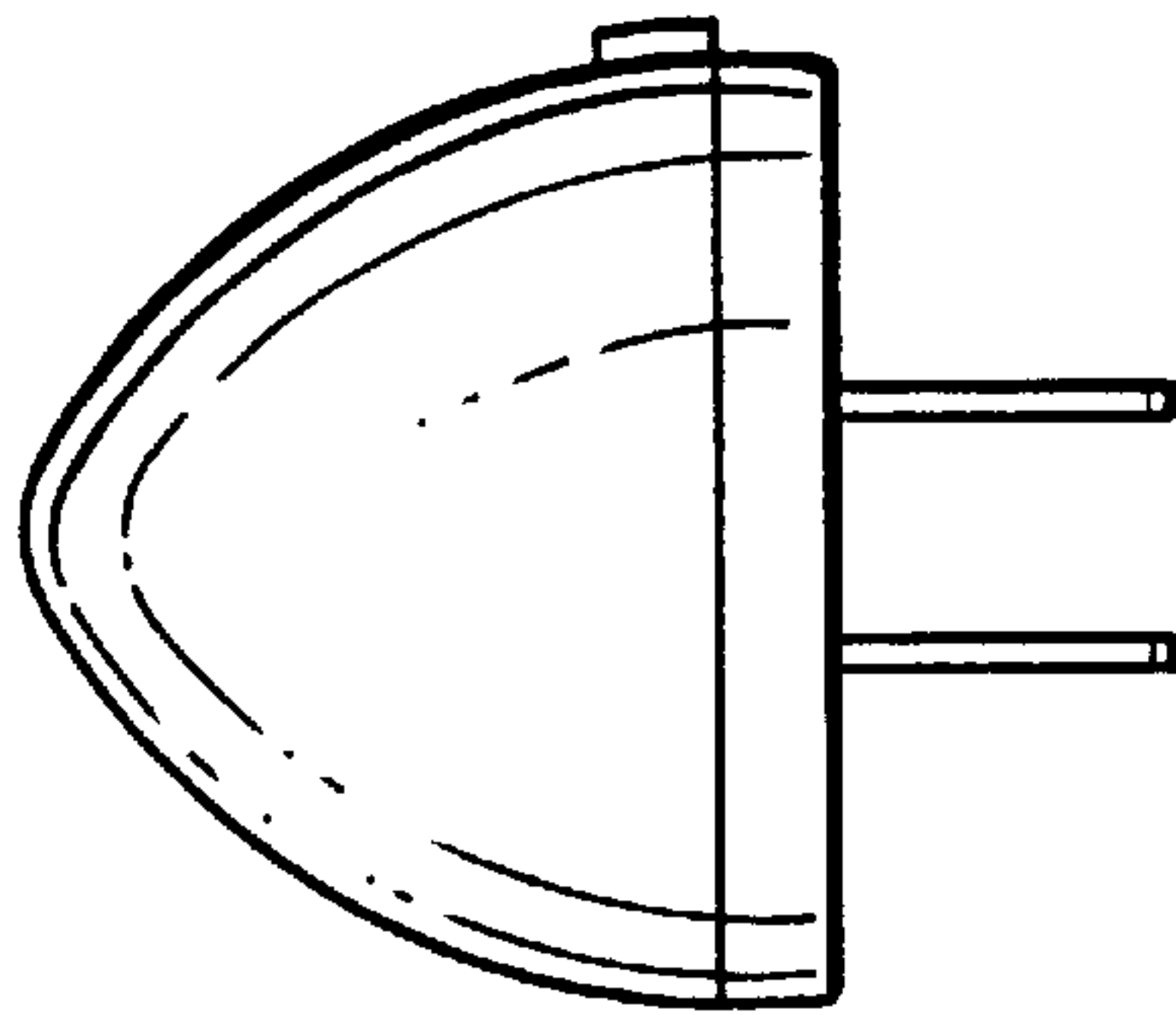


FIG. 5

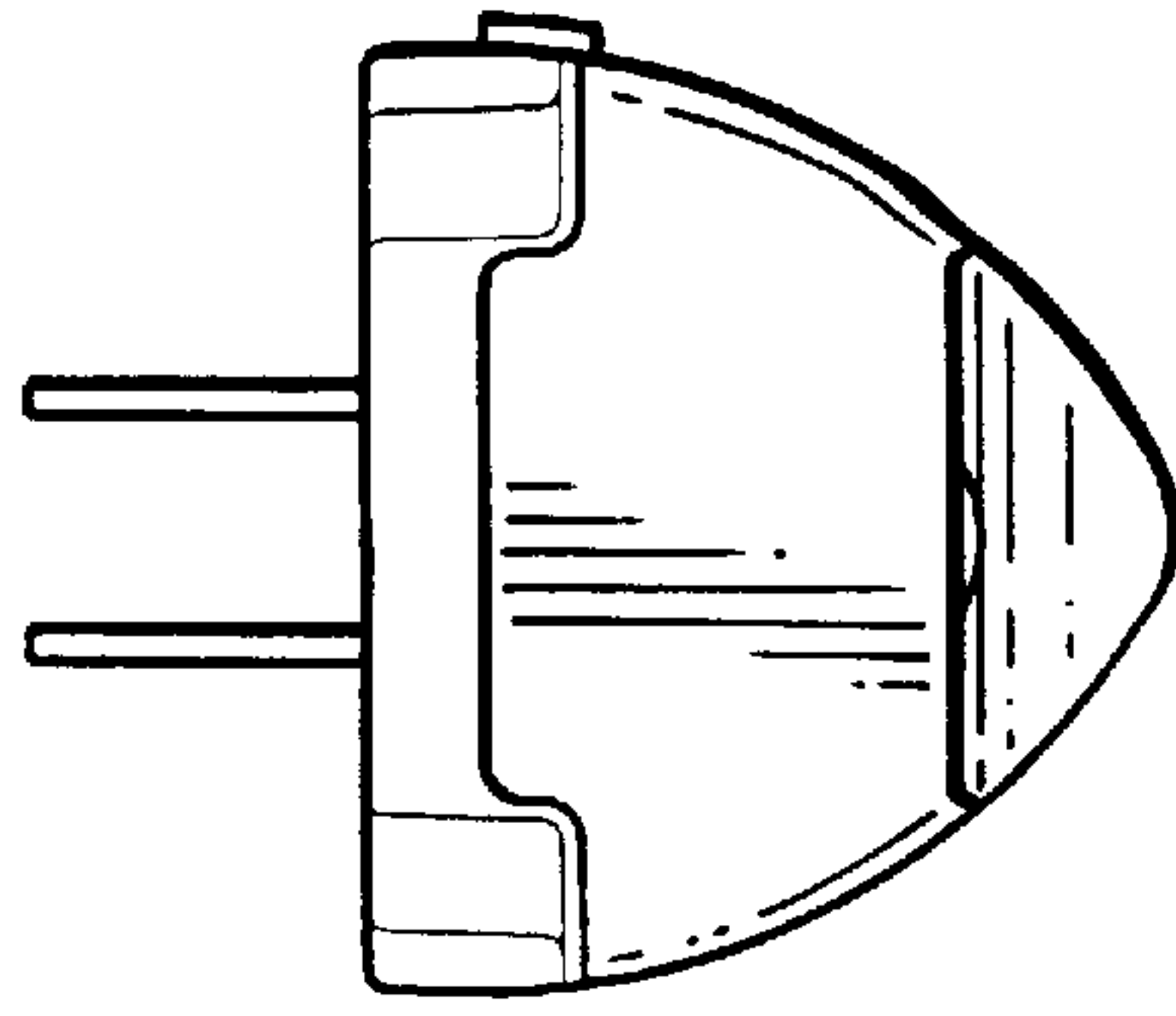


FIG. 6