



US00D426327S

United States Patent [19]
Guzik

[11] **Patent Number: Des. 426,327**
[45] **Date of Patent: ** Jun. 6, 2000**

[54] **WINDOW LIGHT HOUSING**

[76] Inventor: **Edward Guzik**, 7332 W. Lunt Ave.,
Chicago, Ill. 60631

[**] Term: **14 Years**

[21] Appl. No.: **29/091,442**

[22] Filed: **Jul. 30, 1998**

[51] **LOC (7) Cl.** **26-04**

[52] **U.S. Cl.** **D26/25**

[58] **Field of Search** D26/25; 248/65;
362/806, 249, 250, 252, 238; 40/714

[56] **References Cited**

U.S. PATENT DOCUMENTS

4,852,832	8/1989	Delaney	248/65
4,995,181	2/1991	Wolf	40/714
5,700,083	12/1997	Boechel	362/249

Primary Examiner—Freda Nunn

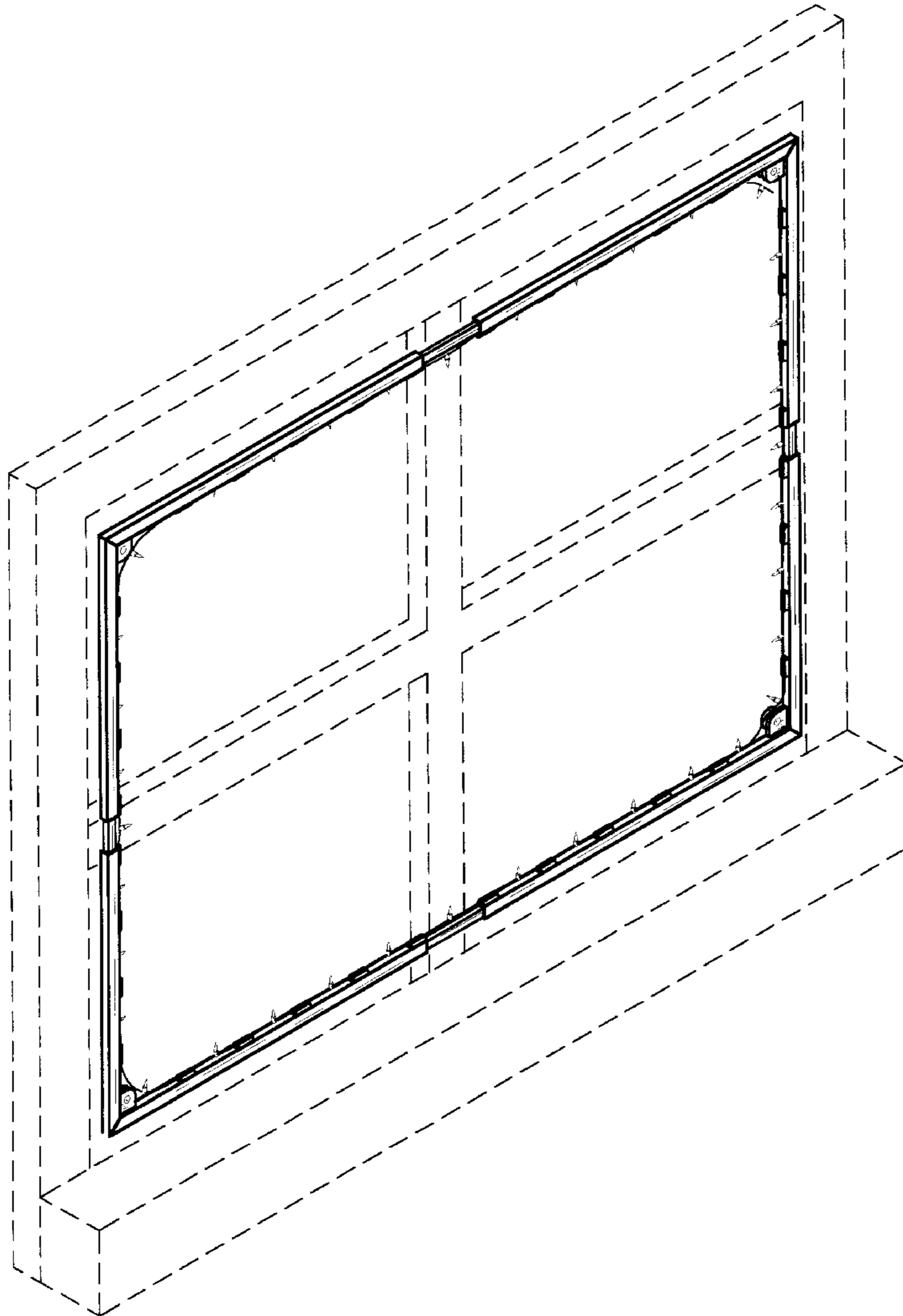
[57] **CLAIM**

The ornamental design for a window light housing, as shown and described.

DESCRIPTION

FIG. 1 is a front elevational view of the window light housing of the present invention;
 FIG. 2 is a back elevational view of the window light housing of FIG. 1;
 FIG. 3 is a left side elevational view of the window light housing of FIG. 1;
 FIG. 4 is a right side elevational view of the window light housing of FIG. 1;
 FIG. 5 is a top plan view of the window light housing of FIG. 1;
 FIG. 6 is a bottom plan view of the window light housing of FIG. 1; and,
 FIG. 7 is a top, back, left side perspective view of the window light housing of FIG. 1.
 The broken lines shown on FIG. 7 are for illustrative purposes only and form no part of the claimed invention.

1 Claim, 3 Drawing Sheets



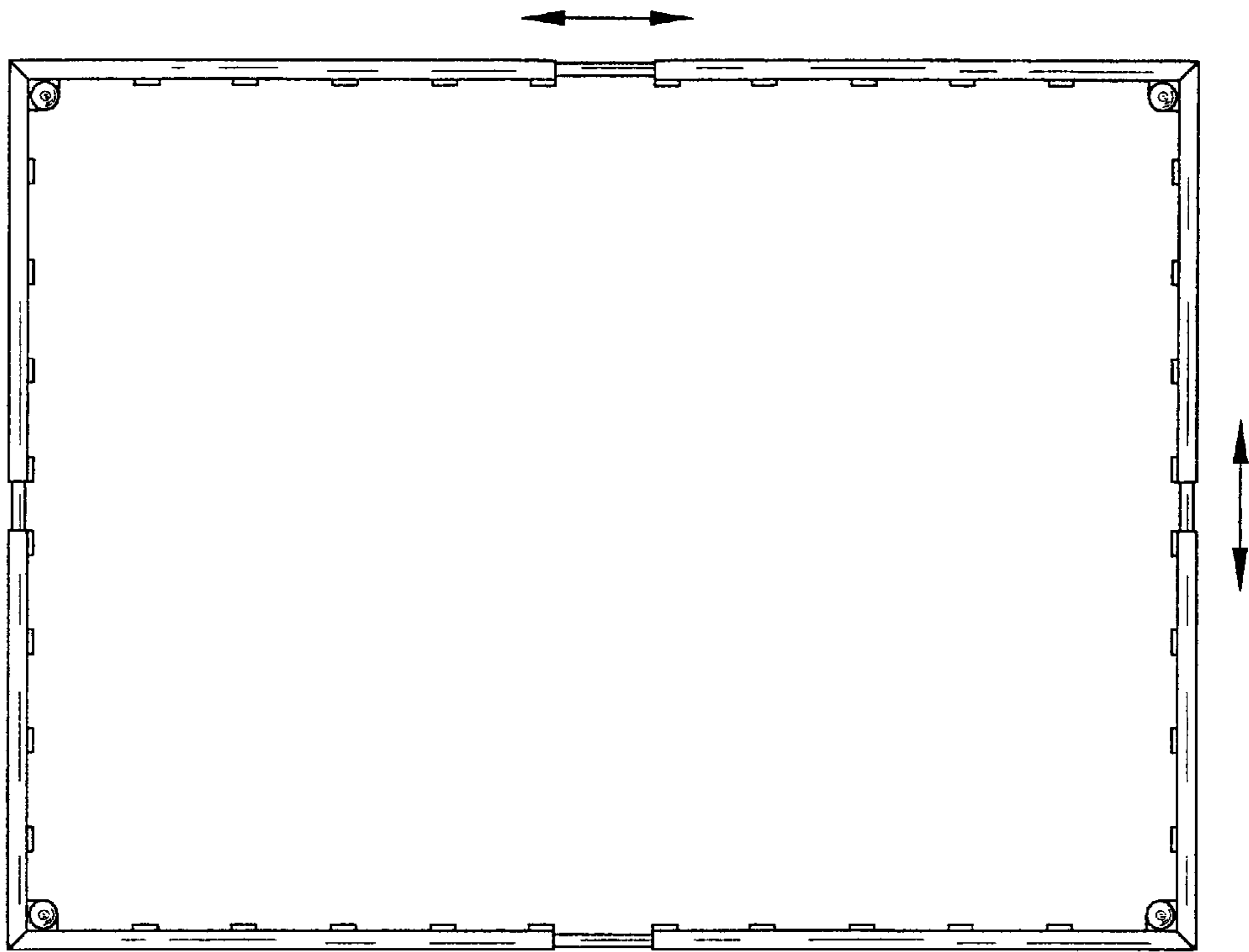


Fig. 1

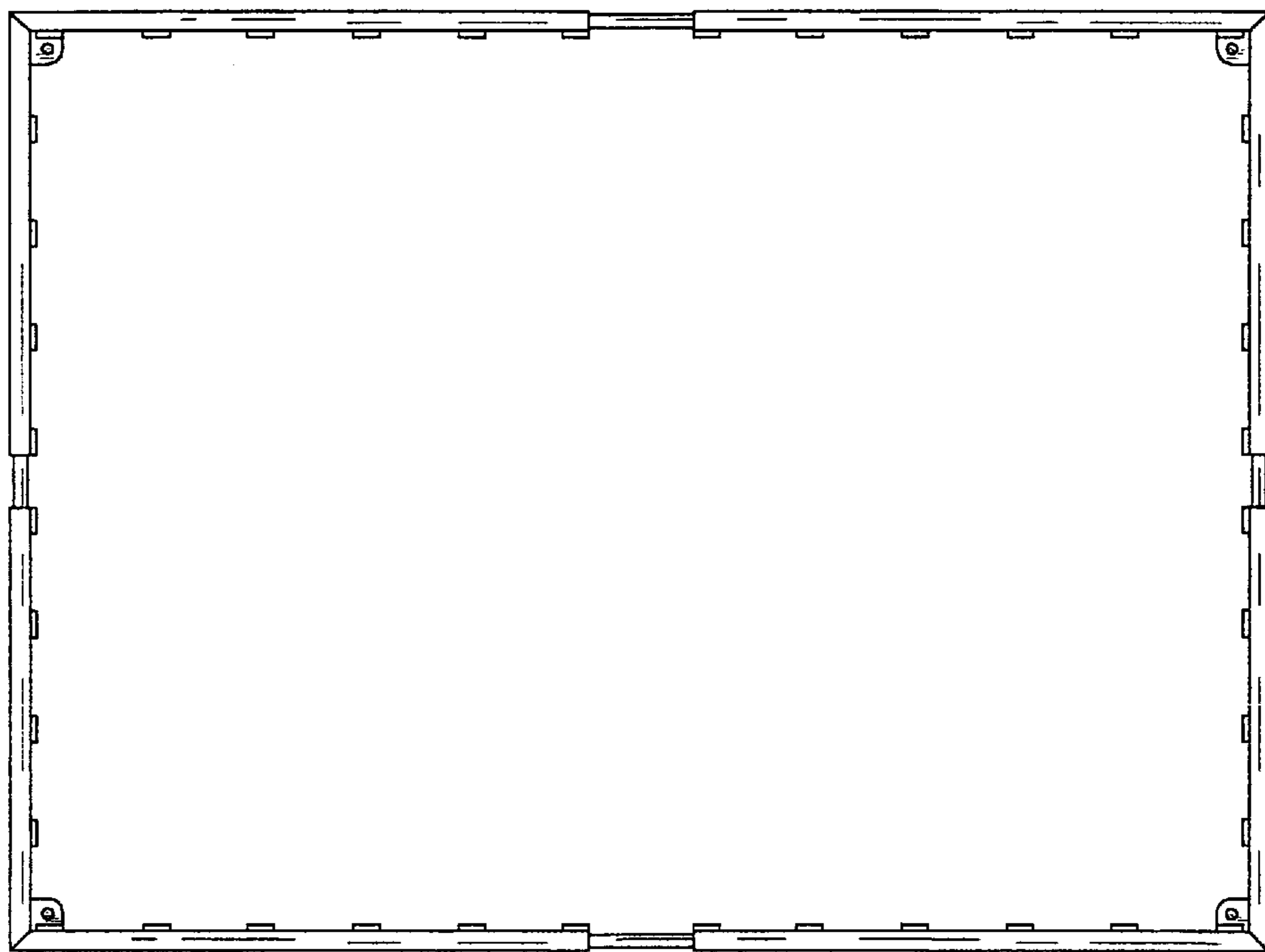


Fig. 2



Fig. 3



Fig. 4

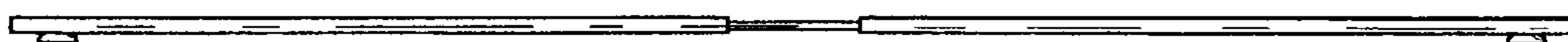


Fig. 5



Fig. 6

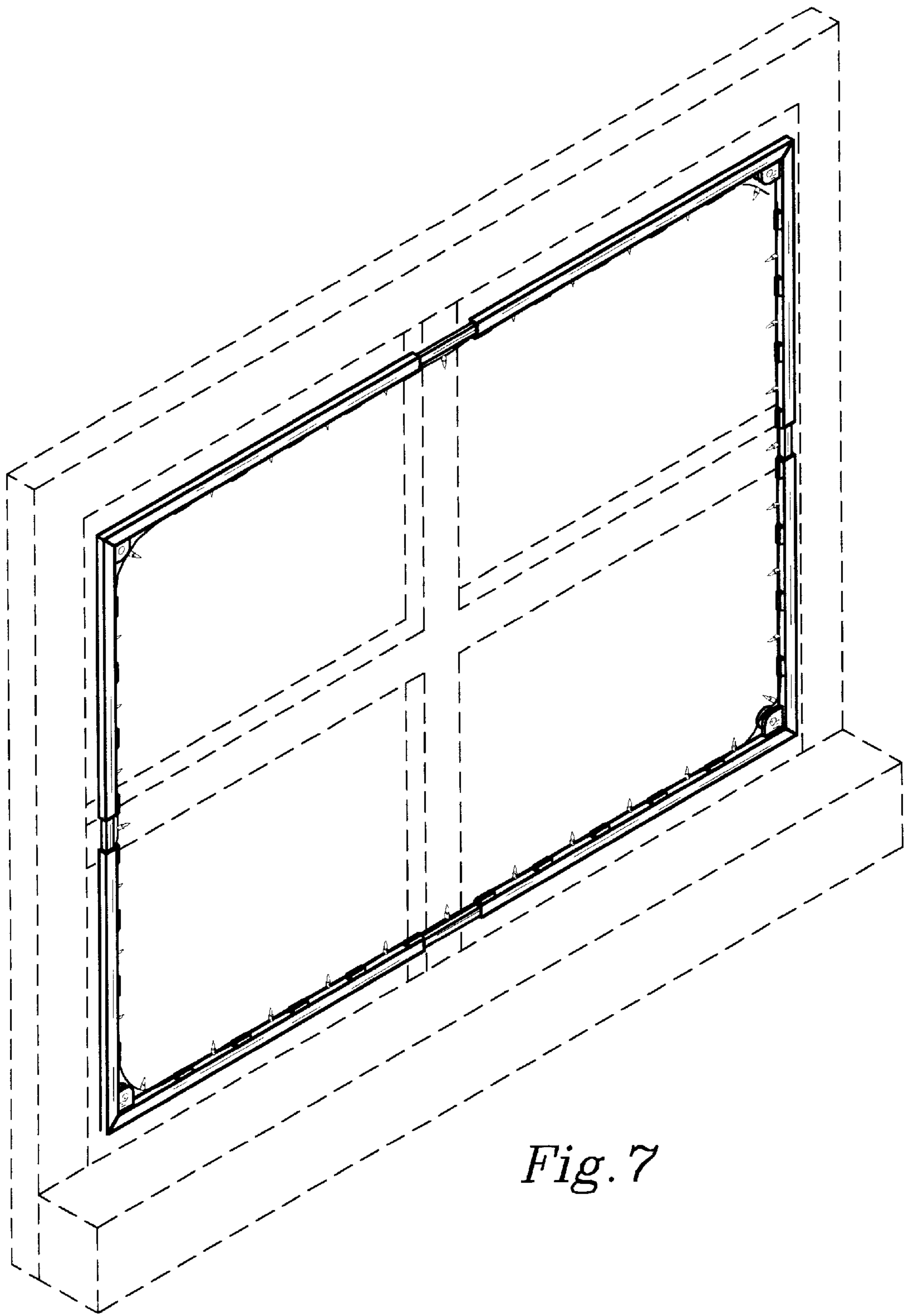


Fig. 7