



US00D426326S

United States Patent [19] Dearth

[11] **Patent Number: Des. 426,326**
[45] **Date of Patent: ** Jun. 6, 2000**

[54] **CANDLE**

D. 409,316 5/1999 Majerowski D26/6

[76] Inventor: **Charles Dearth**, 535 Cedar St.,
Chillicothe, Ohio 45601

OTHER PUBLICATIONS

Muffins, Nut Breads and More; Twist rolls; p. 120, 1985.

[**] Term: **14 Years**

Primary Examiner—Robin V. Taylor
Attorney, Agent, or Firm—Standley & Gilcrest LLP

[21] Appl. No.: **29/108,218**

[22] Filed: **Jul. 22, 1999**

[57] CLAIM

The ornamental design for a candle, as shown and described.

[51] **LOC (7) Cl.** **26-04**

[52] **U.S. Cl.** **D26/7**

DESCRIPTION

[58] **Field of Search** D26/6, 7, 9, 16;
D1/120, 129, 130; 431/125-6, 288, 291

FIG. 1 is a perspective view of the candle of the present invention;

FIG. 2 is a top plan view of the candle of FIG. 1;

FIG. 3 is a side elevation view of the candle of FIG. 1;

FIG. 4 is another side elevation view of the candle of FIG. 1; and,

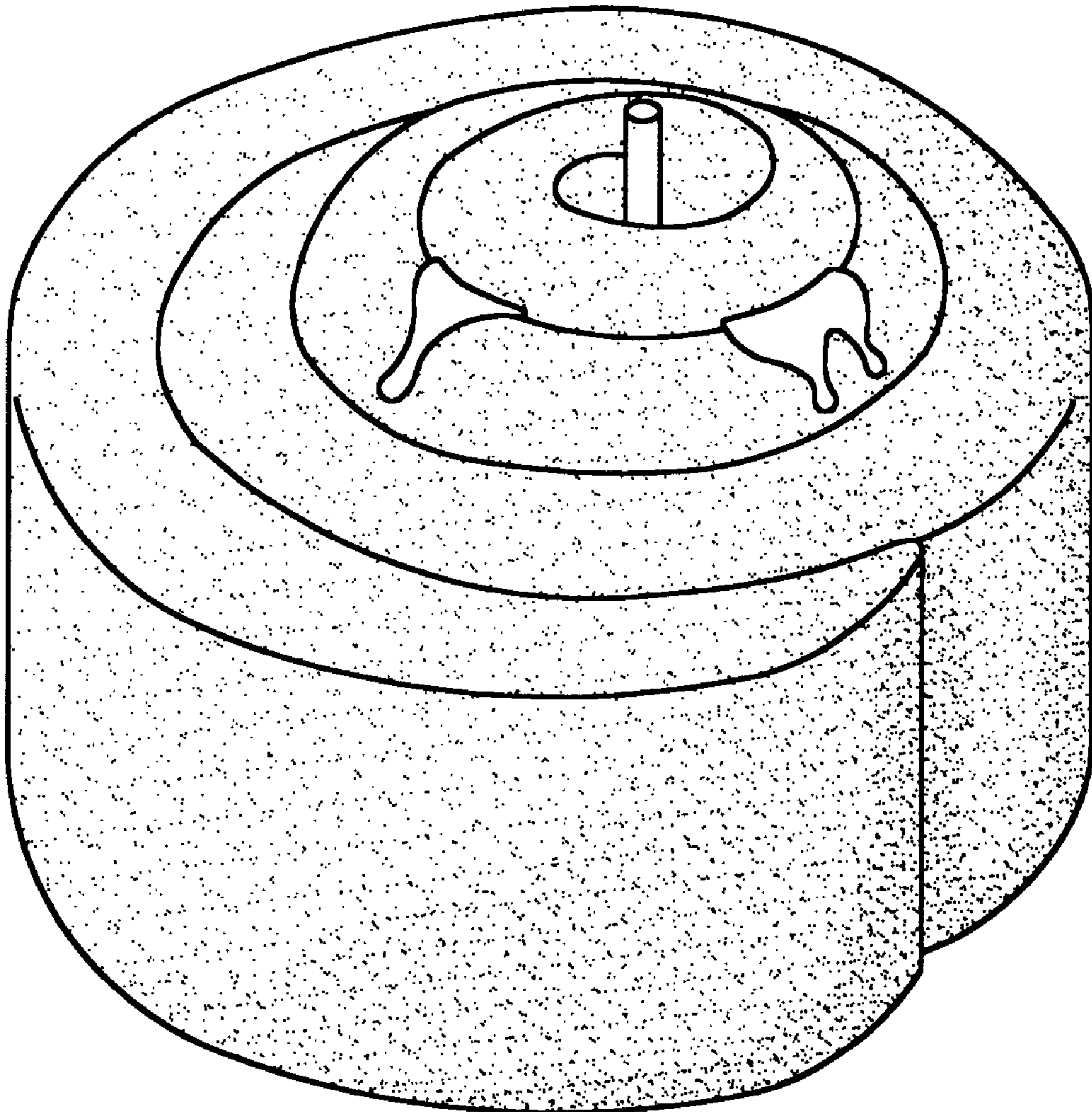
FIG. 5 is a bottom plan view of the candle of FIG. 1.

[56] References Cited

U.S. PATENT DOCUMENTS

D. 119,776	4/1940	Bilkau	D26/6
D. 147,730	10/1947	Hussey	D26/6
D. 346,038	4/1994	Buttermann	D26/6
D. 397,459	8/1998	Hsu	D26/6

1 Claim, 2 Drawing Sheets



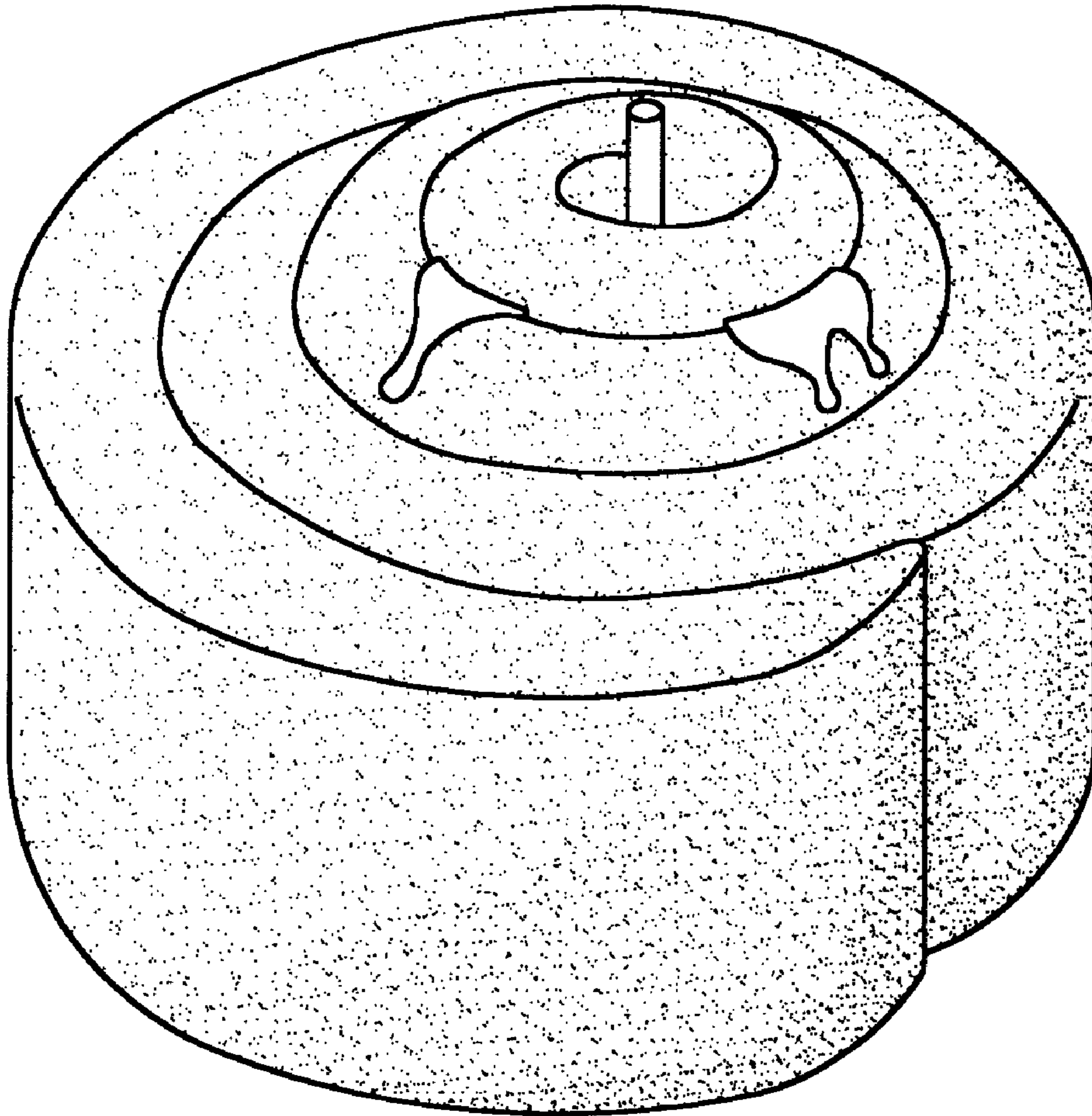


FIG-1

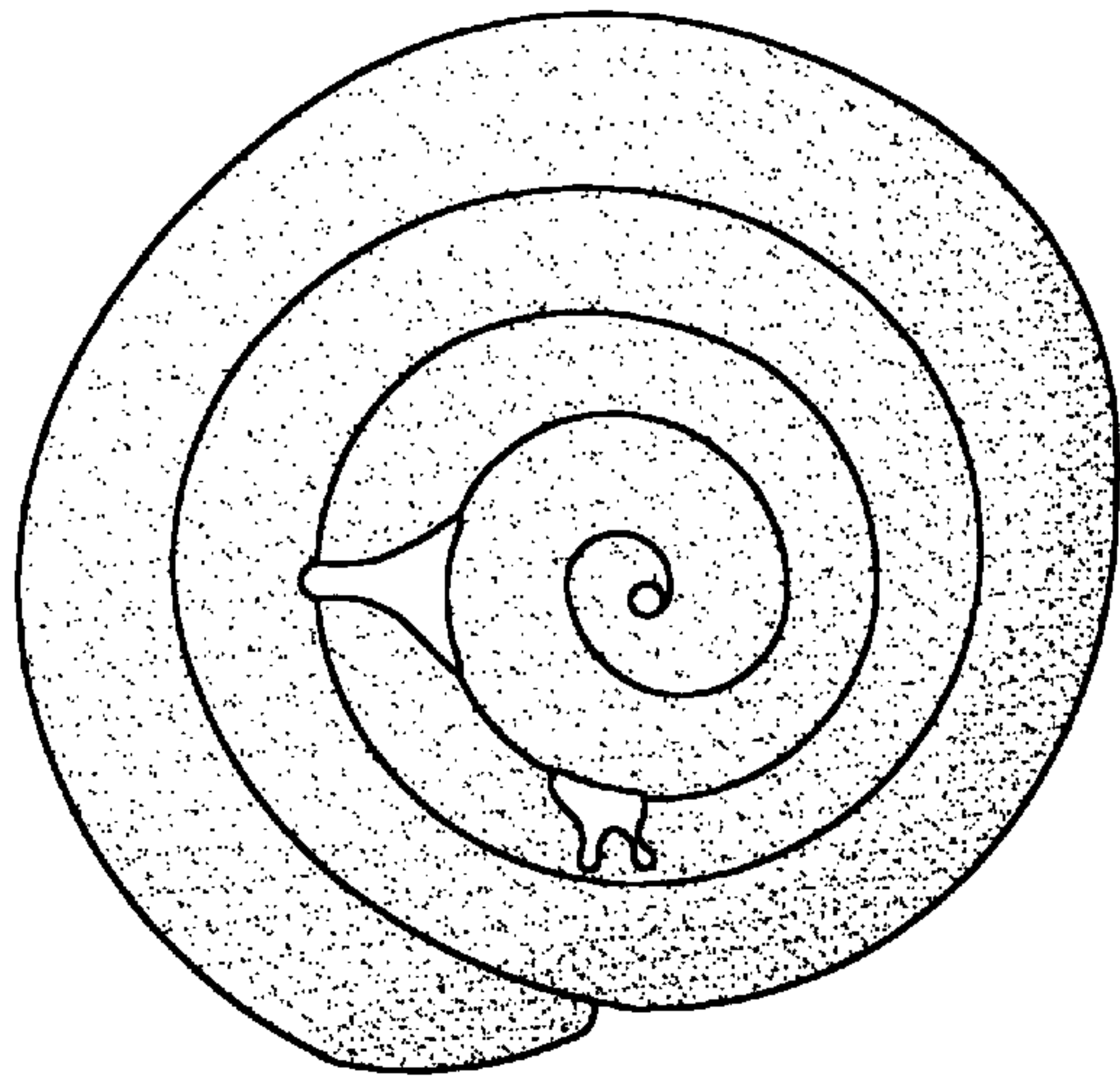


FIG-2

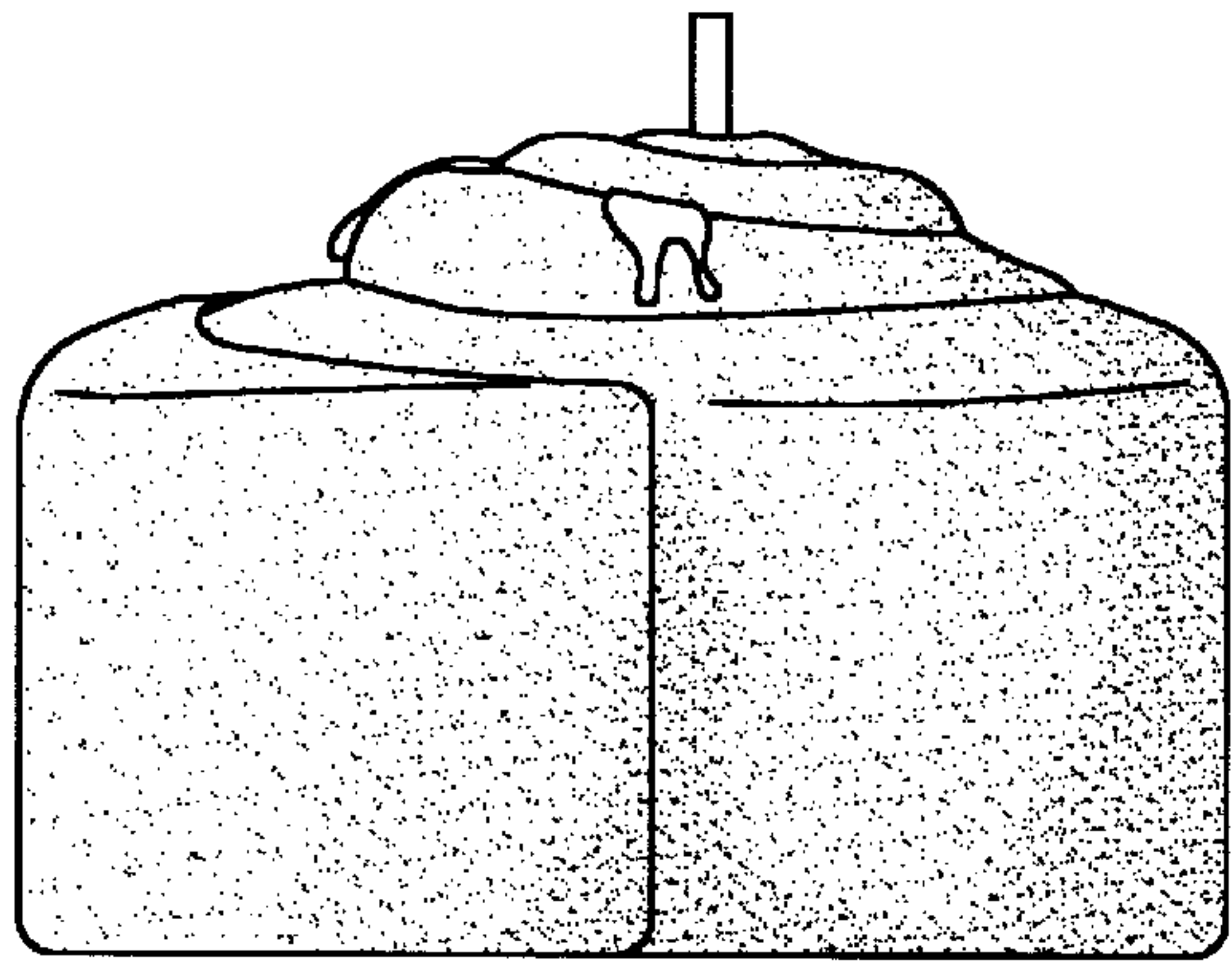


FIG-3

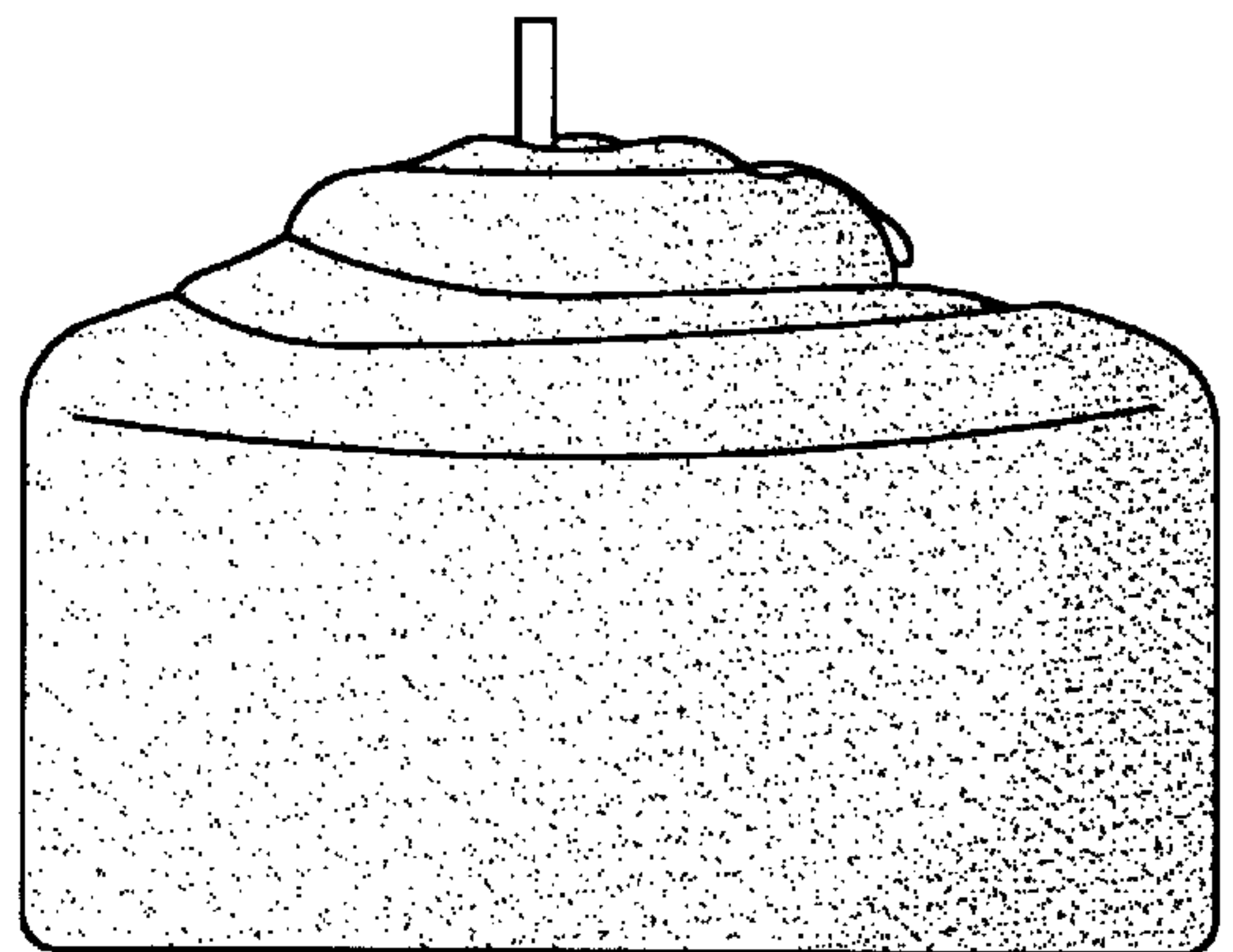


FIG-4

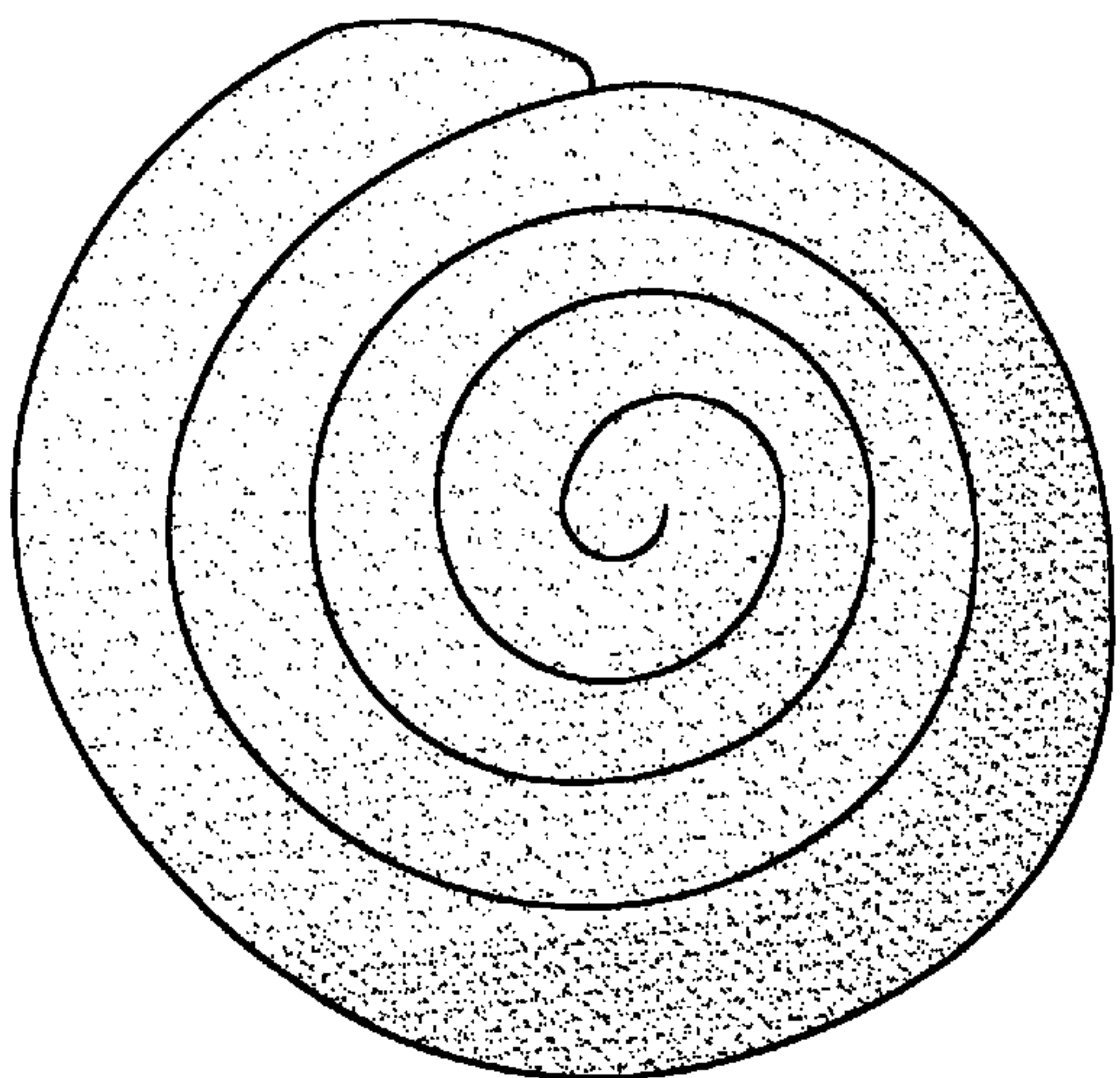


FIG-5