



US00D426325S

United States Patent [19] Ho

[11] **Patent Number: Des. 426,325**
[45] **Date of Patent: ** Jun. 6, 2000**

[54] **FLUORESCENT TUBE**

[75] **Inventor: Wing Yuk Ho**, Sunshine, The Hong Kong Special Administrative Region of the People's Republic of China

[73] **Assignee: Mei Ah Lighting Industrial Limited**, New Territories, The Hong Kong Special Administrative Region of the People's Republic of China

[**] **Term: 14 Years**

[21] **Appl. No.: 29/112,558**

[22] **Filed: Oct. 20, 1999**

[51] **LOC (7) Cl. 26-04**

[52] **U.S. Cl. D26/3**

[58] **Field of Search** D26/1, 2, 3, 4, D26/26; 313/313, 315, 318, 493; 315/53, 56, 57, 58

[56] **References Cited**

U.S. PATENT DOCUMENTS

D. 289,798 5/1987 Joosten D26/3

- D. 302,733 8/1989 Sangen et al. D26/3
- D. 334,244 3/1993 Shaffer et al. D26/3
- D. 346,456 4/1994 Matsumura et al. D26/3
- D. 347,076 5/1994 DeKleine et al. D26/3
- D. 383,224 9/1997 Sangen et al. D26/3
- D. 417,296 11/1999 Kato et al. D26/3

Primary Examiner—Marcus A. Jackson
Attorney, Agent, or Firm—Rabin & Champagne, P.C.

[57] **CLAIM**

The ornamental design for a fluorescent tube, as shown and described.

DESCRIPTION

FIG. 1 is a front view of a fluorescent tube showing my new design;
FIG. 2 is a rear view thereof;
FIG. 3 is a top view thereof;
FIG. 4 is a left side view thereof;
FIG. 5 is a right side view thereof;
FIG. 6 is a bottom view thereof;
FIG. 7 is a side view of FIG. 6 in the direction of "A"; and,
FIG. 8 is a side view of FIG. 6 in the direction of "B".

1 Claim, 3 Drawing Sheets

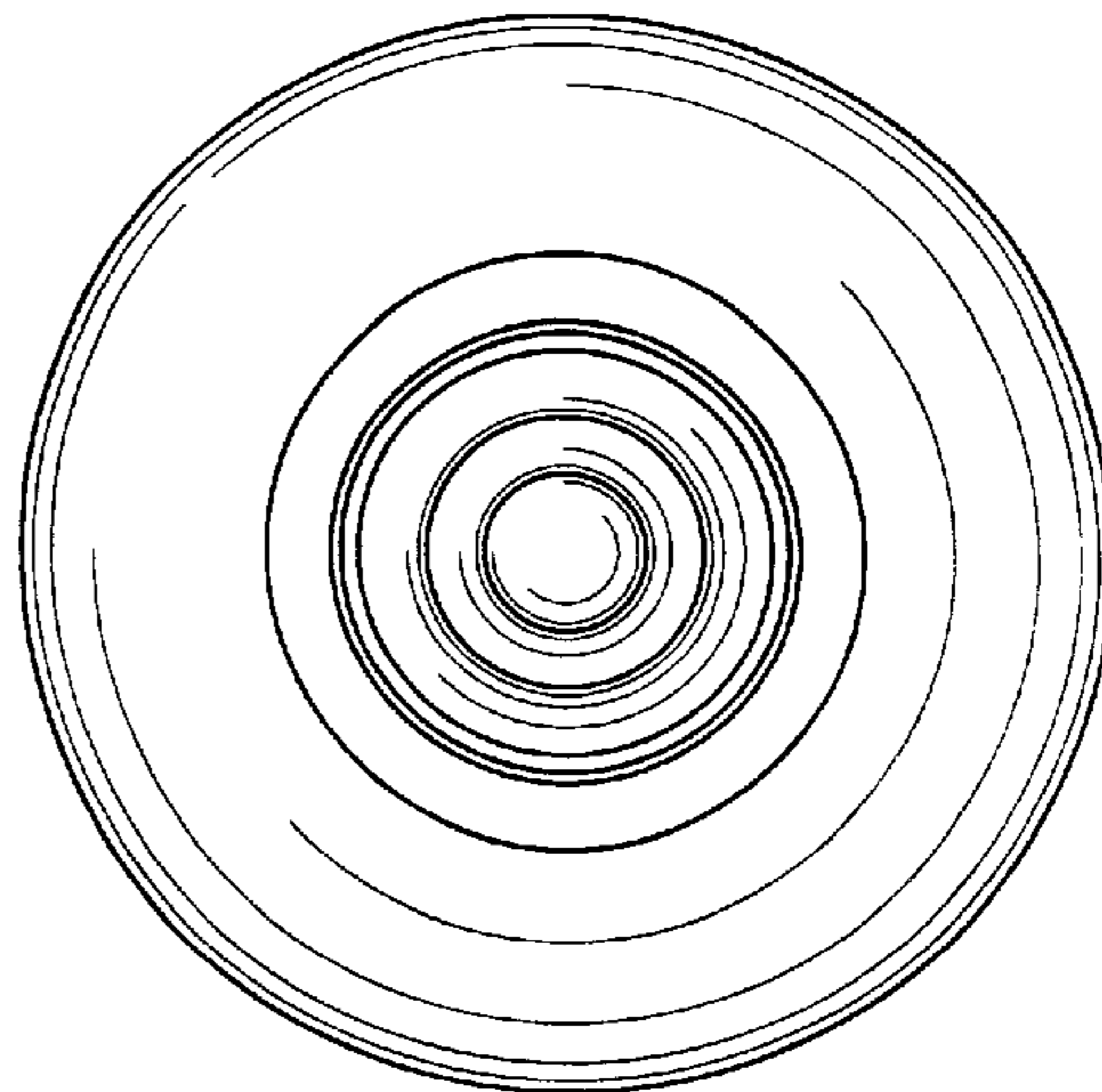
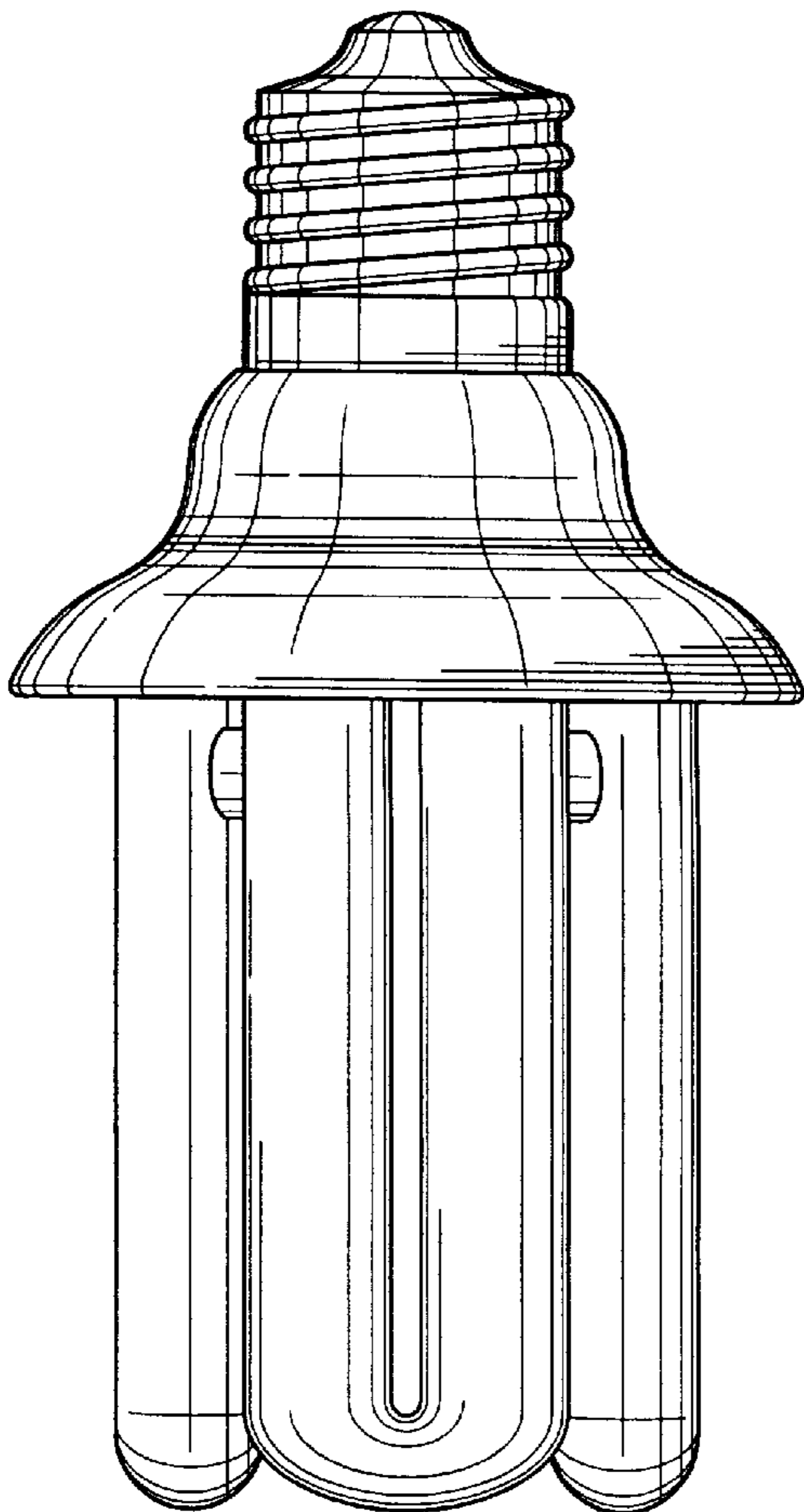


FIG. 3

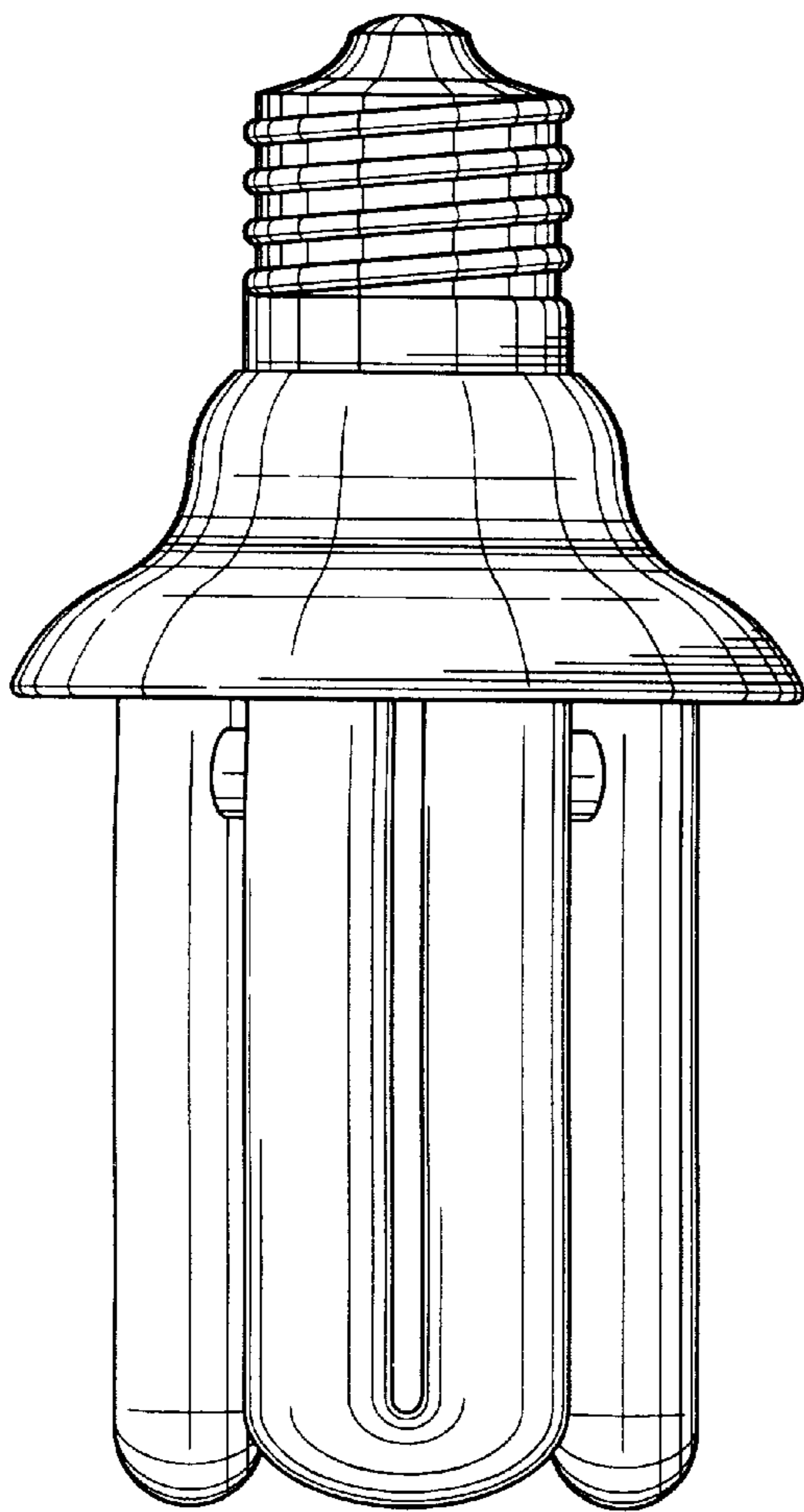
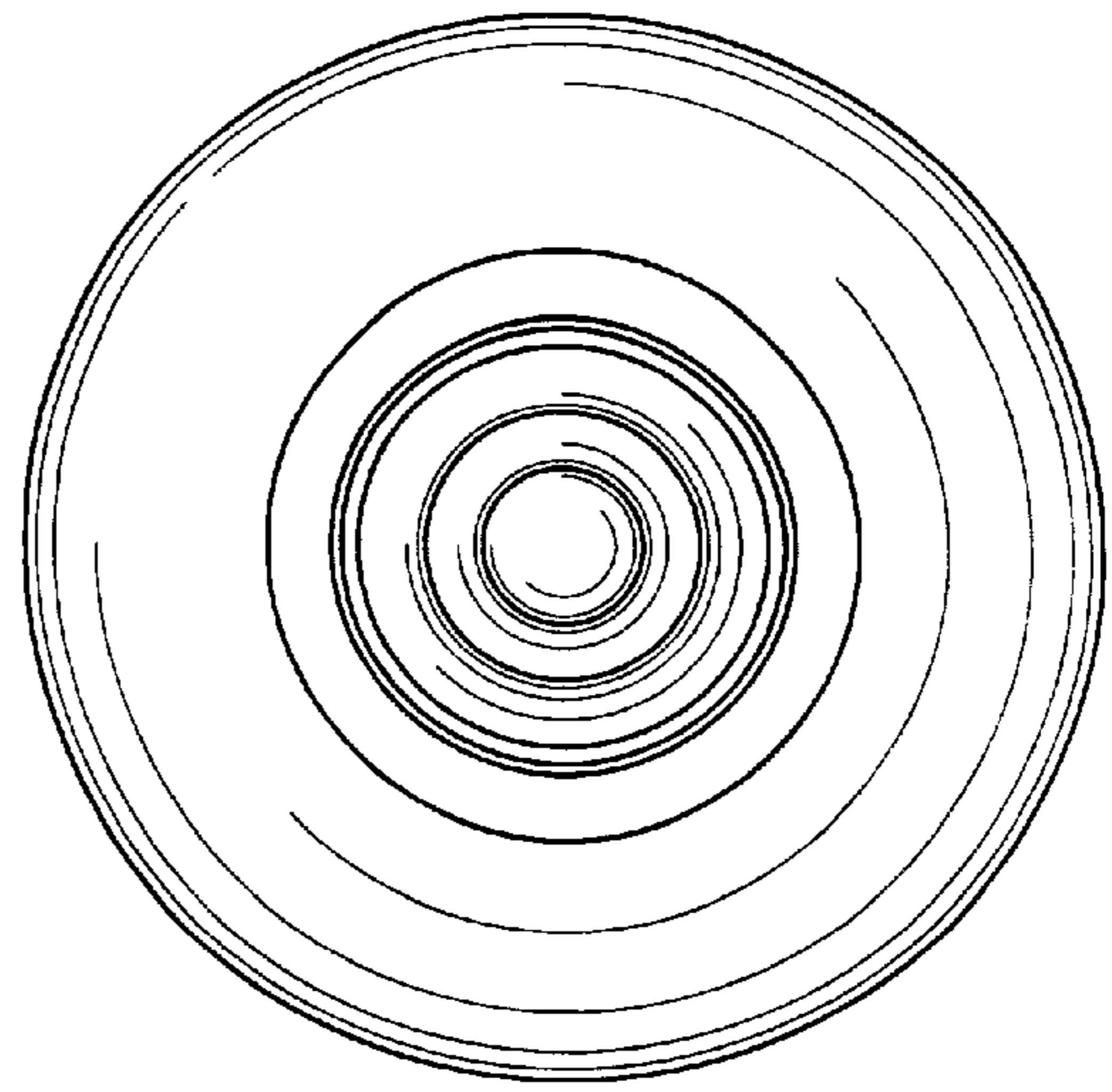


FIG. 2

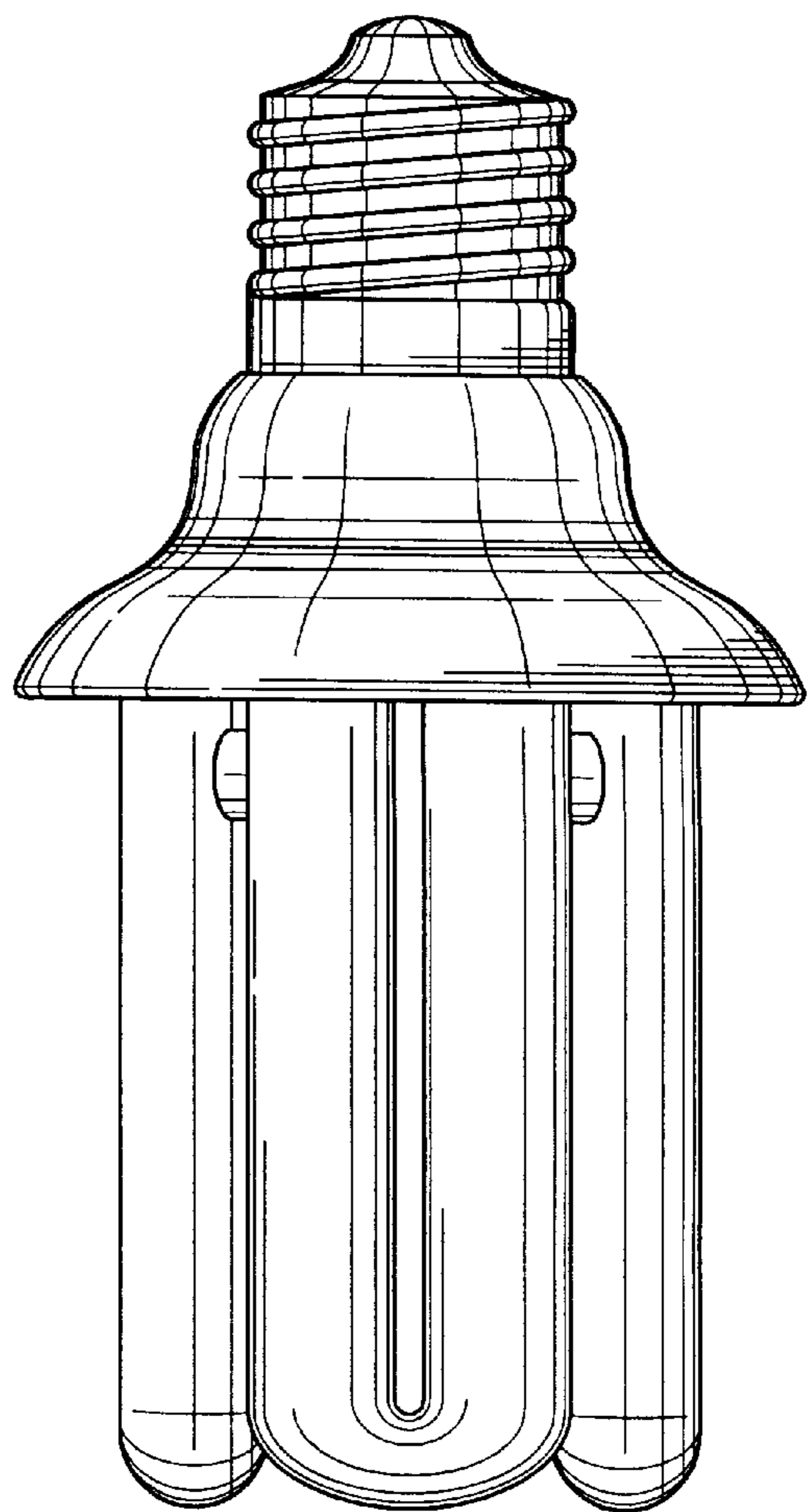


FIG. 1

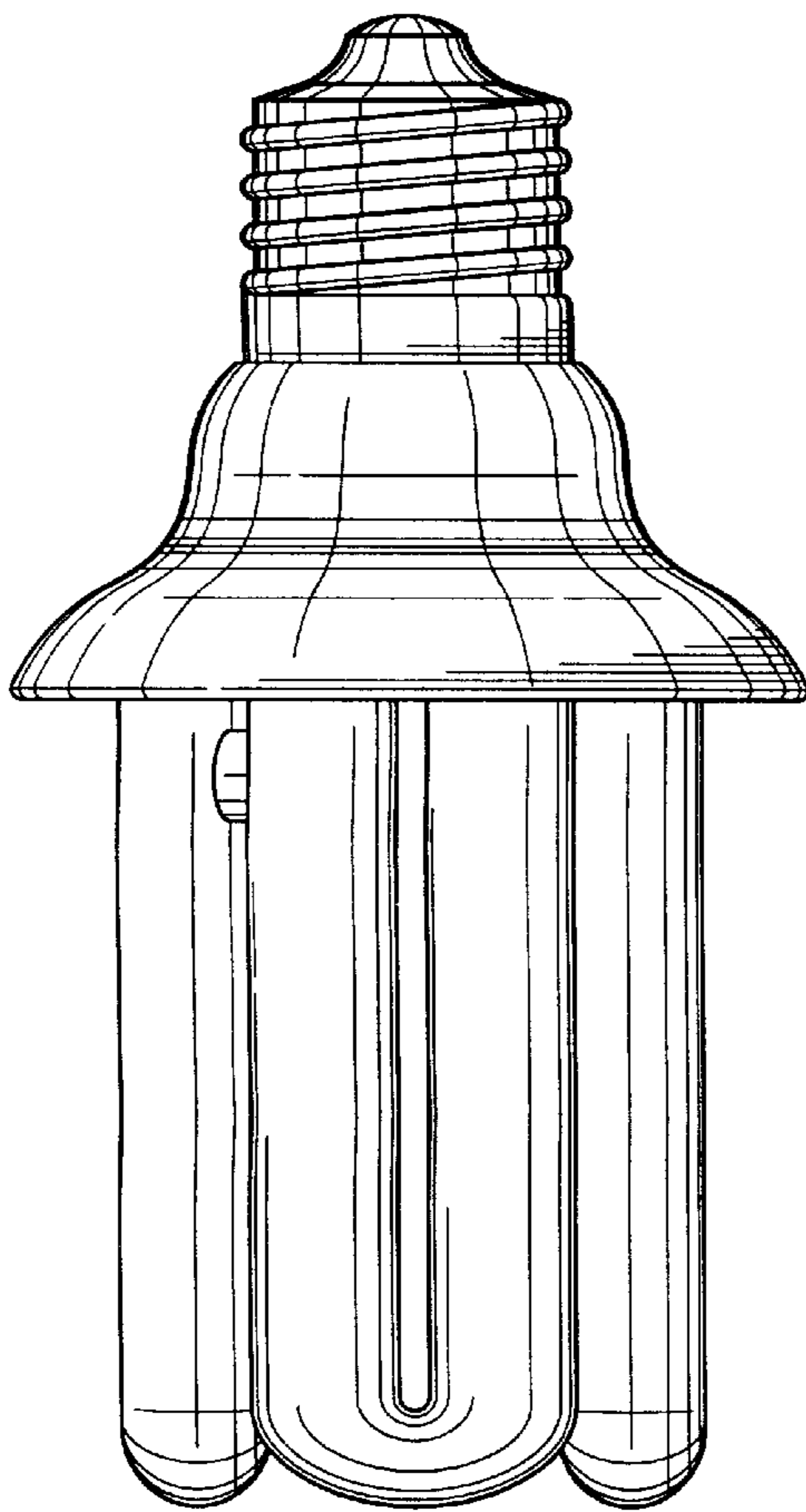


FIG. 4

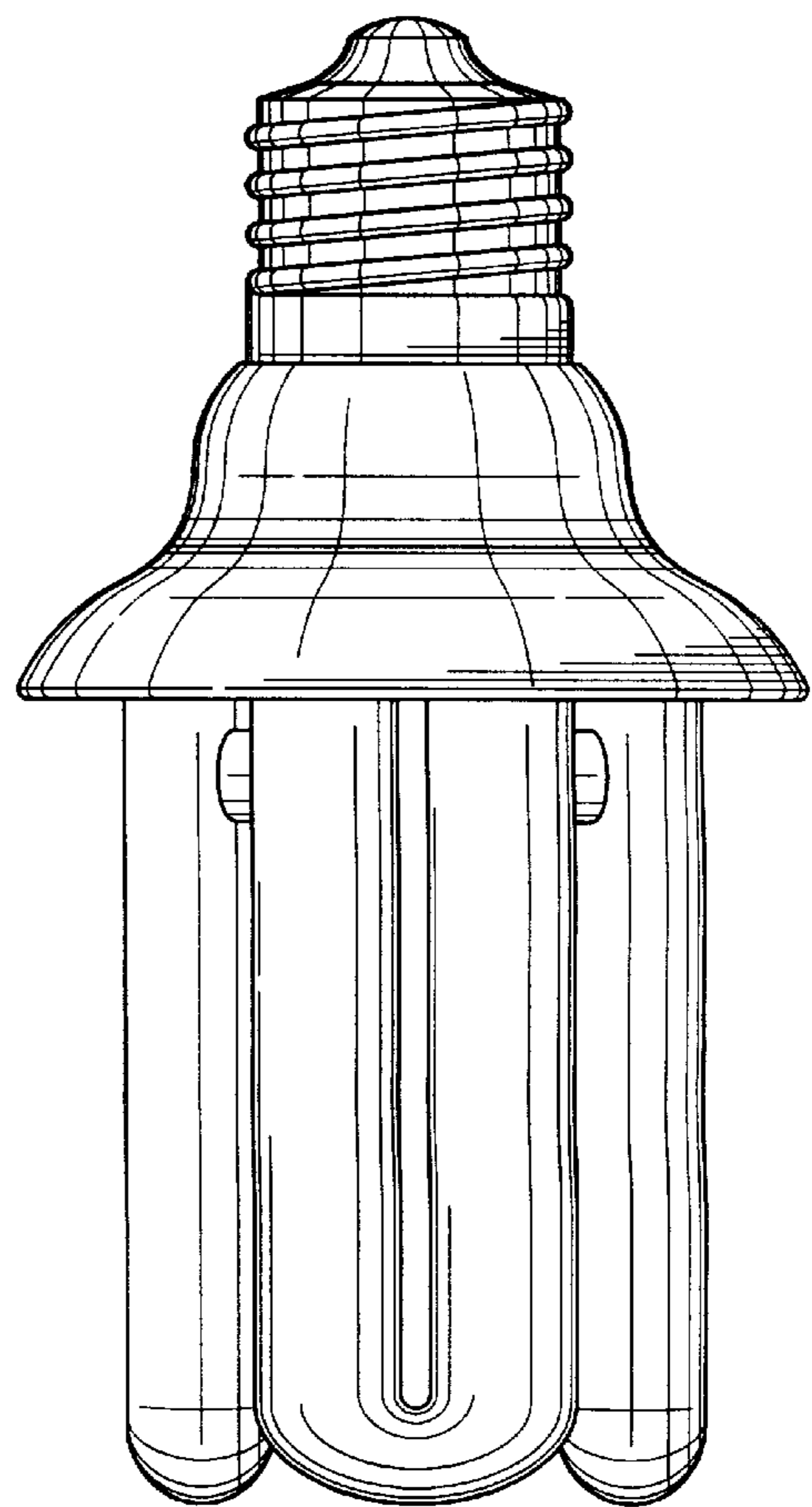


FIG. 5

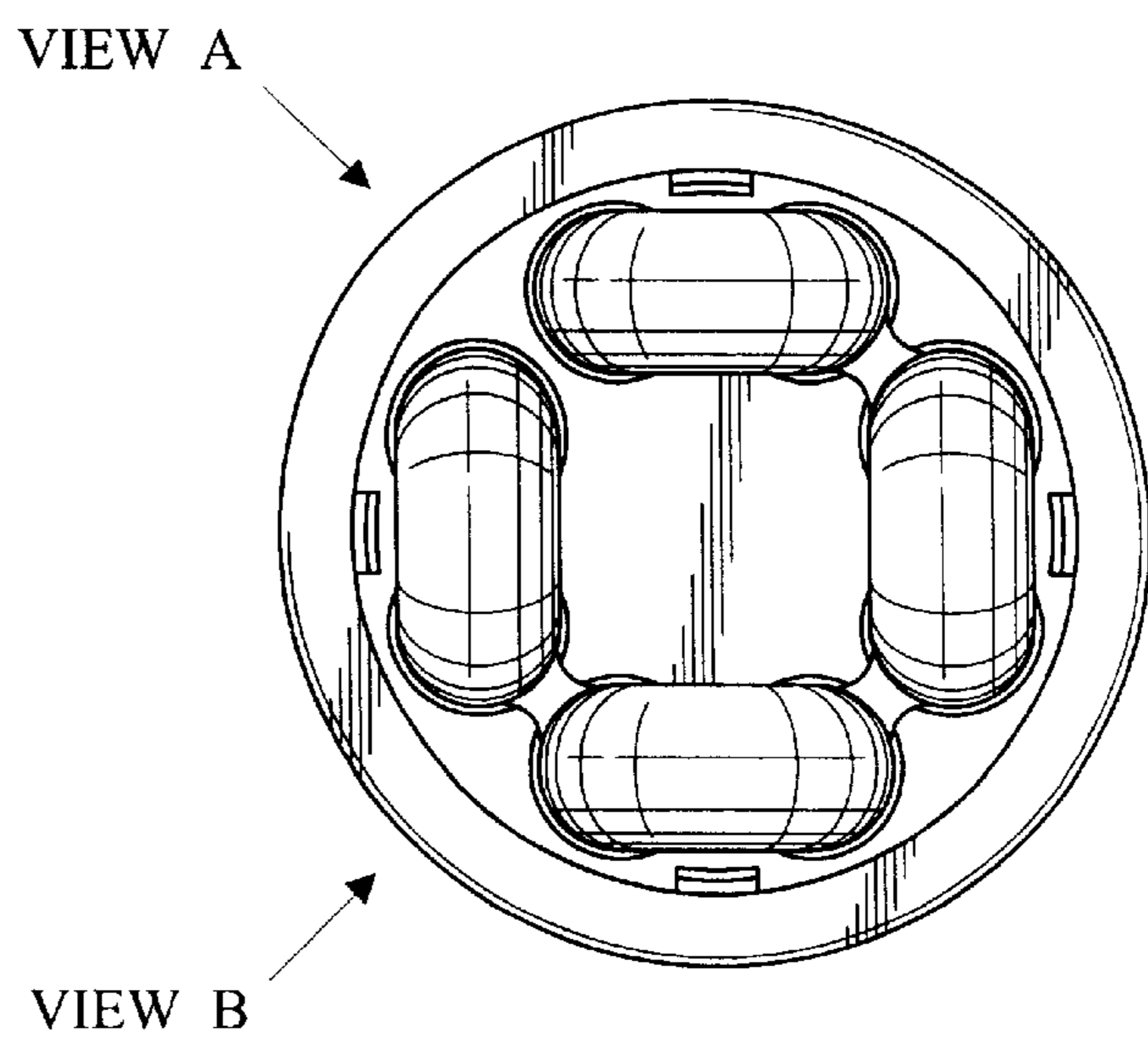


FIG. 6

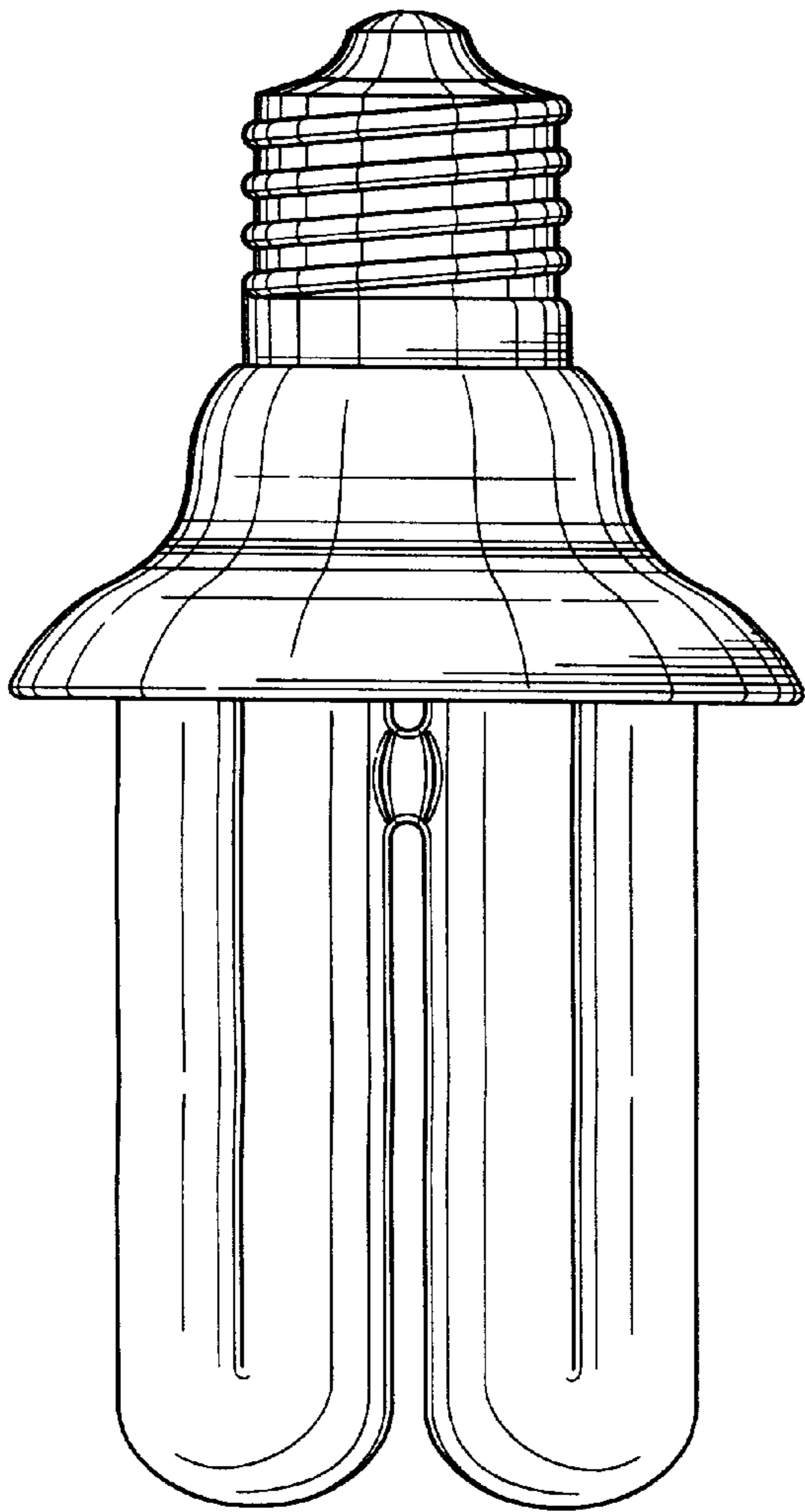


FIG. 8

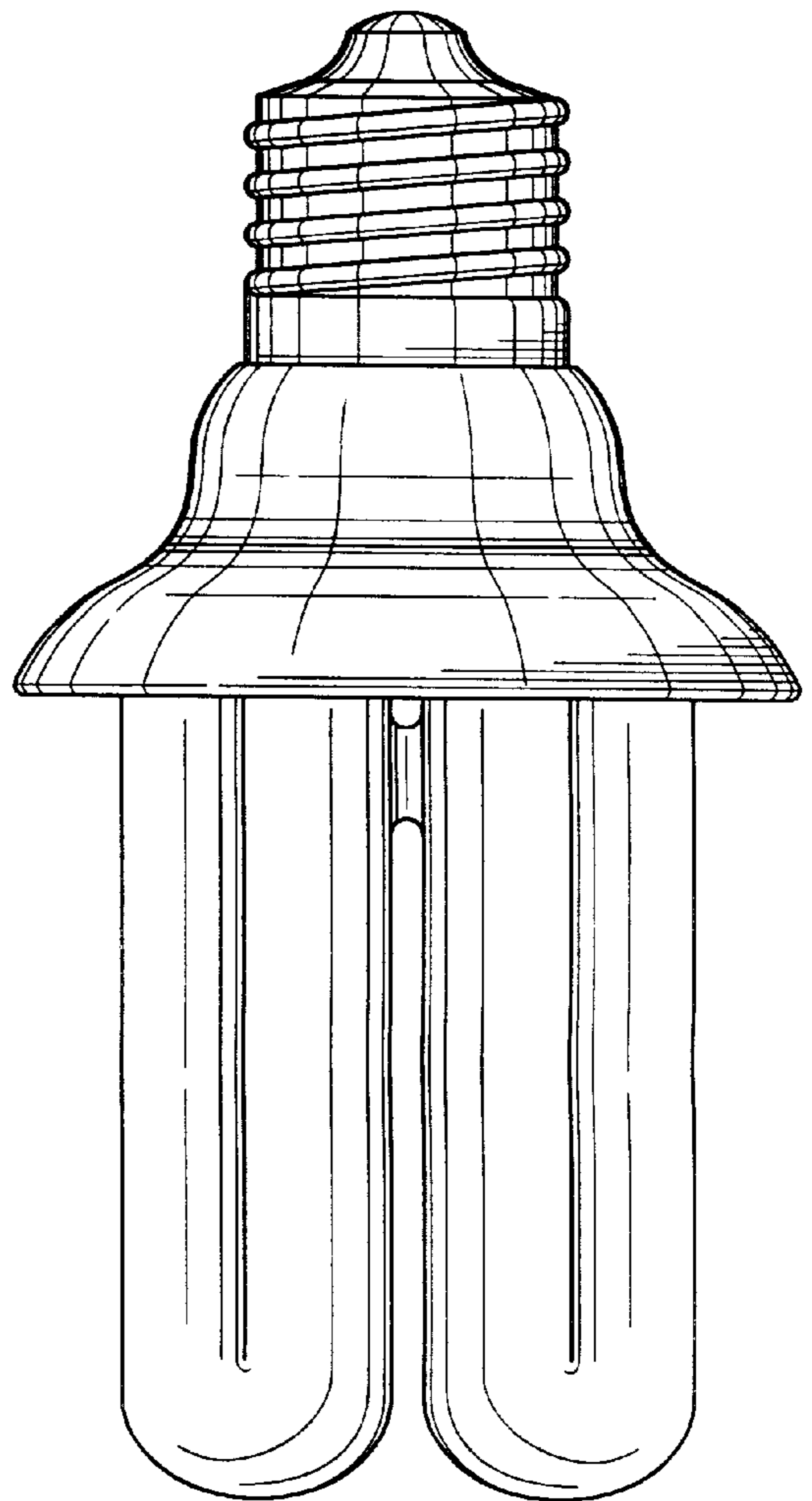


FIG. 7