



US00D426324S

United States Patent [19]
Gunsagar et al.

[11] **Patent Number: Des. 426,324**
[45] **Date of Patent: ** Jun. 6, 2000**

[54] **SUBCOMPACT FLUORESCENT LAMP**

D. 414,883 10/1999 Kato et al. D26/3

[75] Inventors: **Kamleshwar C. Gunsagar; Ishwar Dayal Jain**, both of Santa Clara, Calif.

Primary Examiner—Marcus A. Jackson
Attorney, Agent, or Firm—Wilson Sonsini Goodrich & Rosati

[73] Assignee: **Planet Mirth**, San Jose, Calif.

[57] **CLAIM**

[**] Term: **14 Years**

The ornamental design for a subcompact fluorescent lamp, as shown and described.

[21] Appl. No.: **29/103,557**

[22] Filed: **Apr. 16, 1999**

DESCRIPTION

[51] **LOC (7) Cl.** **26-04**

[52] **U.S. Cl.** **D26/3**

[58] **Field of Search** D26/1, 2, 3, 26;
313/313, 315, 318, 493; 315/53, 56, 57,
58

FIG. 1 is a side view of a subcompact fluorescent lamp, showing our new design, with the broken lines showing for illustrative purposes only and forming no part of the claimed design;

FIG. 2 is a top view thereof;

FIG. 3 is a bottom view thereof;

FIG. 4 is a side view thereof;

FIG. 5 is a side view thereof;

FIG. 6 is a side view thereof; and,

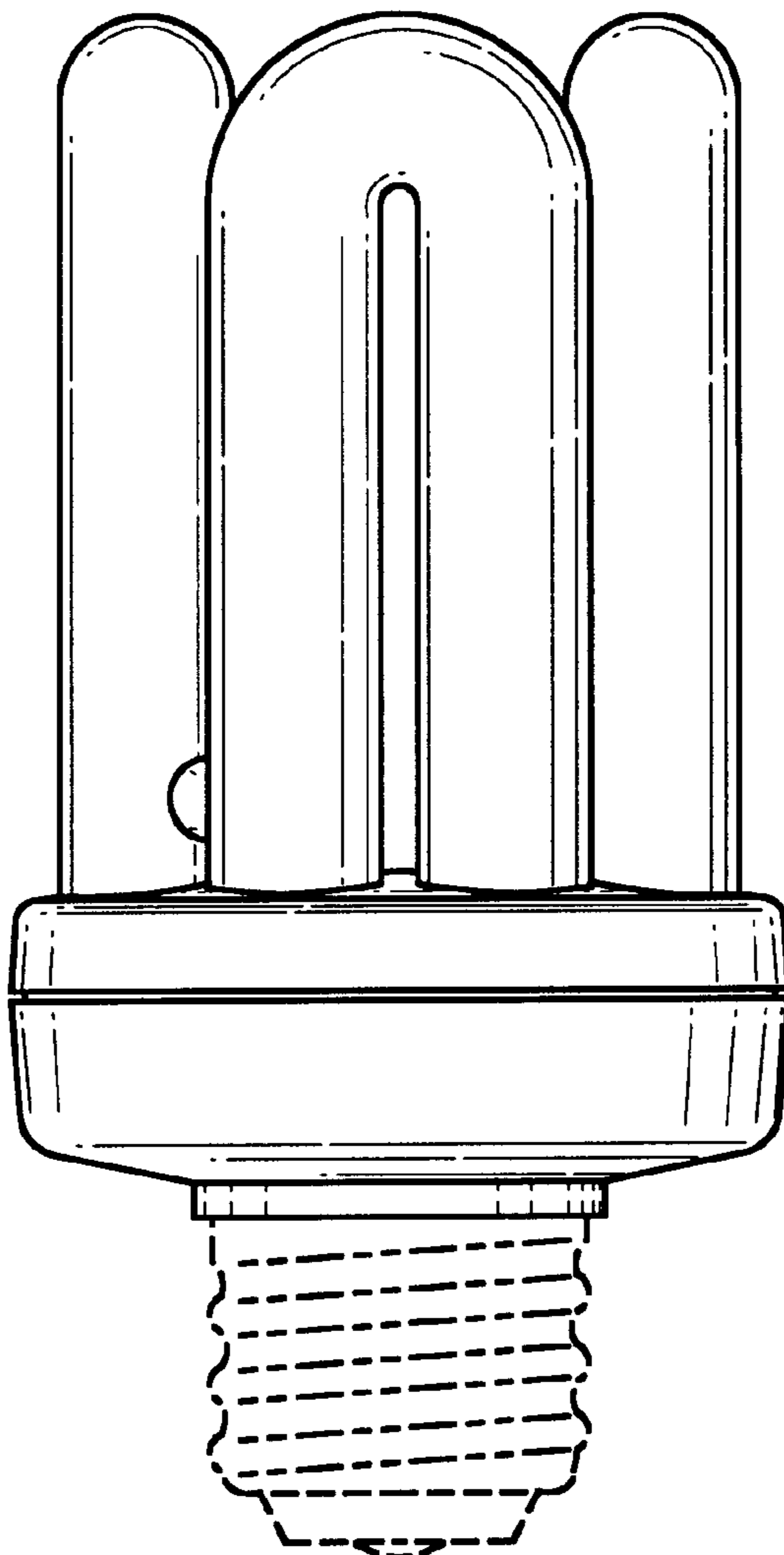
FIG. 7 is a side view thereof.

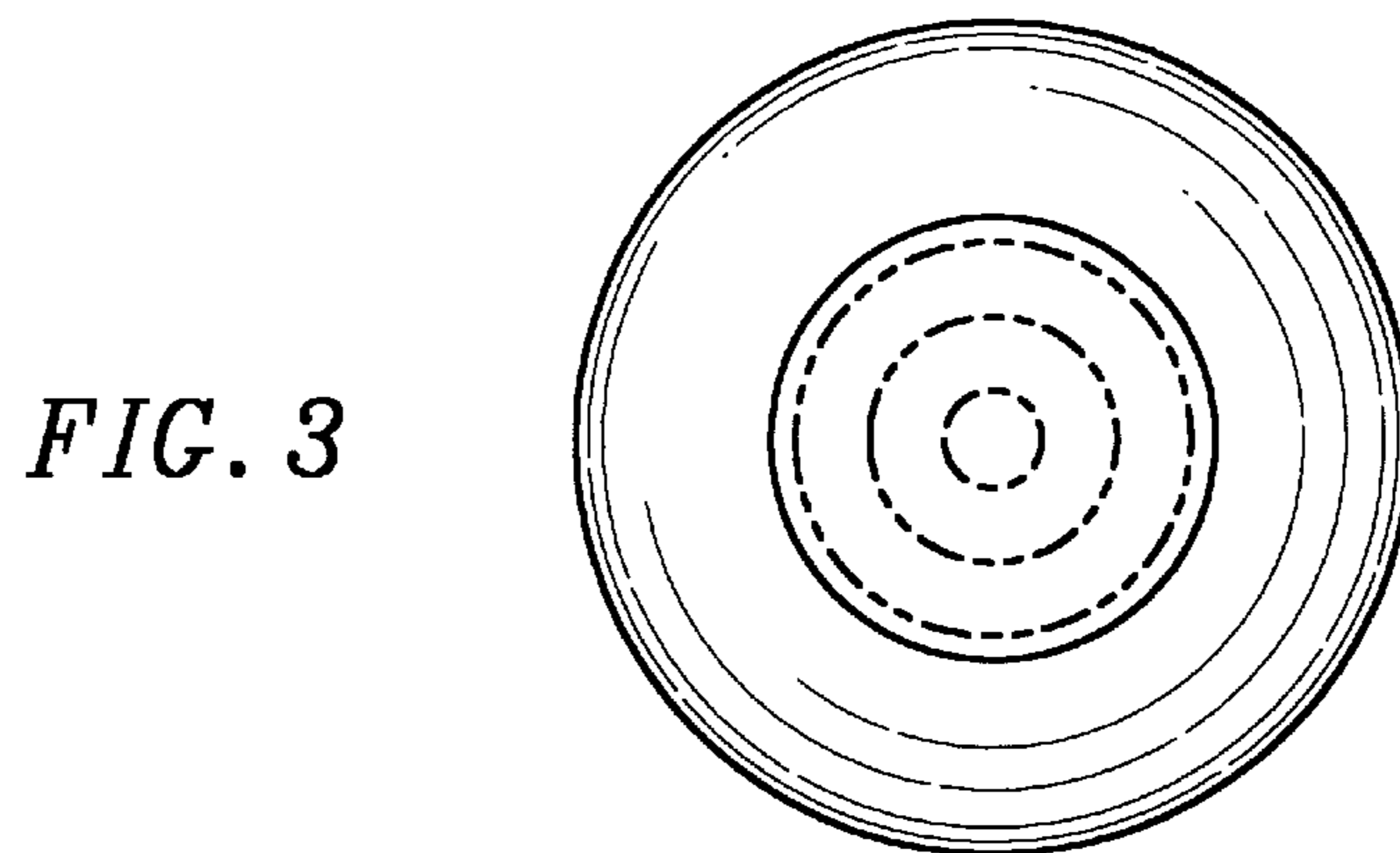
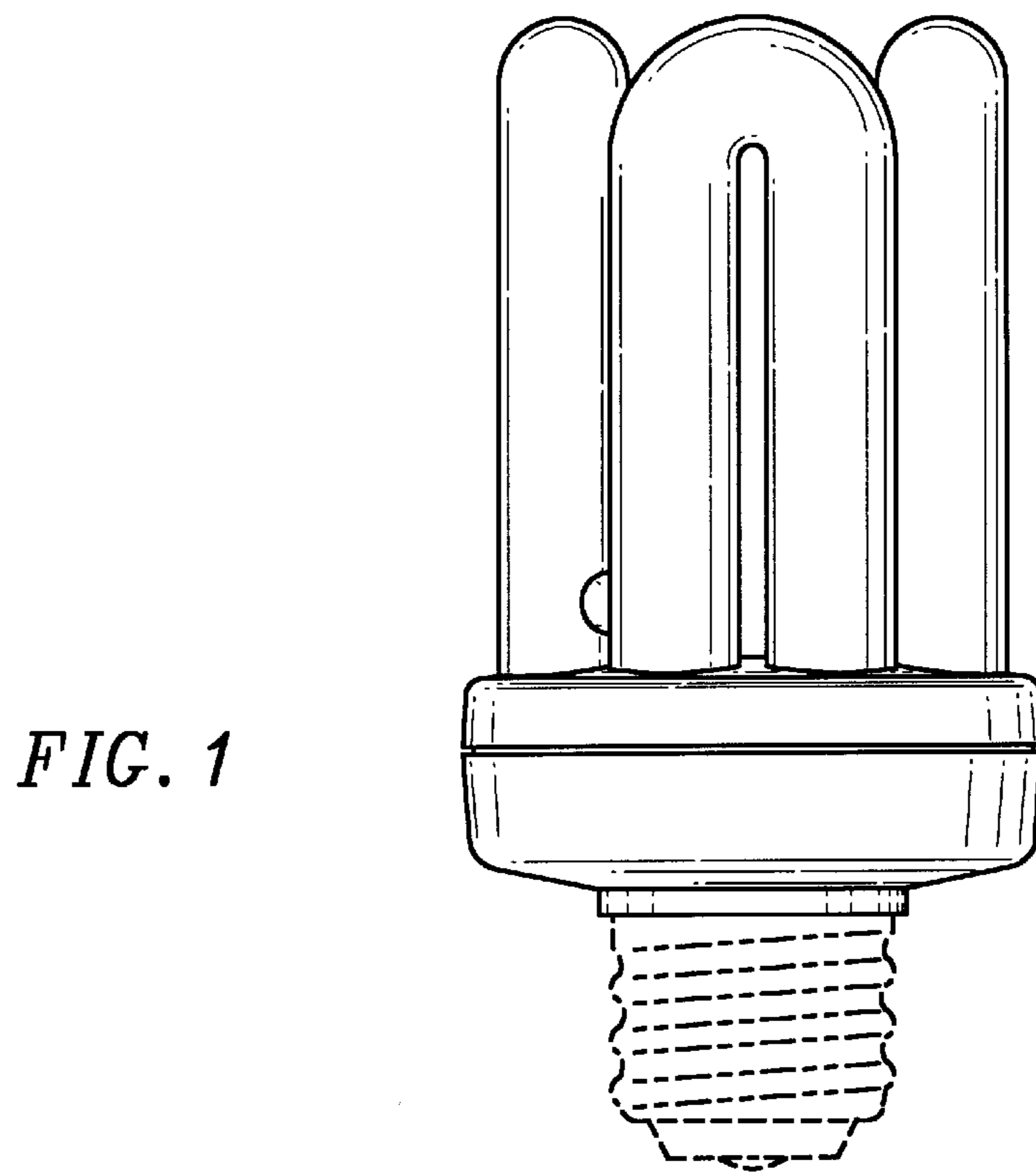
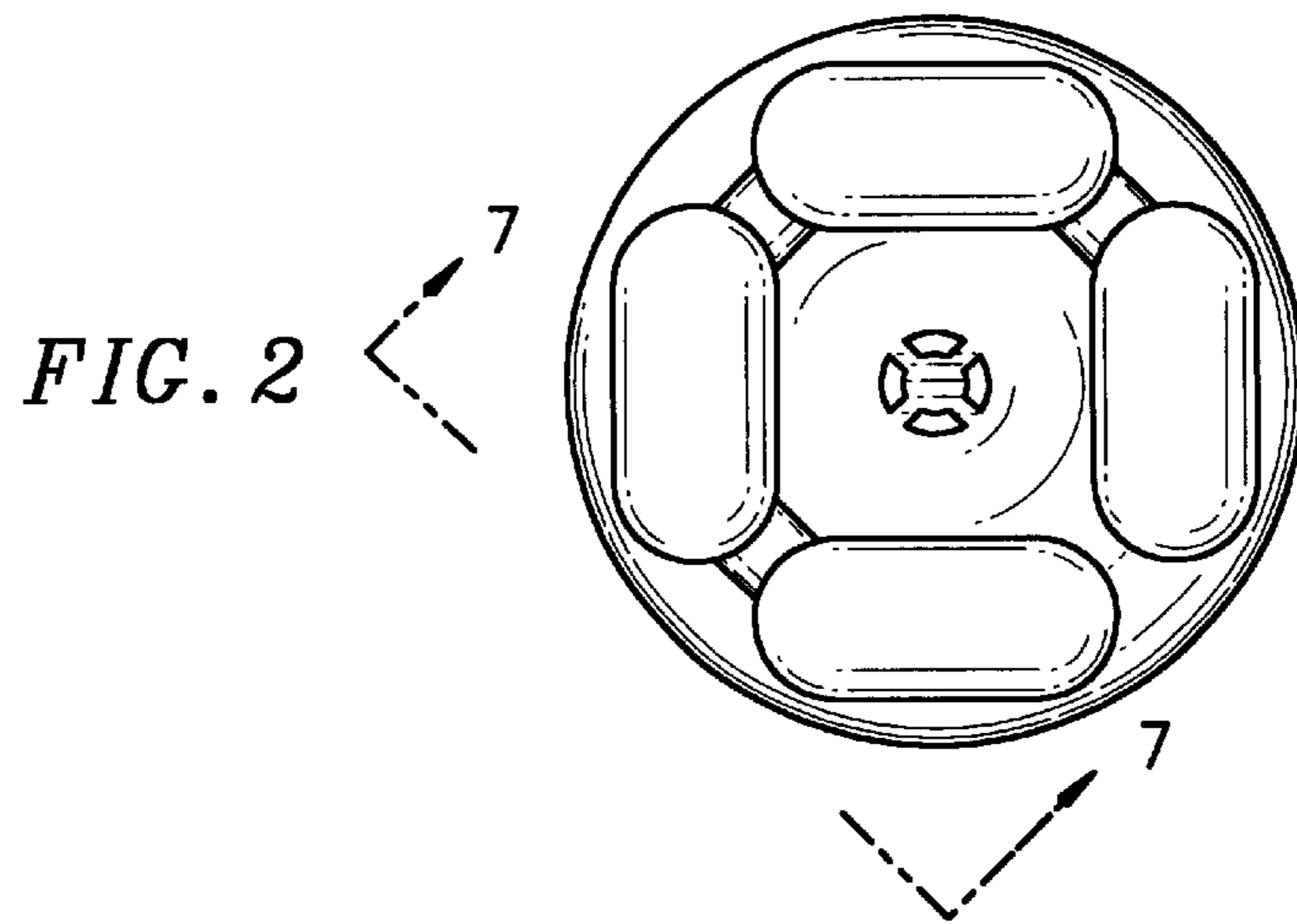
[56] **References Cited**

U.S. PATENT DOCUMENTS

- D. 334,244 3/1993 Shaffer et al. D26/3
- D. 347,076 5/1994 De Kleine et al. D26/3
- D. 357,546 4/1995 Hermes D26/3

1 Claim, 2 Drawing Sheets





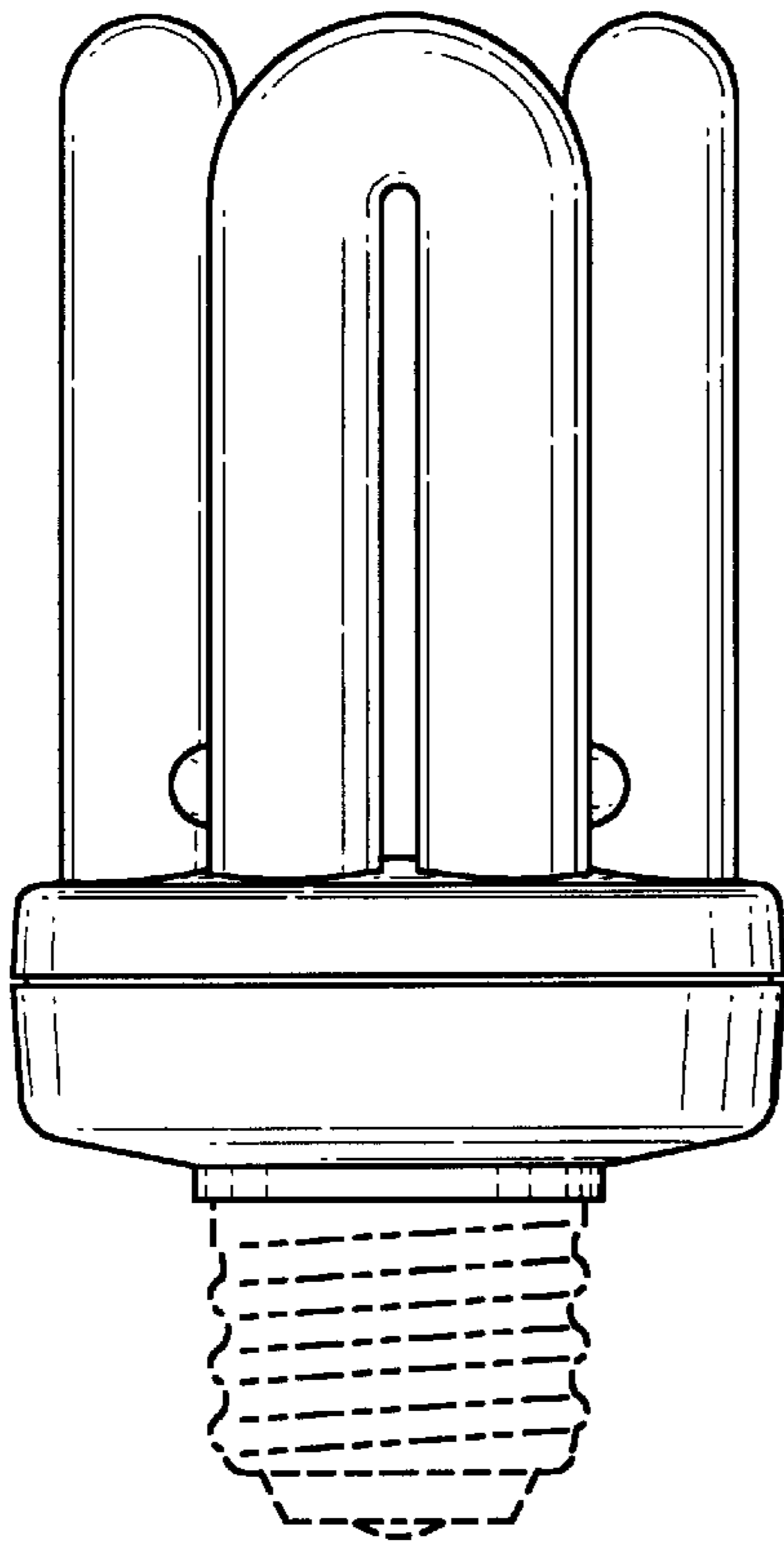


FIG. 4

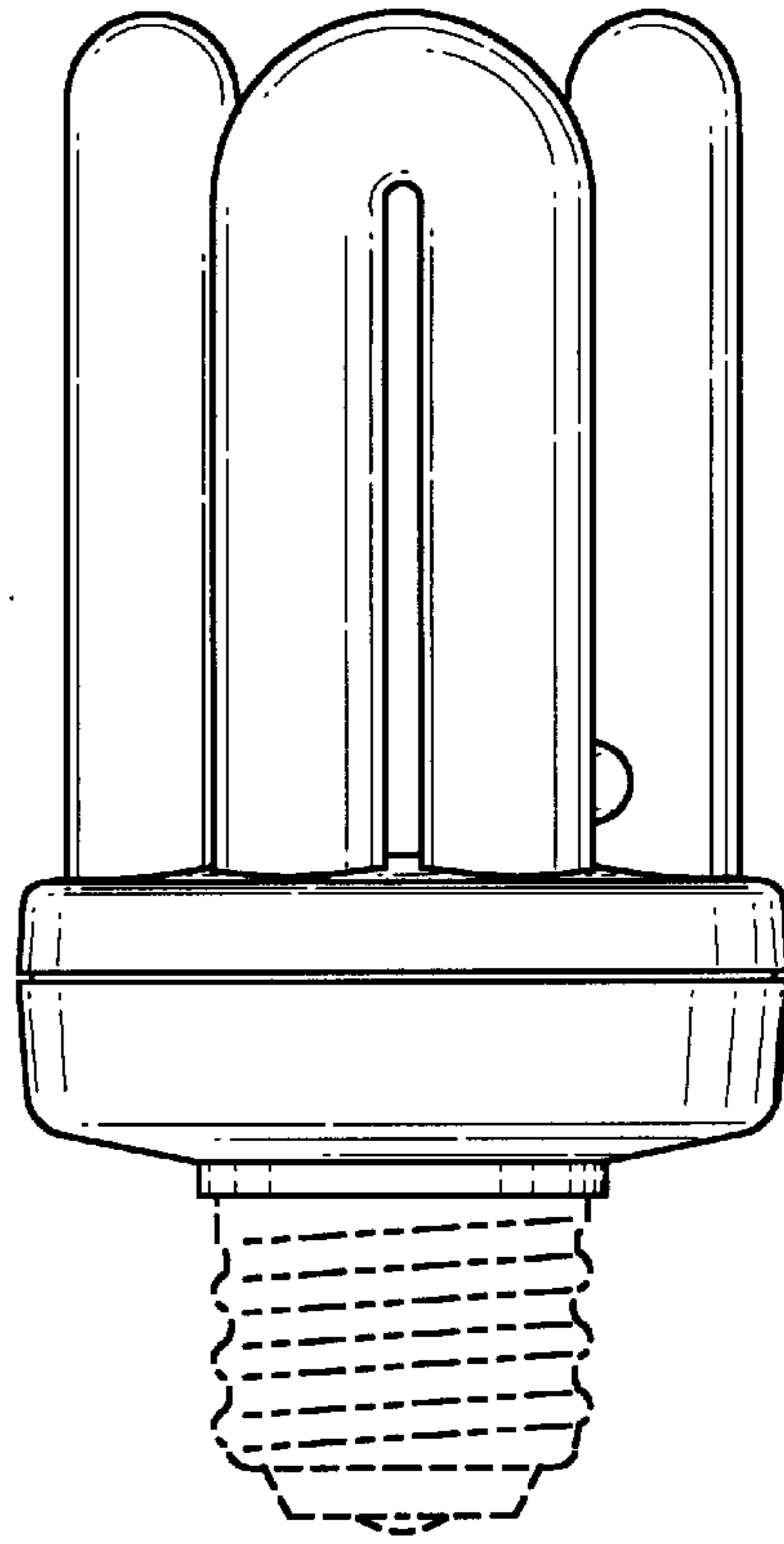


FIG. 5

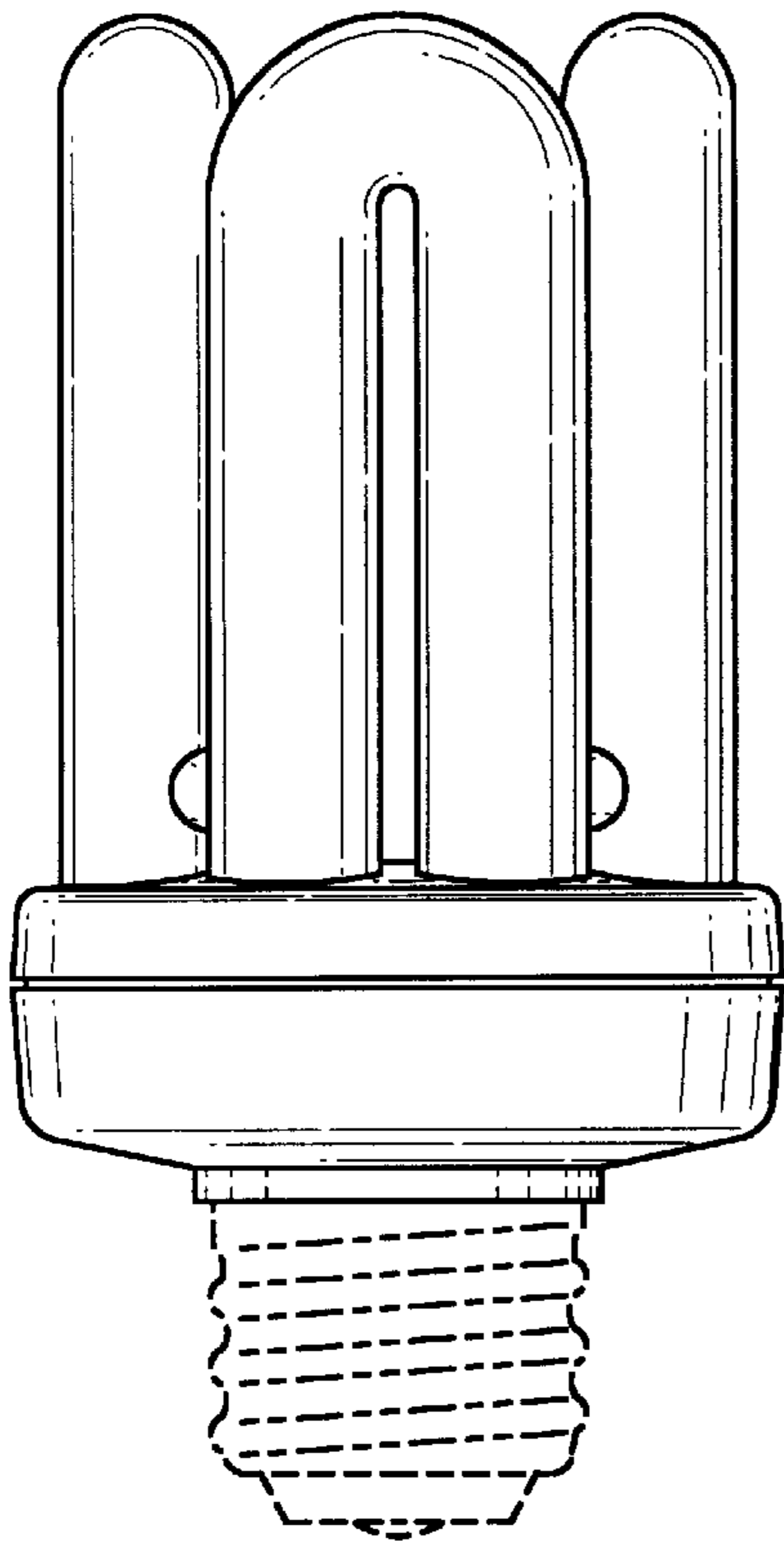


FIG. 6

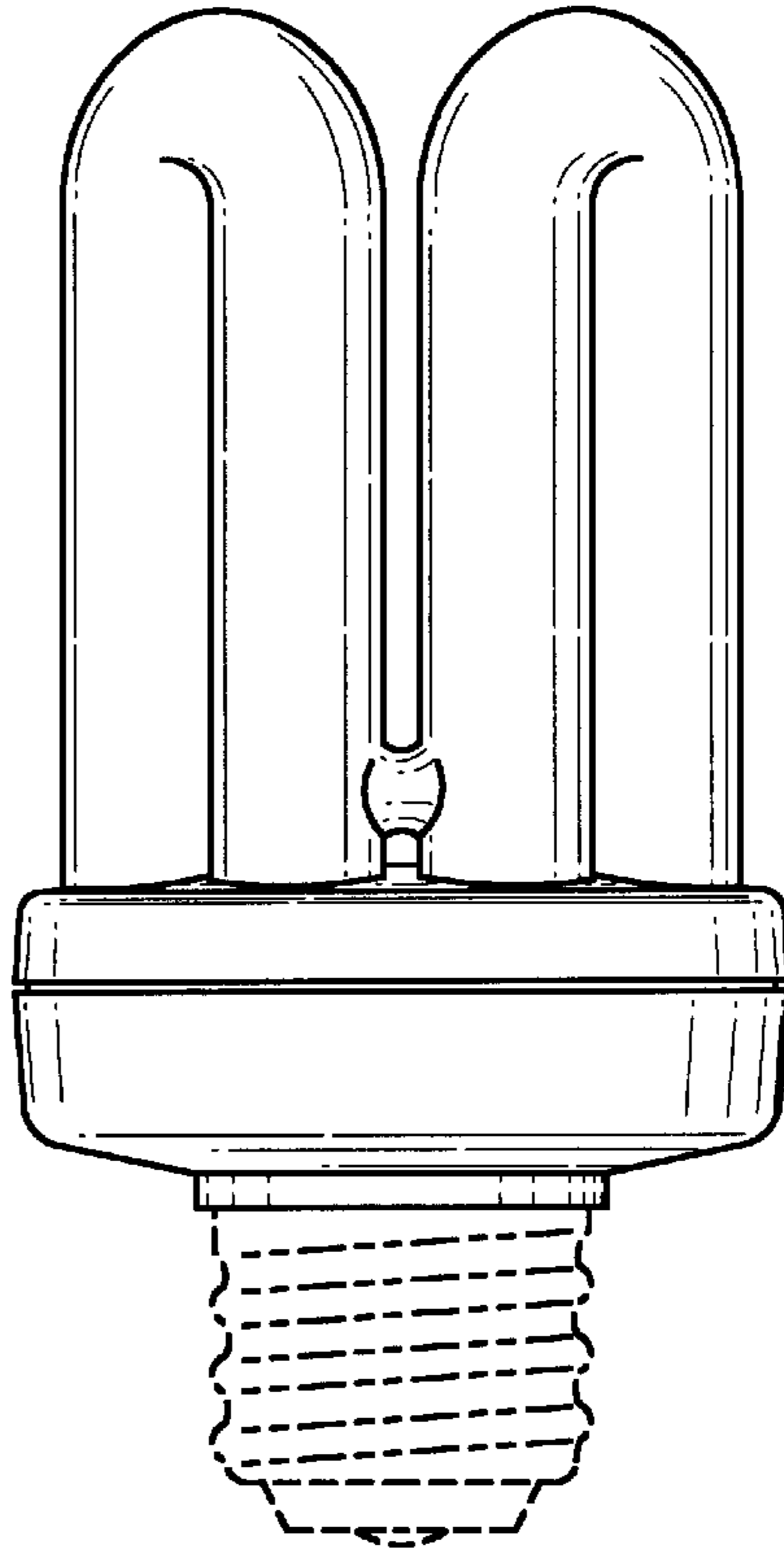


FIG. 7