



US00D426320S

United States Patent [19]

Andres

[11] Patent Number: Des. 426,320

[45] Date of Patent: ** Jun. 6, 2000

[54] EXTRUDED DECK PLANK MEMBER

[75] Inventor: Thomas J. Andres, North Versailles, Pa.

[73] Assignee: Thermal Industries, Inc., Pittsburgh, Pa.

[**] Term: 14 Years

[21] Appl. No.: 29/084,511

[22] Filed: Mar. 4, 1998

[51] LOC (7) Cl. 25-01

[52] U.S. Cl. D25/138; D25/122

[58] Field of Search 52/87, 650.3, 177, 52/665; D25/122, 138; 119/525, 529, 509, 406

4,266,381	5/1981	Deller .
4,436,274	3/1984	Kramer .
4,840,824	6/1989	Davis .
4,905,431	3/1990	Davis .
4,907,387	3/1990	Turnbull .
4,947,595	8/1990	Douds et al. .
4,964,618	10/1990	Kennedy et al. .
5,009,045	4/1991	Yoder .
5,048,448	9/1991	Yoder .
5,070,664	12/1991	Groh et al. .
5,103,614	4/1992	Kawaguchi et al. .
5,553,427	9/1996	Andres .

Primary Examiner—Doris Clark
Attorney, Agent, or Firm—David V. Radack; Eckert Seamans Cherin & Mellott, LLC

[57] CLAIM

The ornamental design for an extruded deck plank member, as shown and described.

[56] References Cited

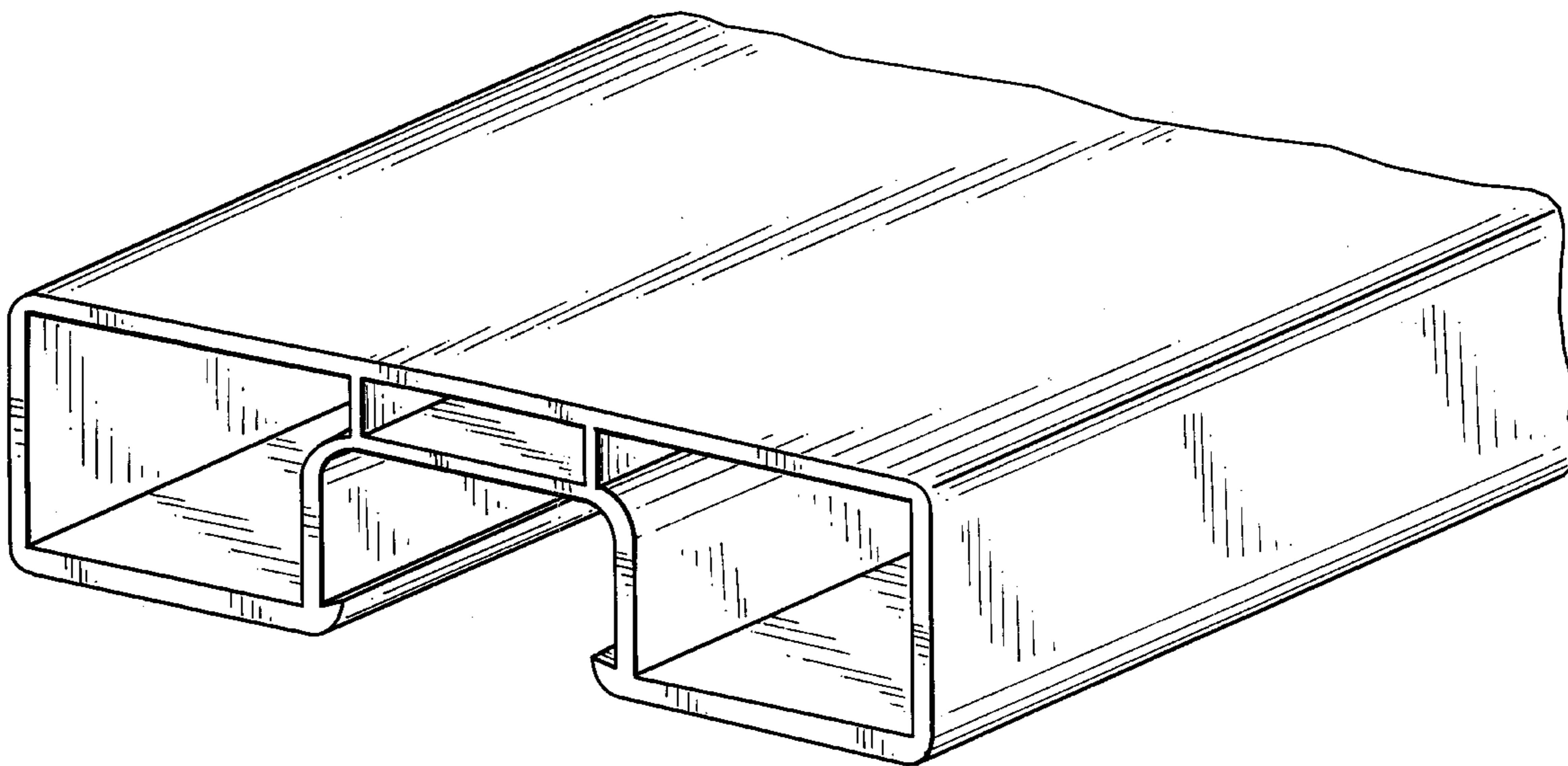
U.S. PATENT DOCUMENTS

D. 326,329	5/1992	Ballstadt	D25/122
D. 345,222	3/1994	Hallsten et al.	D25/138
3,620,027	11/1971	Nordell .		
3,815,550	6/1974	Becker .		
3,914,913	10/1975	Roberts .		
3,959,830	6/1976	van den Broek .		
4,058,942	11/1977	Naka .		
4,078,515	3/1978	Svirklys .		
4,135,339	1/1979	Pawlitschek .		

DESCRIPTION

FIG. 1 is a front perspective view of an extruded deck plank member showing my design;
FIG. 2 is a fragmentary right side elevational view thereof;
FIG. 3 is a fragmentary left side elevational view thereof;
FIG. 4 is a fragmentary top plan view thereof;
FIG. 5 is a fragmentary bottom plan thereof;
FIG. 6 is an end elevational view thereof; and,
FIG. 7 is the opposite end elevational view thereof.

1 Claim, 5 Drawing Sheets



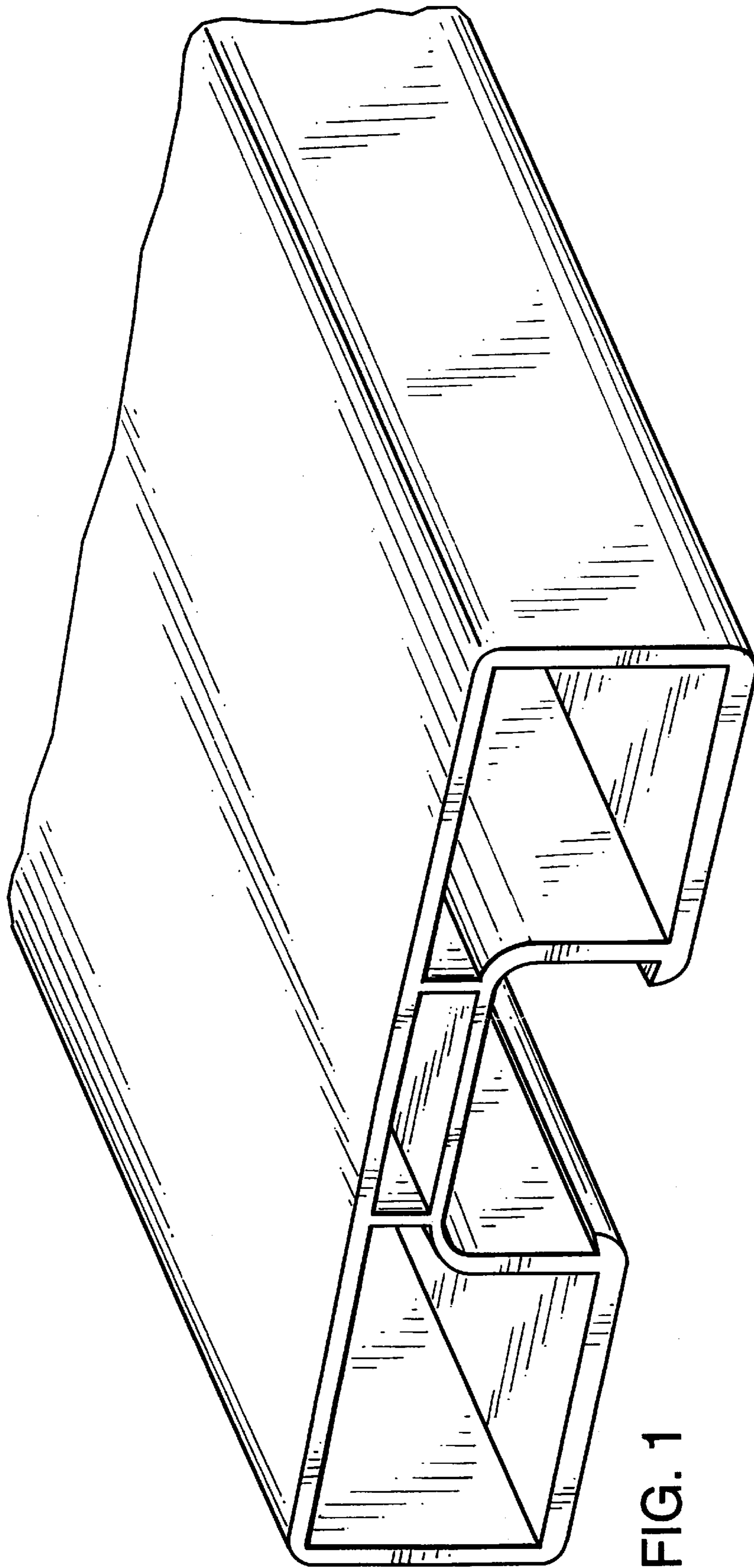


FIG. 1

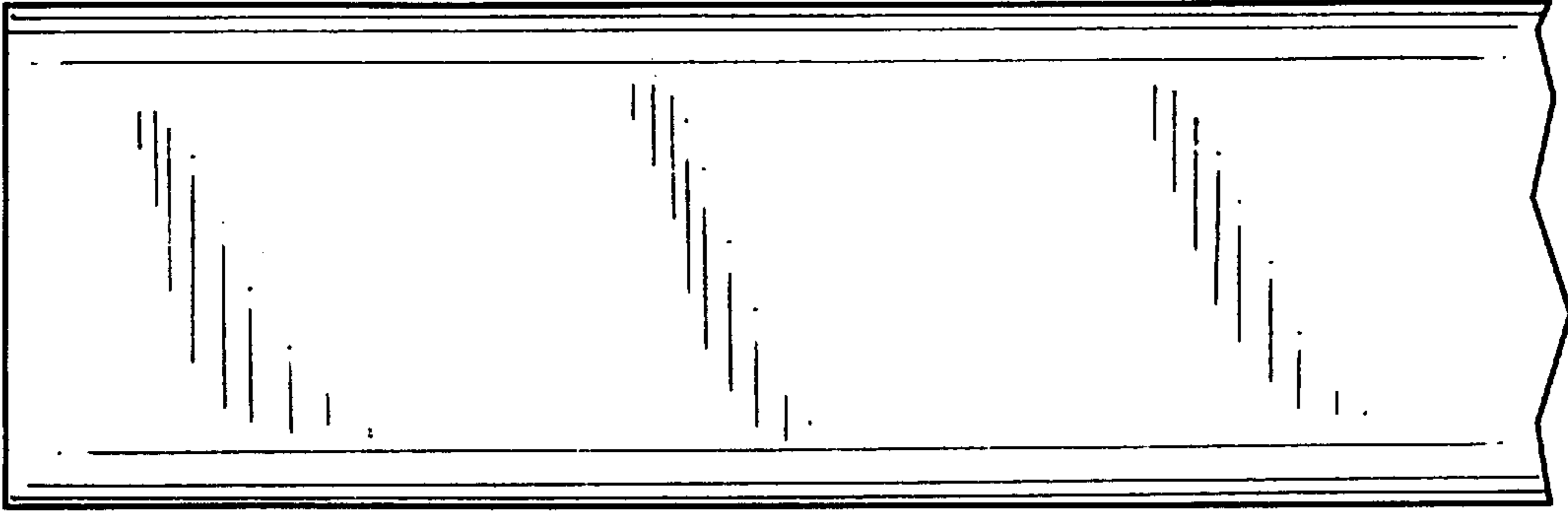


FIG. 2

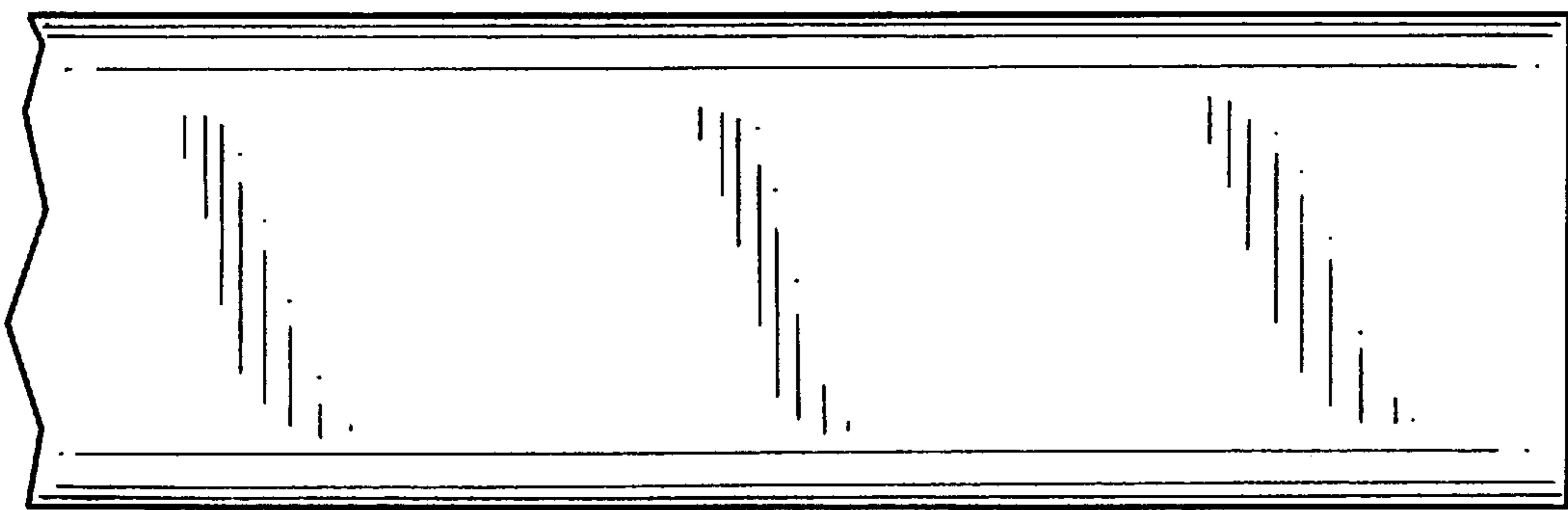


FIG. 3

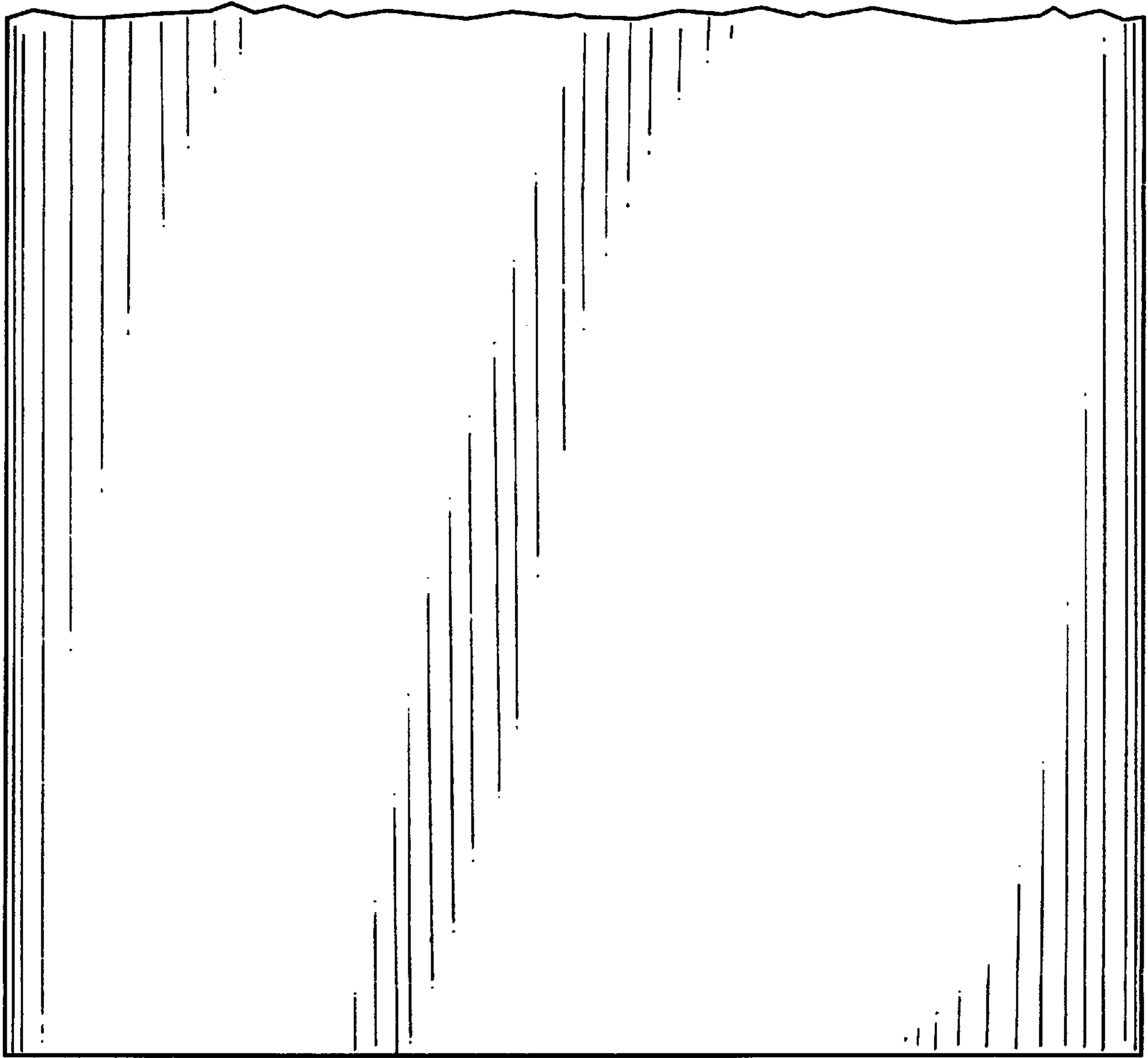


FIG. 4

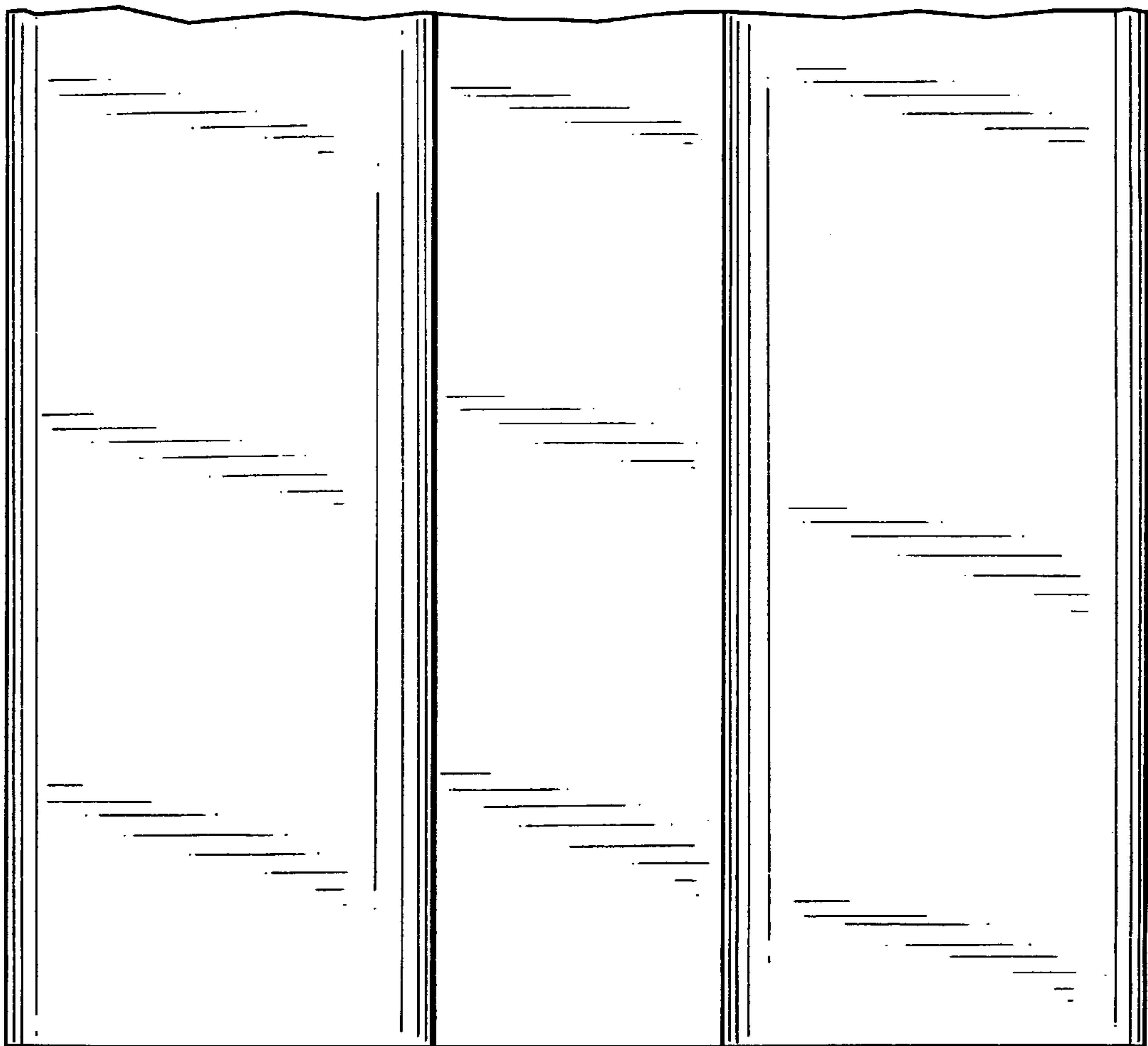


FIG. 5

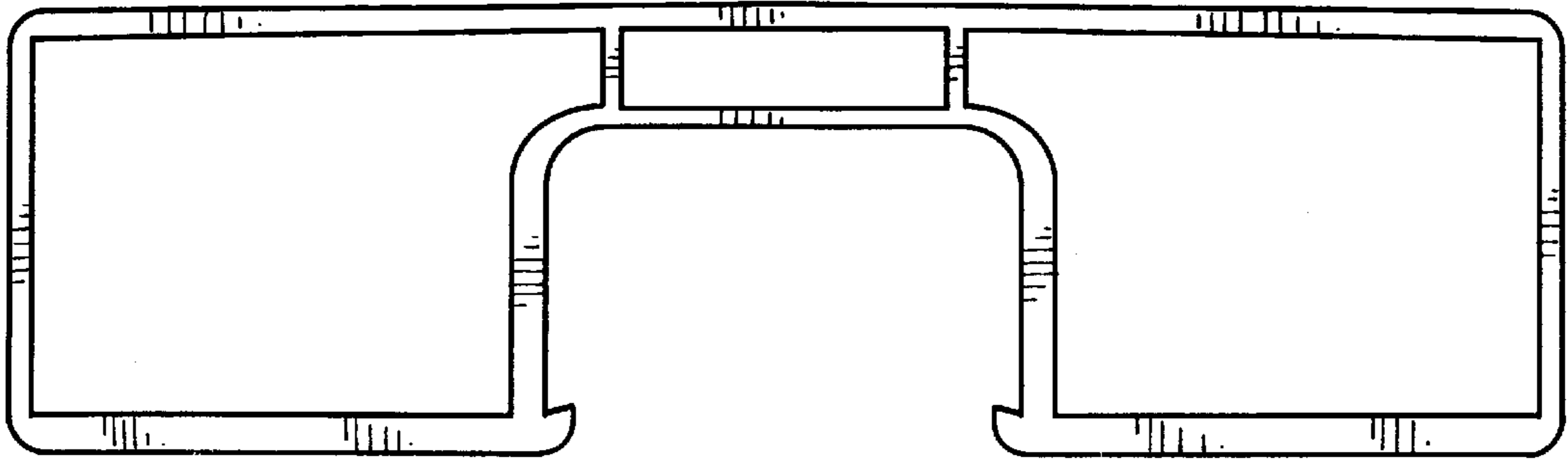


FIG. 6

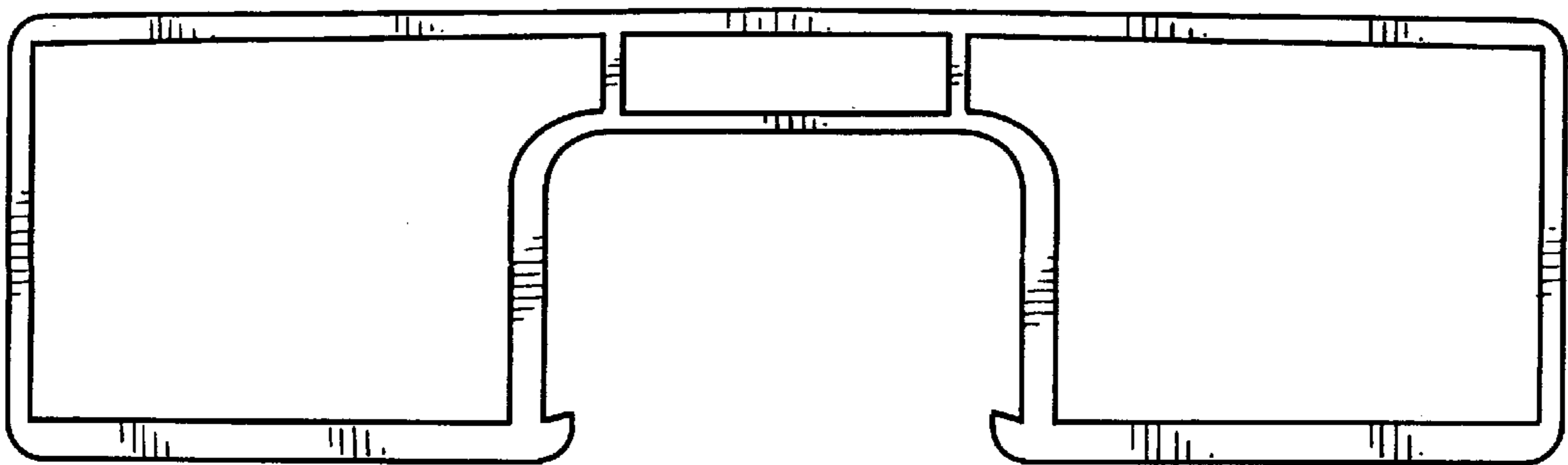


FIG. 7

UNITED STATES PATENT AND TRADEMARK OFFICE
CERTIFICATE OF CORRECTION

PATENT NO. : Des. 426,320
DATED : June 6, 2000
INVENTOR(S) : THOMAS J. ANDRES

It is certified that error appears in the above-identified patent and that said Letters Patent is hereby corrected as shown below:

On the Title Page, second column, under DESCRIPTION, line 1, "plan" should be --plank--.

Signed and Sealed this
Fifteenth Day of May, 2001



NICHOLAS P. GODICI

Attest:

Attesting Officer

Acting Director of the United States Patent and Trademark Office