



US00D426319S

United States Patent [19]

Lee

[11] **Patent Number: Des. 426,319**

[45] **Date of Patent: ** Jun. 6, 2000**

[54] **SUPPORT BASE FOR LUMINAIRE**

D. 265,133 6/1982 Black D26/70
5,848,836 12/1998 Graber et al. 362/223

[75] Inventor: **Kiem T. Lee**, Whittier, Calif.

[73] Assignee: **Architectural Area Lighting**, La Mirada, Calif.

[**] Term: **14 Years**

[21] Appl. No.: **29/092,111**

[22] Filed: **Aug. 12, 1998**

[51] **LOC (7) Cl.** **25-99**

[52] **U.S. Cl.** **D25/126**

[58] **Field of Search** D26/67-71, 75,
D26/78; 362/431, 219, 224, 225, 236, 223;
52/730, 731.8, 736, 719, 726.1, 726.3,
729, 740.4, 737.1, 737.2, 745.15, 745, 736.2

[56] **References Cited**

U.S. PATENT DOCUMENTS

D. 152,445 1/1949 Winters D26/69
D. 152,446 1/1949 Winters D26/69

OTHER PUBLICATIONS

Architectural Area Lighting Brochure—"Custom Is Standard", Prior to filing date.

Primary Examiner—Susan J. Lucas
Attorney, Agent, or Firm—Lyon & Lyon LLP

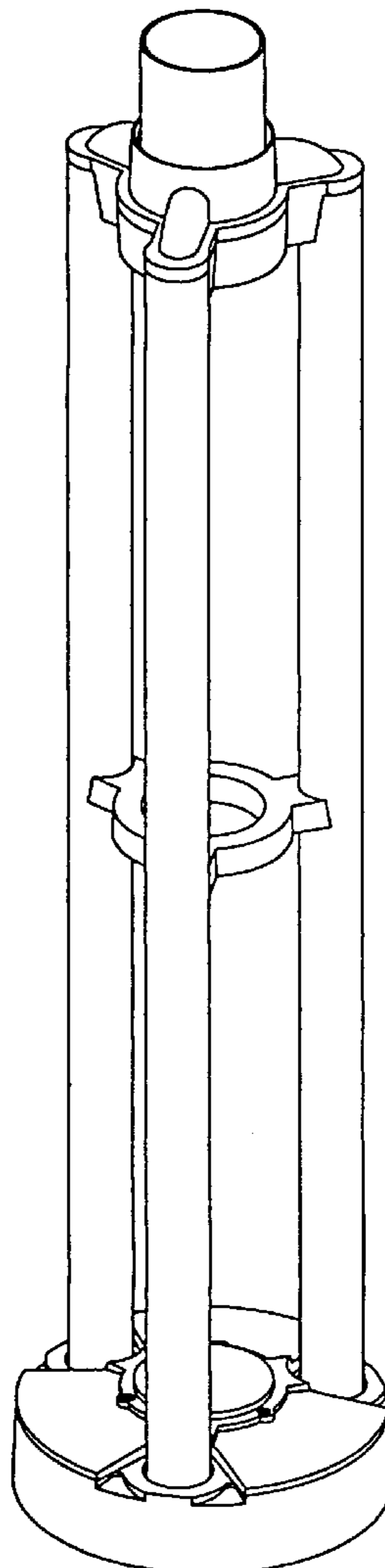
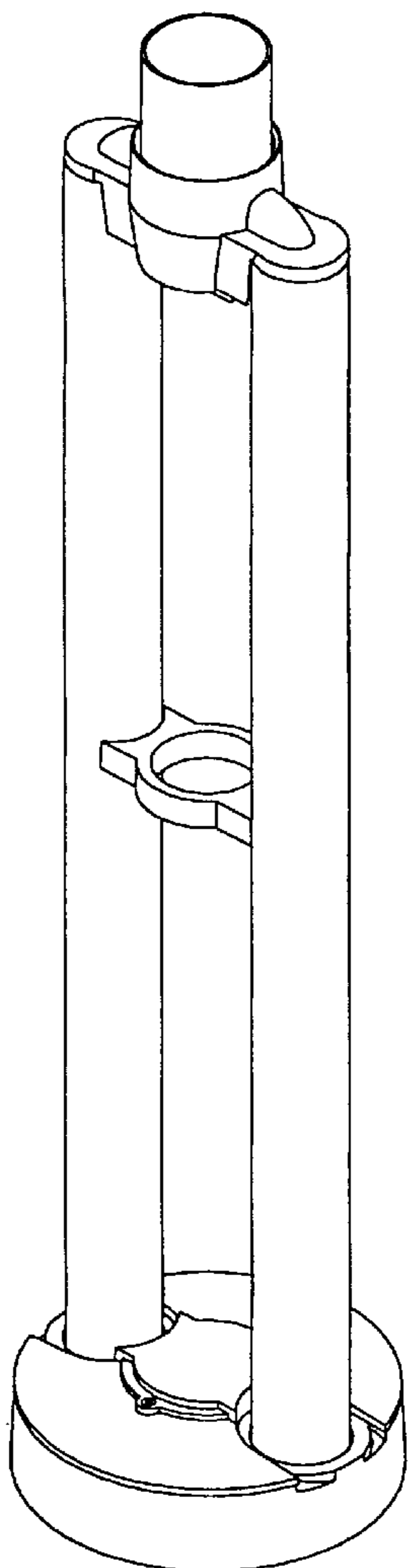
[57] **CLAIM**

The ornamental design for support base for a luminaire, as shown as described.

DESCRIPTION

FIGS. 1 through 4 illustrate a first embodiment of the support base for luminaire incorporating two poles wherein: FIG. 1 is a perspective view of the design; FIG. 2 is a rear view, FIG. 3 is a perspective view of the design; and, FIG. 4 is a view of any of the three sides (each being the same).

1 Claim, 2 Drawing Sheets



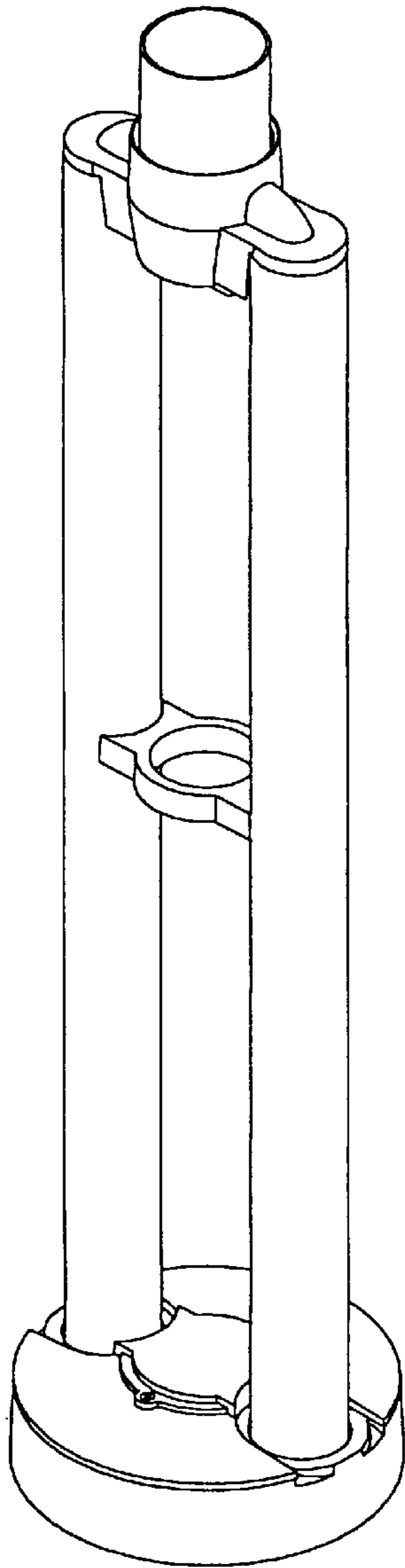


FIG. 1

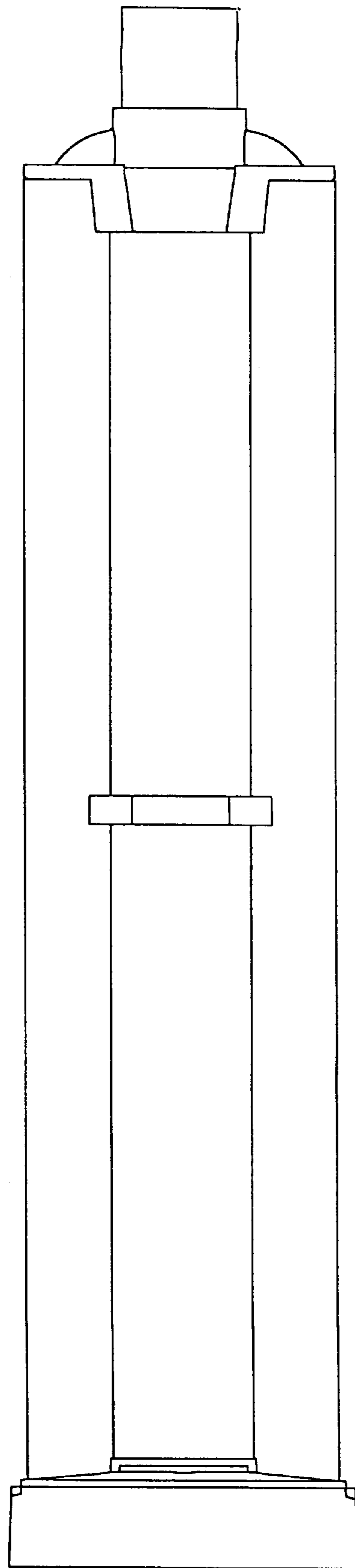


FIG. 2

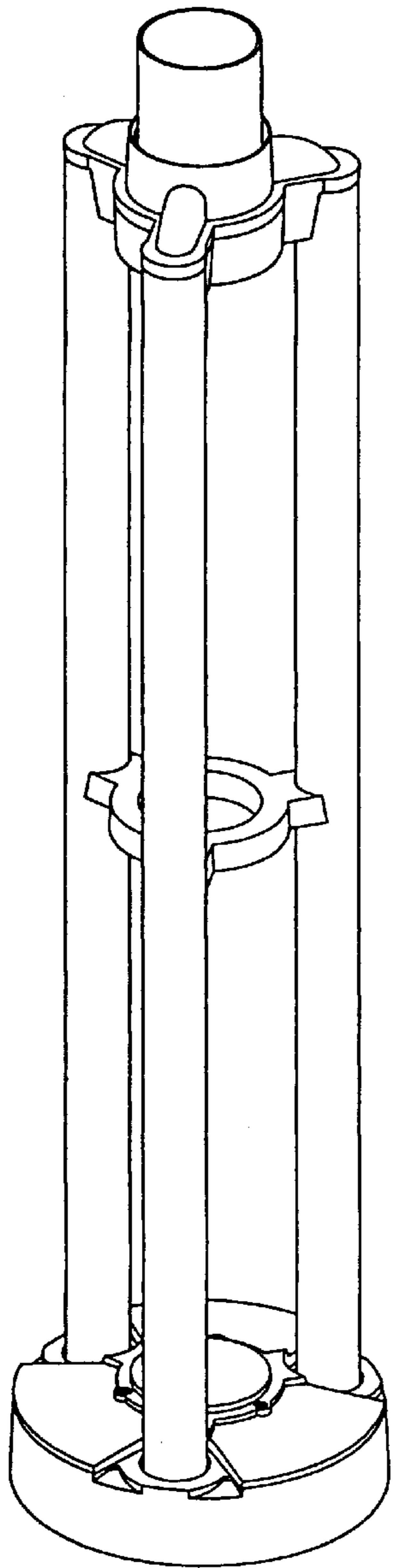


FIG. 3

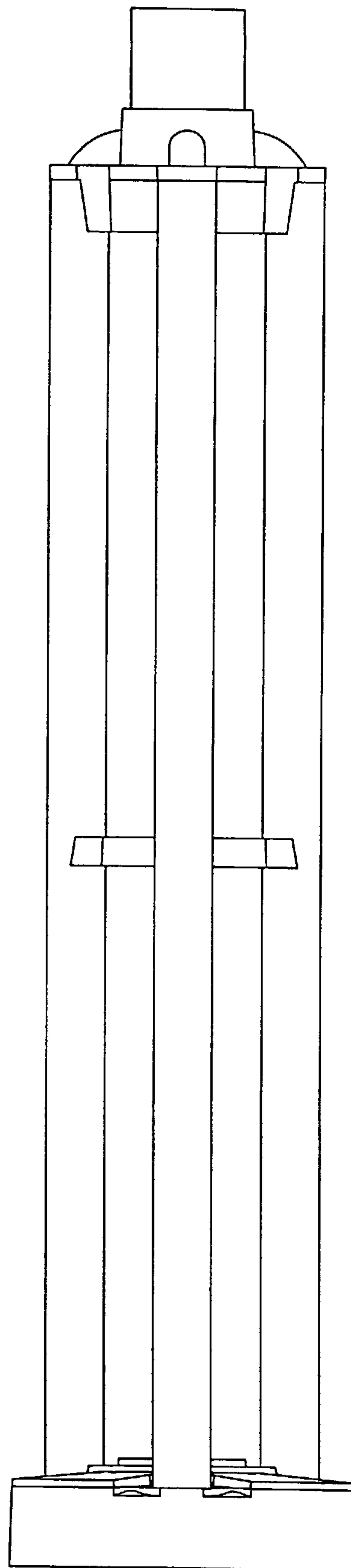


FIG. 4

UNITED STATES PATENT AND TRADEMARK OFFICE
CERTIFICATE OF CORRECTION

PATENT NO. : Des. 426,319
DATED : June 6, 2000
INVENTOR(S) : Kiem T. Lee

Page 1 of 1

It is certified that error appears in the above-identified patent and that said Letters Patent is hereby corrected as shown below:

Please amend the claim as follows: --- The ornamental design for a pole luminaire as shown and described --.

Signed and Sealed this

Tenth Day of July, 2001

Nicholas P. Godici

Attest:

Attesting Officer

NICHOLAS P. GODICI

Acting Director of the United States Patent and Trademark Office