



US00D426314S

United States Patent [19]
Girard et al.

[11] **Patent Number: Des. 426,314**
[45] **Date of Patent: ** Jun. 6, 2000**

[54] **DRUM STORAGE CONTAINER**

[75] Inventors: **Alan Michael Girard**, Brunswick;
Douglas M. Horner, Gates Mills, both
of Ohio

[73] Assignee: **Polymer & Steel Technologies, Inc.**,
Eastlake, Ohio

[**] Term: **14 Years**

[21] Appl. No.: **29/108,172**

[22] Filed: **Jul. 21, 1999**

[51] **LOC (7) Cl.** **25-03**

[52] **U.S. Cl.** **D25/33**

[58] **Field of Search** D25/13, 19, 31,
D25/33; 52/80, 80.2, 81.1, 82, 79.1, 83

[56] **References Cited**

U.S. PATENT DOCUMENTS

- D. 228,906 10/1973 Terlesky D25/19
- D. 340,531 10/1993 Starkey D25/33

Primary Examiner—Doris Clark
Attorney, Agent, or Firm—Pearne, Gordon, McCoy &
Granger LLP

[57] **CLAIM**

The ornamental design for a drum storage container, as shown and described.

DESCRIPTION

FIG. 1 is a front perspective view of a drum storage container, showing our new design the door shown partially raised;

FIG. 2 is a top view thereof;

FIG. 3 is a rear elevational view thereof;

FIG. 4 is a left side elevational view, the right side elevational view being a mirror image thereof; and,

FIG. 5 is a front perspective view showing the interior of the drum storage container according to our new design the door shown fully raised.

The broken lines are for illustrative purposes only and form no part of the claimed design.

1 Claim, 3 Drawing Sheets

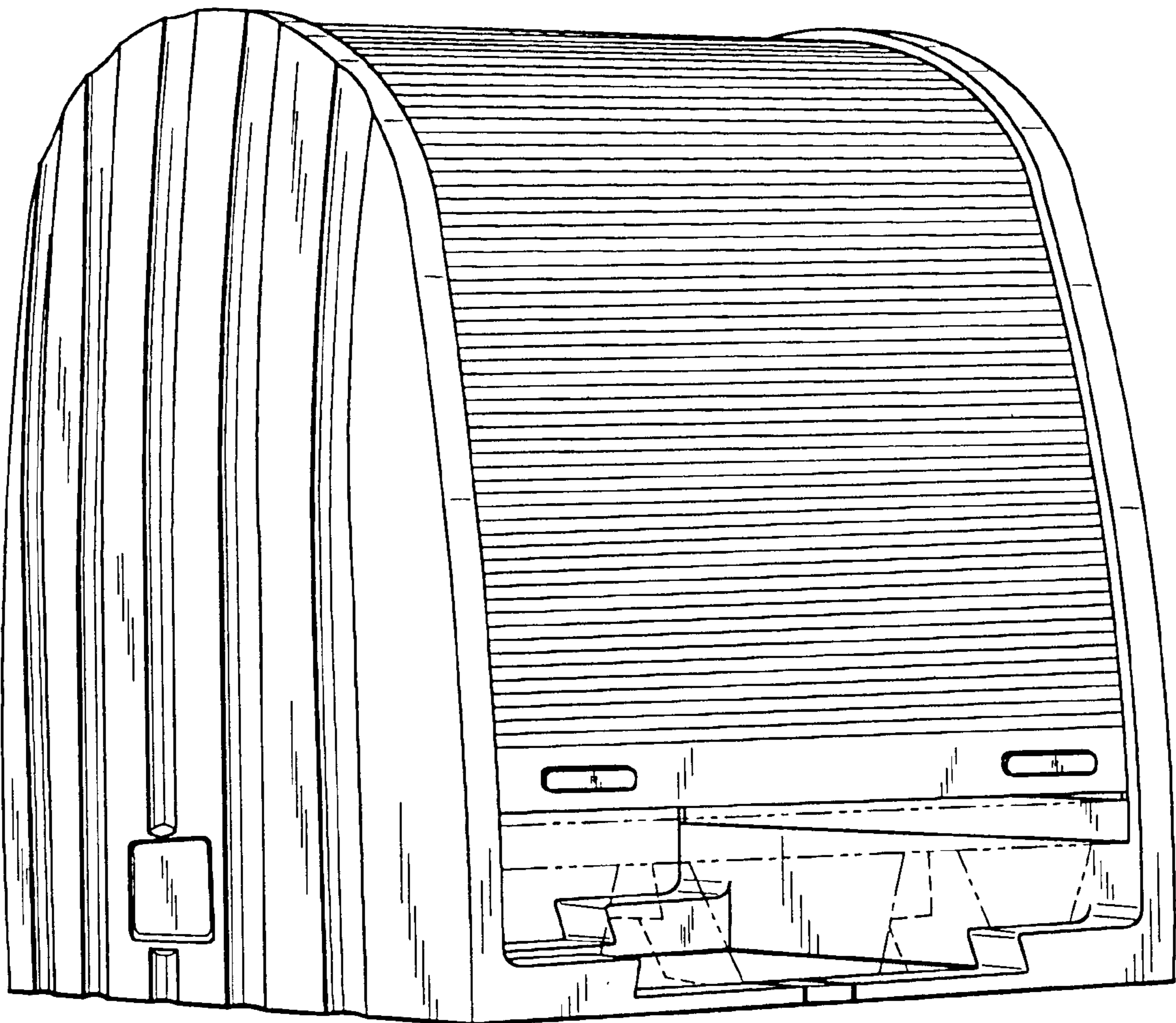


FIG. 1

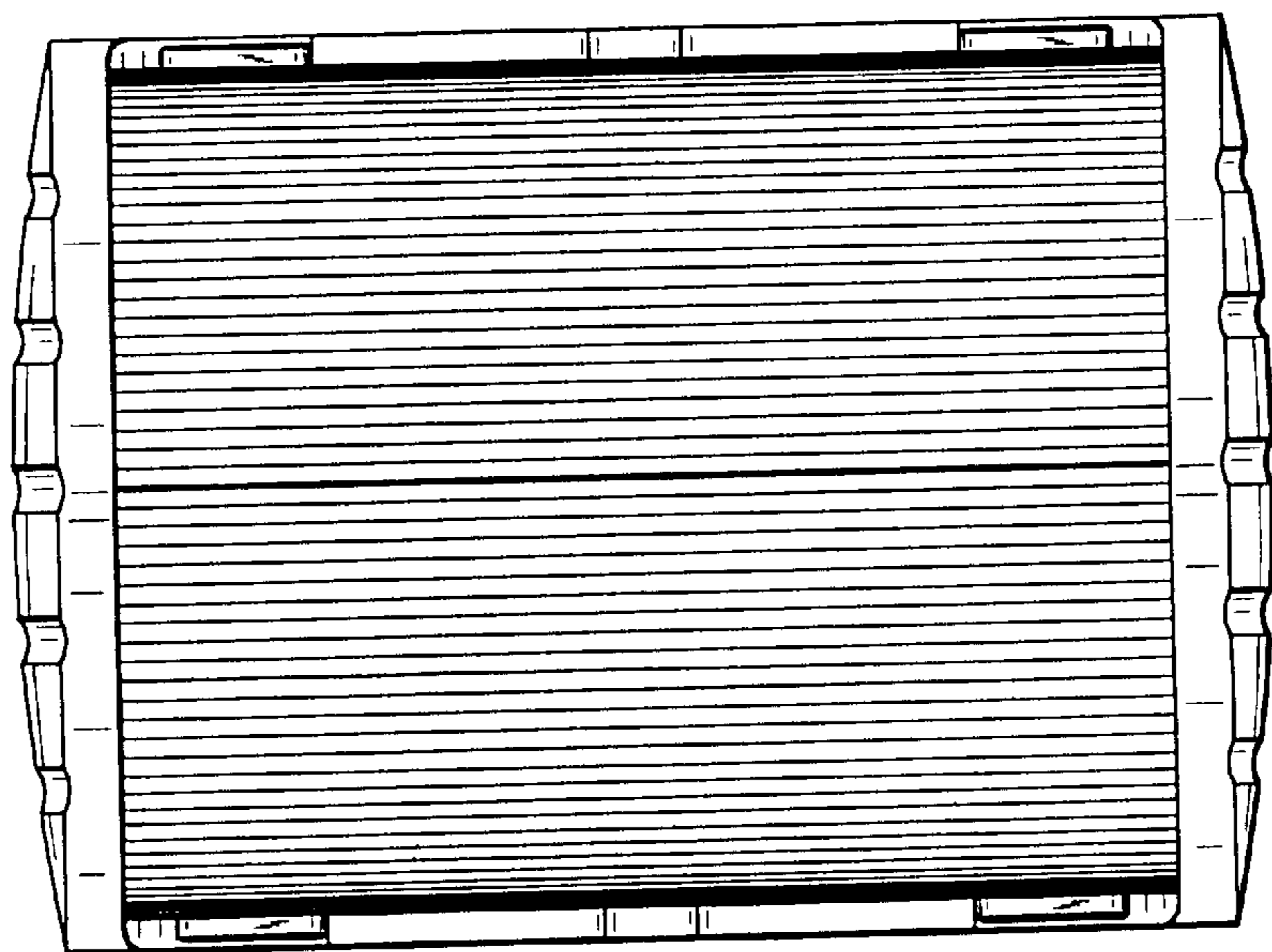
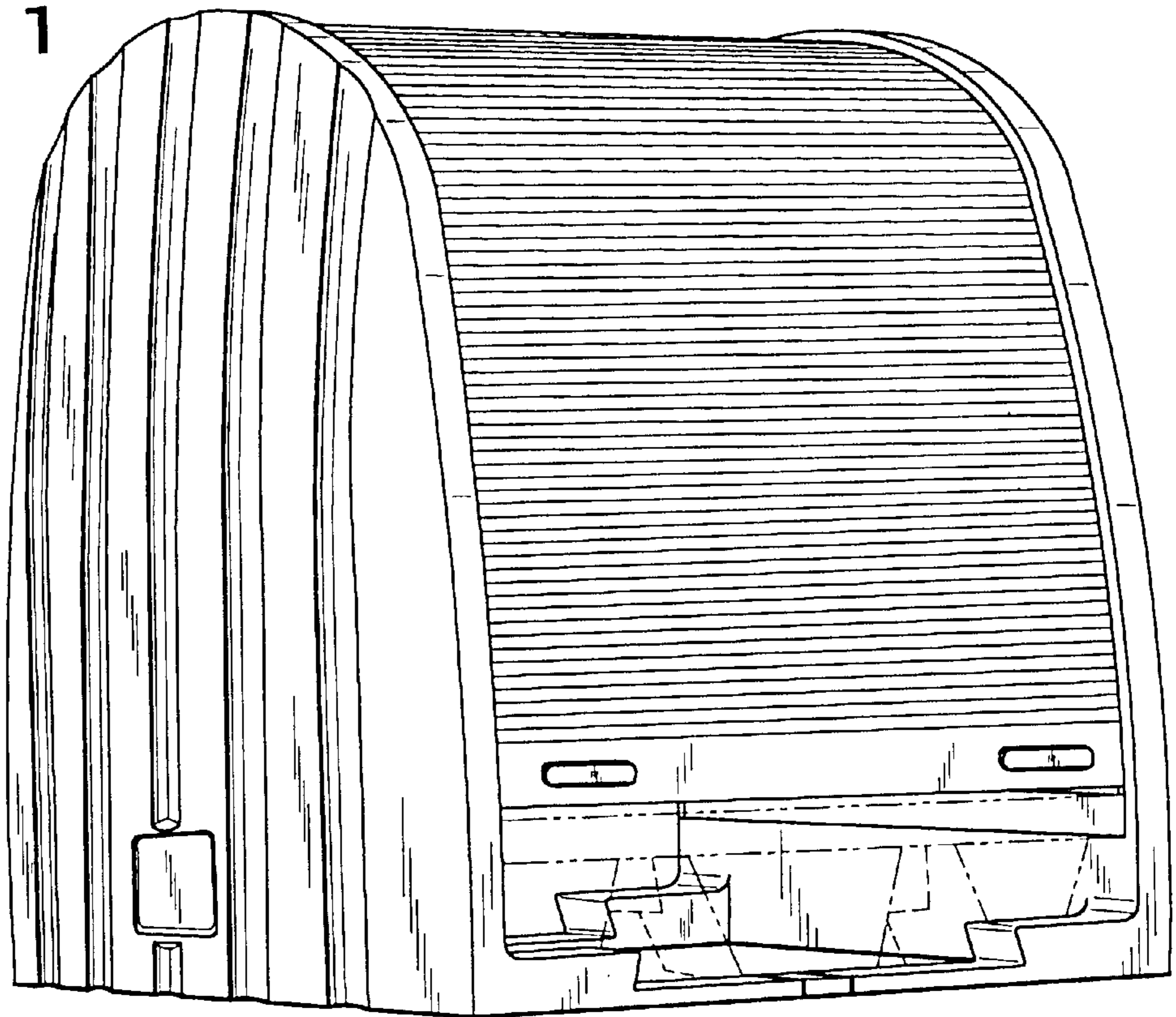


FIG. 2

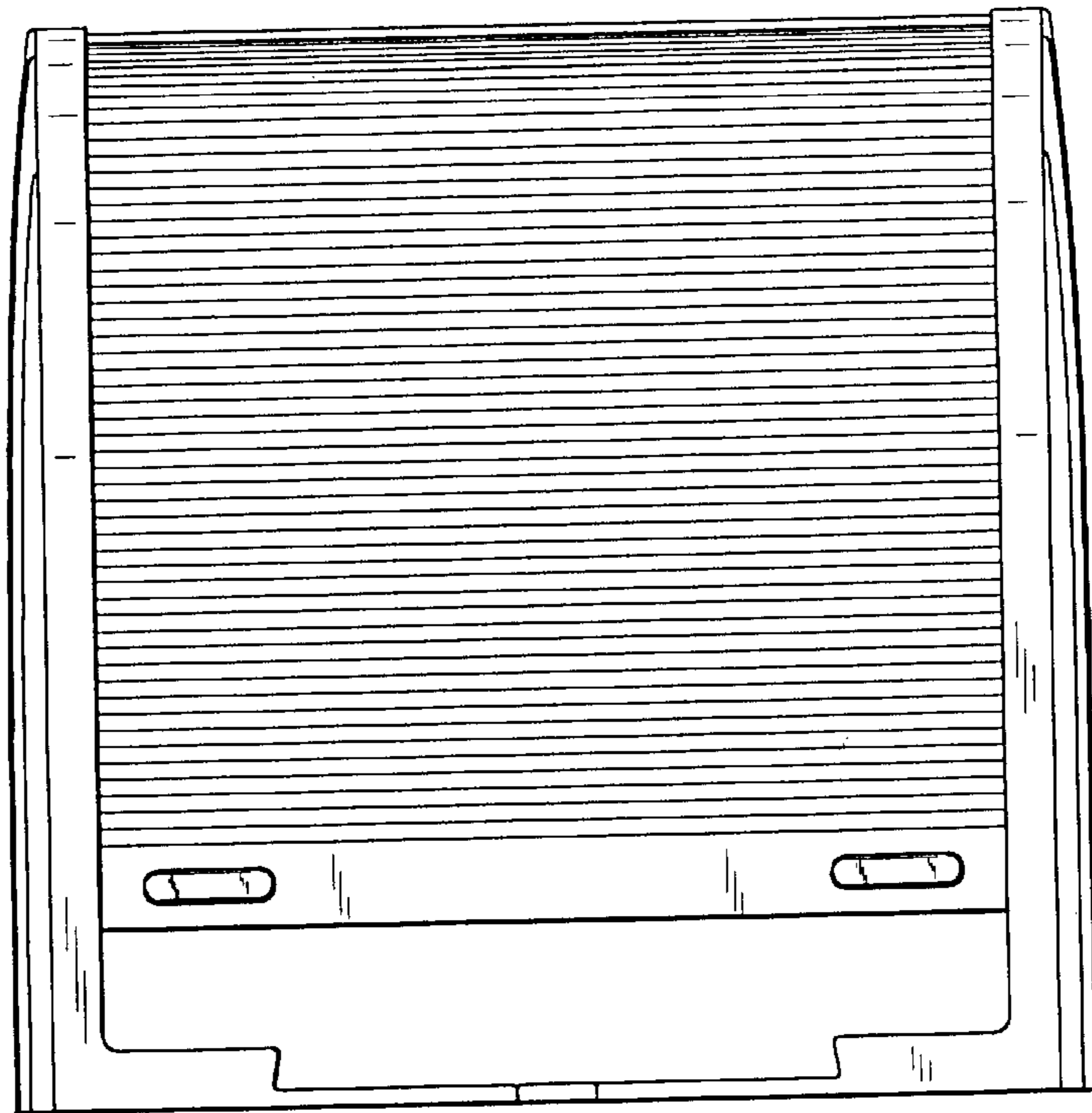


FIG. 3

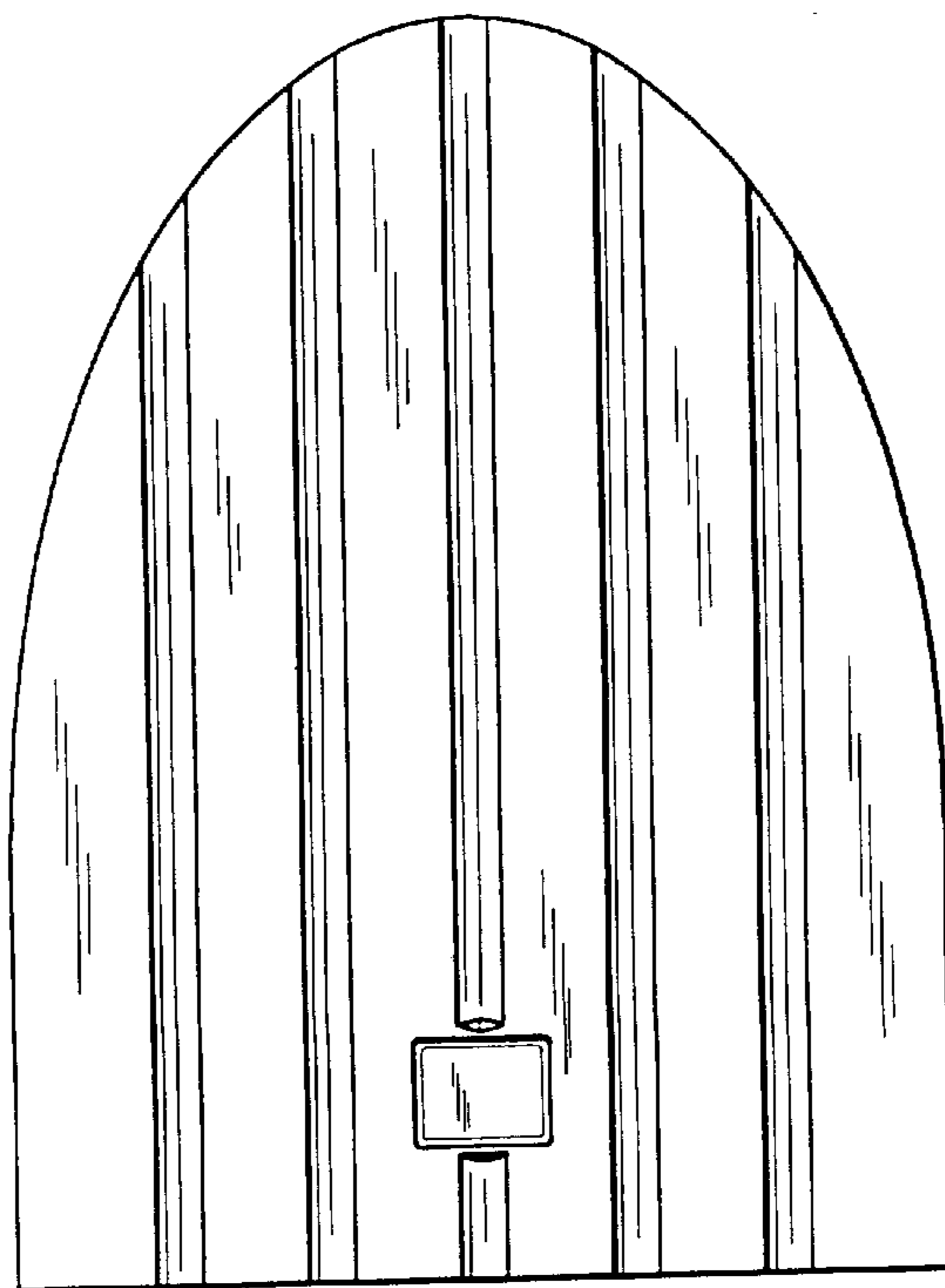


FIG. 4

FIG. 5

