



US00D426313S

United States Patent [19]

[11] **Patent Number: Des. 426,313**

Woolston et al.

[45] **Date of Patent: ** Jun. 6, 2000**

[54] **COLLECTOR PORTION FOR A MEDICAL TEST DEVICE**

[75] Inventors: **Robert Woolston, Knebworth; Bernard Sams, London, both of United Kingdom**

[73] Assignee: **Cortecs (UK) Limited, Middlesex, United Kingdom**

[**] Term: **14 Years**

D. 379,662	6/1997	Pearson et al. .
D. 379,663	6/1997	Pearson et al. .
D. 394,317	5/1998	Carp .
3,252,331	5/1966	Lancaster .
4,116,637	9/1978	Kitahara .
4,522,923	6/1985	Deutsch et al. .
4,857,453	8/1989	Ullman et al. .
5,204,063	4/1993	Allen .
5,339,829	8/1994	Thieme et al. .
5,397,537	3/1995	Kanda et al. 422/56

[21] Appl. No.: **29/103,067**

[22] Filed: **Apr. 7, 1999**

Related U.S. Application Data

[62] Division of application No. 29/068,360, Apr. 7, 1997, Pat. No. Des. 412,990.

[30] Foreign Application Priority Data

Oct. 7, 1996	[GB]	United Kingdom	2059870
Oct. 7, 1996	[GB]	United Kingdom	2059871
Oct. 7, 1996	[GB]	United Kingdom	2059872

[51] **LOC (7) Cl.** **28-03**

[52] **U.S. Cl.** **D24/223**

[58] **Field of Search** D24/223, 216, D24/108, 112, 169, 232, 231; 435/7.1, 7.9, 7.92, 287.2, 287.1; 436/536; 422/57, 58, 56

[56] References Cited

U.S. PATENT DOCUMENTS

D. 342,575	12/1993	Ashihara et al. .	
D. 350,195	8/1994	Poulsen D24/113

FOREIGN PATENT DOCUMENTS

0 366 241	5/1990	European Pat. Off. .
0 635 710	1/1995	European Pat. Off. .
94 22011	9/1994	WIPO .
97 18036	5/1997	WIPO .

Primary Examiner—Stella Reid
Assistant Examiner—I Simmons
Attorney, Agent, or Firm—Pennie & Edmonds LLP

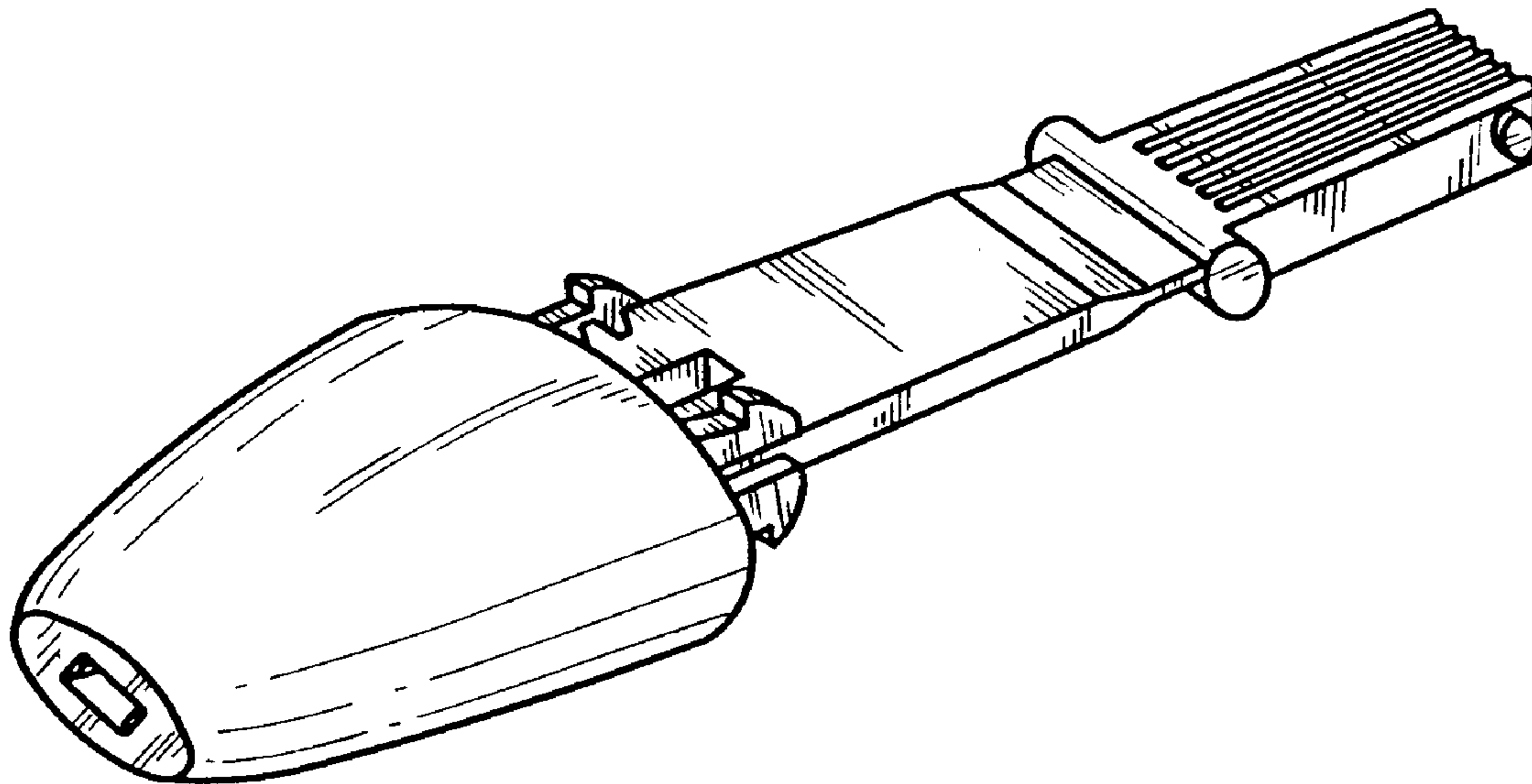
[57] CLAIM

The ornamental design for a collector portion for a medical testing device, as shown and described.

DESCRIPTION

FIG. 1 is a top perspective view of a collector portion for a medical test device;
FIG. 2 is a top view of the collector of FIG. 1 with the bottom view being the same as the top view;
FIG. 3 is a side elevational view thereof, the opposite side elevational view being a mirror image;
FIG. 4 is a front end view of the collector portion of FIG. 1; and,
FIG. 5 is a rear end view of the collector portion of FIG. 1.

1 Claim, 1 Drawing Sheet



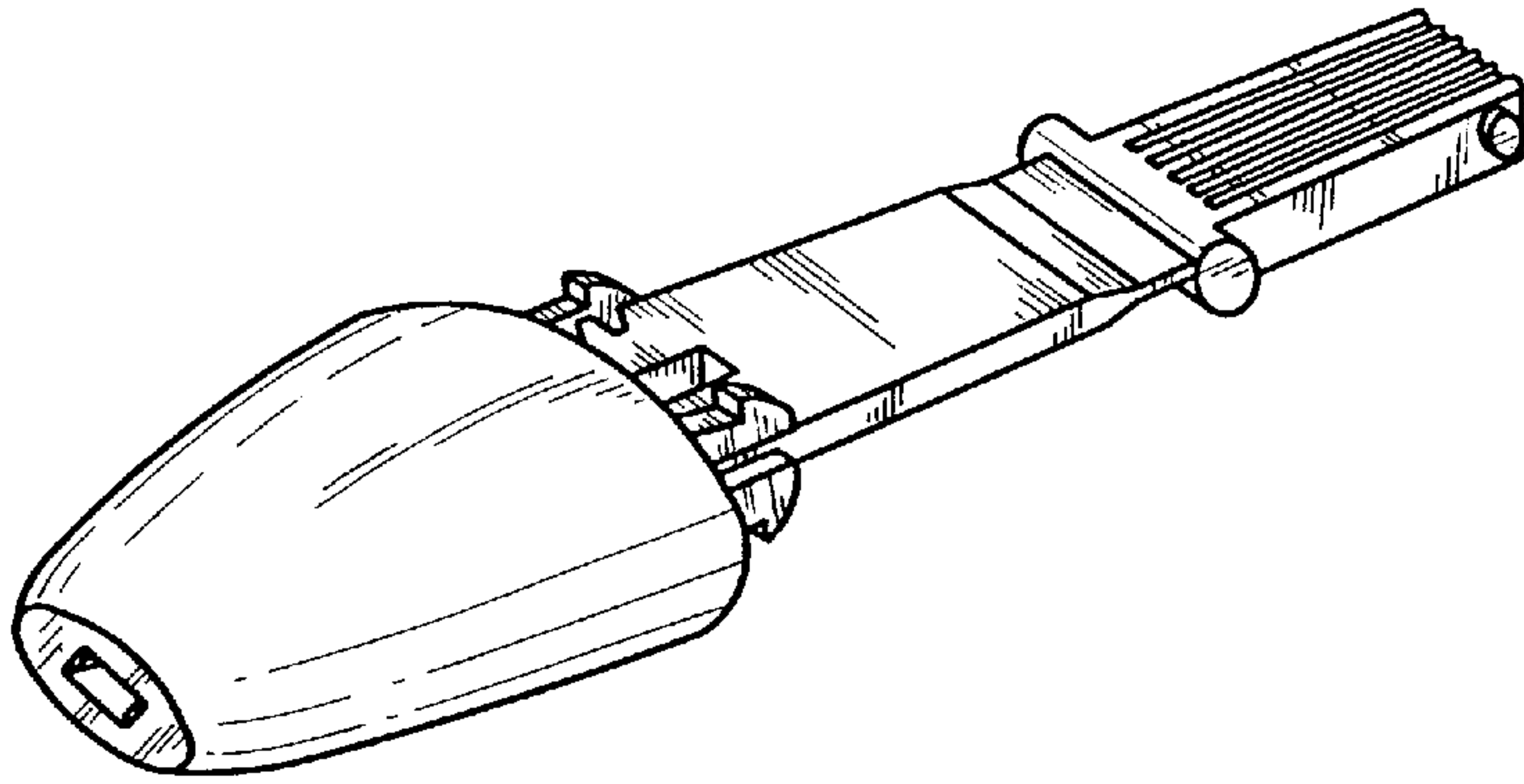


FIG. 1

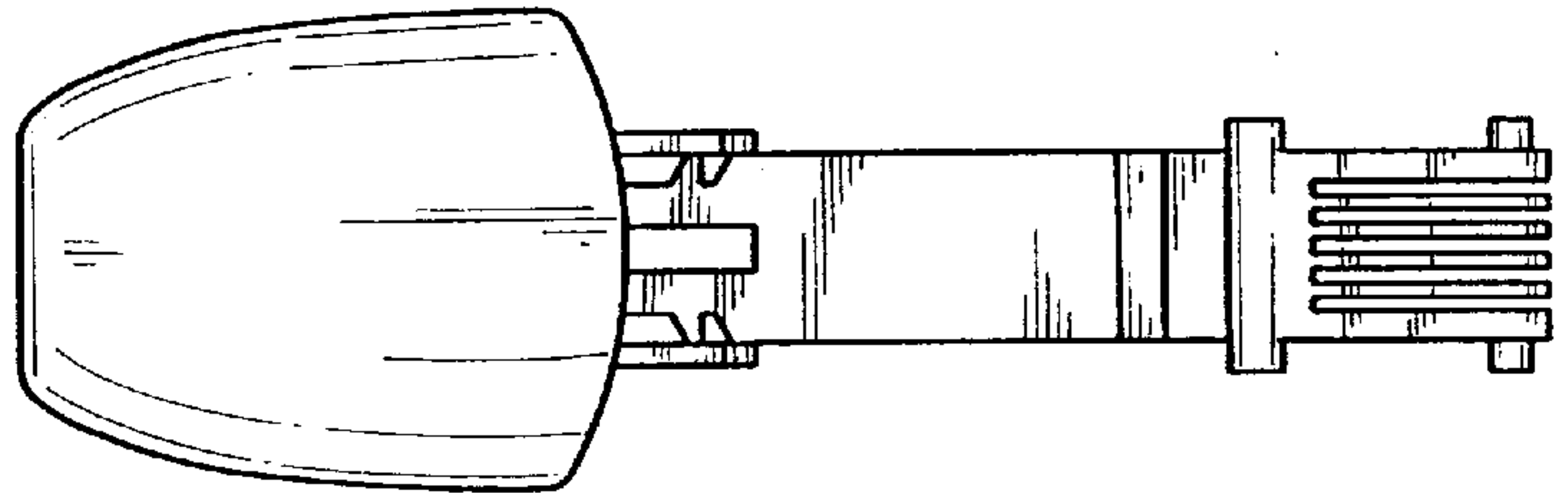


FIG. 2

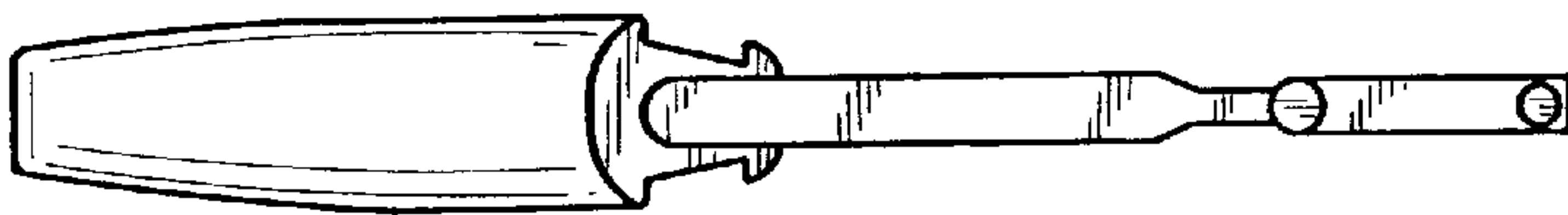


FIG. 3



FIG. 4

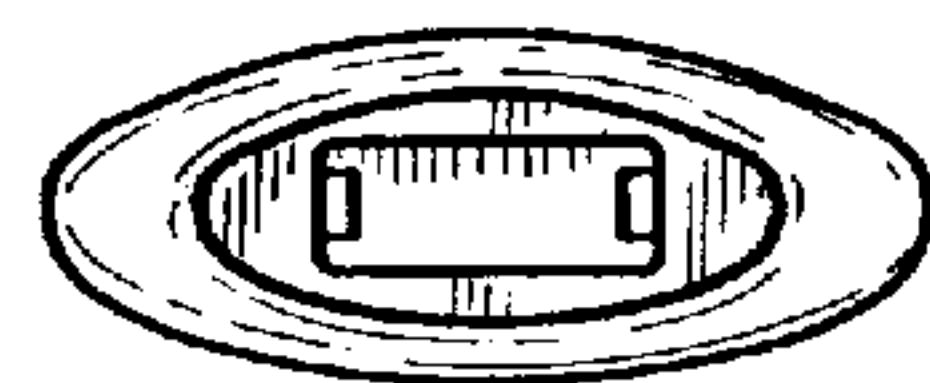


FIG. 5