



US00D426312S

United States Patent [19]
Gomes

[11] **Patent Number: Des. 426,312**
[45] **Date of Patent: ** Jun. 6, 2000**

[54] **MAGNETIC STIRRER**
[76] Inventor: **Francis Gomes**, 33 Romaine Ave.,
Jersey City, N.J. 07306
[**] Term: **14 Years**
[21] Appl. No.: **29/099,441**
[22] Filed: **Jan. 21, 1999**
[51] **LOC (7) Cl.** **24-01**
[52] **U.S. Cl.** **D24/220**
[58] **Field of Search** D24/220, 216;
336/145, 144, 146, 147, 273; 422/99; D7/376

5,547,280 8/1996 Wanninger et al. 366/274
5,593,609 1/1997 Fletcher .

OTHER PUBLICATIONS

Bel-Art Products Catalog Copyright 1998 pp. 200, 201, 419,
420, 421.

Primary Examiner—Stella Reid
Assistant Examiner—I Simmons
Attorney, Agent, or Firm—Lawrence G. Fridman

[57] **CLAIM**

The ornamental design for magnetic stirrer, as shown and
described.

DESCRIPTION

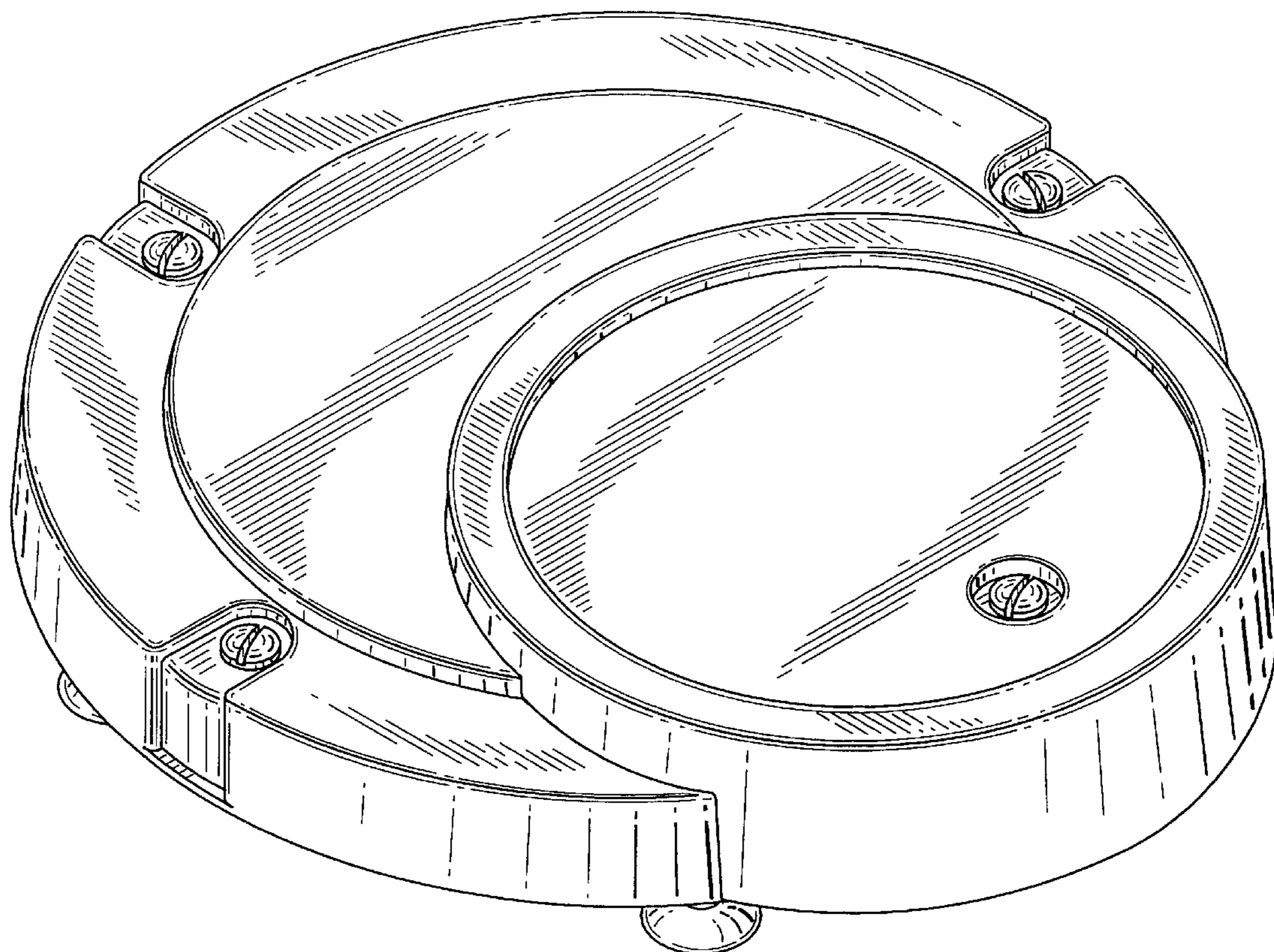
FIG. 1 is a perspective view of a magnetic stirrer of the
invention;
FIG. 2 is a top plan view thereof;
FIG. 3 is a bottom plan view thereof;
FIG. 4 is a right hand side elevational view thereof; (a left
hand side view is a mirror image of FIG. 4);
FIG. 5 is a front elevational view thereof;
FIG. 6 is a rear elevational view thereof; and,
FIG. 7 is a bottom plan view of a second embodiment of a
magnetic stirrer, with all undisclosed surfaces of the second
embodiment being identical to the surfaces disclosed in the
first embodiment as shown in FIGS. 1, 2 and 4-6.

[56] **References Cited**

U.S. PATENT DOCUMENTS

D. 233,244	10/1974	Quandt	D24/220
D. 272,088	1/1984	Simons	D24/220
4,286,133	8/1981	Einset et al.	.	
4,568,195	2/1986	Herz et al.	.	
4,742,202	5/1988	Campbell et al.	.	
4,904,834	2/1990	Bowen	.	
4,911,555	3/1990	Saffer et al.	.	
4,959,517	9/1990	Jump et al.	.	
5,166,486	11/1992	Komatsu et al.	.	
5,302,792	4/1994	No et al.	.	
5,345,068	9/1994	Hatano et al.	.	
5,409,312	4/1995	Fletcher	.	
5,511,879	4/1996	Fletcher	.	

1 Claim, 5 Drawing Sheets



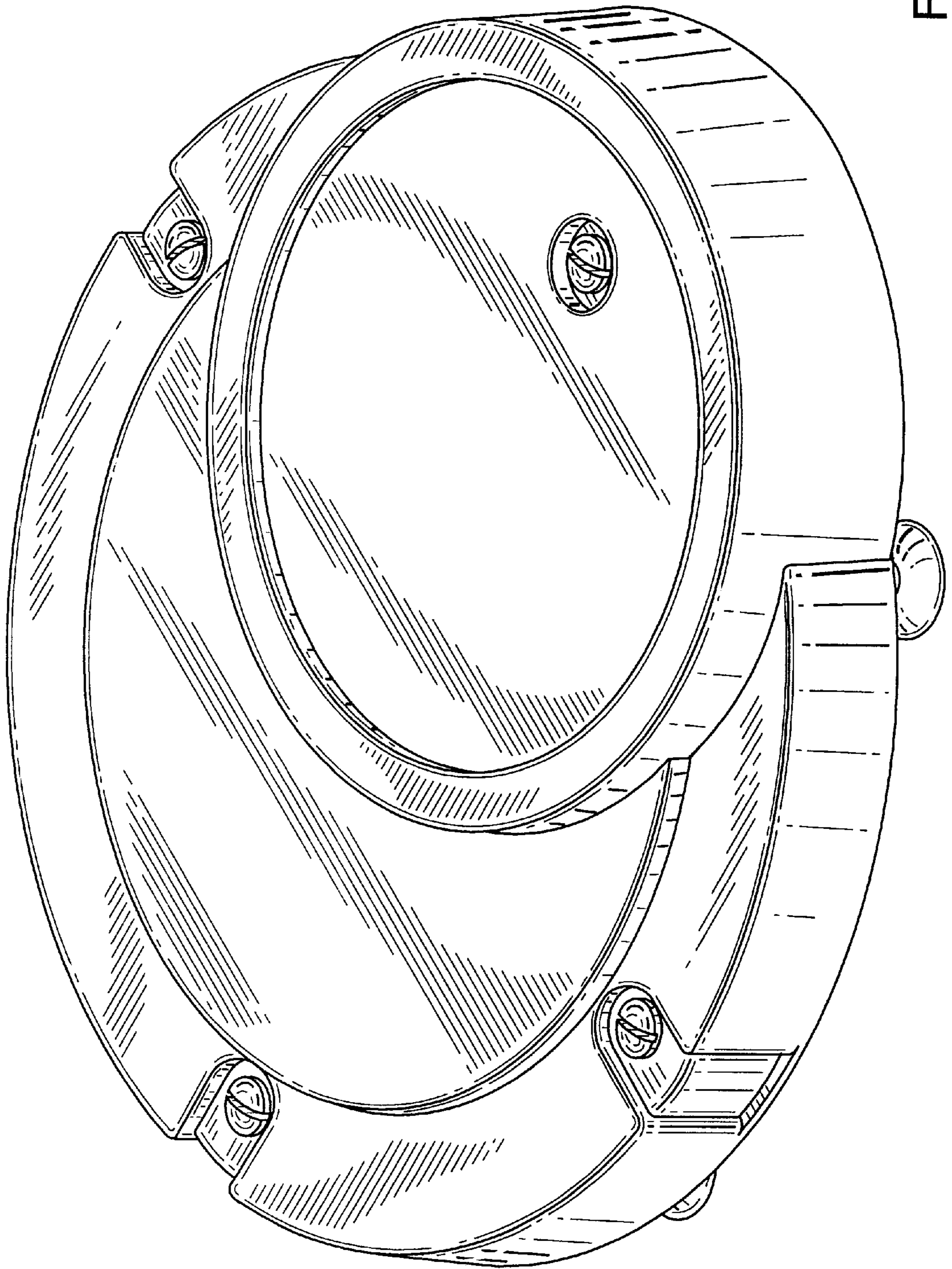


FIG. 1

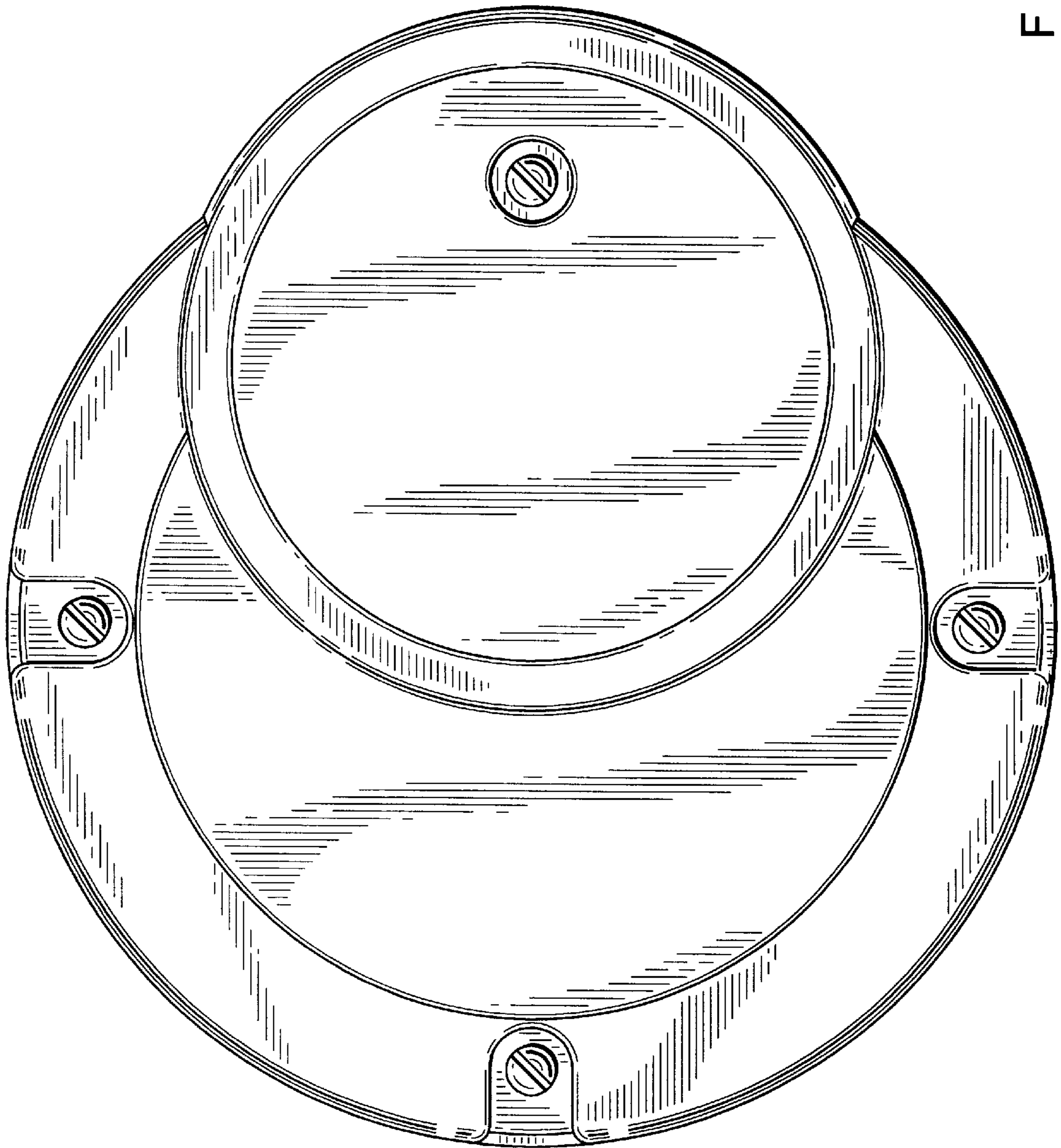


FIG. 2

FIG. 3

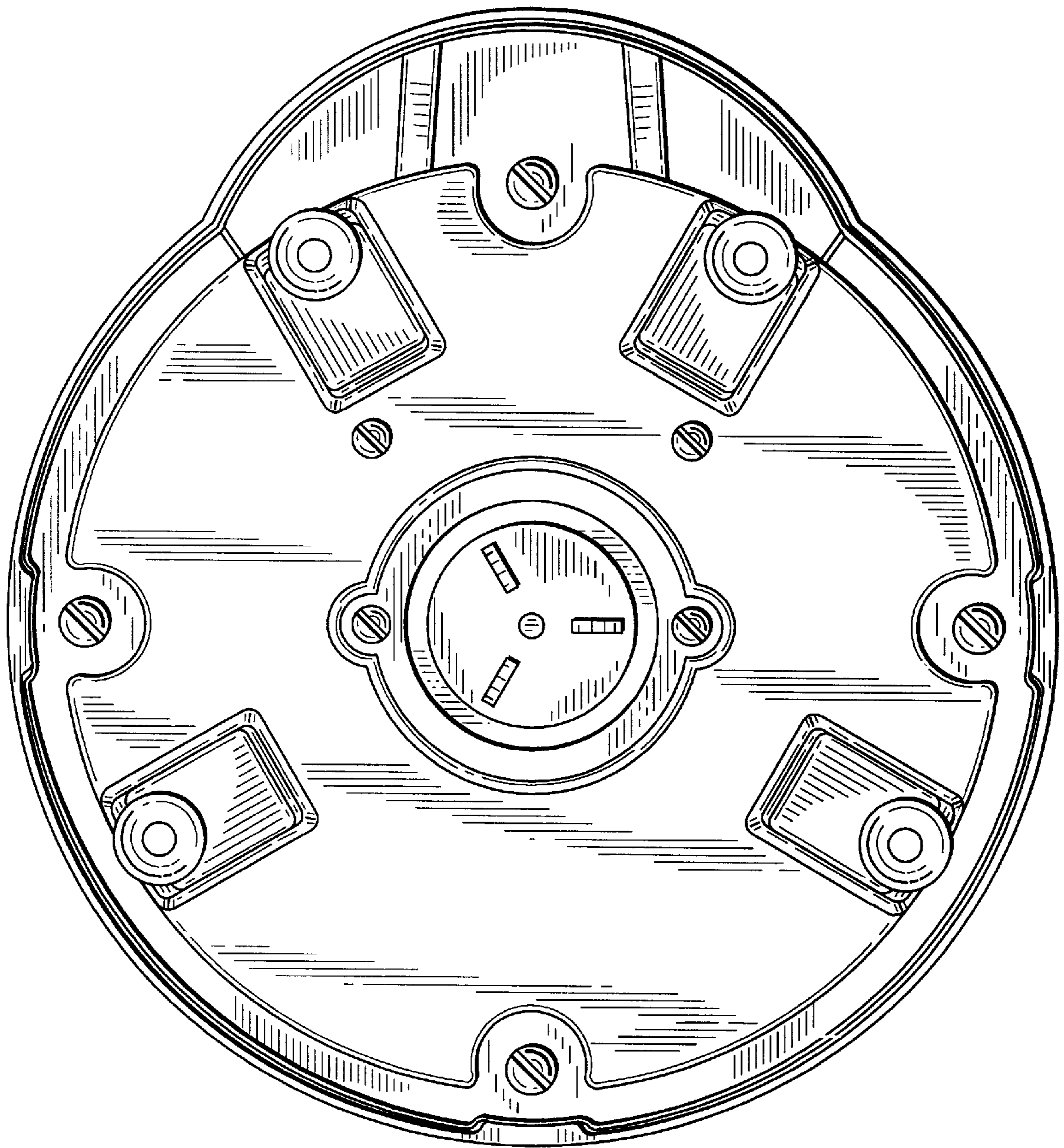


FIG. 4

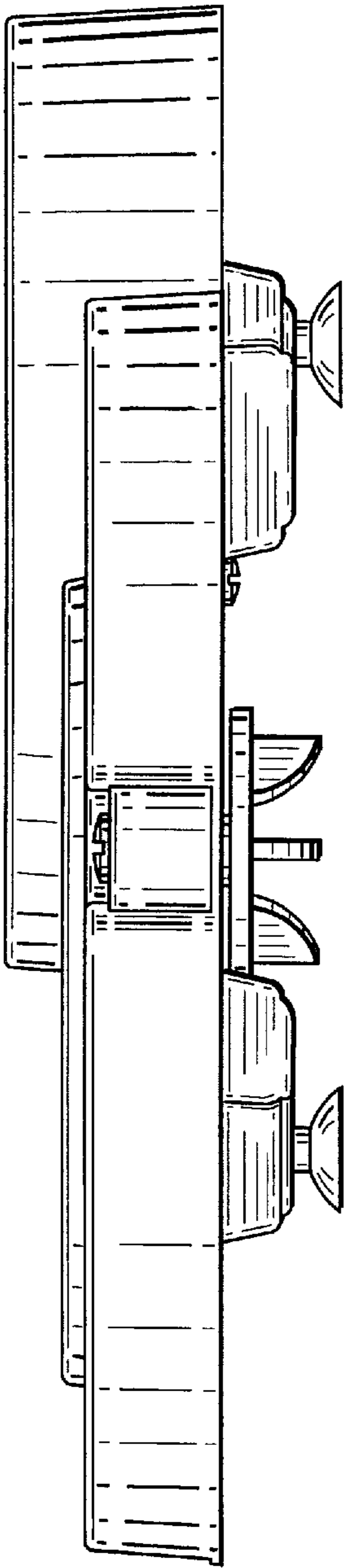


FIG. 5

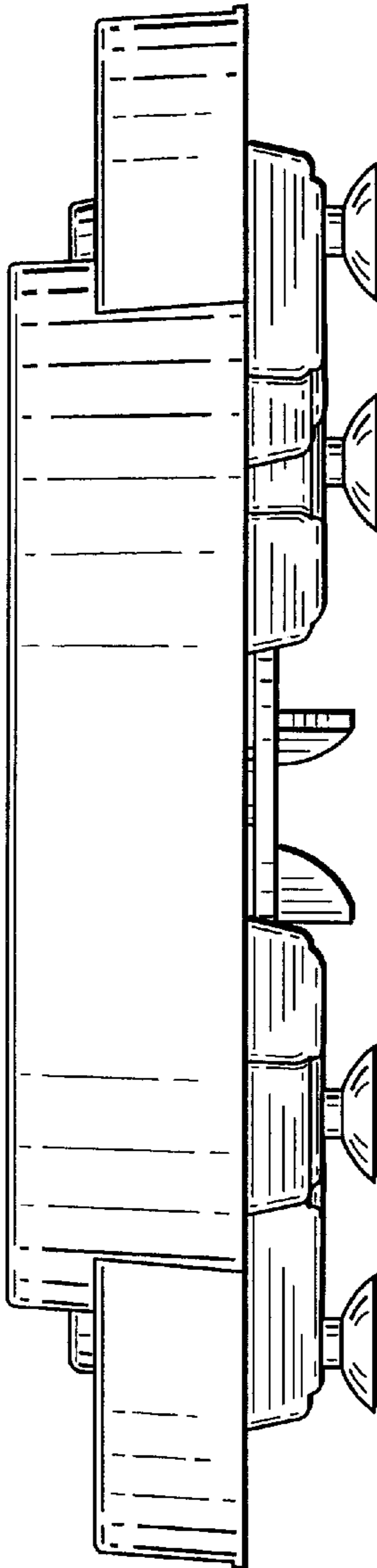


FIG. 6

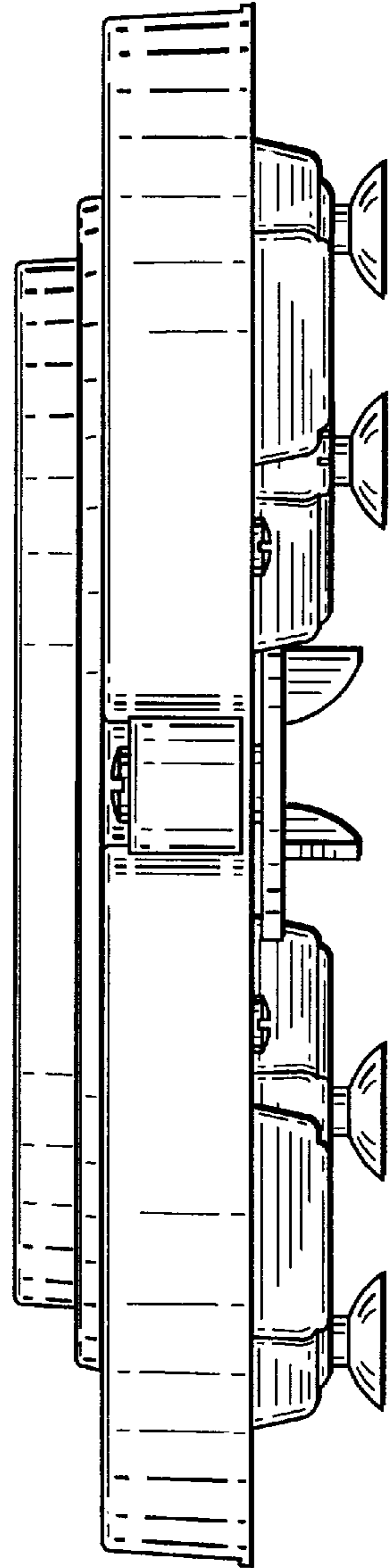


FIG. 7

