



US00D426309S

# United States Patent [19]

[11] Patent Number: **Des. 426,309**

Magray et al.

[45] Date of Patent: **\*\* Jun. 6, 2000**

[54] **LIGHTED WATERFALL FOR STRAIGHT WALL SPAS AND POOLS**

4,352,149	9/1982	Stetler .....	362/96
5,349,771	9/1994	Burnett .....	40/406
5,388,285	2/1995	Belniak .....	4/507
5,649,583	7/1997	Hsu .....	160/84.05

[75] Inventors: **Cindi Magray; Robert Magray**, both of Odessa, Fla.; **Tiffany D. Pope; James S. Pope**, both of Satsuma, Ala.

*Primary Examiner*—Stella Reid  
*Attorney, Agent, or Firm*—Dennis G. LaPointe; Mason & Assoc., PA

[73] Assignees: **Spa and Tub Manufacturers**, Chickasaw, Ala.; **Spa Manufacturers, Inc.**, Clearwater, Fla.

### [57] CLAIM

[\*\*] Term: **14 Years**

We claim the ornamental design for lighted waterfall for straight wall spas and pools, as shown and described.

[21] Appl. No.: **29/096,022**

### DESCRIPTION

[22] Filed: **Nov. 3, 1998**

[51] **LOC (7) Cl.** ..... **24-04**

FIG. 1 is a top plan view of a lighted waterfall for straight wall spas and pools, showing our new design;

[52] **U.S. Cl.** ..... **D24/204**

FIG. 2 is a side elevational view thereof;

[58] **Field of Search** ..... 362/811, 800, 362/101, 96, 227; D26/24, 51; 40/406, 407, 439; 160/84.04, 84.03, 84.01; 4/507, 506, 541.1-541.6; D24/200, 201, 204, 205; D23/201

FIG. 3 is an enlarged, fragmentary perspective view thereof; and,

FIG. 4 is a cross-sectional view thereof, taken along line 4-4 of FIG. 1.

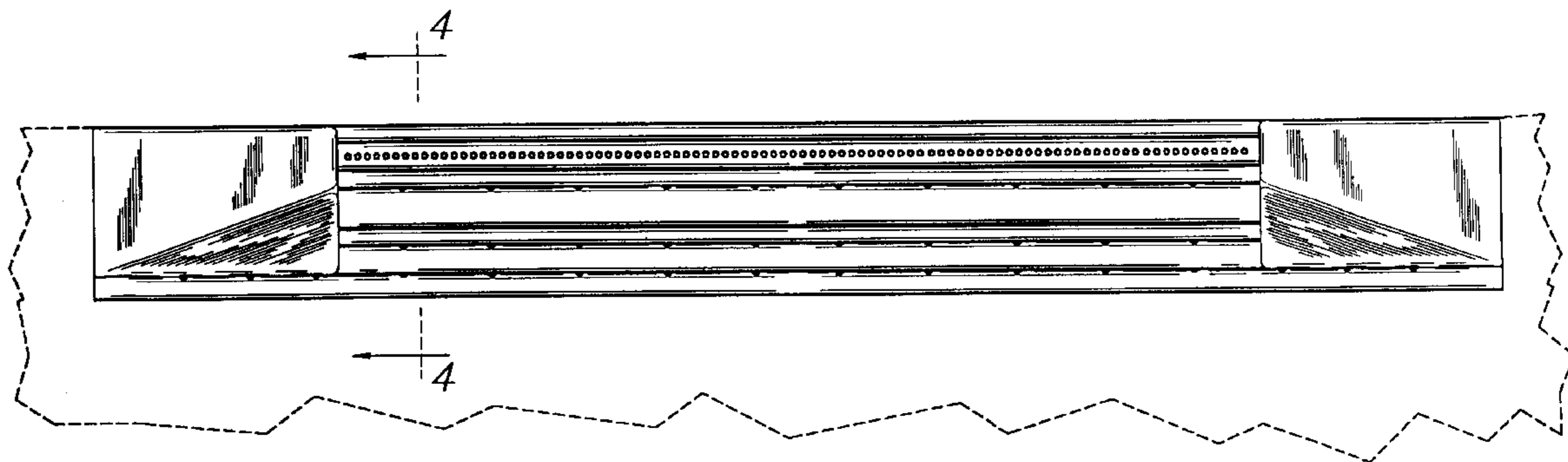
The broken line showing in the views is for illustrative purposes only and form no part of the claimed design.

### [56] References Cited

#### U.S. PATENT DOCUMENTS

3,644,726 2/1972 Pfeuffer ..... 40/406

**1 Claim, 2 Drawing Sheets**



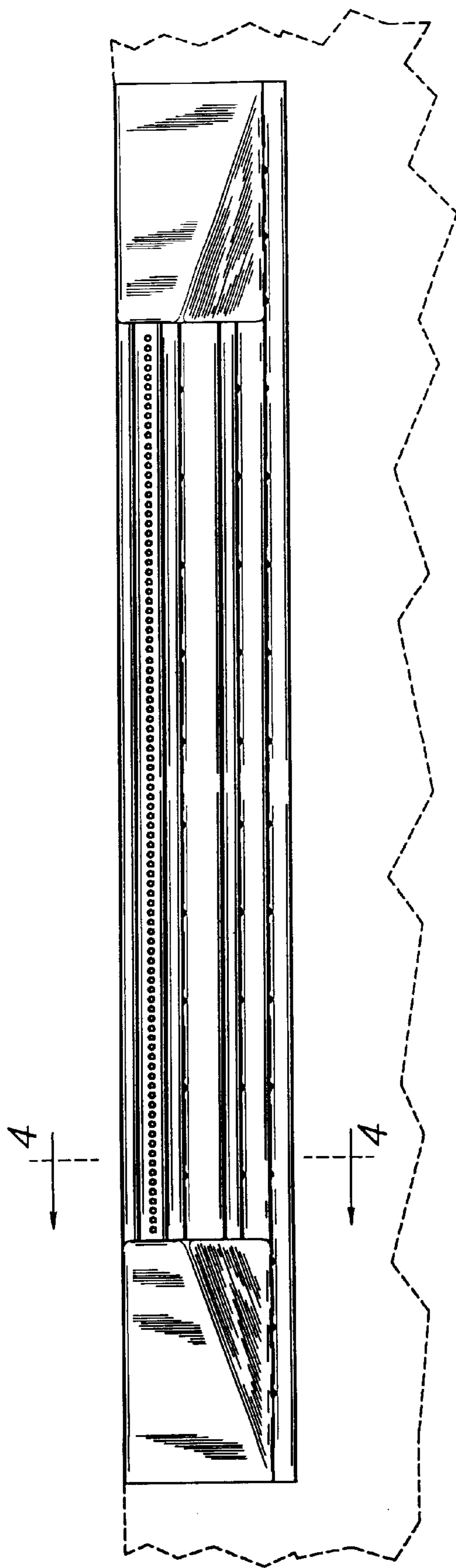


FIG. 1

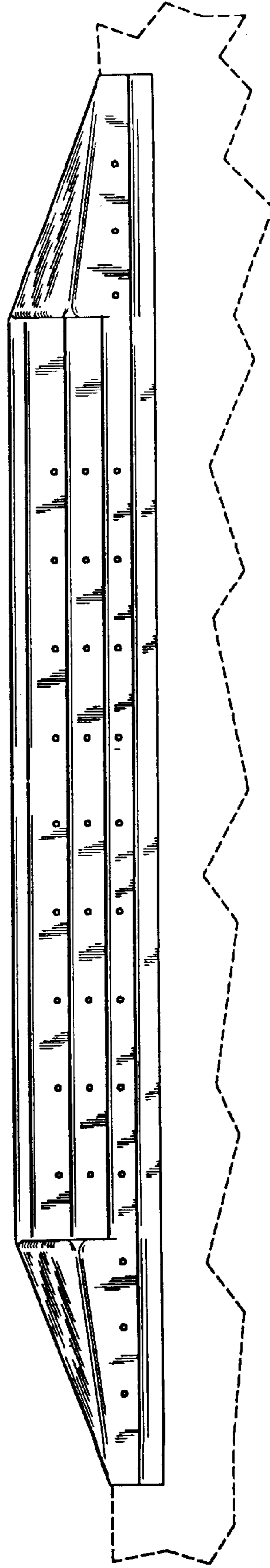


FIG. 2

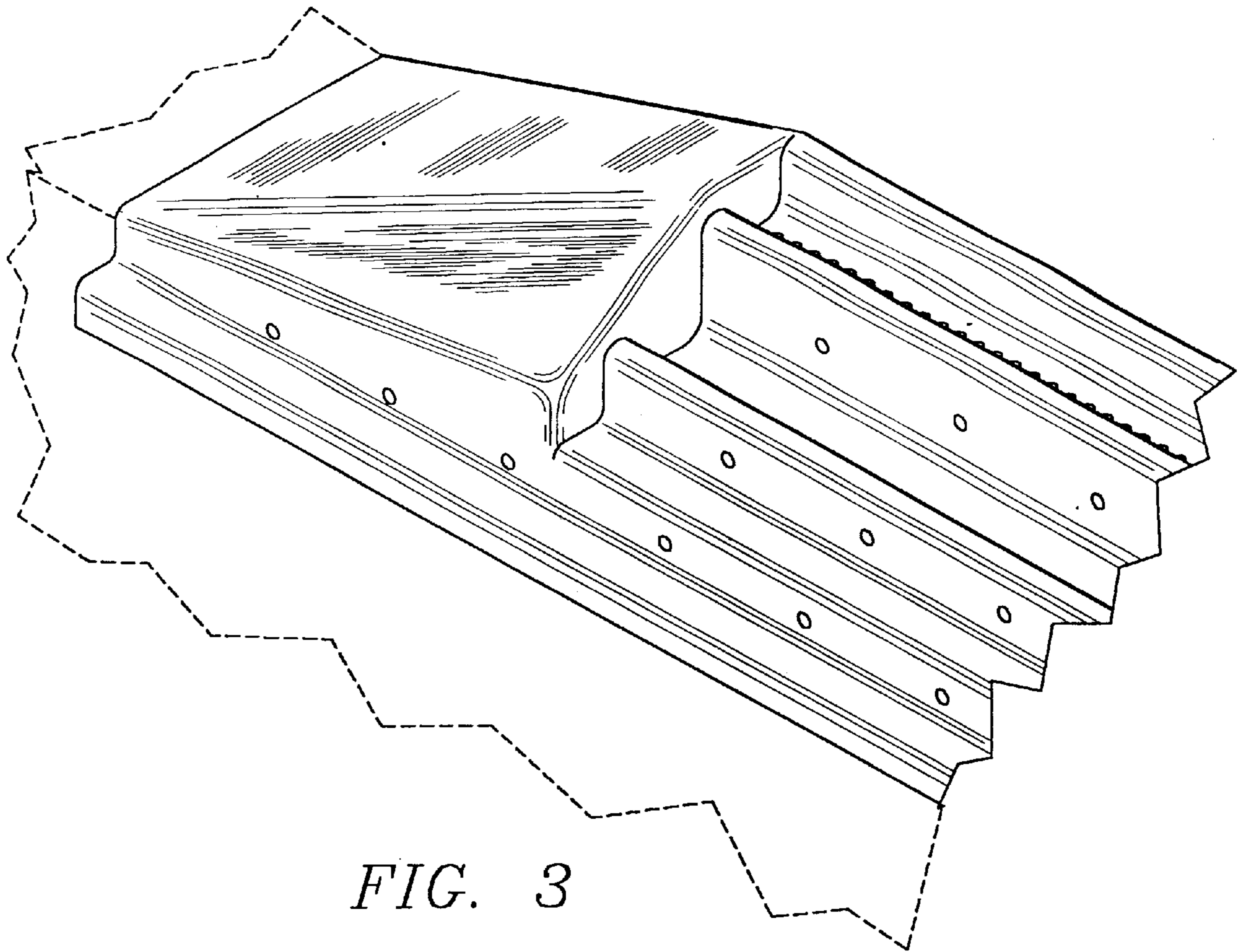


FIG. 3

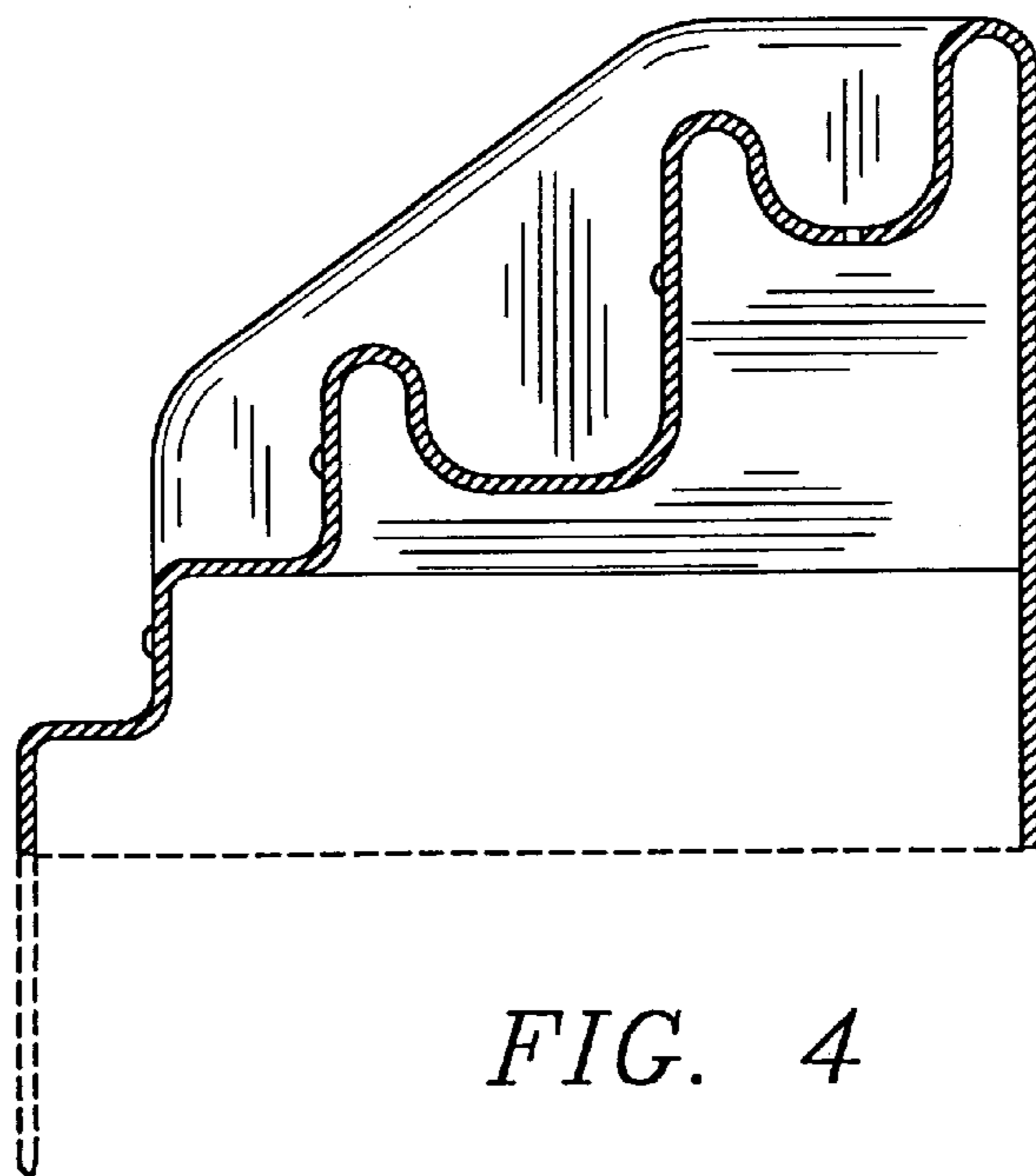


FIG. 4