



US00D426302S

United States Patent [19] Wilkinson

[11] **Patent Number: Des. 426,302**
[45] **Date of Patent: ** Jun. 6, 2000**

[54] **SPECIMEN COLLECTION CONTAINER**

[75] **Inventor: Bradley Mark Wilkinson, North Haledon, N.J.**

[73] **Assignee: Becton, Dickinson and Company, Franklin Lakes, N.J.**

[**] **Term: 14 Years**

[21] **Appl. No.: 29/108,998**

[22] **Filed: Aug. 6, 1999**

[51] **LOC (7) Cl. 24-04**

[52] **U.S. Cl. D24/122**

[58] **Field of Search** D24/123, 122, D24/121, 216, 224; 600/573, 574, 577, 570, 575; 604/403, 315, 317, 319, 320, 331, 349; D23/302; 4/114.1, 114.2, 612, 613, 614; 422/102, 58, 61; 435/288.1, 304.1, 810, 367.1; 206/363, 569

[56] **References Cited**

U.S. PATENT DOCUMENTS

D. 356,865	3/1995	Ivie	D24/122
3,161,891	12/1964	Bauman	D24/177 X
3,485,233	12/1969	Cord	600/574
3,750,647	8/1973	Gleason et al.	128/2 F
4,026,433	5/1977	Crippa	600/573
4,106,490	8/1978	Spilman et al.	128/2 F
4,116,066	9/1978	Mehl et al.	73/421 R
4,121,306	10/1978	Bringman et al.	4/144.2
4,258,032	3/1981	Mehl	424/148
4,300,404	11/1981	Mehl et al.	73/863.52
4,304,013	12/1981	Heimreid	D24/112

4,335,730	6/1982	Griffin	128/760
4,393,881	7/1983	Shah	128/760
4,492,258	1/1985	Lichtenstein et al.	141/1
4,761,379	8/1988	Williams et al.	435/296
4,769,215	9/1988	Ehrenkranz	422/58
4,895,167	1/1990	Guala	128/760
5,069,878	12/1991	Ehrenkranz	422/61
5,147,342	9/1992	Kane et al.	604/356
5,251,639	10/1993	Rentsch	128/761
5,422,076	6/1995	Jones	422/102
5,569,225	10/1996	Fleury	604/323
5,797,855	8/1998	Hazard et al.	600/513
5,849,505	12/1998	Guirguis	435/7.2
5,893,176	4/1999	Magiera et al.	4/144.4
5,894,607	4/1999	Van Den Burg	4/144.2
5,894,608	4/1999	Birbara	4/144.3
5,897,840	4/1999	Owens, Jr. et al.	422/102

Primary Examiner—Stella Reid
Assistant Examiner—I Simmons
Attorney, Agent, or Firm—Keith J. McWha

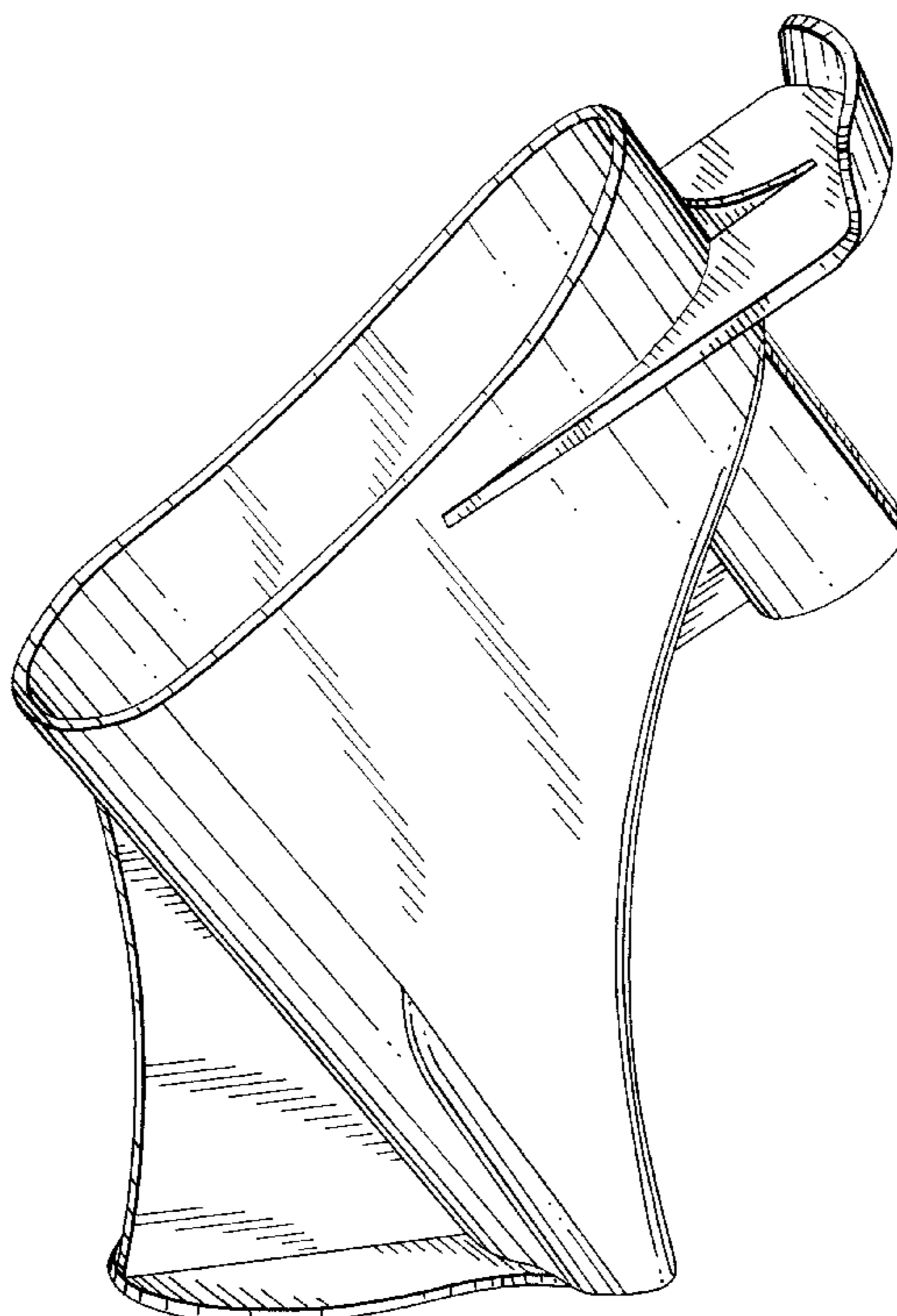
[57] **CLAIM**

The ornamental design for a specimen collection container, as shown and described.

DESCRIPTION

FIG. 1 is a top left side perspective view of a specimen collection container, showing our design;
FIG. 2 is a left-side view of the container of FIG. 1, the right-side view being a mirror image thereof;
FIG. 3 is a top-plan view of the container of FIG. 1;
FIG. 4 is a front view of the container of FIG. 1;
FIG. 5 is a rear view of the container of FIG. 1; and,
FIG. 6 is a bottom-plan view of the container of FIG. 1.

1 Claim, 4 Drawing Sheets



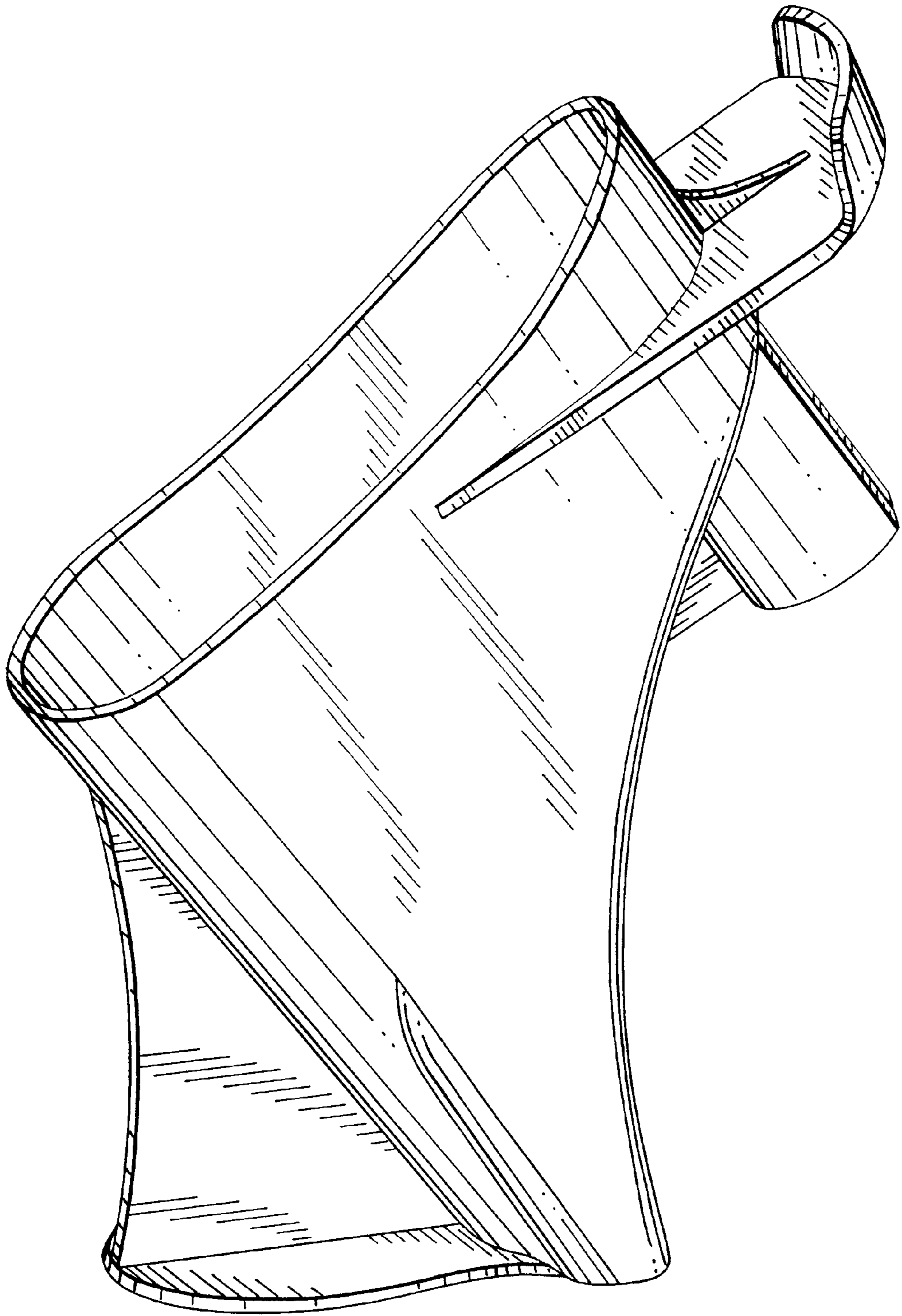


FIG. 1

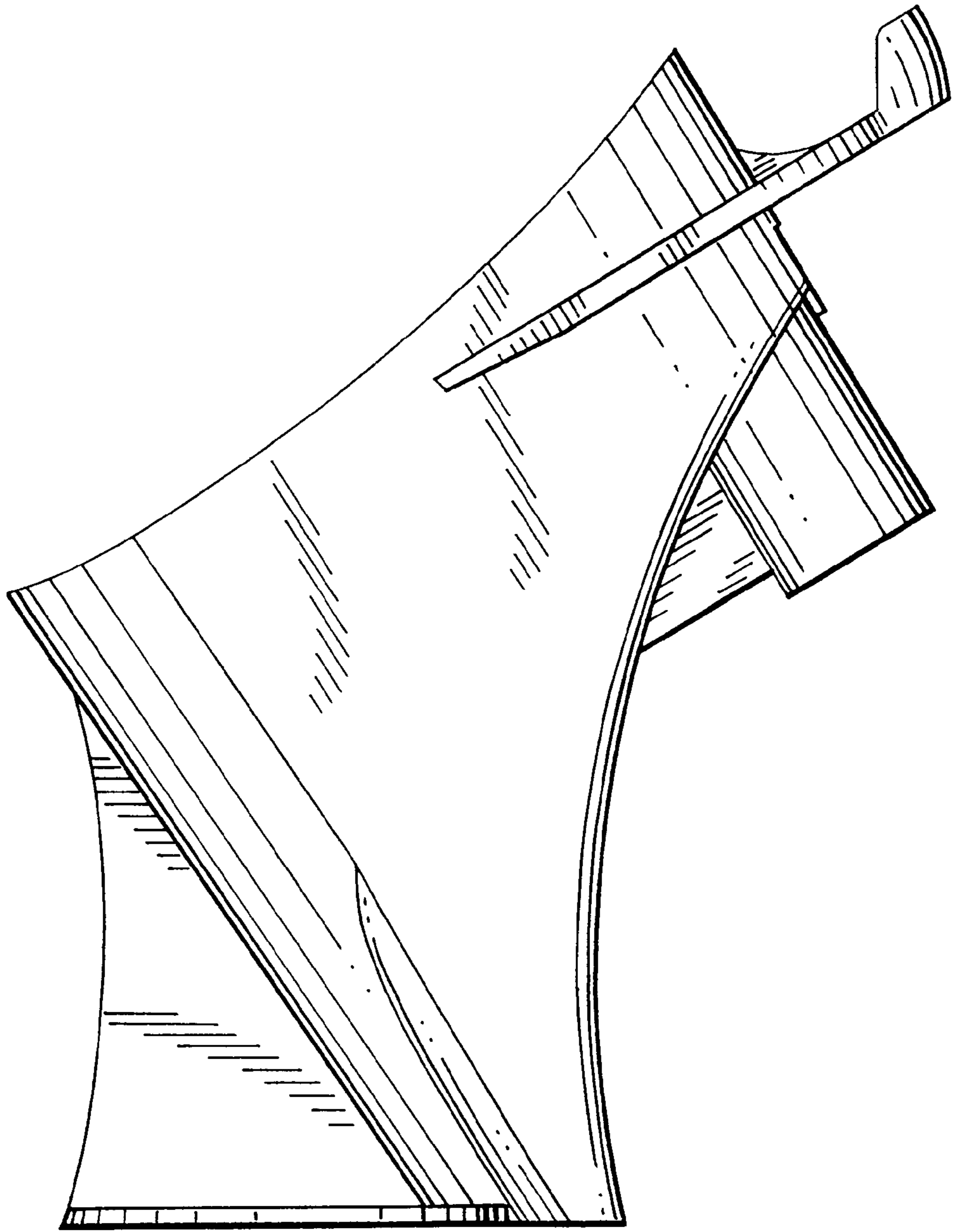


FIG.2

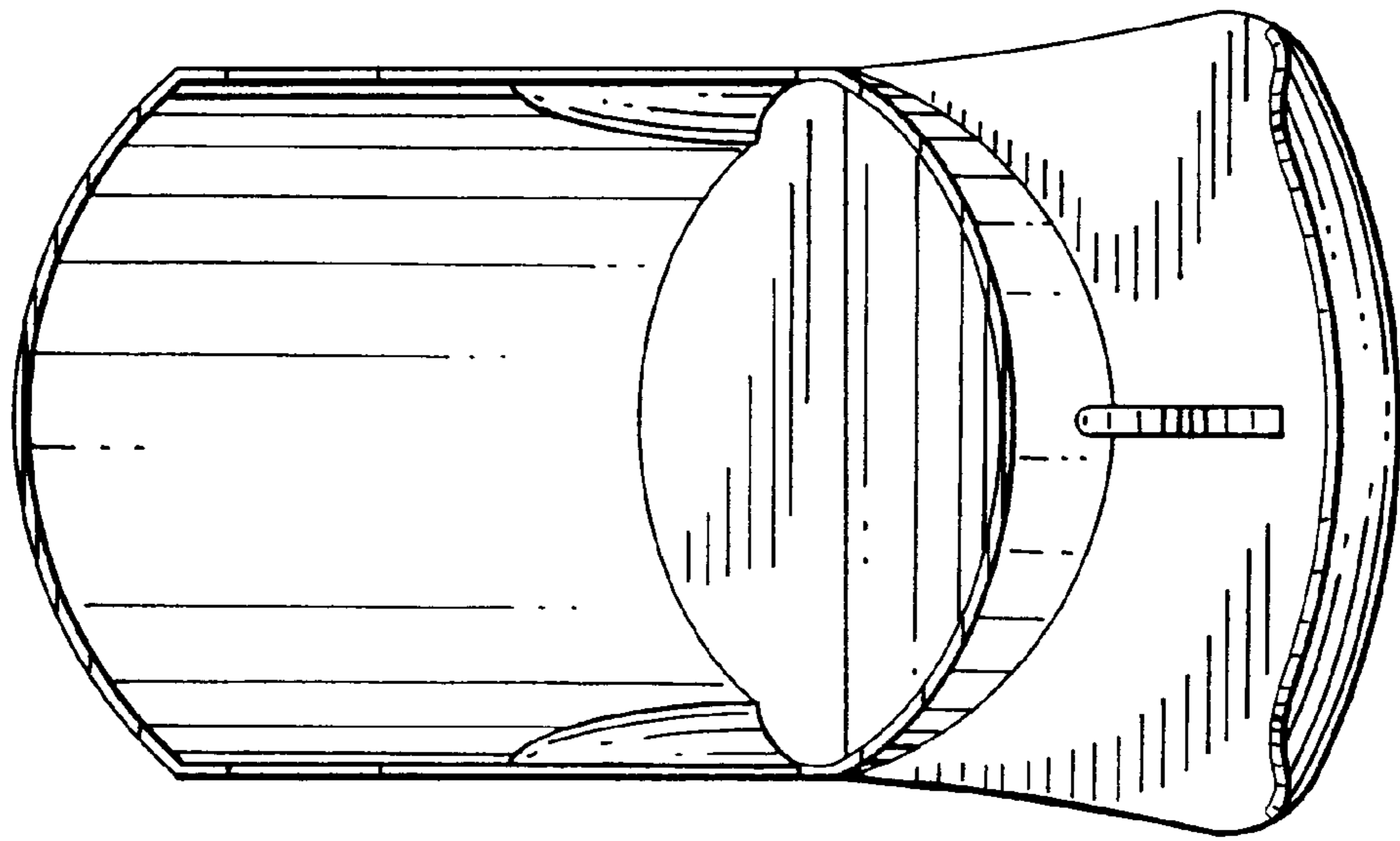


FIG. 3

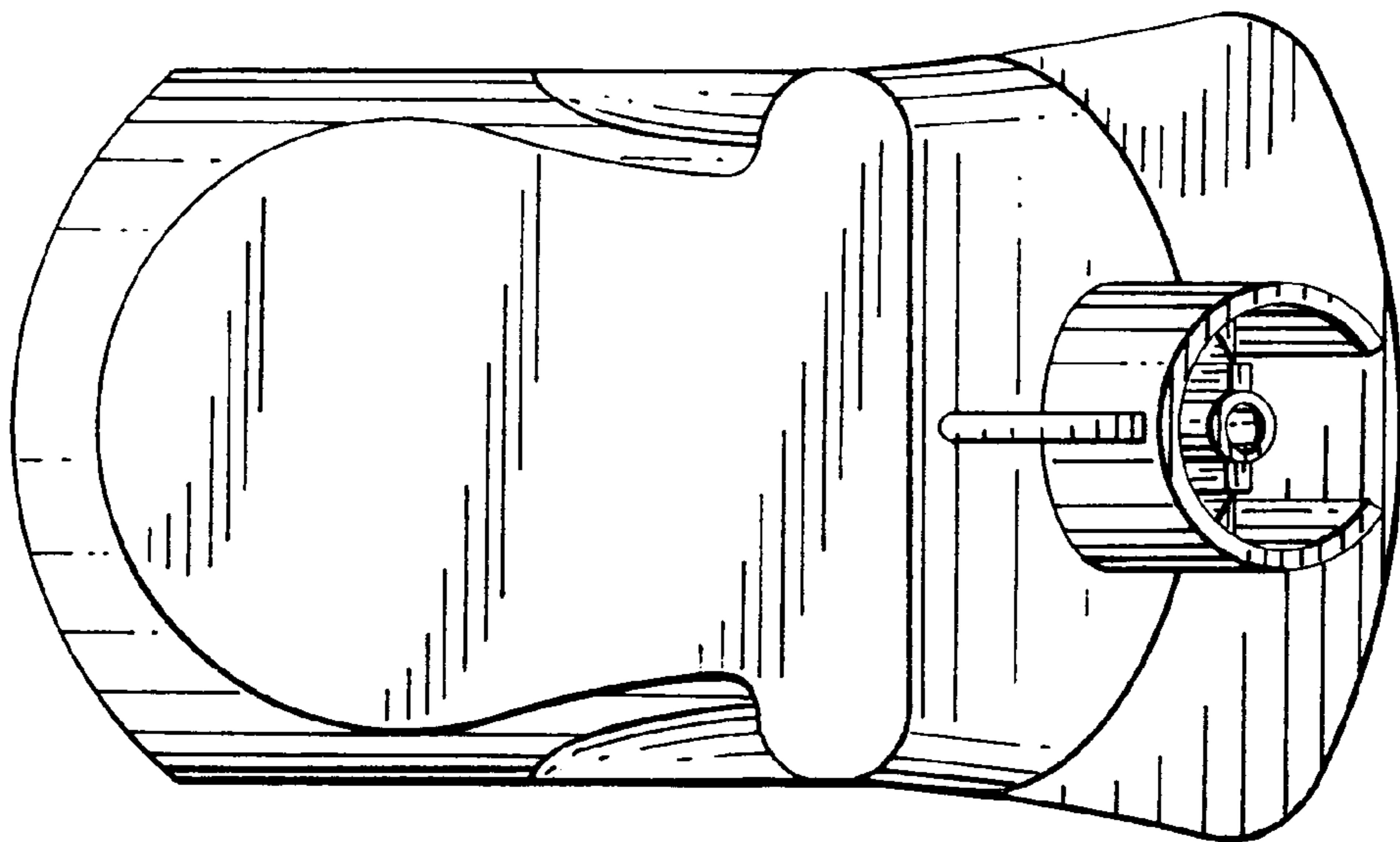


FIG. 6

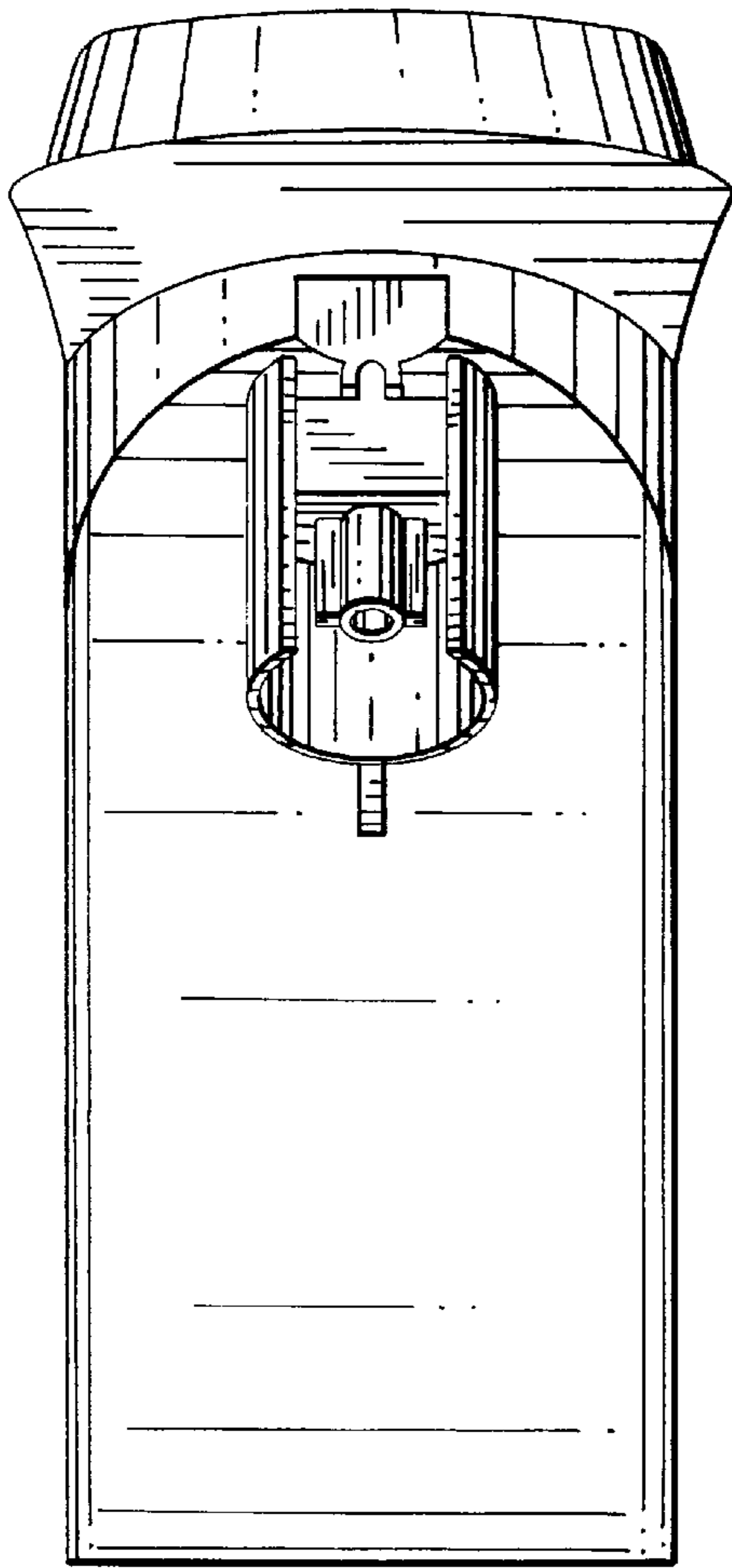


FIG. 4

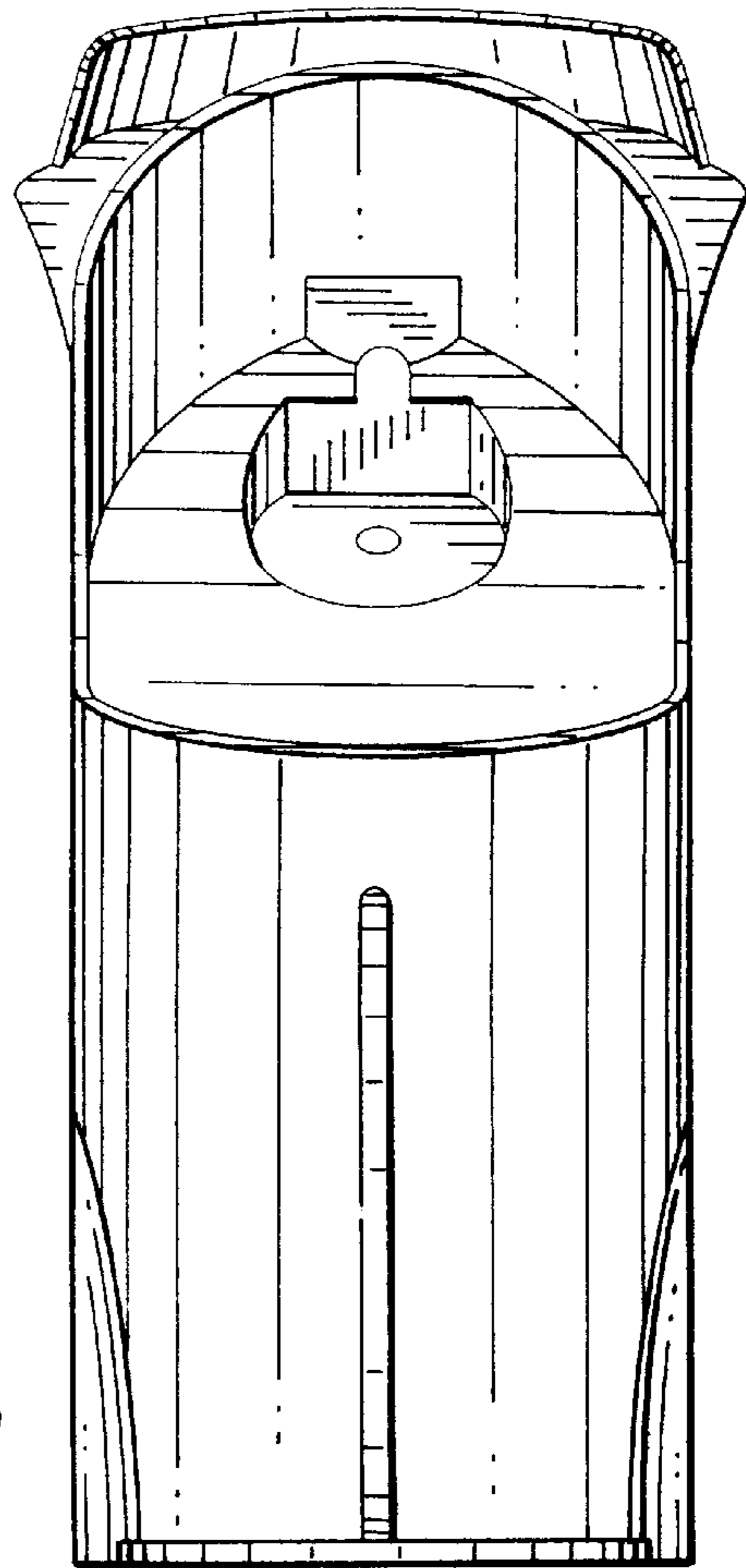


FIG. 5