



US00D426297S

United States Patent [19] Phippen

[11] **Patent Number: Des. 426,297**
[45] **Date of Patent: ** Jun. 6, 2000**

[54] **FIREPLACE ACCESSORY**

4,076,490 2/1978 Hilker 431/125

[76] Inventor: **Larry Phippen**, 3671 Firethorn,
Rockford, Ill. 61114

Primary Examiner—Philip S. Hyder
Attorney, Agent, or Firm—Keith Frantz

[**] Term: **14 Years**

[57] CLAIM

[21] Appl. No.: **29/085,100**

The ornamental design for a fireplace accessory, as shown and described.

[22] Filed: **Mar. 16, 1998**

DESCRIPTION

[51] **LOC (7) Cl.** **07-08**

FIG. 1 is a front perspective view of my new fireplace accessory design.

[52] **U.S. Cl.** **D23/409**

FIG. 2 is a front elevational view thereof.

[58] **Field of Search** D23/409; D6/404;
431/125; D11/149; 126/512

FIG. 3 is a top plan view thereof; and,

FIG. 4 is a side elevational view thereof, the side not shown being a mirror image thereof.

[56] References Cited

U.S. PATENT DOCUMENTS

D. 60,246	1/1922	Humphrey	D23/409
D. 67,265	5/1925	Brown	D23/409
D. 71,098	9/1926	Banner et al.	D23/409
D. 71,999	2/1927	Brown	D23/409
D. 387,854	12/1997	Newman et al.	D23/409
1,239,346	9/1917	Brown	D23/409

The bottom and rear of the accessory form no part of the claimed invention.

The broken line showing of candles in the Figures is for illustrative purposes only and forms no part of the claimed design.

1 Claim, 2 Drawing Sheets

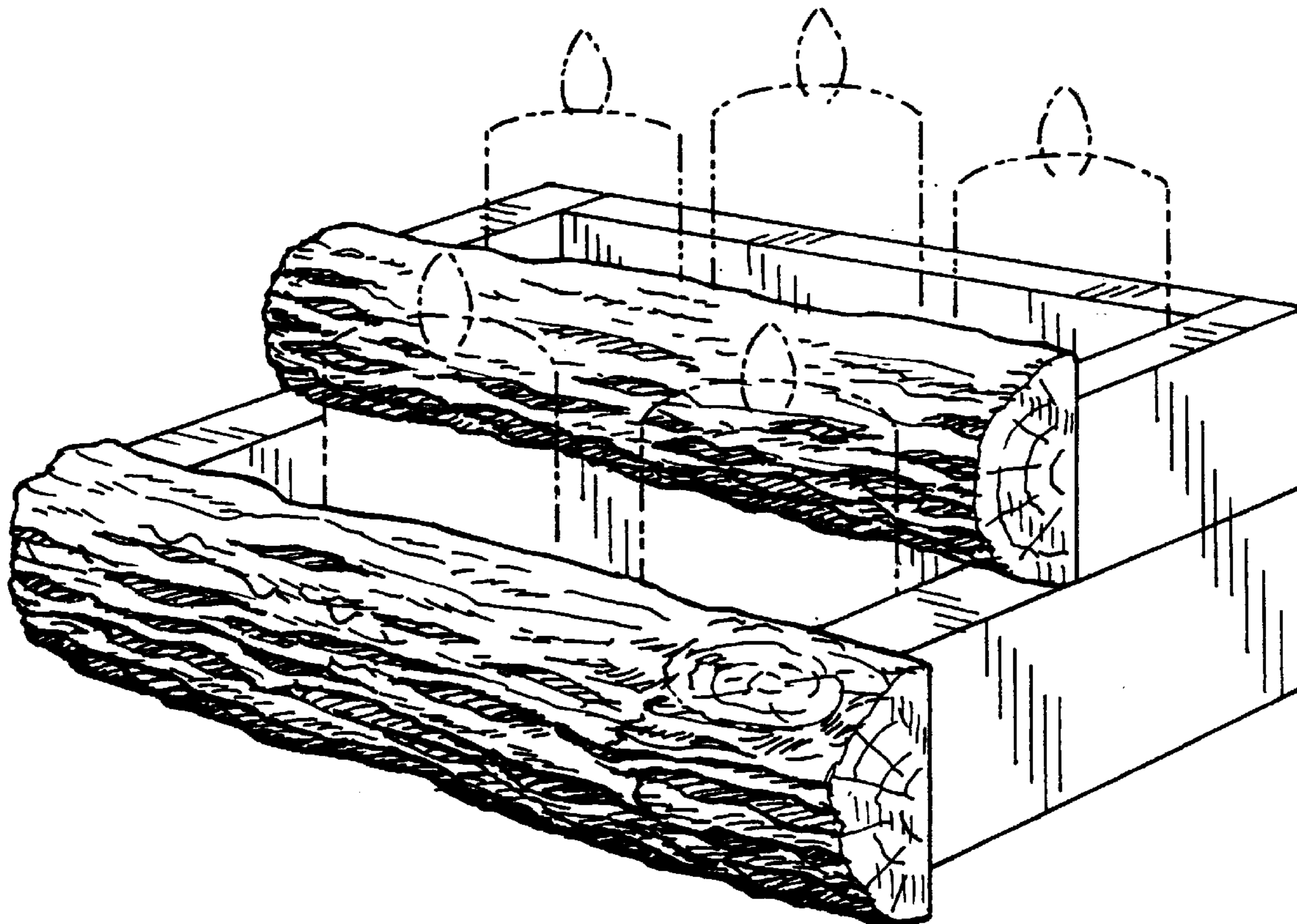


FIG.1

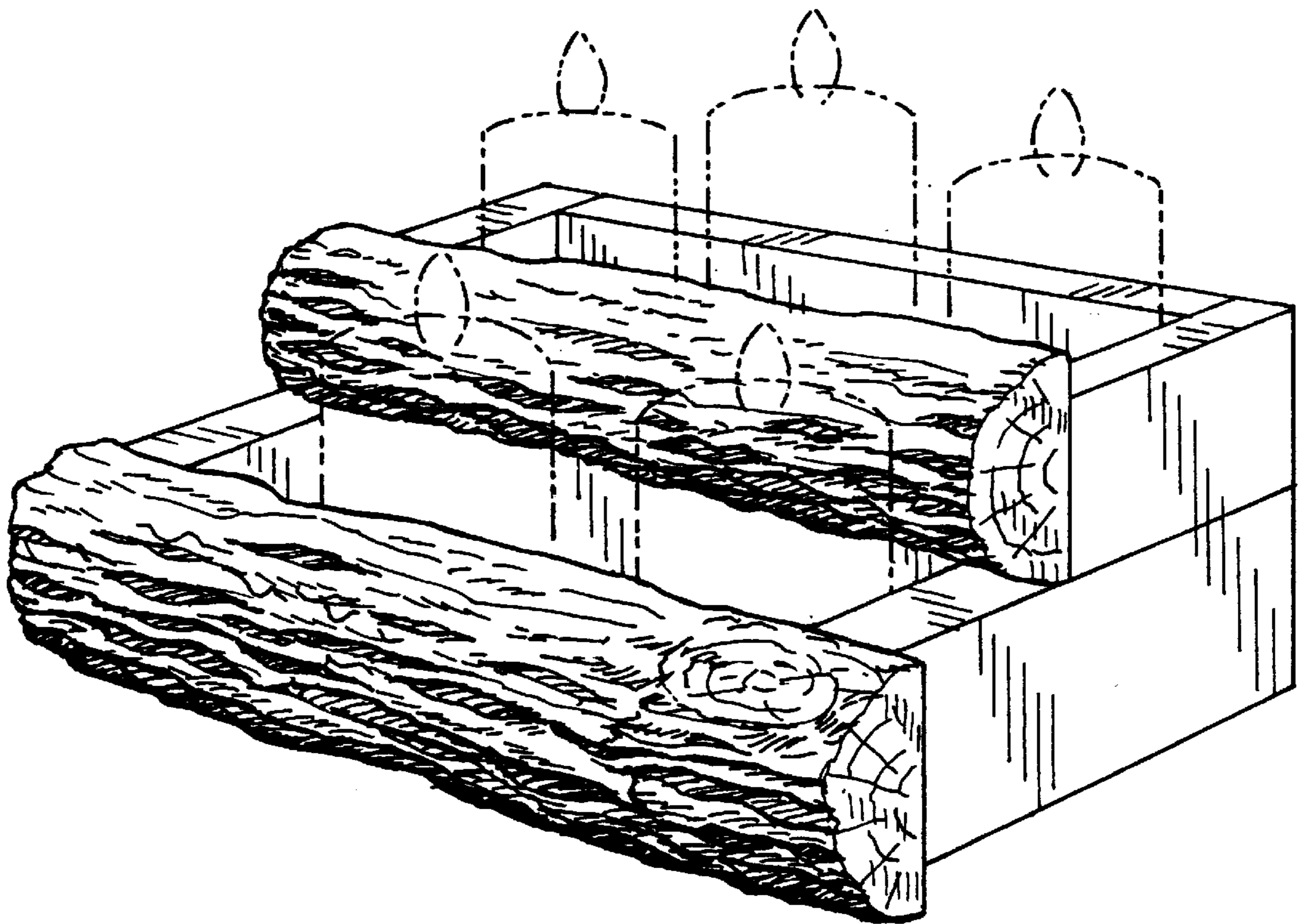




FIG. 2

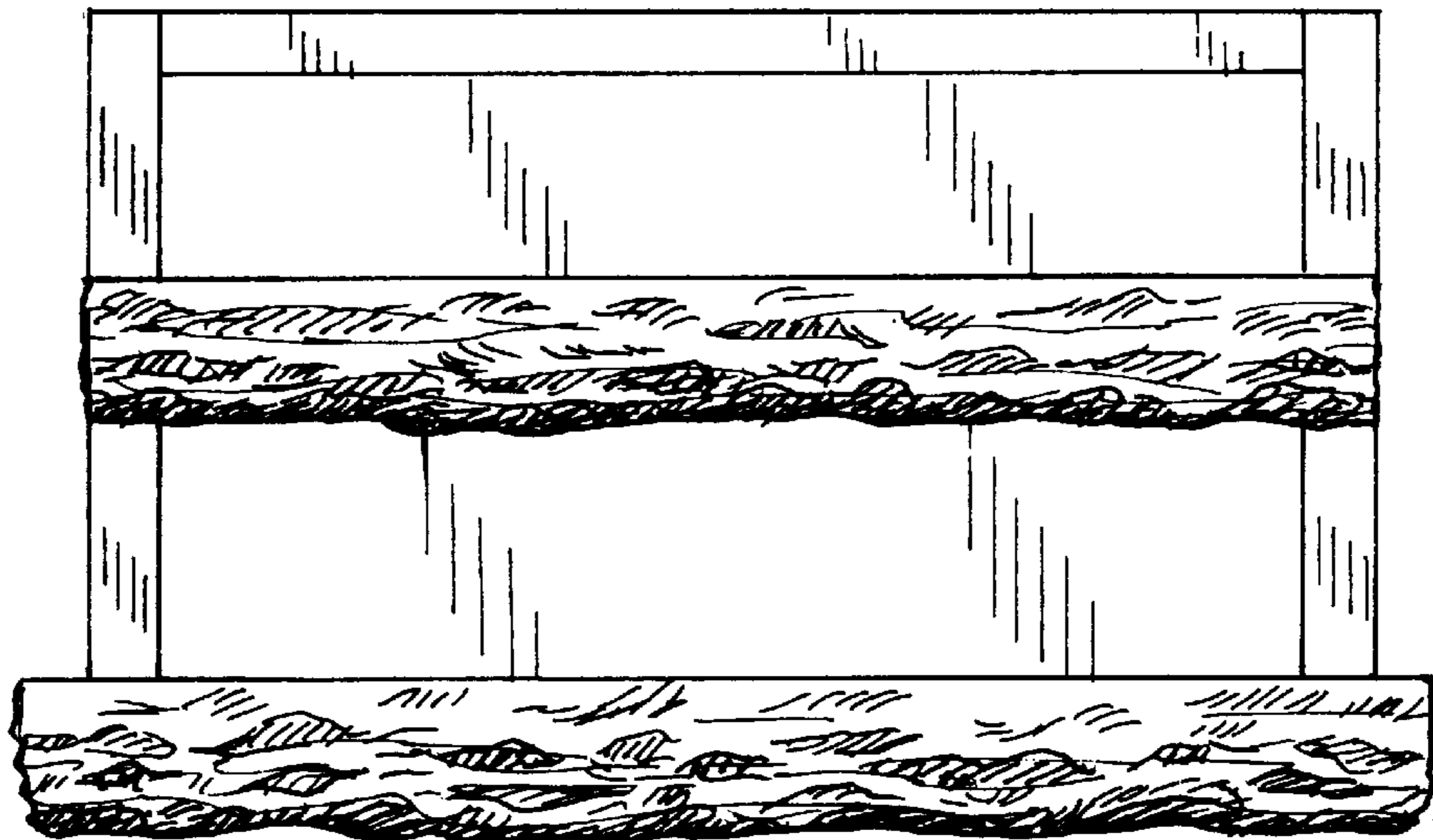


FIG. 3

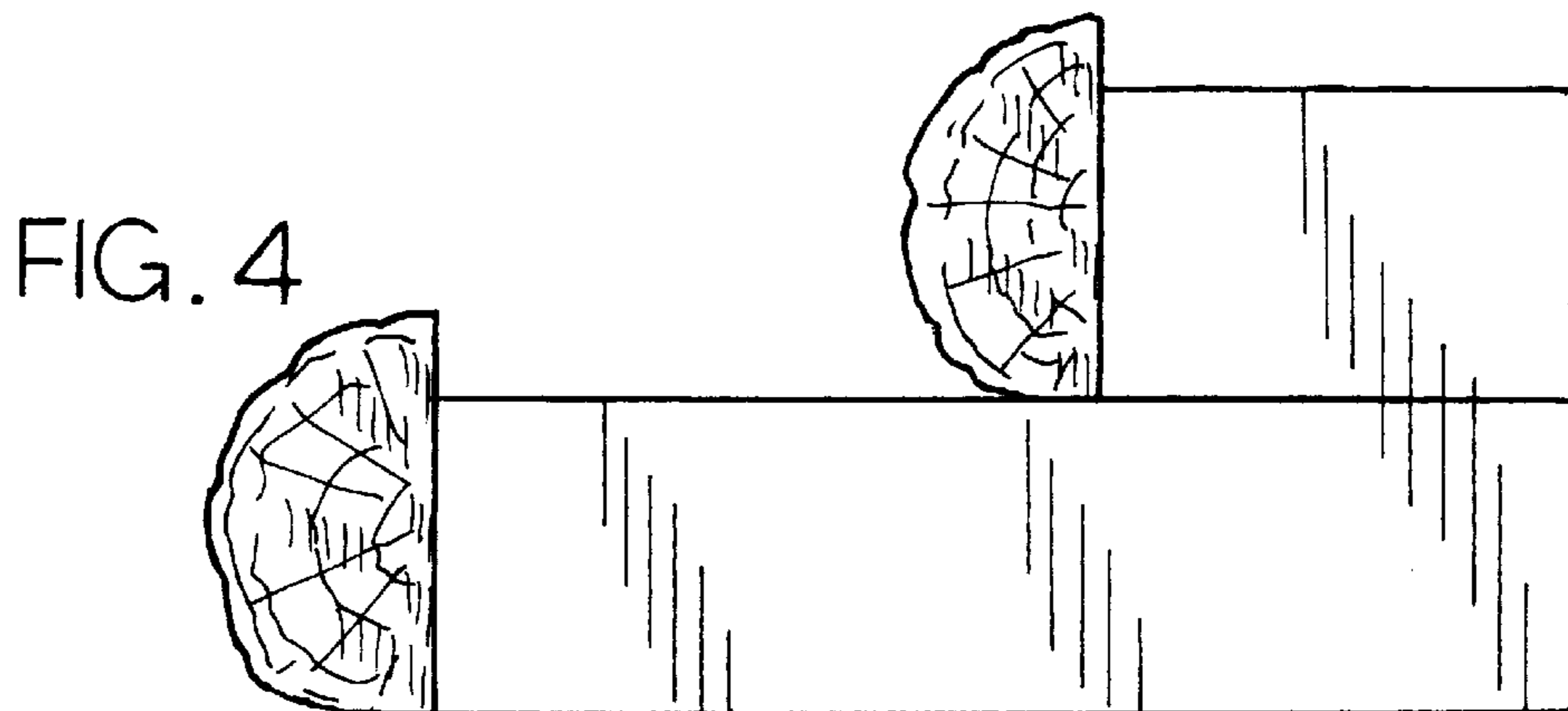


FIG. 4