



US00D426296S

# United States Patent [19] Blateri

[11] Patent Number: **Des. 426,296**

[45] Date of Patent: **\*\* Jun. 6, 2000**

[54] **COOLING FAN**

5,295,811 3/1994 Chiu ..... 416/247 R  
5,829,956 11/1998 Chen et al. .... 416/244 R

[75] Inventor: **Frank Blateri**, Coppel, Tex.

[73] Assignee: **Aloha Housewares Co., Ltd.**, Taiwan

*Primary Examiner*—Lisa Lichtenstein  
*Attorney, Agent, or Firm*—Haynes & Boone, L.L.P.

[\*\*] Term: **14 Years**

### [57] CLAIM

[21] Appl. No.: **29/112,819**

The ornamental design for a cooling fan, as shown and described.

[22] Filed: **Oct. 25, 1999**

### DESCRIPTION

[51] **LOC (7) Cl.** ..... **23-04**

[52] **U.S. Cl.** ..... **D23/382; D23/370; D23/381**

[58] **Field of Search** ..... D23/381, 382,  
D23/411, 412, 332, 370; 416/244 R, 246,  
247 R

FIG. 1 is a front elevational view of the cooling fan showing my new design;

FIG. 2 is an elevational view of one side thereof;

FIG. 3 is a rear elevational view thereof;

FIG. 4 is an elevational view of the other side thereof;

FIG. 5 is a top plan view thereof; and,

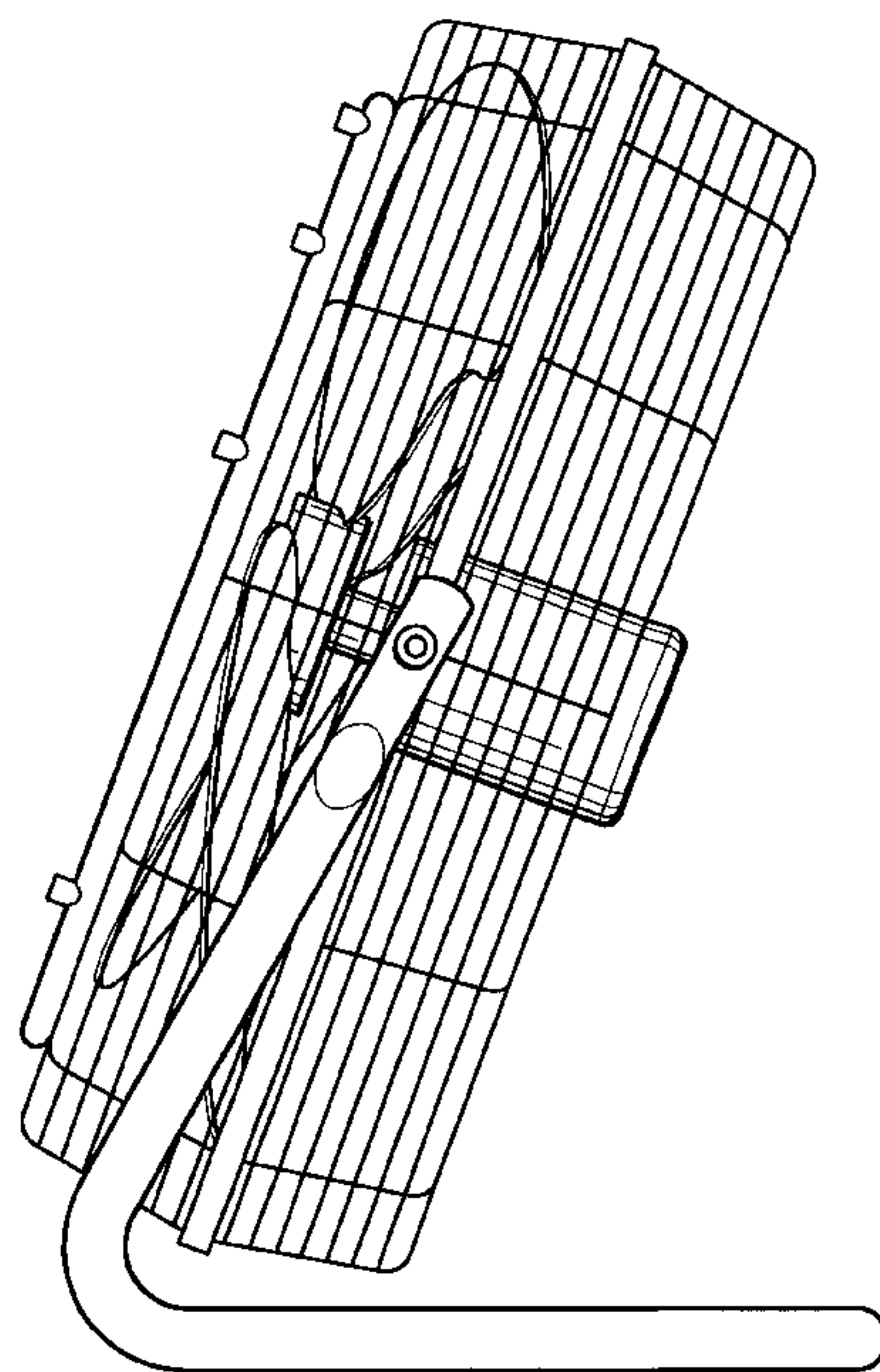
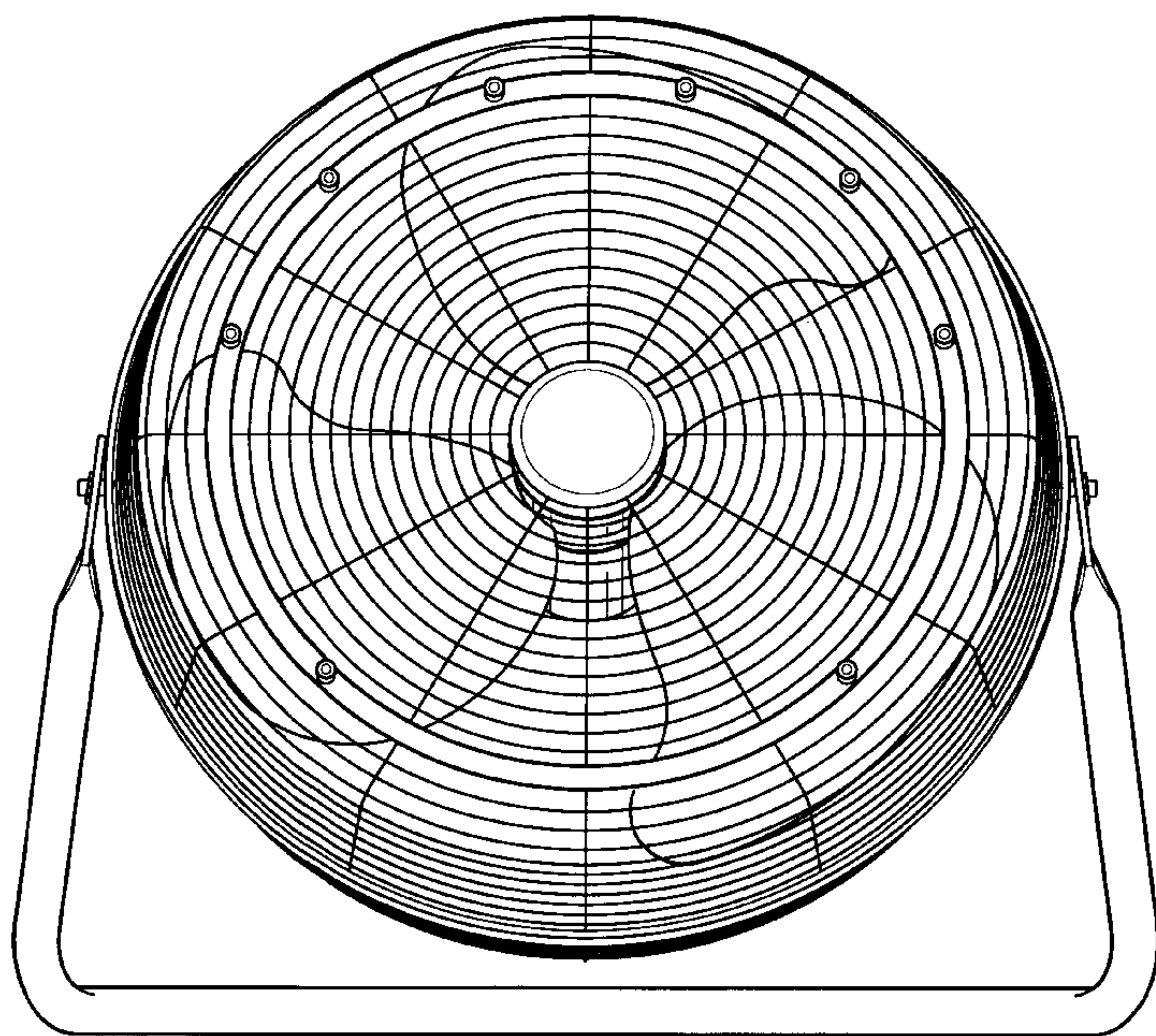
FIG. 6 is a bottom plan view thereof.

### [56] References Cited

#### U.S. PATENT DOCUMENTS

D. 388,869 1/1998 Wang ..... D23/378

**1 Claim, 3 Drawing Sheets**



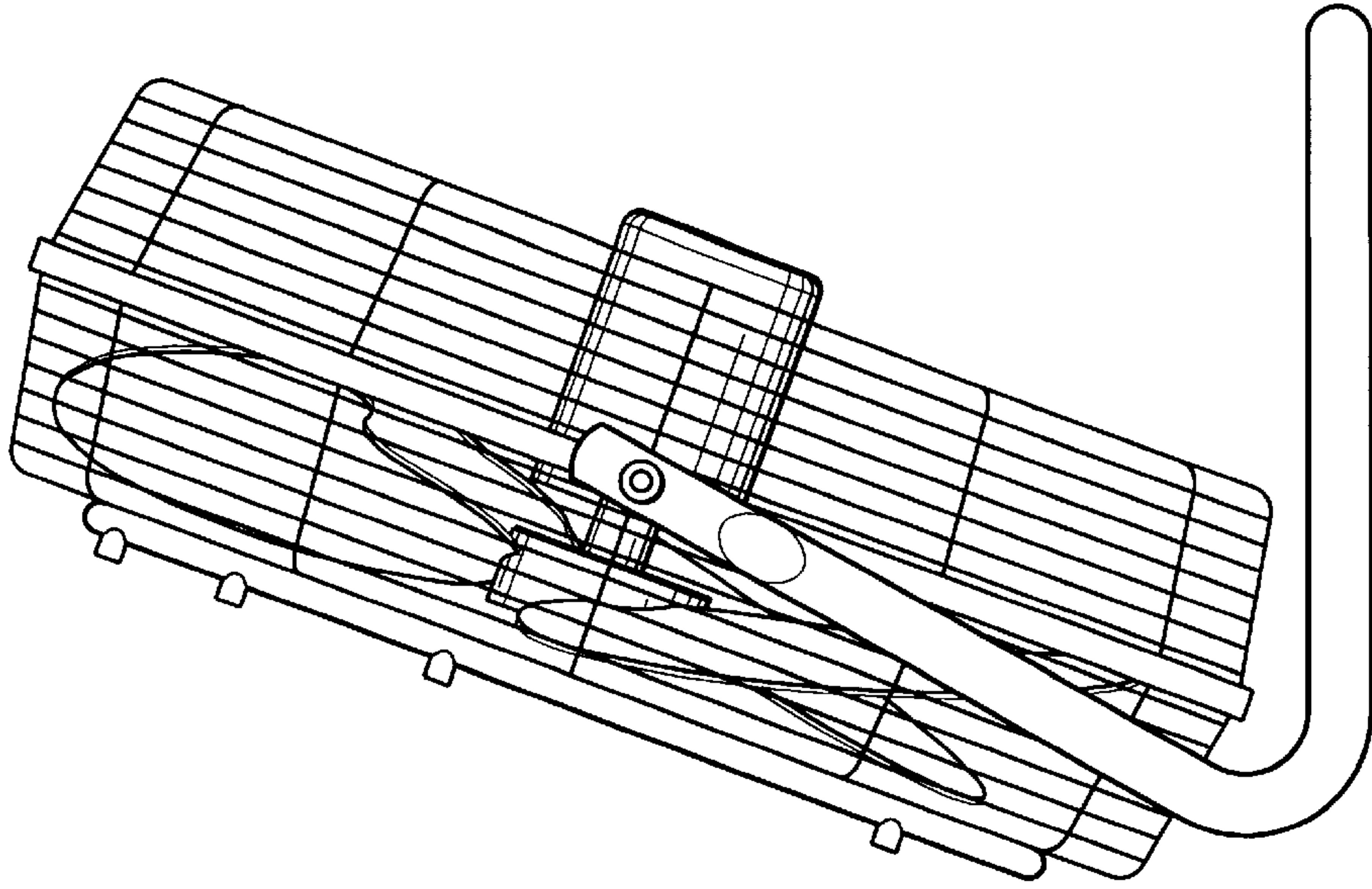


Fig. 2

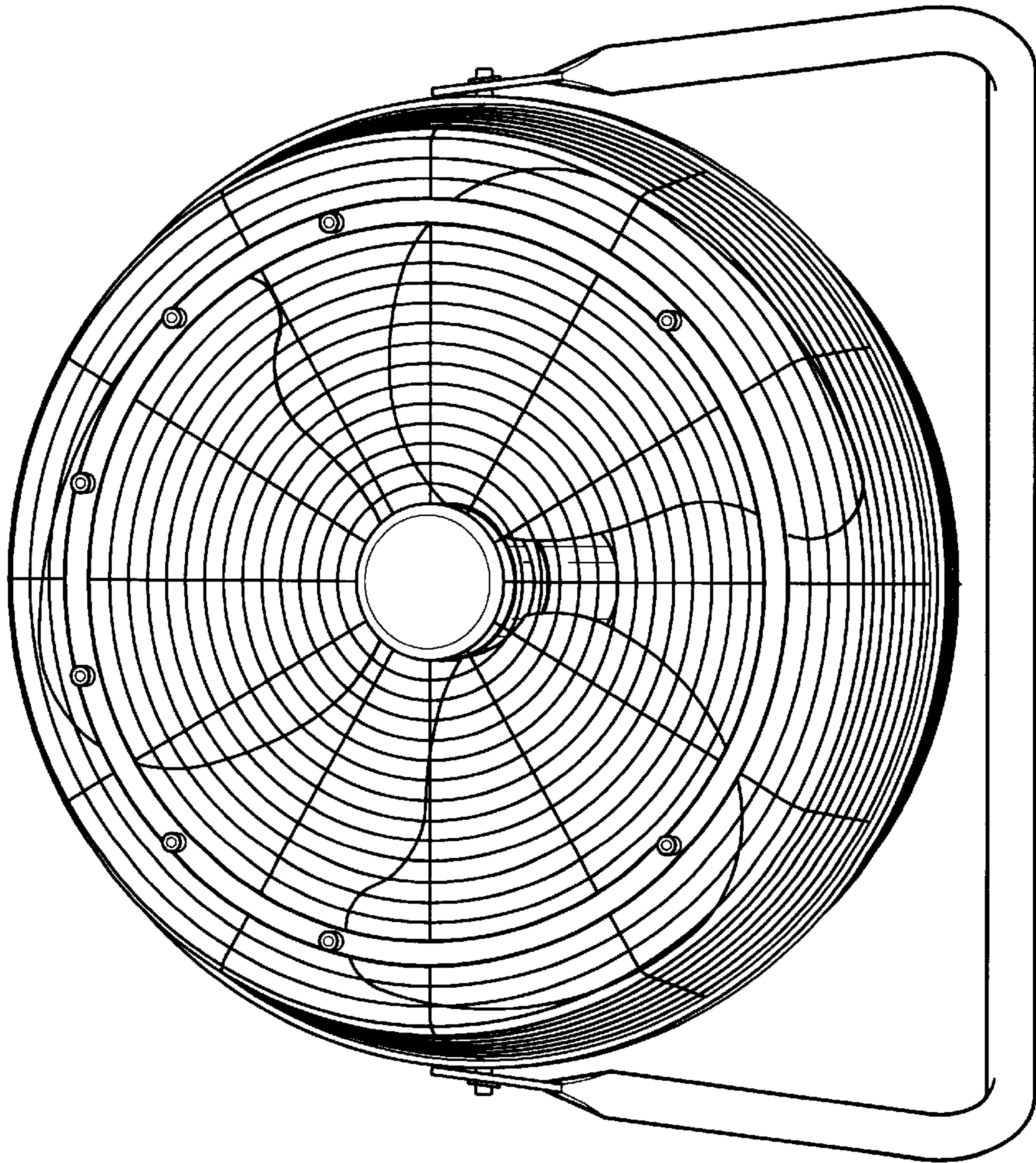
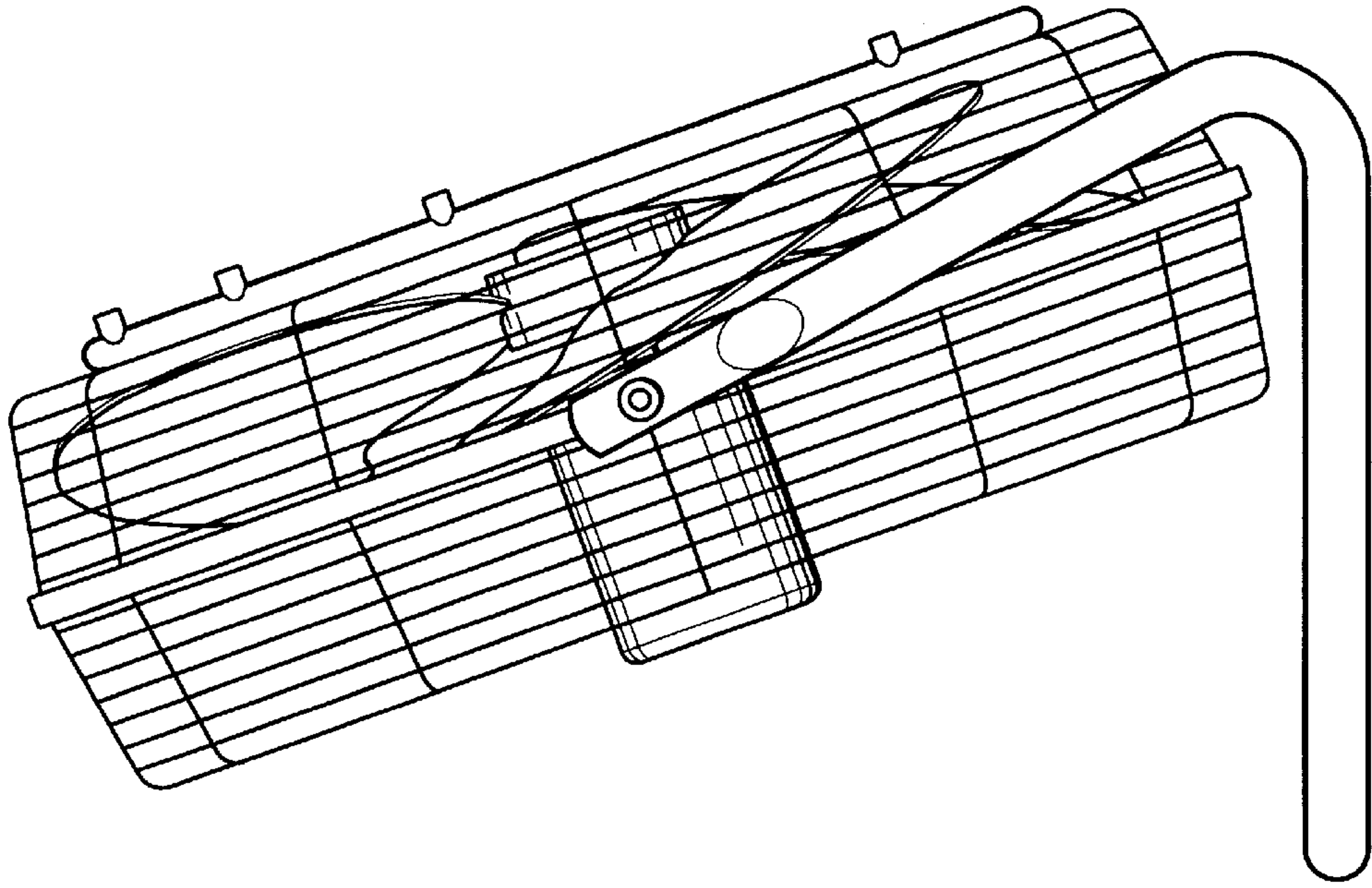
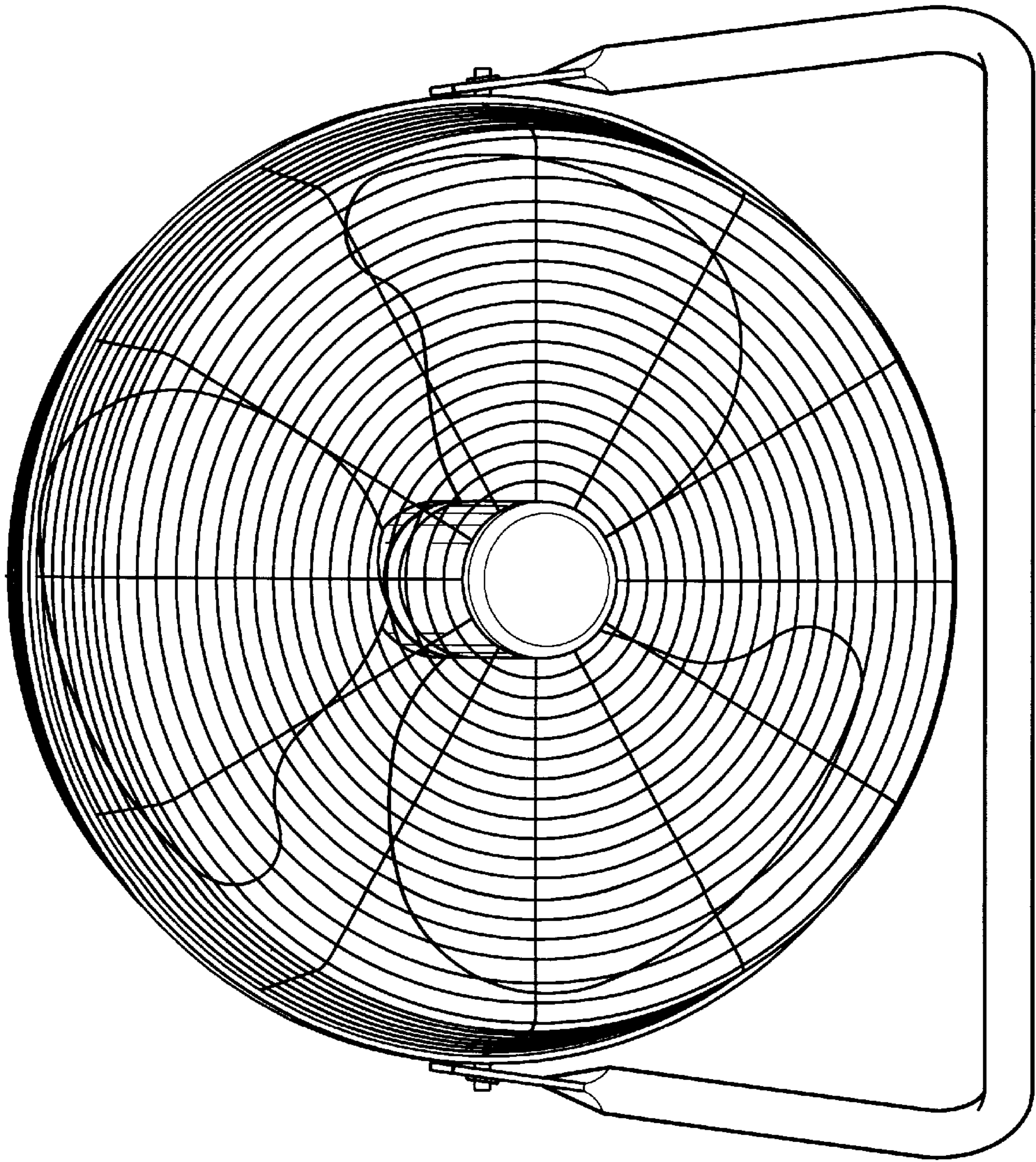


Fig. 1

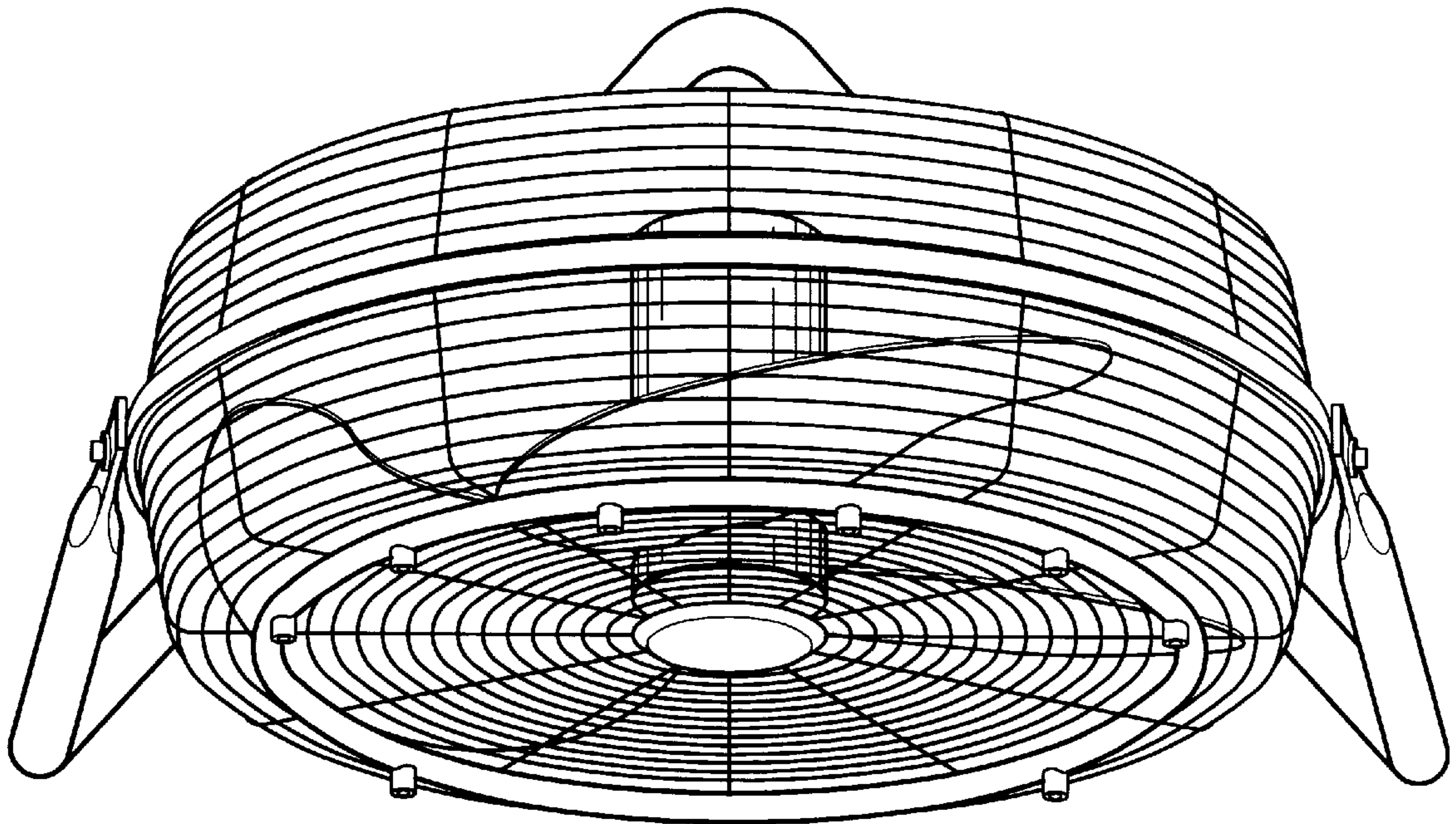




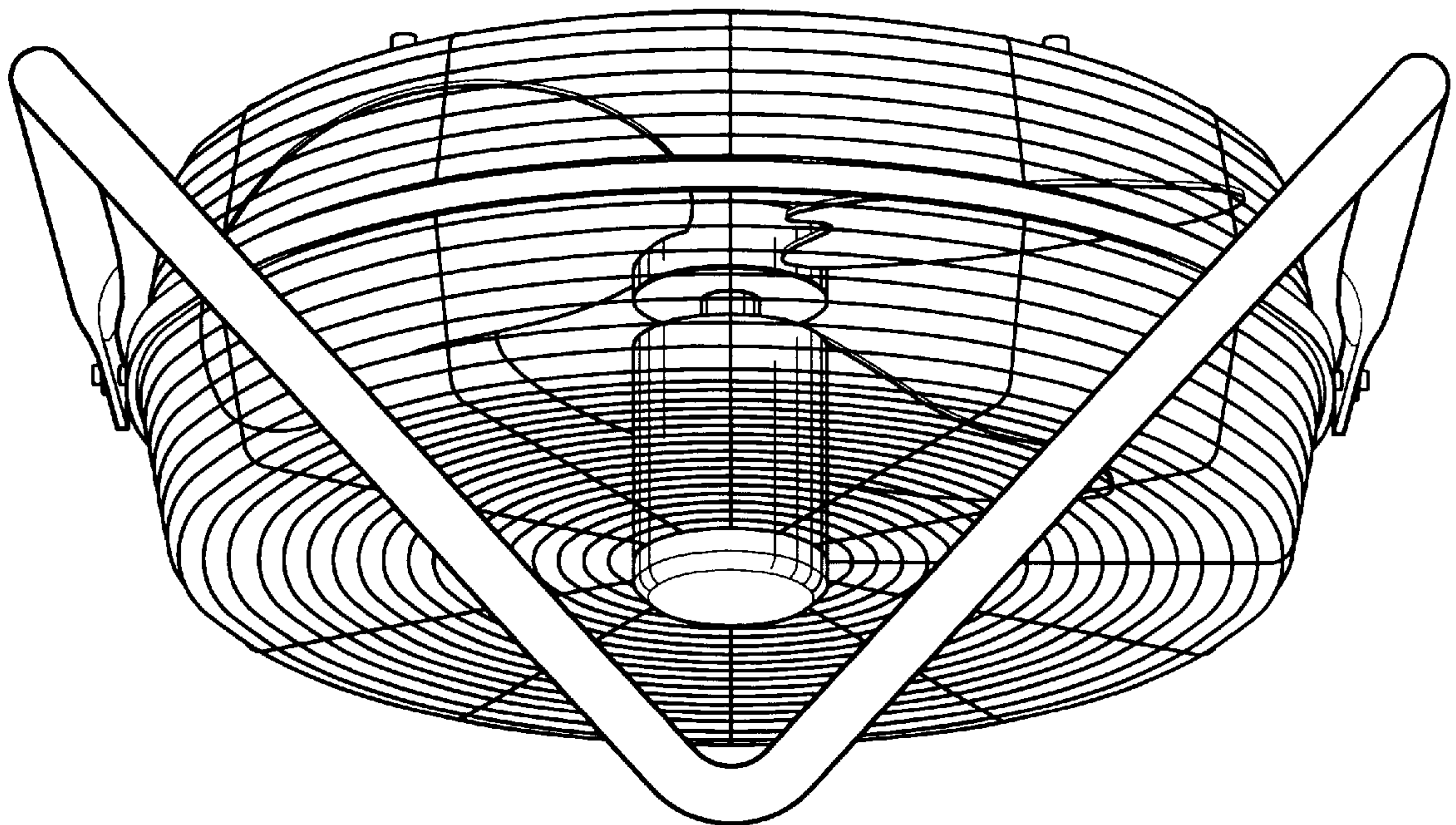
*Fig. 4*



*Fig. 3*



*Fig. 5*



*Fig. 6*