



US00D426292S

# United States Patent [19] Nanjo

[11] **Patent Number: Des. 426,292**  
[45] **Date of Patent: \*\* Jun. 6, 2000**

[54] **AIR CONDITIONER**

[75] Inventor: **Satashi Nanjo**, Kawasaki, Japan

[73] Assignee: **Fujitsu General Limited**, Kawasaki, Japan

[\*\*] Term: **14 Years**

[21] Appl. No.: **29/107,935**

[22] Filed: **Jul. 19, 1999**

D. 331,458 12/1992 Saito et al. .... D23/351  
D. 387,859 12/1997 Ukai et al. .... D23/351  
D. 398,974 9/1998 Aihara .... D23/351  
D. 401,682 11/1998 Galeazzi et al. .... D23/351  
2,323,178 6/1943 Denman .

*Primary Examiner*—B. J. Bullock  
*Attorney, Agent, or Firm*—Sughrue, Mion, Zinn, Macpeak & Seas, PLLC

### Related U.S. Application Data

[62] Division of application No. 29/101,261, Mar. 1, 1999, Pat. No. Des. 416,315.

### Foreign Application Priority Data

Sep. 1, 1998 [JP] Japan ..... 10-24935  
Sep. 29, 1998 [JP] Japan ..... 10-27587

[51] **LOC (7) Cl.** ..... **23-04**

[52] **U.S. Cl.** ..... **D23/351; D23/371**

[58] **Field of Search** ..... D23/351-354,  
D23/371, 381, 385, 387, 389; 416/247 R;  
454/343, 346, 234, 292; 62/262, 263, DIG. 16,  
259.1; D25/153, 155; 52/663, 673

### References Cited

#### U.S. PATENT DOCUMENTS

D. 330,585 10/1992 Saito et al ..... D23/351

### [57] CLAIM

The ornamental design for an air conditioner, as shown and described.

### DESCRIPTION

FIG. 1 is a perspective view of the bottom, front and one side of an air conditioner showing my new design;

FIG. 2 is a front elevational view thereof, the rear elevational view being a mirror image thereof;

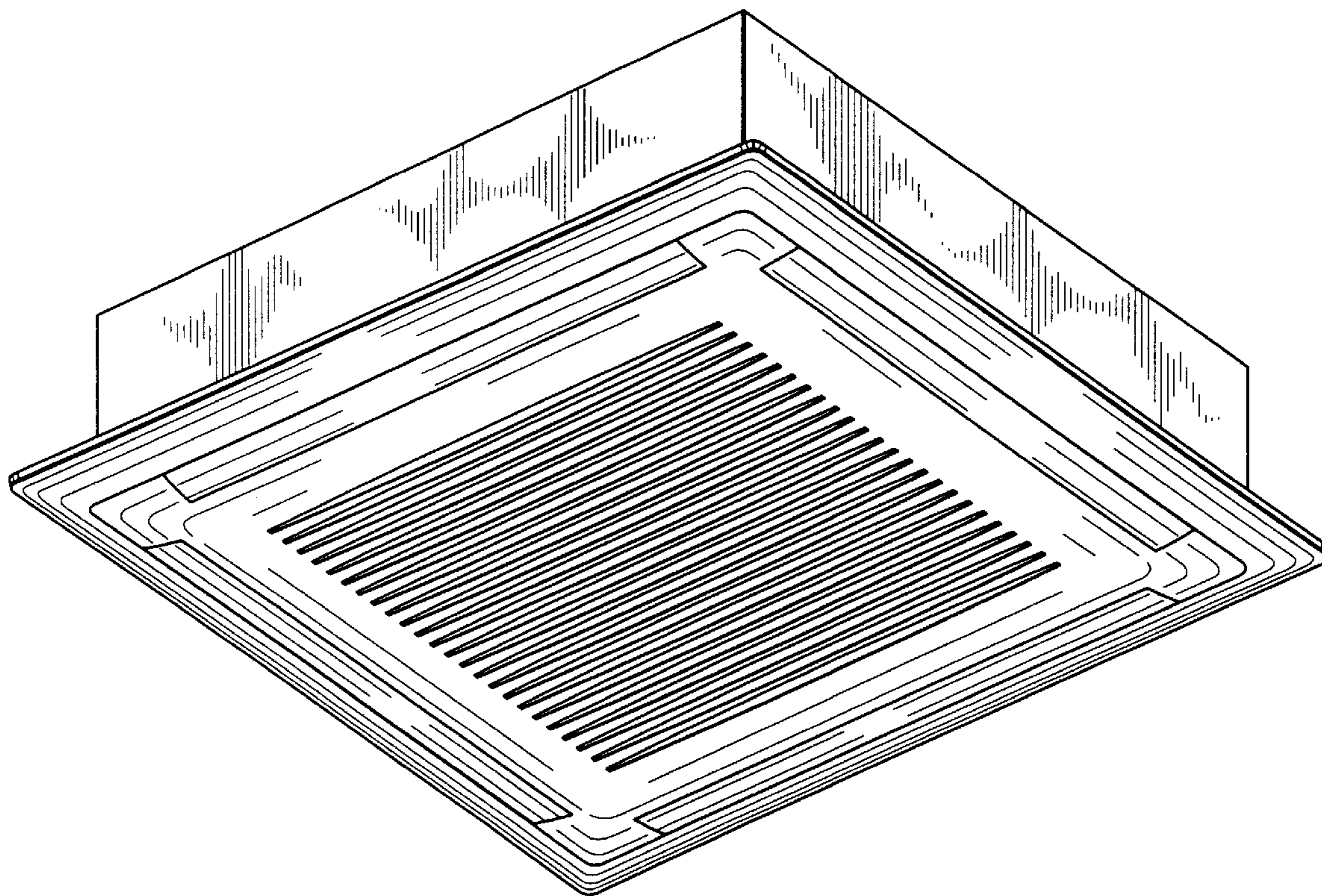
FIG. 3 is a bottom plan view thereof;

FIG. 4 is a side elevational view of one side, the opposite side being a mirror image thereof;

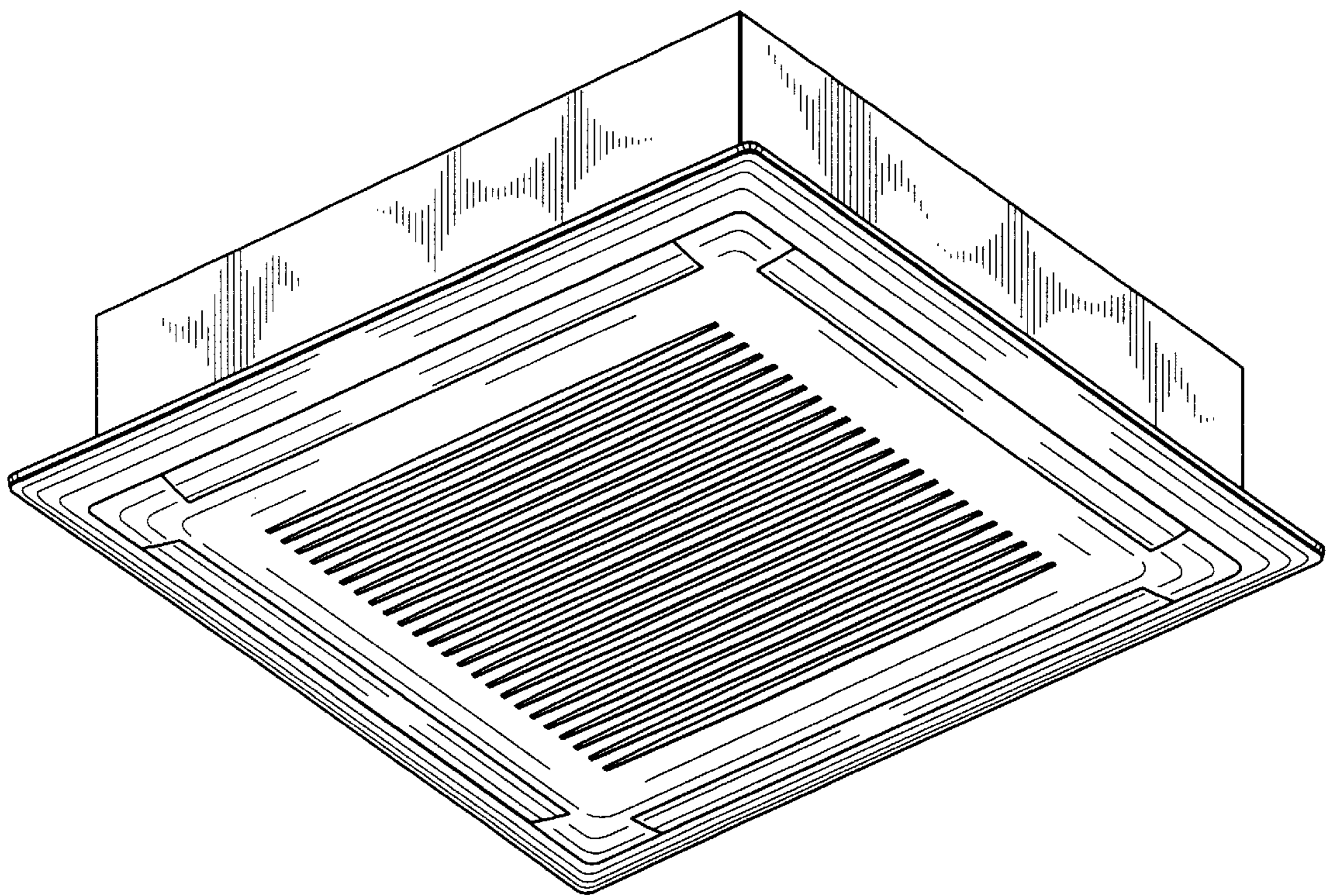
FIG. 5 is a top plan view thereof; and,

FIG. 6 is a perspective view similar to FIG. 1 with the air control strips pivoted to an open position.

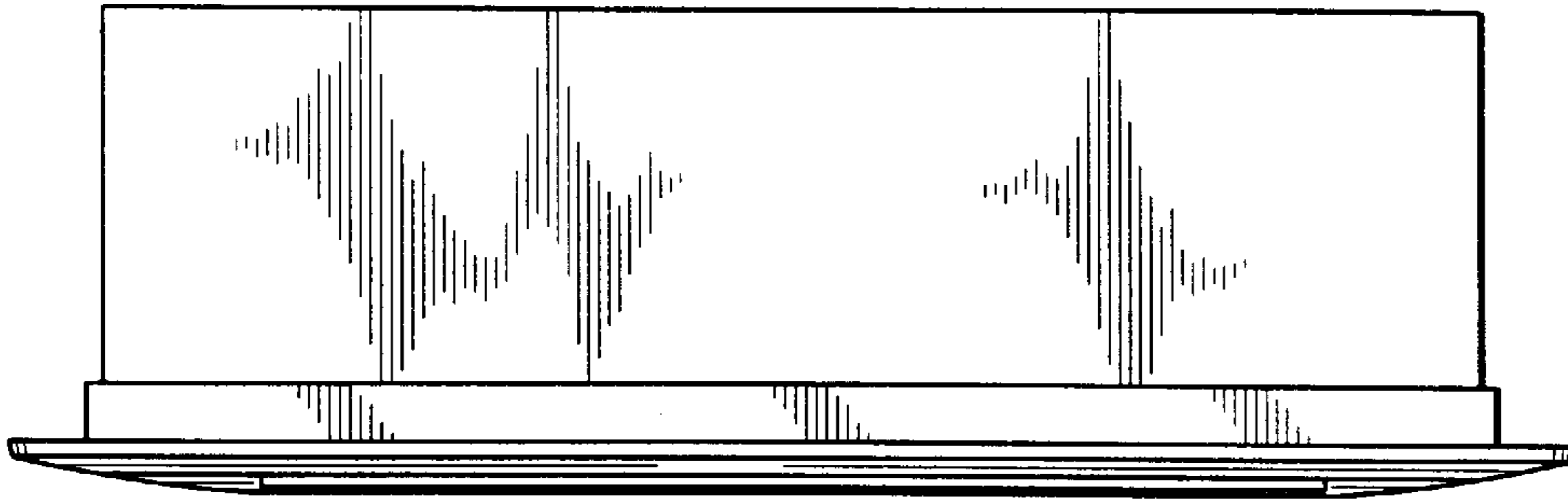
**1 Claim, 4 Drawing Sheets**



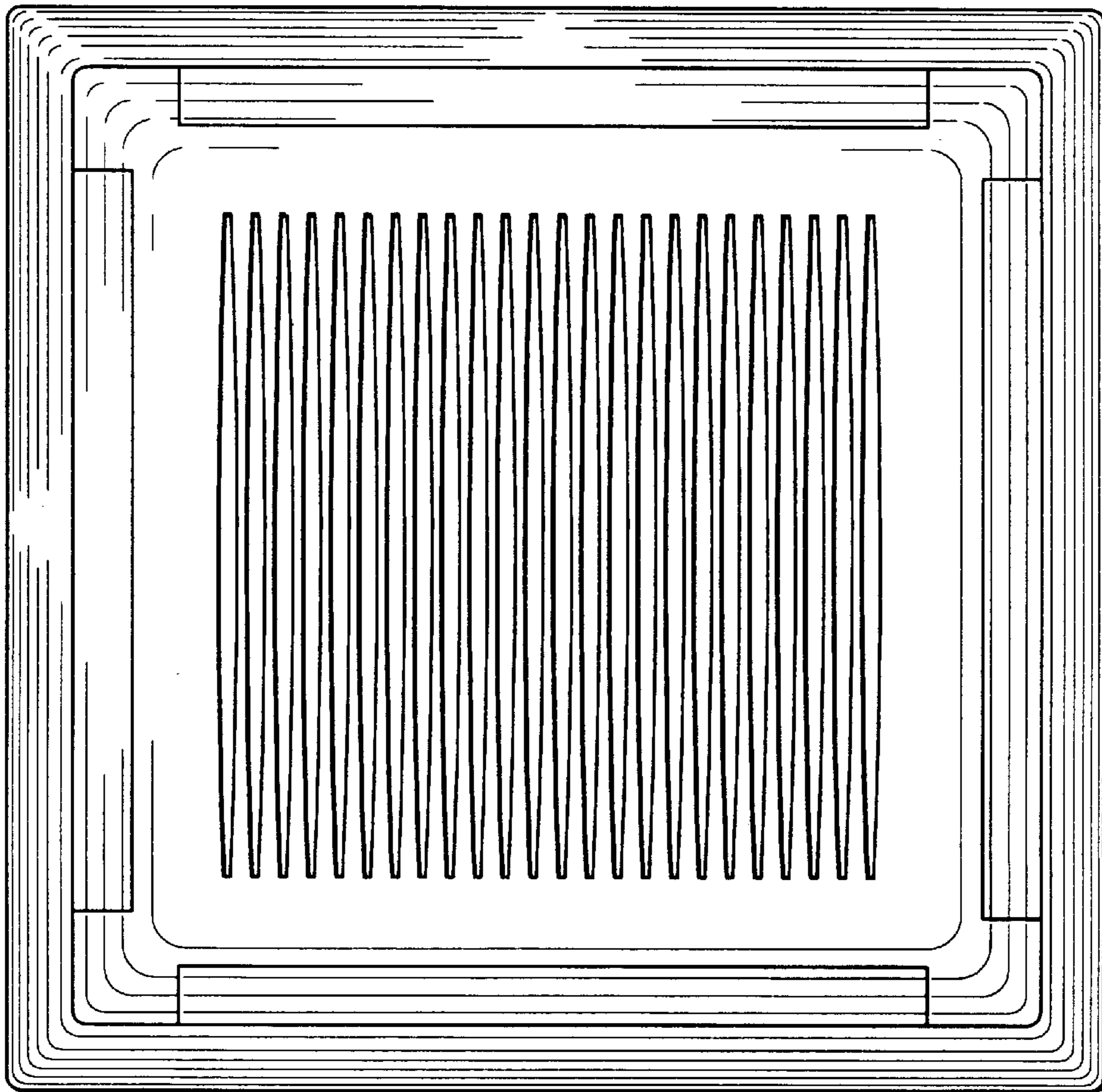
*FIG. 1*



*FIG. 2*

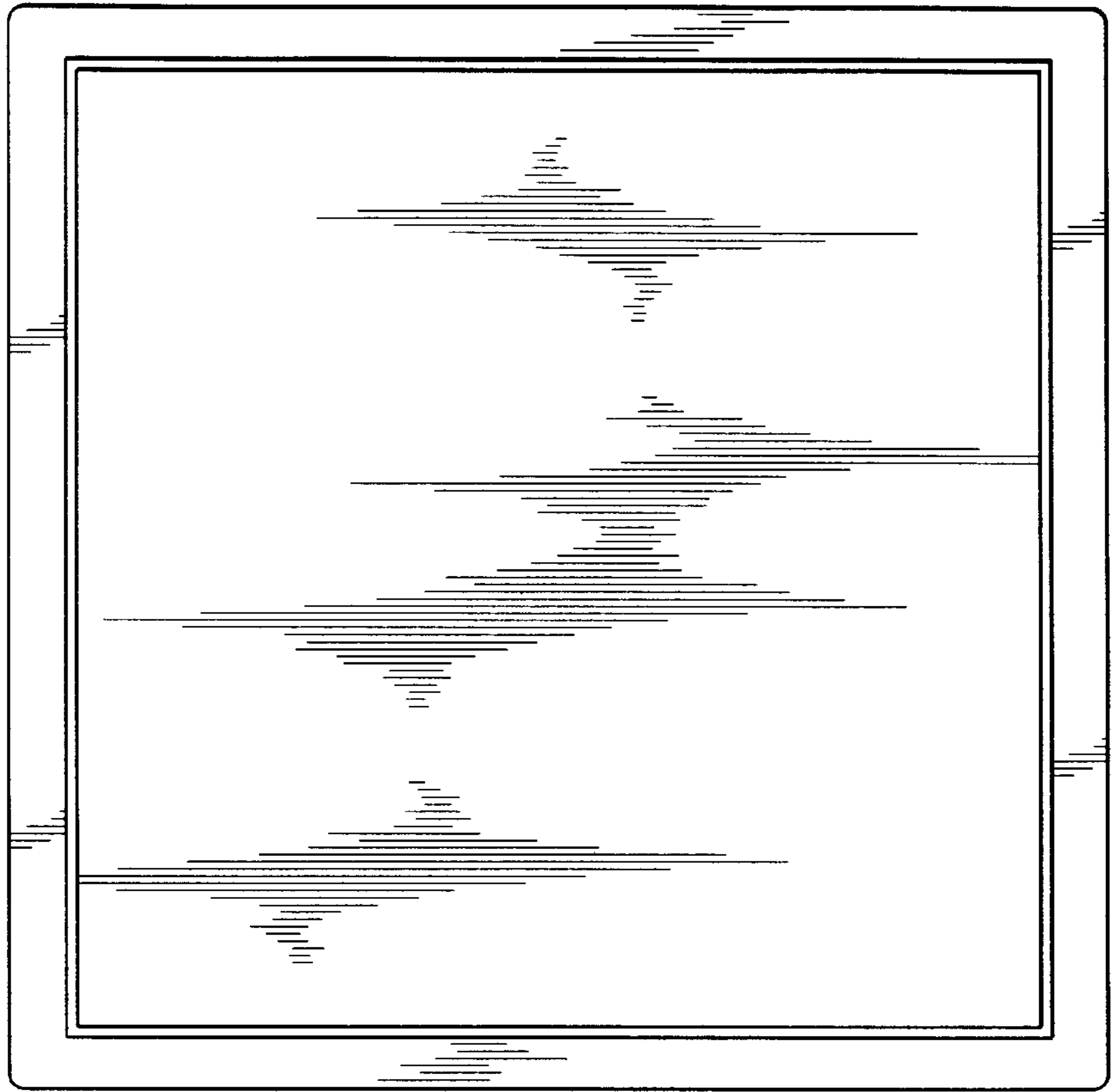


*FIG. 3*

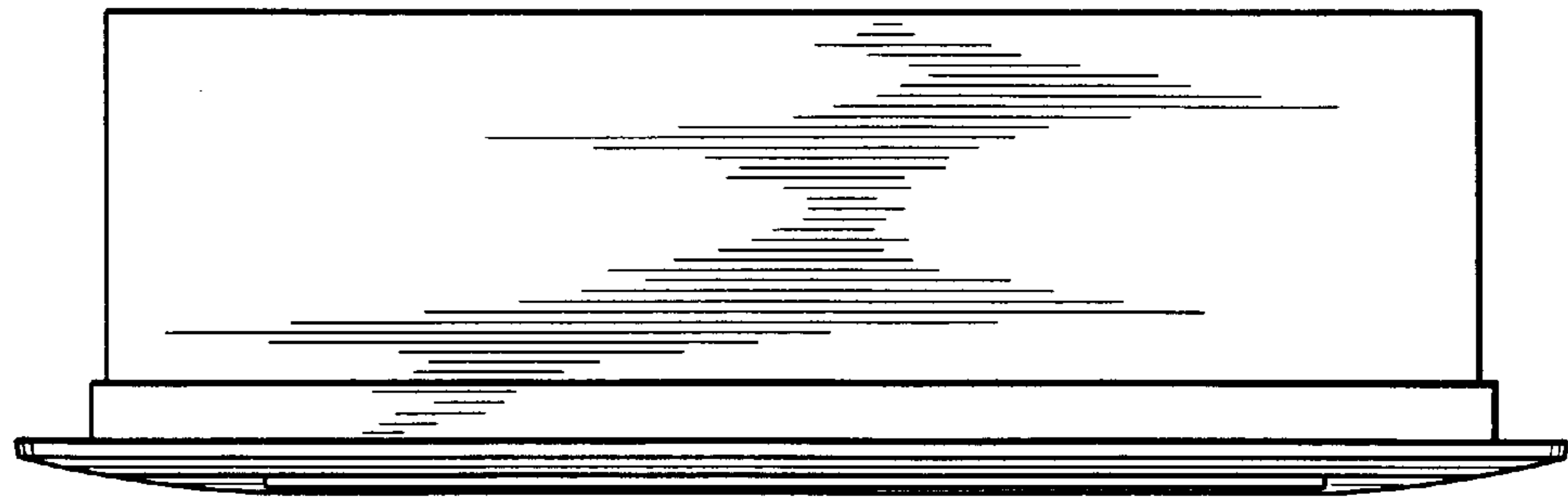




**FIG. 5**



**FIG. 4**



*FIG. 6*

