



US00D426291S

United States Patent [19] Brunner

[11] **Patent Number: Des. 426,291**
[45] **Date of Patent: ** Jun. 6, 2000**

[54] **FIREPLACE INSERT**

D. 384,406 9/1997 Newman et al. D23/343

[76] Inventor: **Ulrich Brunner**, Stadl MsNr. 2,
D-94424, Arnstorf, Germany

Primary Examiner—Lisa Lichtenstein
Attorney, Agent, or Firm—Peter E. Rosden

[**] Term: **14 Years**

[57] CLAIM

[21] Appl. No.: **29/099,565**

The ornamental design for a fireplace insert, as shown and described.

[22] Filed: **Jan. 22, 1999**

Related U.S. Application Data

DESCRIPTION

[62] Division of application No. 29/087,971, May 13, 1998, Pat. No. Des. 410,537.

FIG. 1 is a front perspective view of the fireplace insert.

[51] **LOC (7) Cl.** **23-03**

FIG. 2 is a front view thereof.

[52] **U.S. Cl.** **D23/342; D23/343; D23/344; D23/348**

FIG. 3 is an enlarged cross-sectional view taken along line 3-3 in FIG. 1.

[58] **Field of Search** D23/342-348,
D23/350; 126/500, 544, 512

FIG. 4 is a top plan view thereof; and,

FIG. 5 is a side elevation view thereof, the opposite side being a mirror image of that shown.

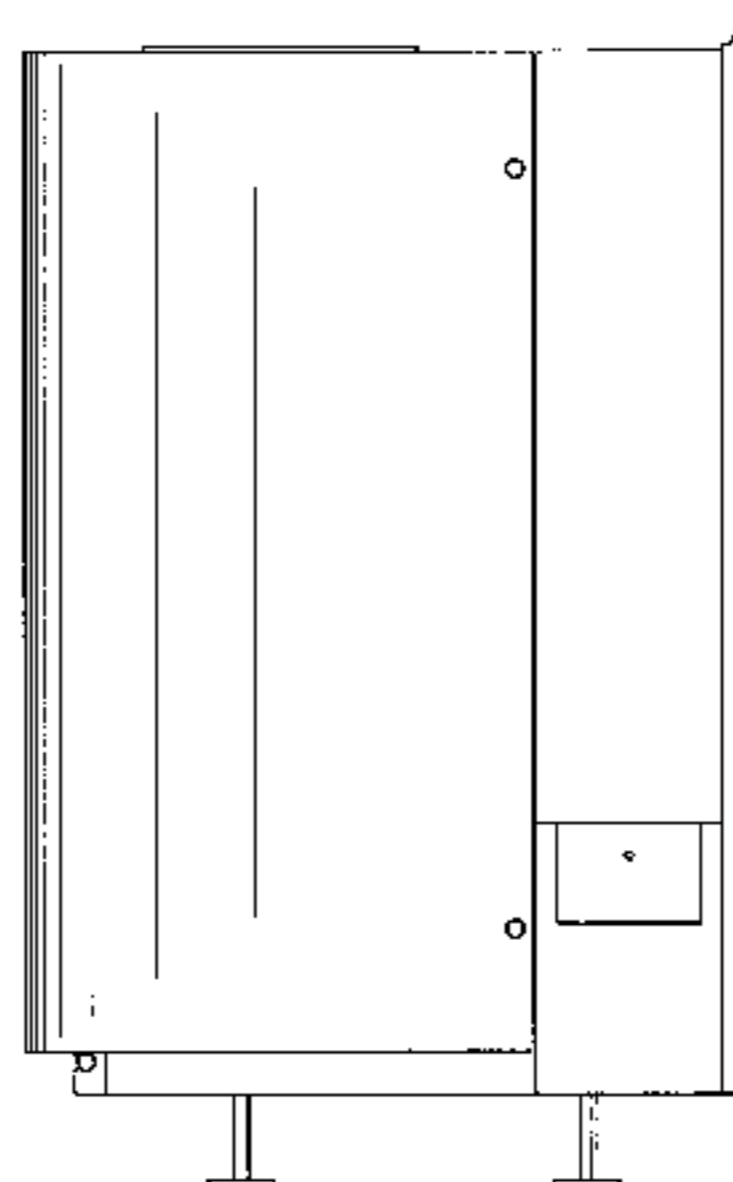
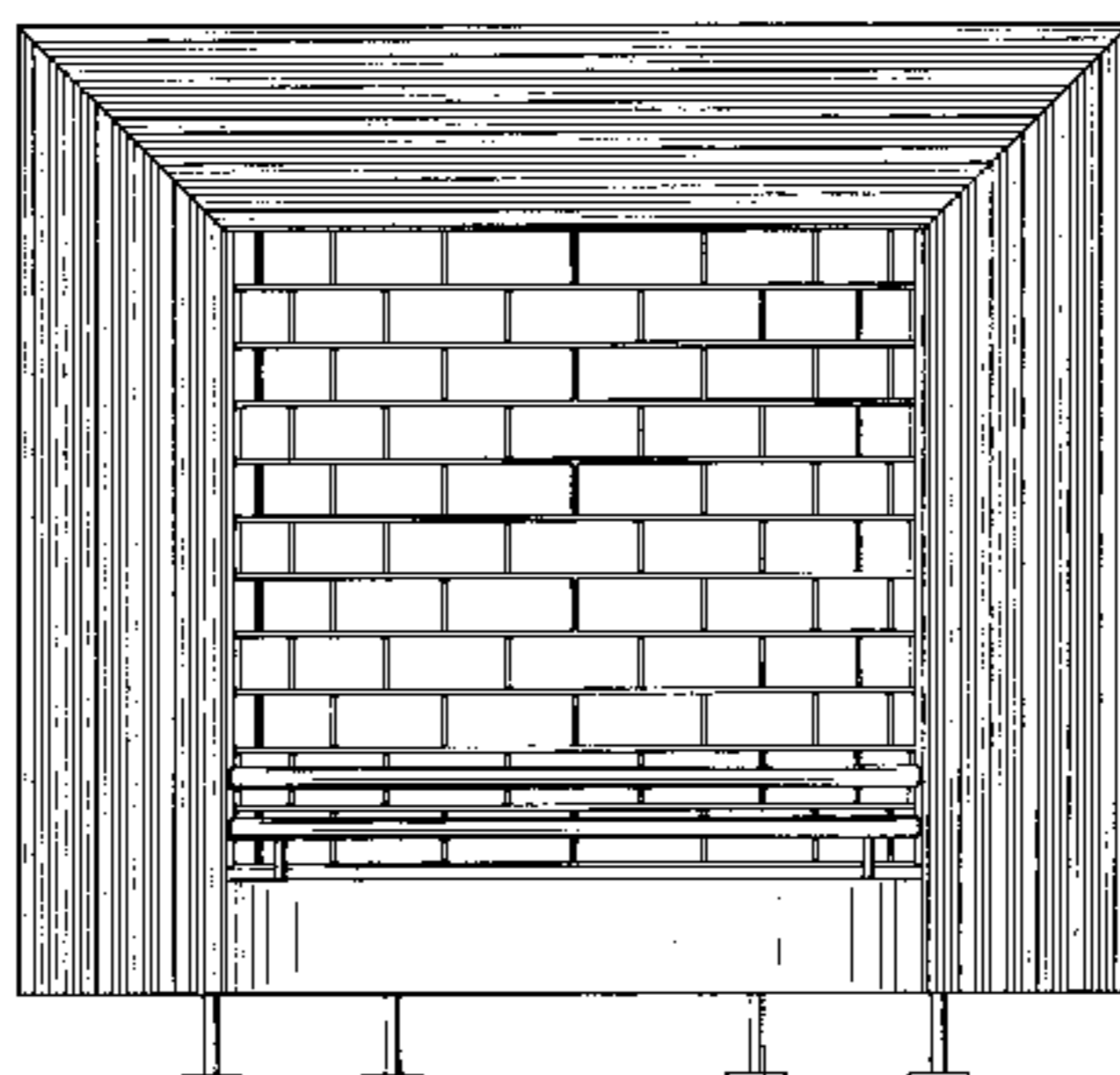
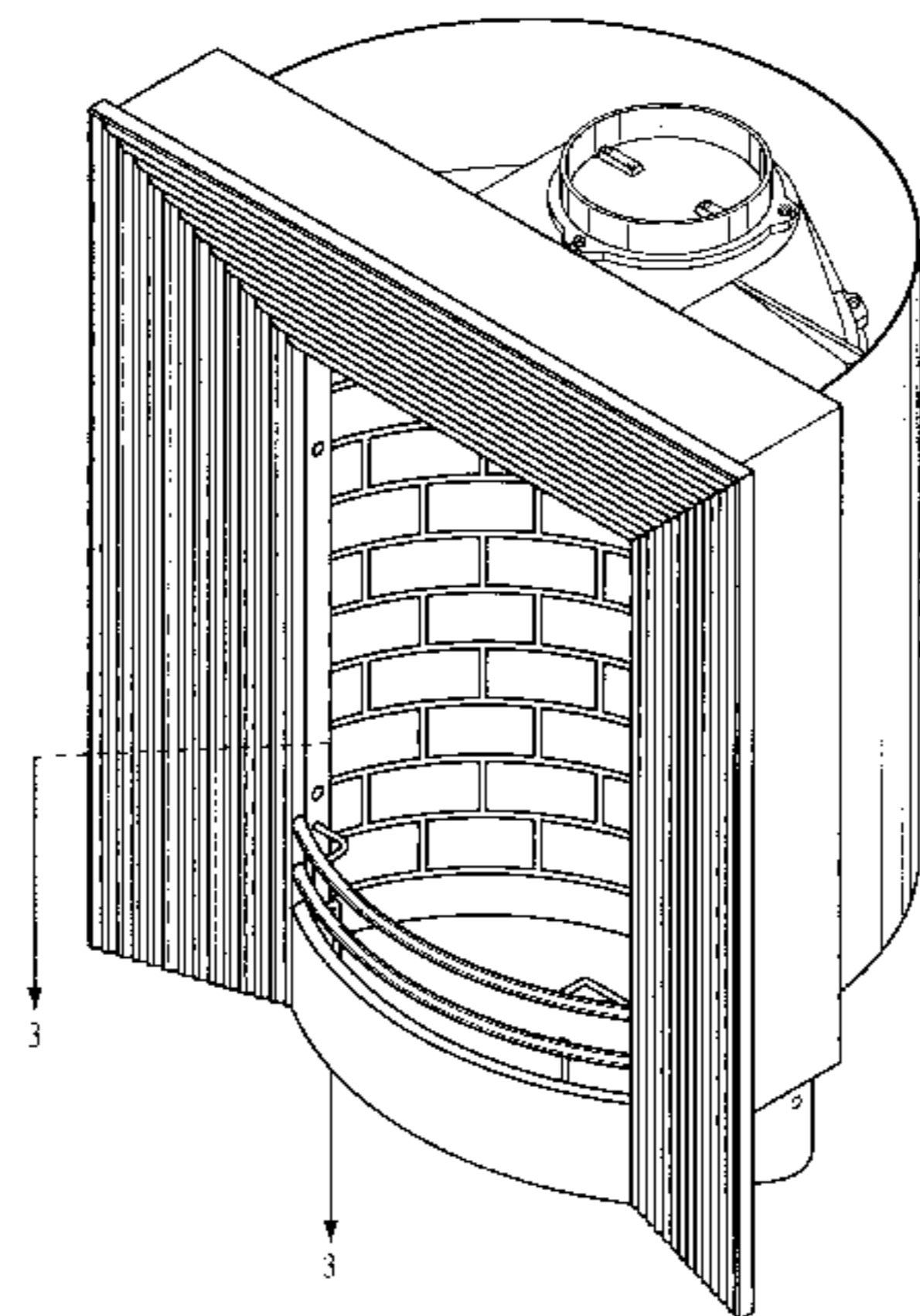
The rear of the design is not being claimed.

[56] References Cited

U.S. PATENT DOCUMENTS

D. 301,924 6/1989 Craver D23/344

1 Claim, 3 Drawing Sheets



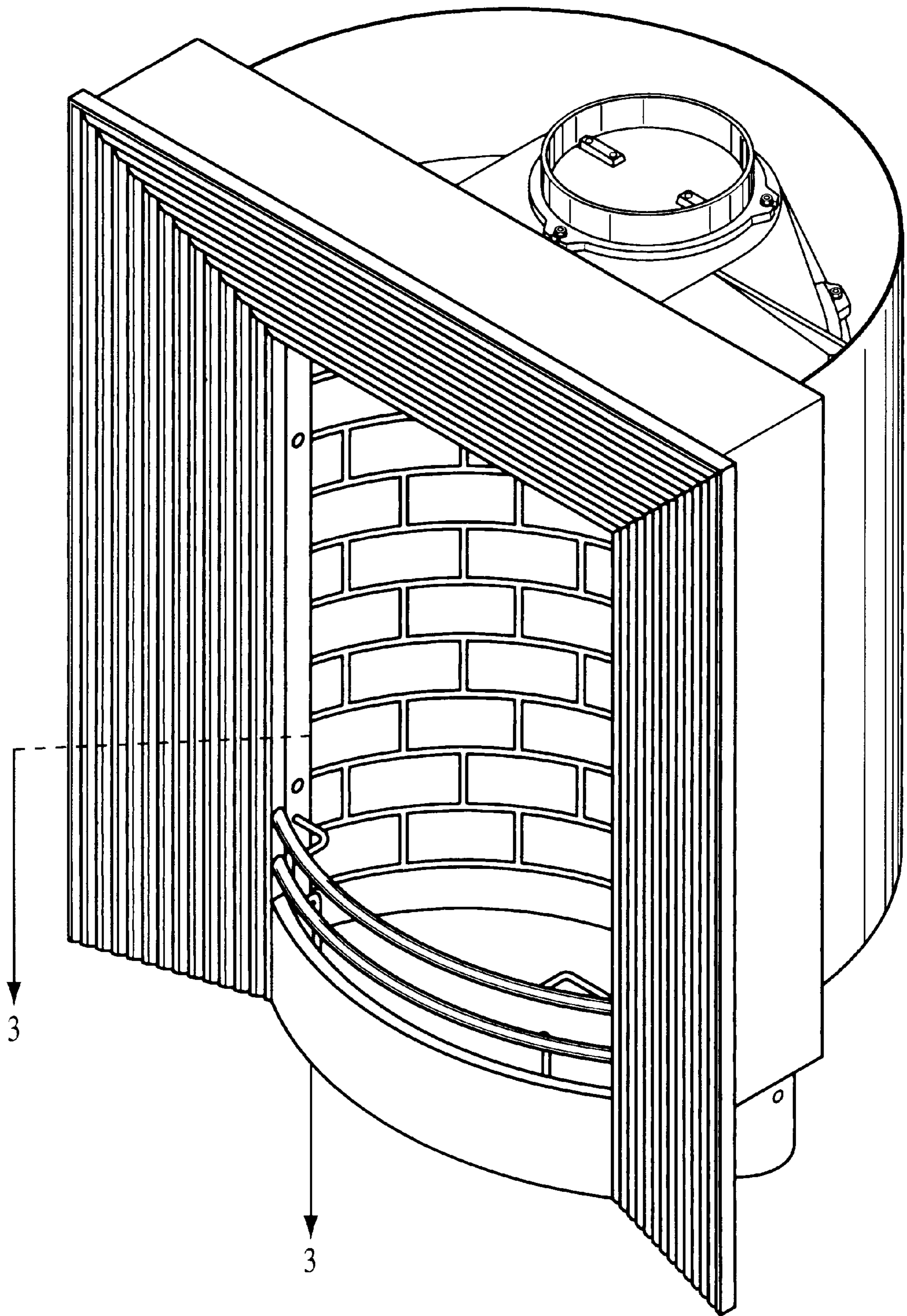


FIG. 1

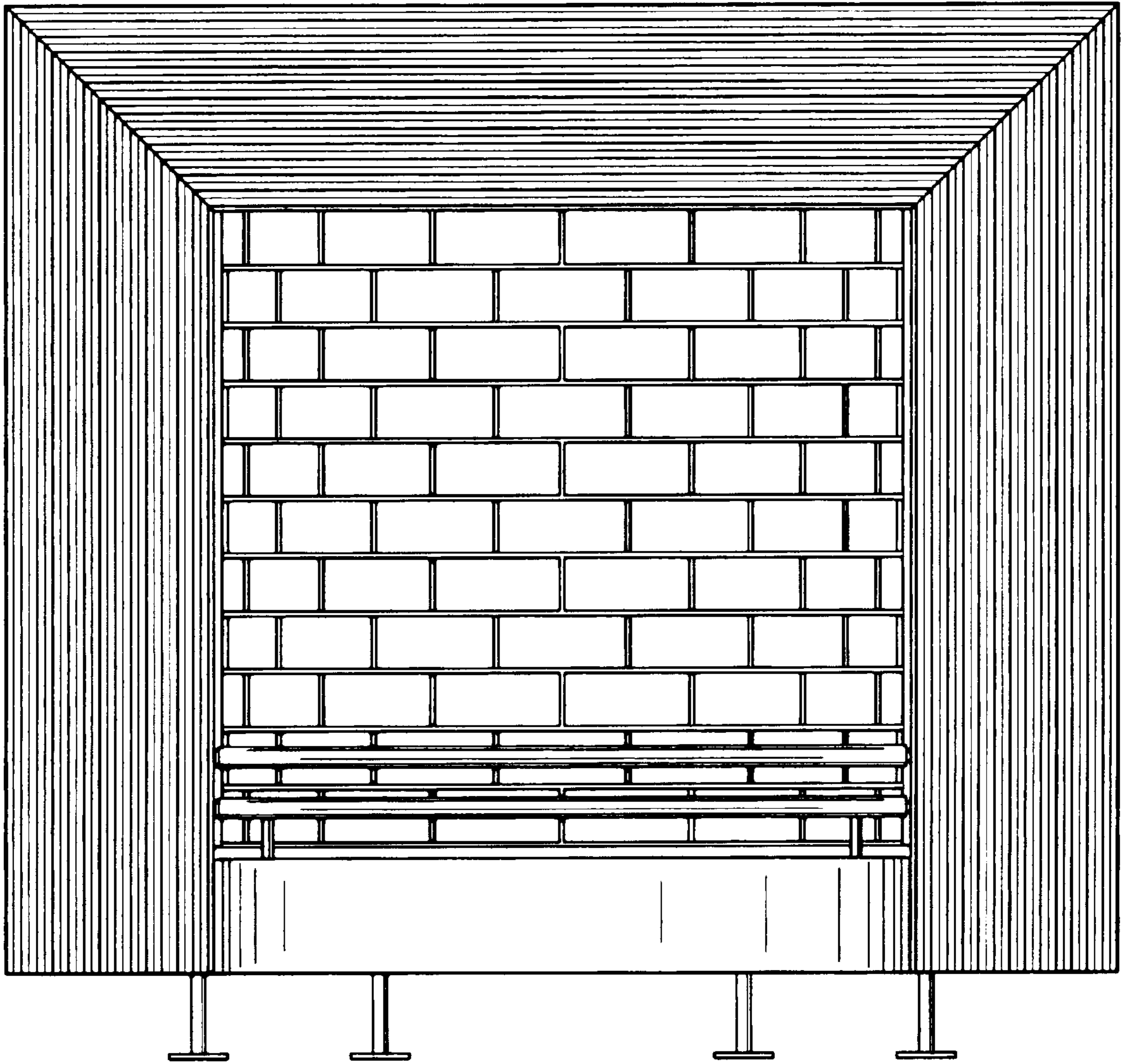


FIG. 2

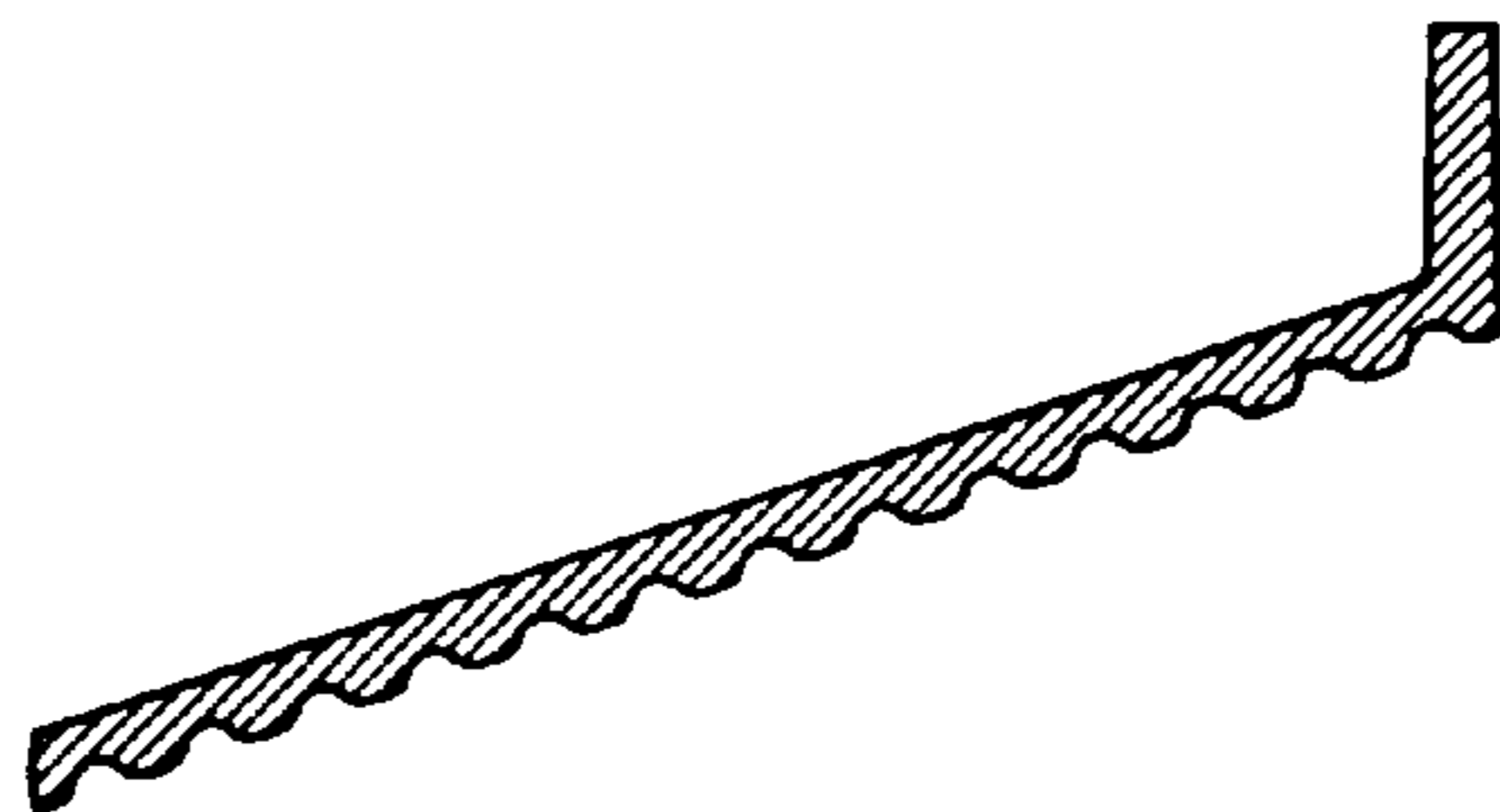


FIG. 3

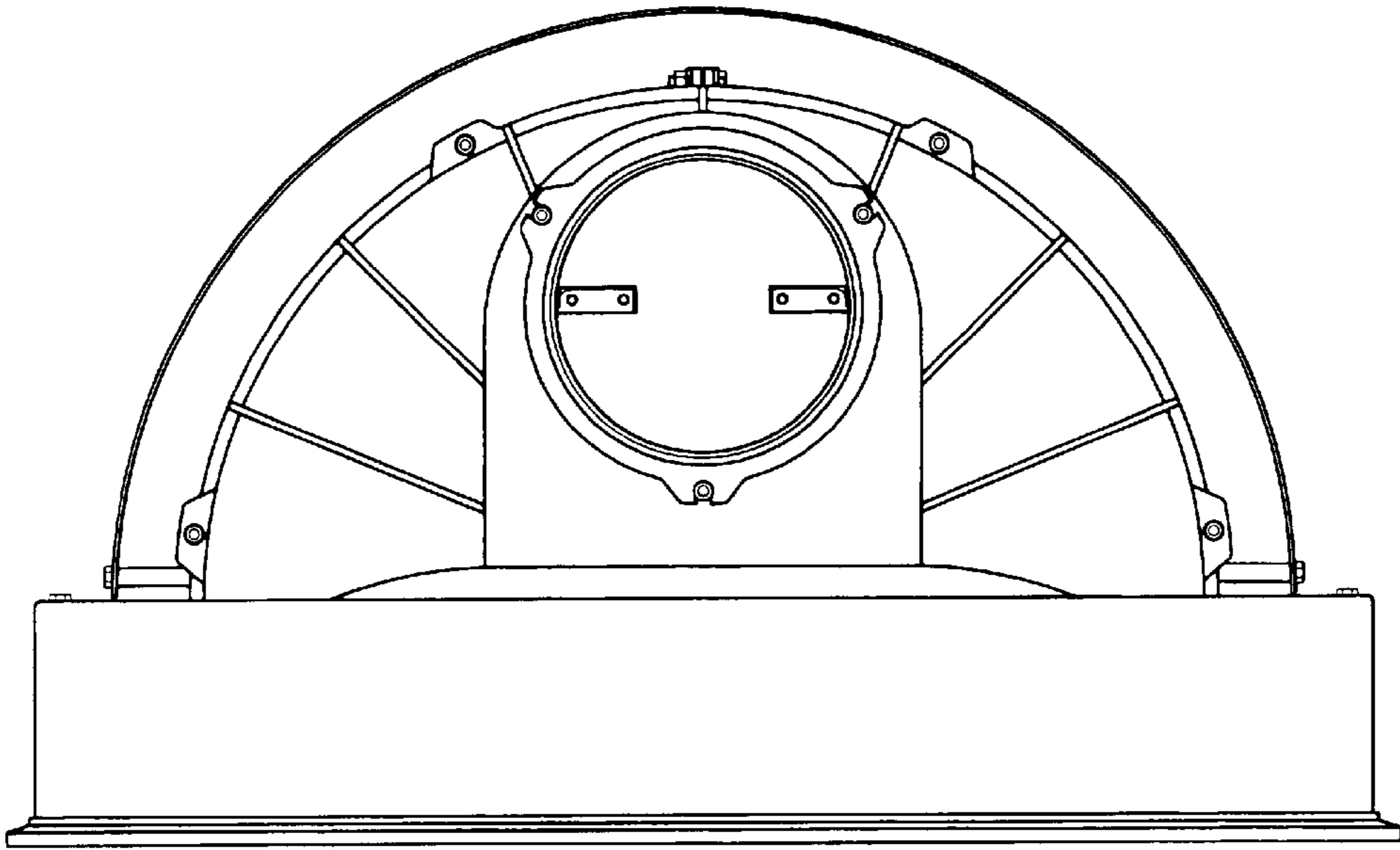


FIG. 4

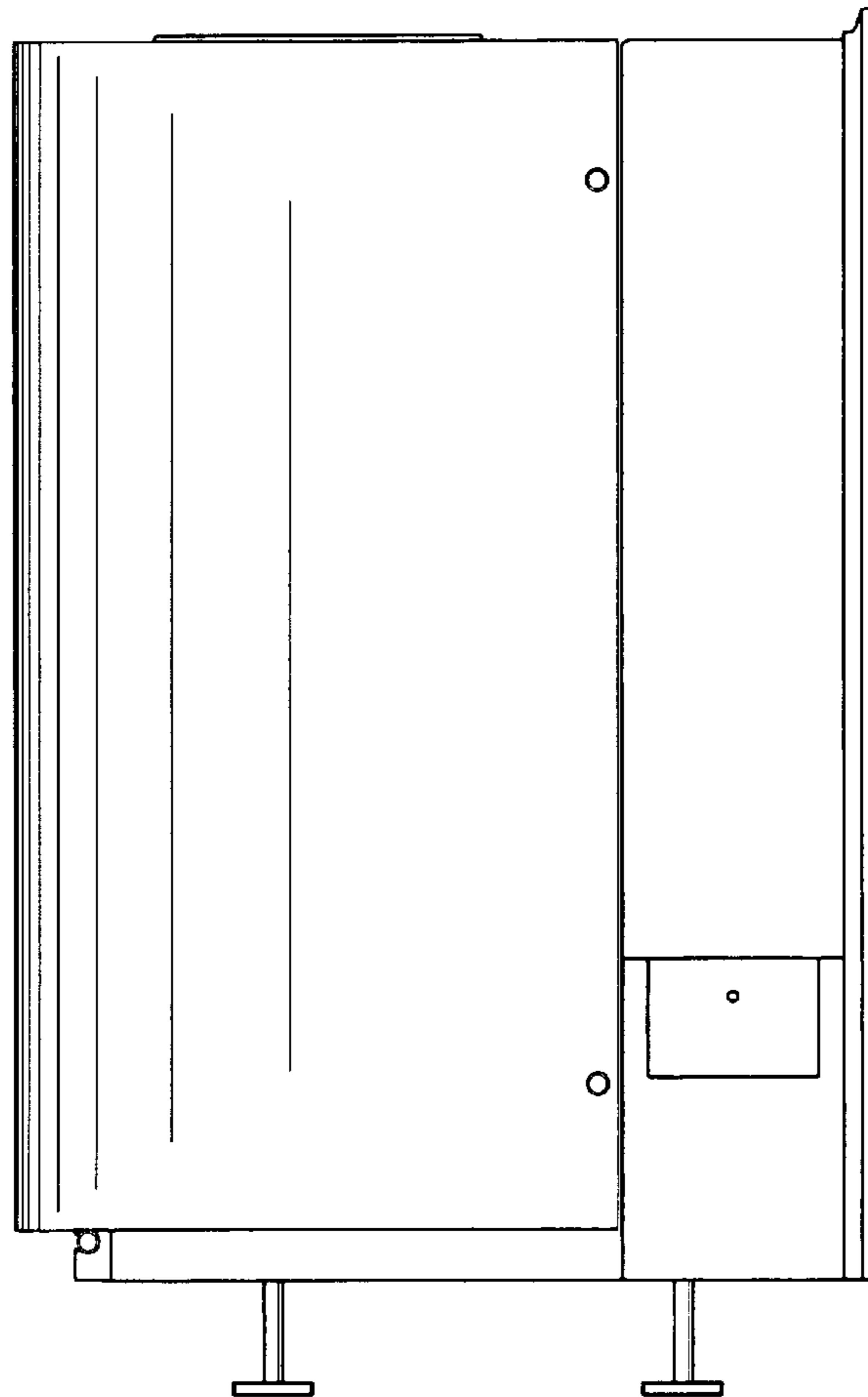


FIG. 5