



US00D426290S

# United States Patent [19]

Haug et al.

[11] Patent Number: **Des. 426,290**

[45] Date of Patent: **\*\* Jun. 6, 2000**

[54] **SHOWER HOLDER**

[75] Inventors: **Andreas Haug; Thomas Schönherr**, both of Stuttgart, Germany; **Thomas KÜchler**, Zell am See, Austria

[73] Assignee: **Hansgrohe AG**, Schiltach, Germany

[\*\*] Term: **14 Years**

[21] Appl. No.: **29/106,395**

[22] Filed: **Jun. 15, 1999**

[30] **Foreign Application Priority Data**

Dec. 16, 1998 [DE] Germany ..... 498 12 327

[51] **LOC (7) Cl.** ..... **23-02**

[52] **U.S. Cl.** ..... **D23/304**

[58] **Field of Search** ..... D23/303-313, D23/213, 214; D6/550; D8/363; 4/597, 567-570, 601, 615, 605; 248/75, 218.4

[56] **References Cited**

**U.S. PATENT DOCUMENTS**

- D. 296,582 7/1988 Haug et al. .... D23/304
- D. 374,167 10/1996 Scholl ..... D8/363
- D. 391,629 3/1998 Gottwald ..... D23/304
- D. 392,485 3/1998 Gottwald ..... D6/550
- D. 393,390 4/1998 Gottwald ..... D6/550
- D. 403,754 1/1999 Gottwald ..... D23/304

- D. 412,563 8/1999 Milrud ..... D23/303
- D. 416,992 11/1999 Neufeld et al. .... D23/304
- 3,826,454 7/1974 Zieger ..... 248/75
- 4,719,654 1/1988 Blessing ..... 4/597
- 5,277,391 1/1994 Haug et al. .... 248/218.4
- 5,632,049 5/1997 Chen ..... 4/570
- 5,704,080 1/1998 Kuhne ..... 4/605

**OTHER PUBLICATIONS**

hansgrohe catalogue '97, pp. 30-31, Jan. 1997.  
Grohetec Brausen-Programm, pp. 26-27, Mar. 1997.

*Primary Examiner*—Eric Watterson  
*Attorney, Agent, or Firm*—Duane, Morris & Heckscher LLP

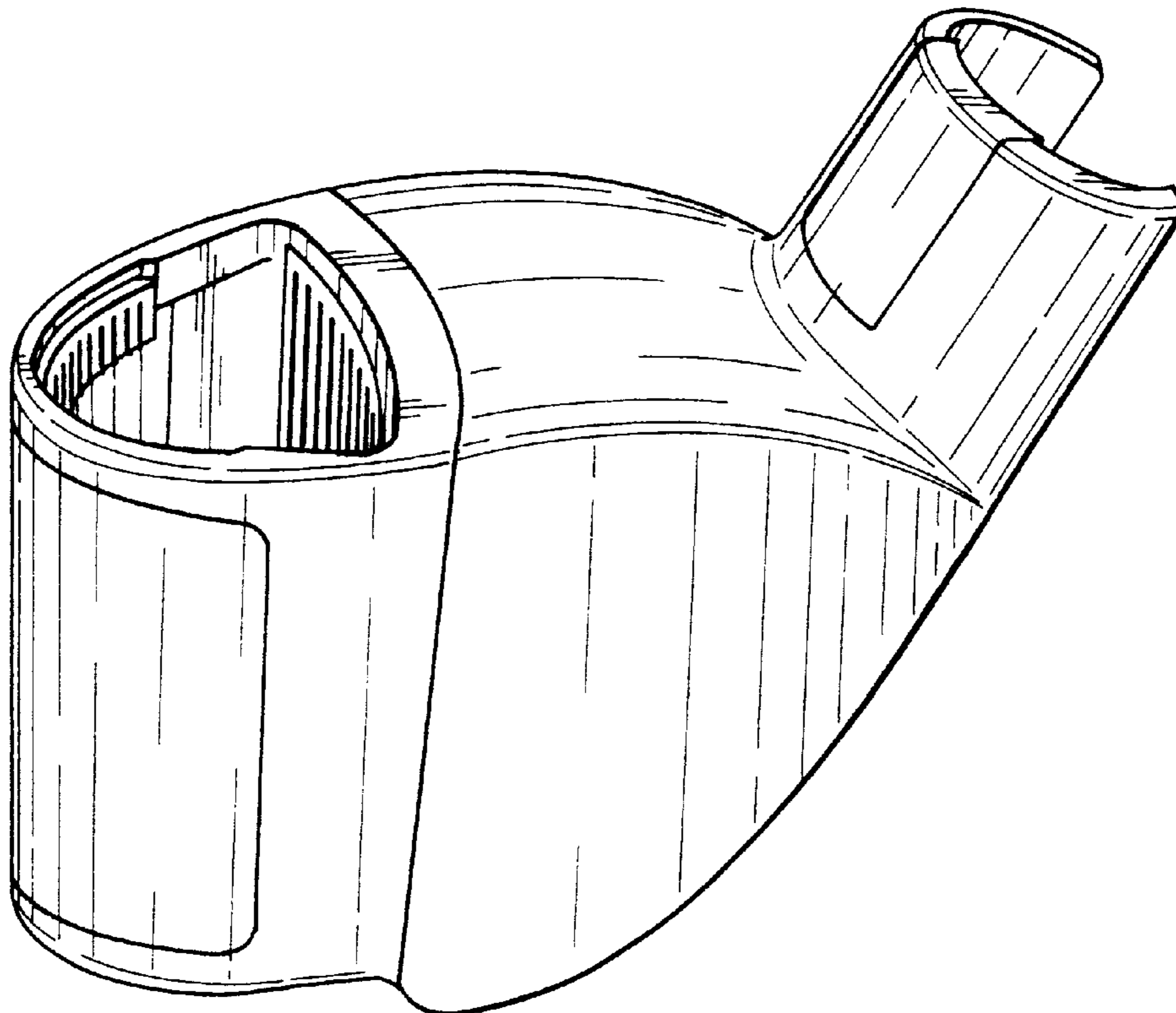
[57] **CLAIM**

The ornamental design for a shower holder, as shown and described.

**DESCRIPTION**

FIG. 1 is a side perspective view of a shower holder showing our new design;  
FIG. 2 is a side perspective view in an open position;  
FIG. 3 is a side elevational view, the opposite side being a mirror image;  
FIG. 4 is a bottom plan view thereof;  
FIG. 5 is a top plan view thereof;  
FIG. 6 is a rear elevation view thereof; and,  
FIG. 7 is a front elevation view thereof.

**1 Claim, 3 Drawing Sheets**



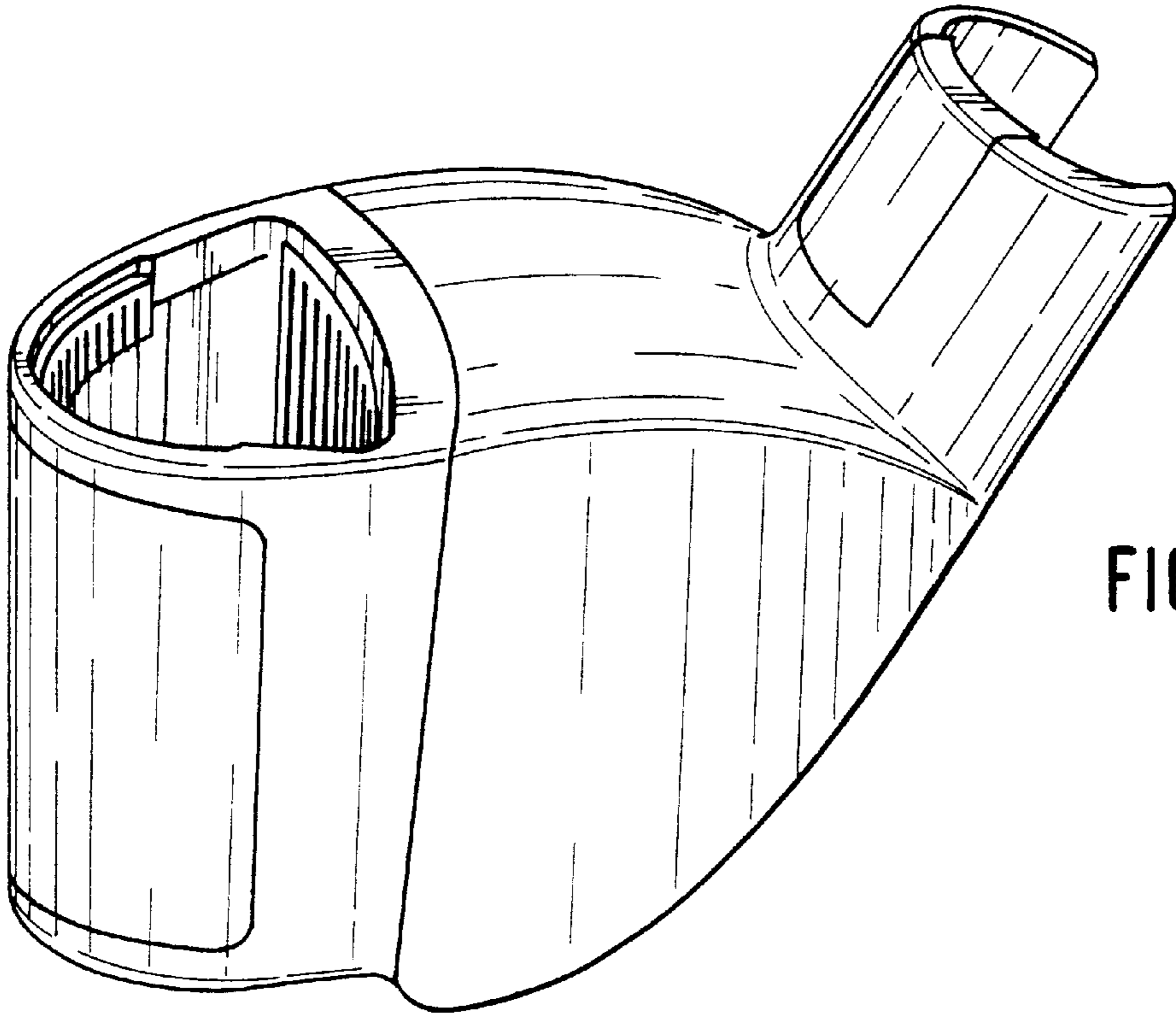


FIG. 1

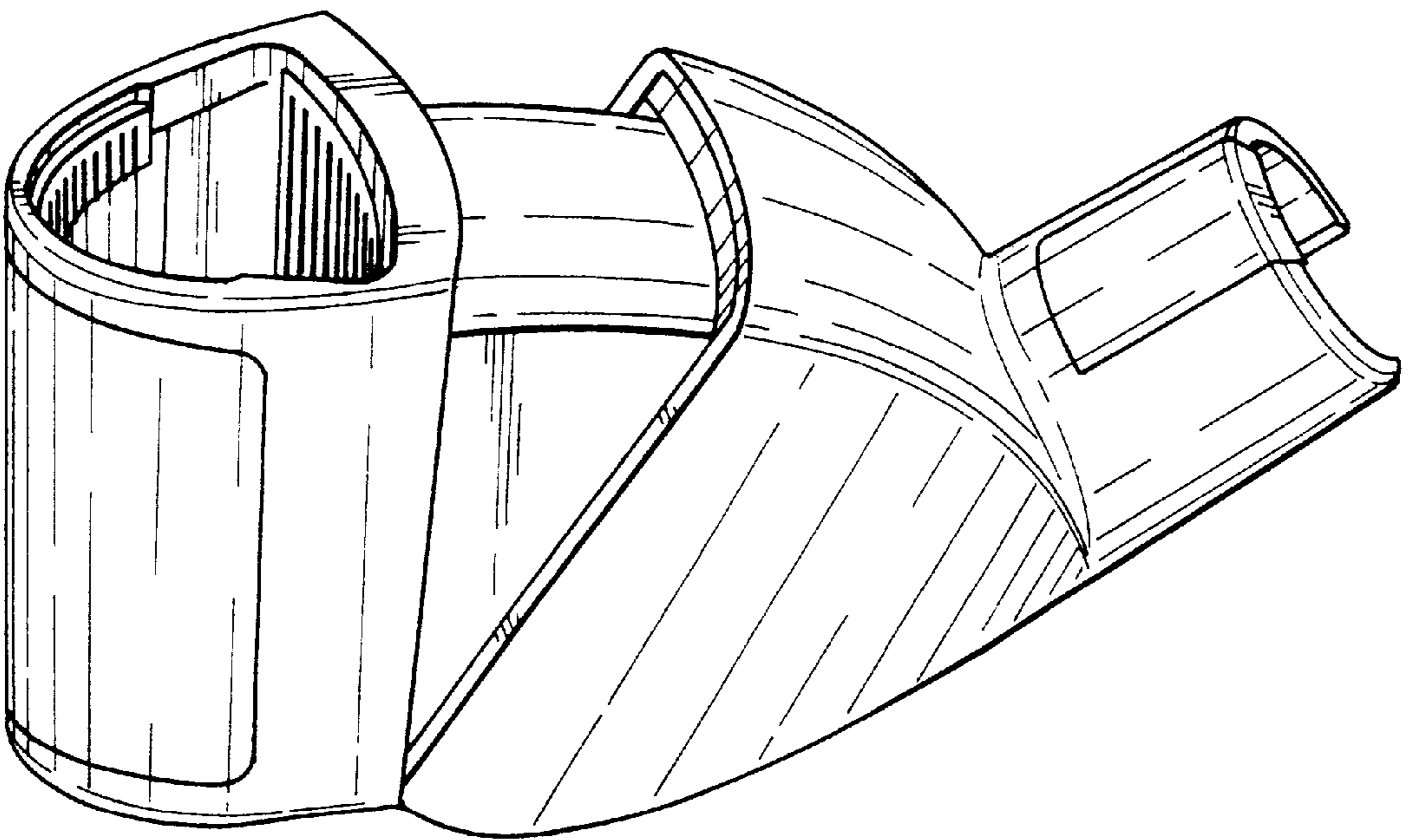


FIG. 2

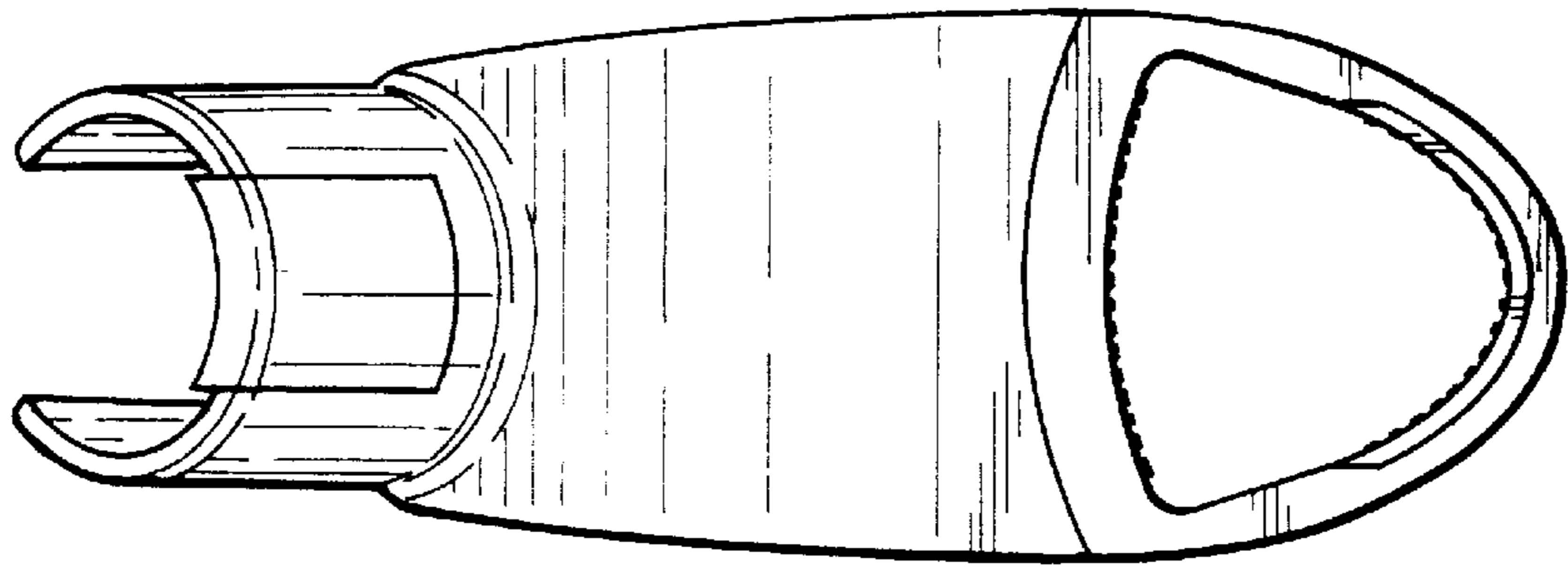


FIG. 5

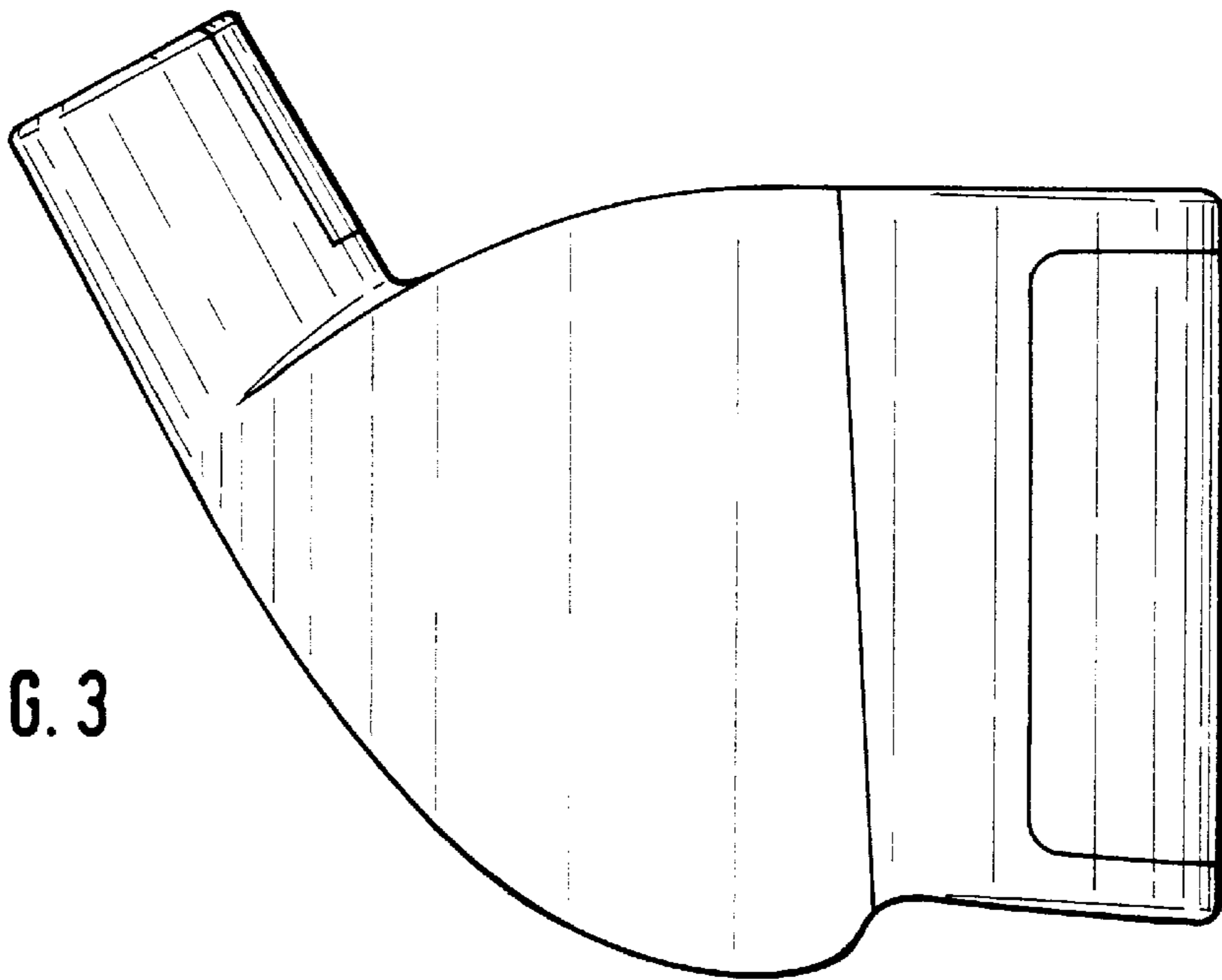
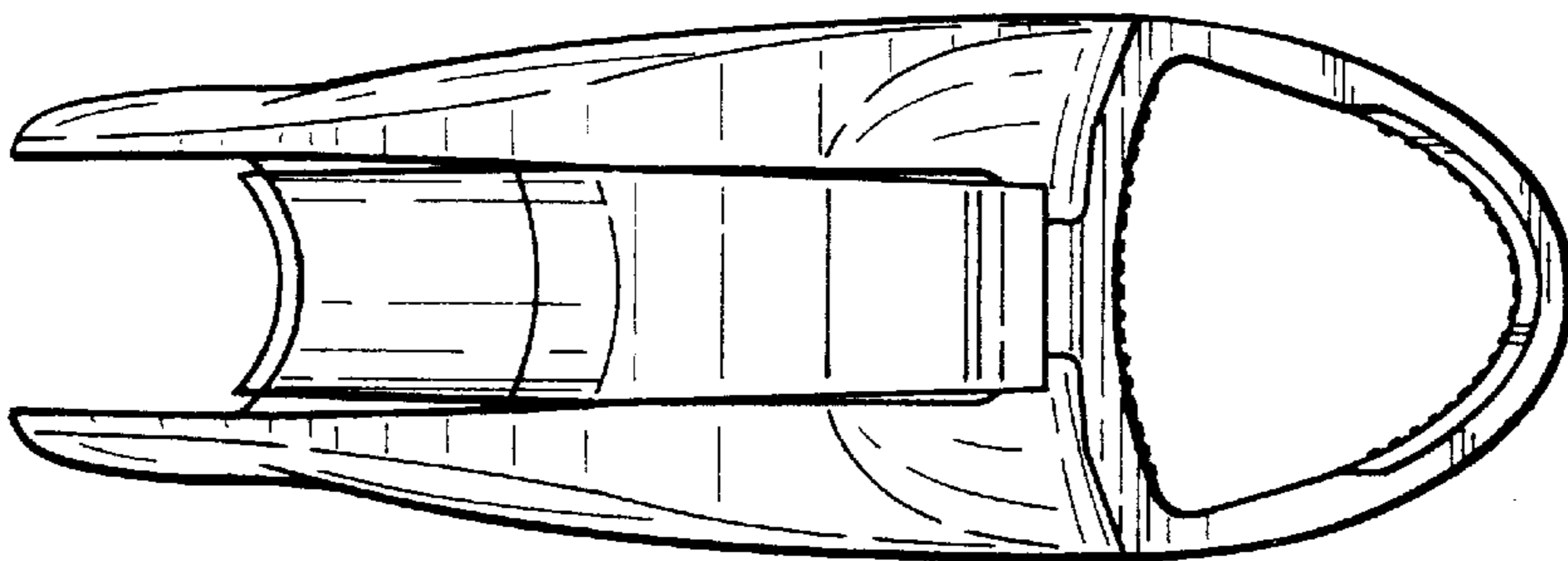


FIG. 3

FIG. 4



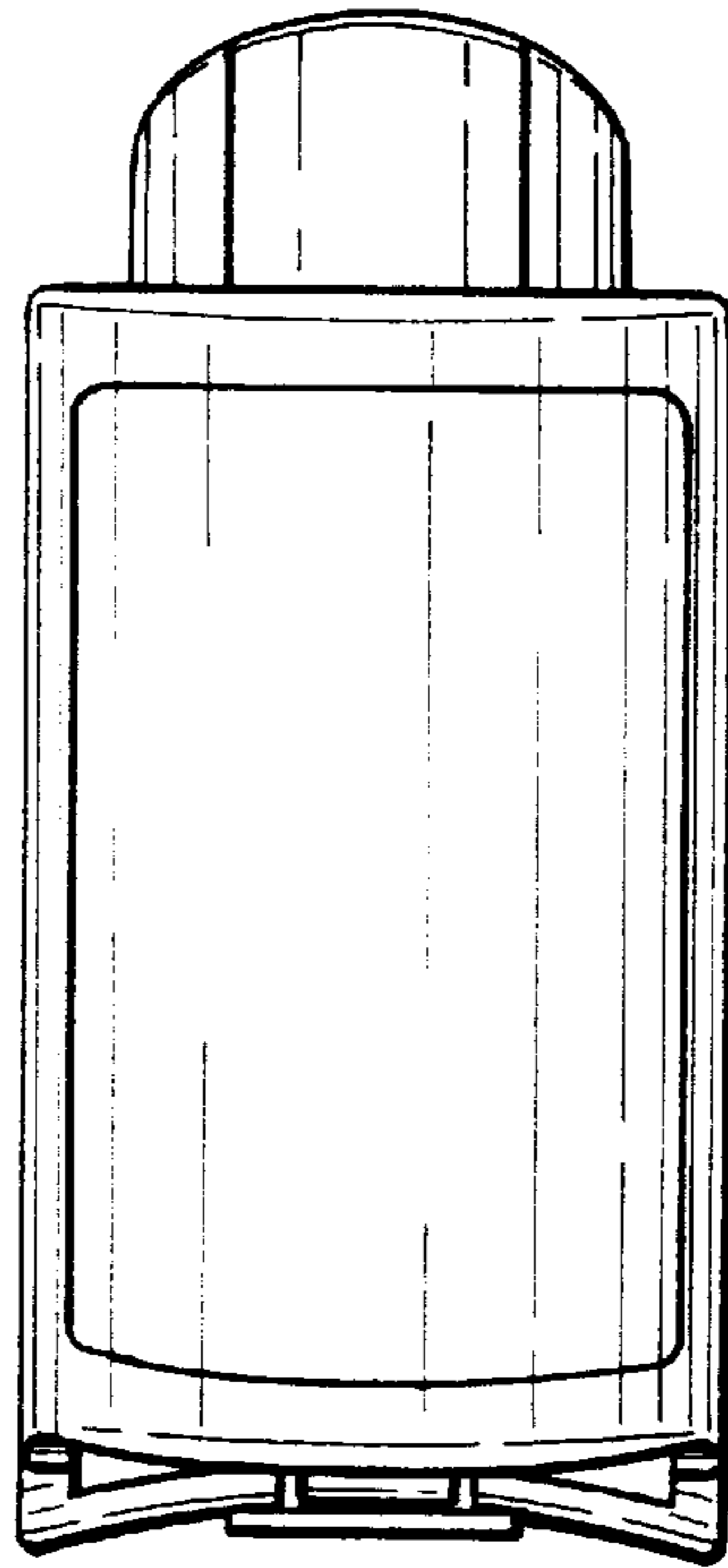


FIG. 6

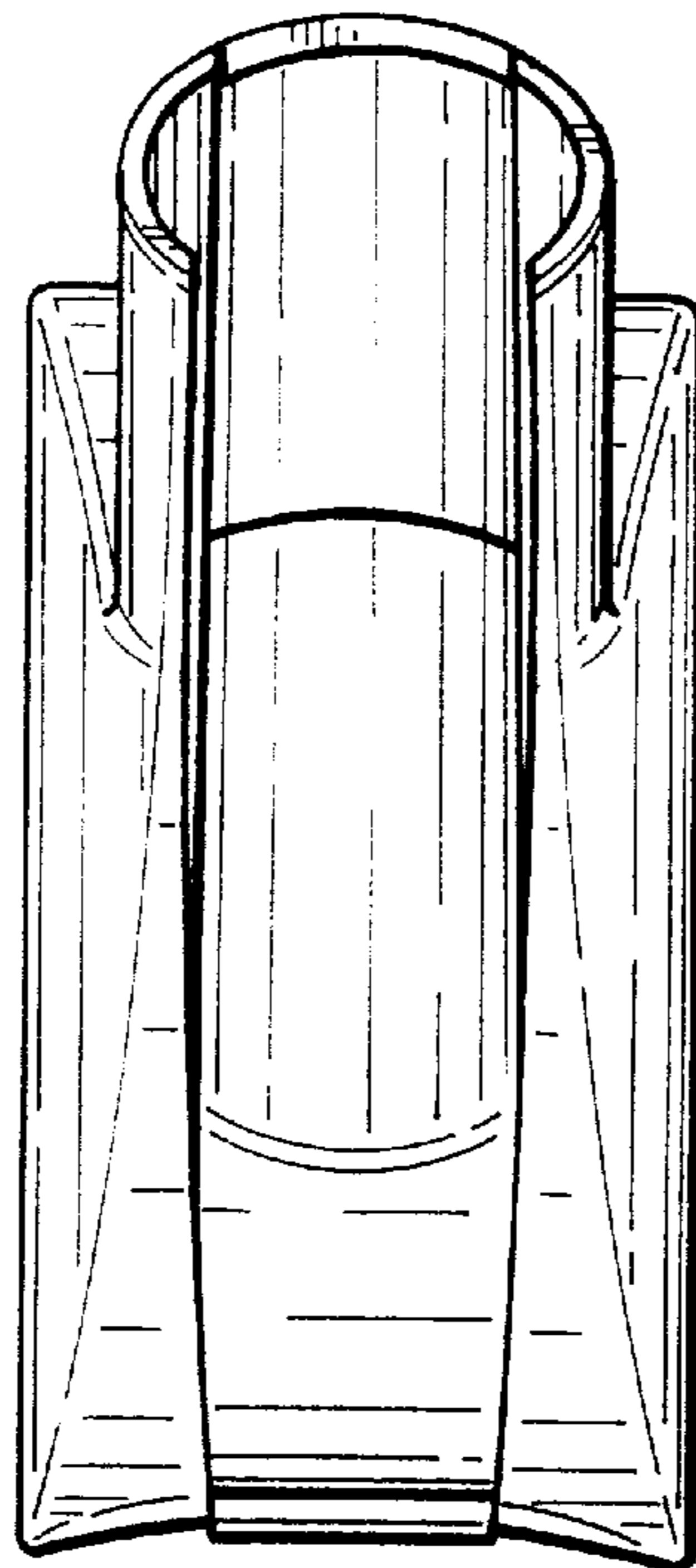


FIG. 7