



US00D426289S

United States Patent [19] Levine

[11] **Patent Number: Des. 426,289**
[45] **Date of Patent: ** Jun. 6, 2000**

[54] **FAUCET HANDLE FIXTURE**

[76] Inventor: **Howard Levine**, 28 Stony Hill Dr.,
Morganville, N.J. 07751

[**] Term: **14 Years**

[21] Appl. No.: **29/097,227**

[22] Filed: **Dec. 2, 1998**

[51] **LOC (7) Cl.** **23-02**

[52] **U.S. Cl.** **D23/303; D23/242**

[58] **Field of Search** **D23/238-243,**
D23/250-257; 4/675-678; 137/801

[56] **References Cited**

U.S. PATENT DOCUMENTS

- D. 62,740 7/1923 Muend .
- D. 62,864 8/1923 Benjamin .
- D. 67,520 6/1925 Harper .
- D. 72,505 4/1927 Van Eweyk D23/241
- D. 77,022 11/1928 Mueller D23/241
- D. 77,024 11/1928 Mueller D23/241
- D. 78,619 5/1929 Frankenberger D23/241
- D. 80,439 2/1930 Fraser D23/241
- D. 94,760 3/1935 Hitchcock D23/241
- D. 163,545 6/1951 Smolensky D23/241
- D. 182,867 5/1958 Young D23/241
- D. 242,454 11/1976 Jones D23/241
- D. 242,455 11/1976 Jones D23/241
- D. 353,442 12/1994 Formgren D23/241

OTHER PUBLICATIONS

Barnett Catalog, pp. 103-105, 1996.

Primary Examiner—Eric Watterson
Attorney, Agent, or Firm—Dilworth & Barrese

[57] **CLAIM**

The ornamental design of a faucet handle fixture, as shown and described.

DESCRIPTION

FIG. 1 is a perspective view of a first embodiment of the faucet fixture.

FIG. 2 is a top plan view of the first embodiment of the faucet fixture.

FIG. 3 is a front elevational view of a first embodiment of the faucet fixture.

FIG. 4 is a left side view, the opposite side being a mirror image of the first embodiment of the faucet fixture, the right side view being a mirror image of the left side view.

FIG. 5 is a rear view of the first embodiment of the faucet fixture.

FIG. 6 is a bottom view of the first embodiment of the faucet fixture.

FIG. 7 is a perspective view of a second embodiment of the faucet fixture.

FIG. 8 is a top plan view of the second embodiment of the faucet fixture.

FIG. 9 is a front elevational view of the second embodiment of the faucet fixture; and,

FIG. 10 is a rear view of the second embodiment of the faucet fixture.

1 Claim, 5 Drawing Sheets

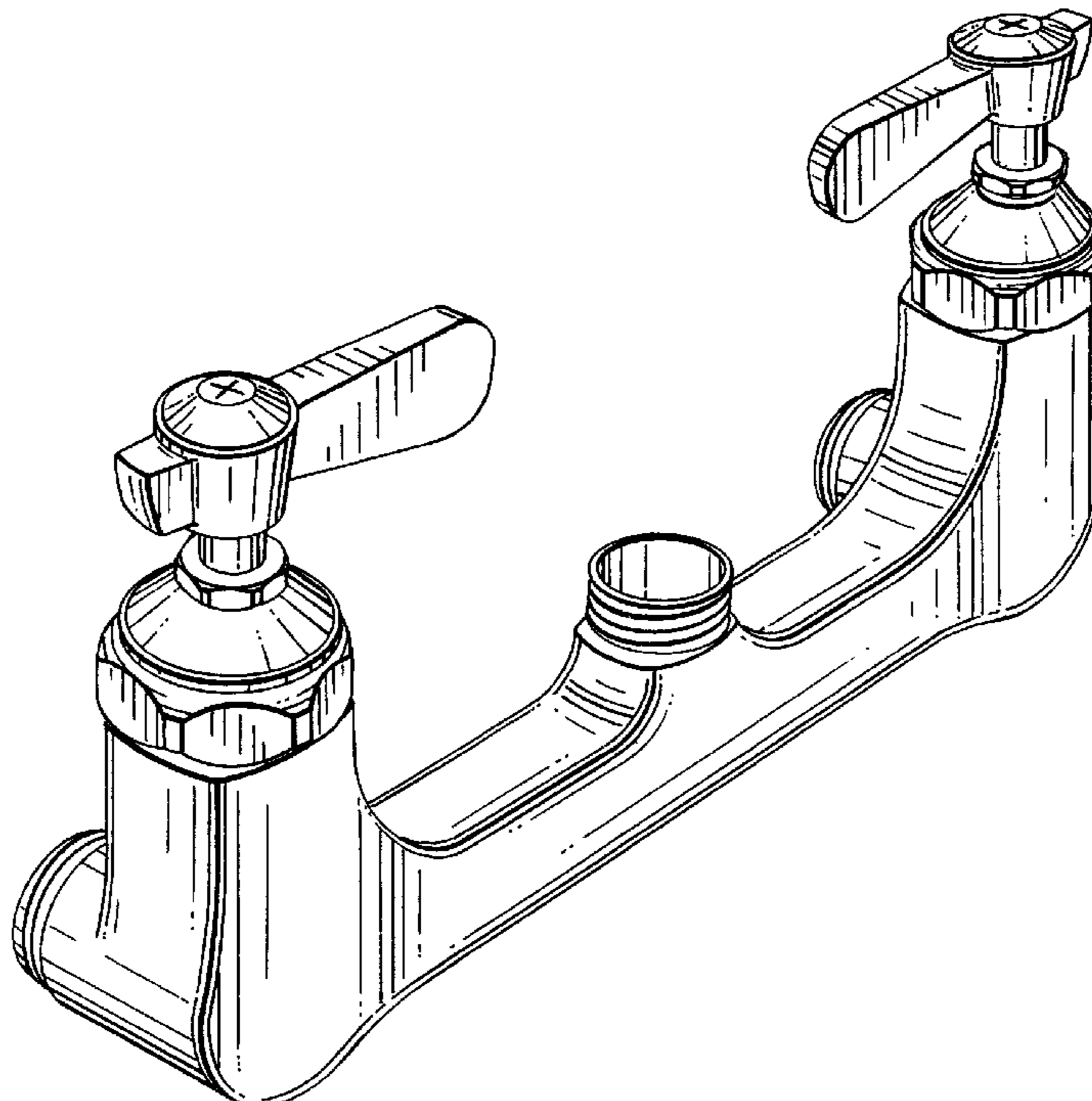


FIG. 1

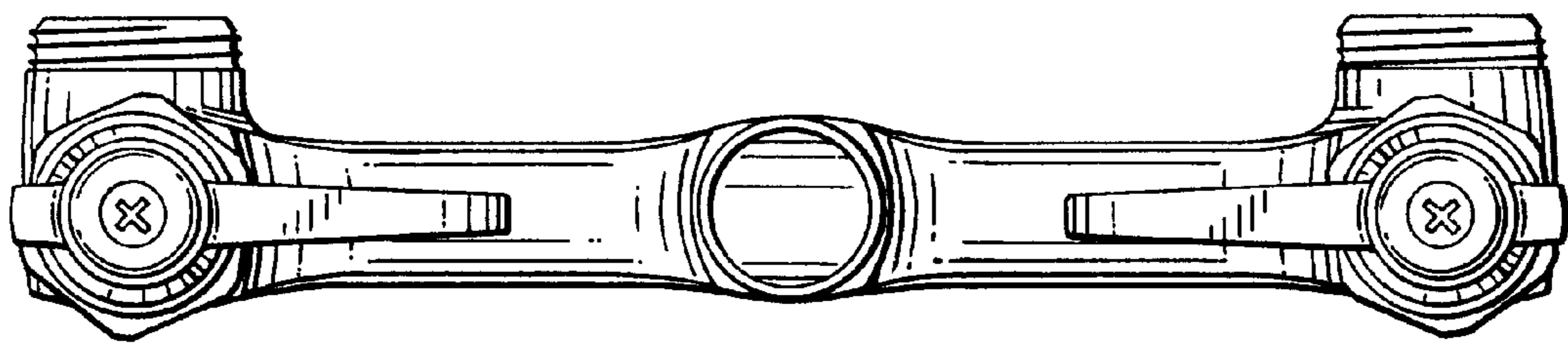
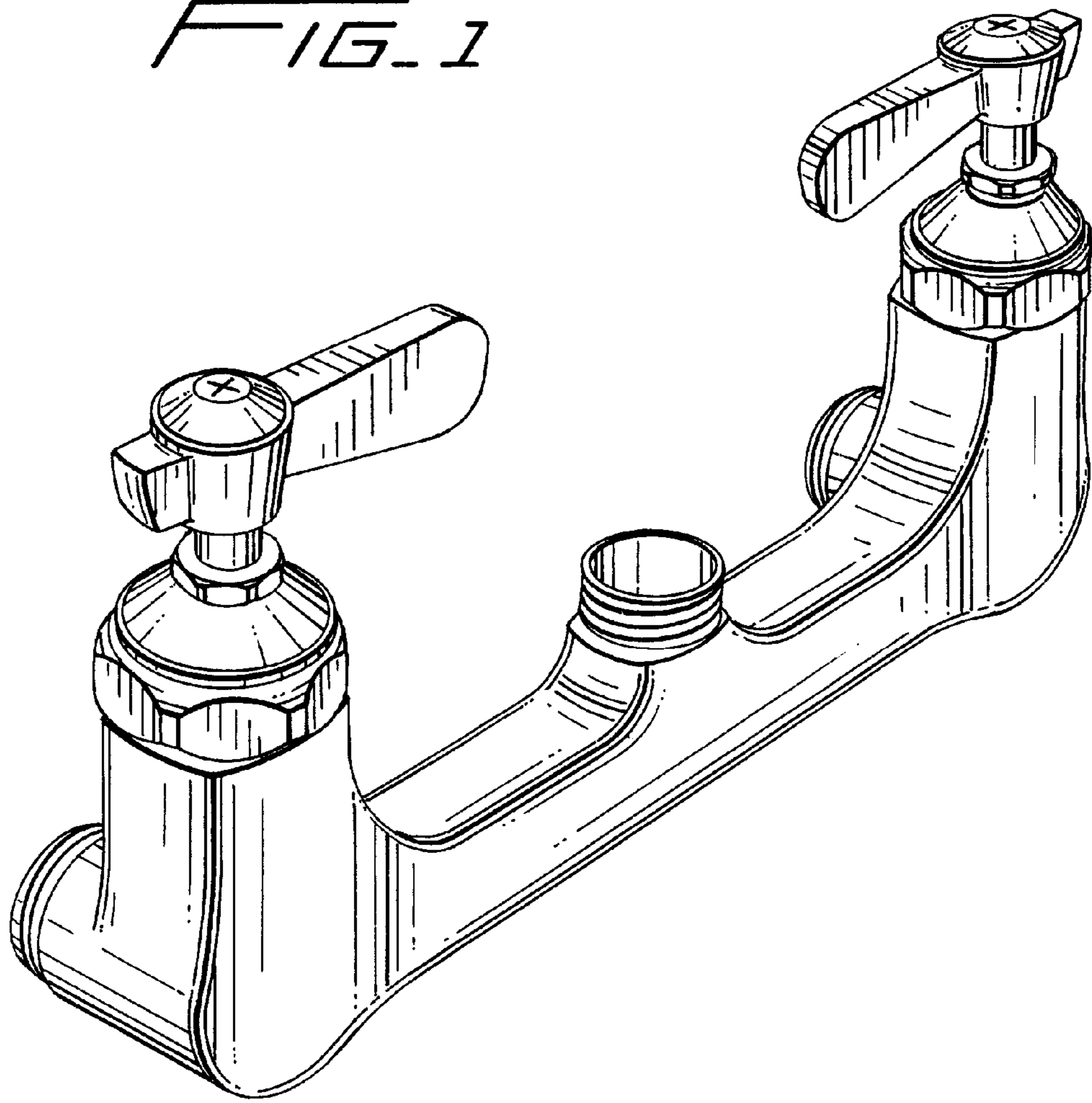


FIG. 2

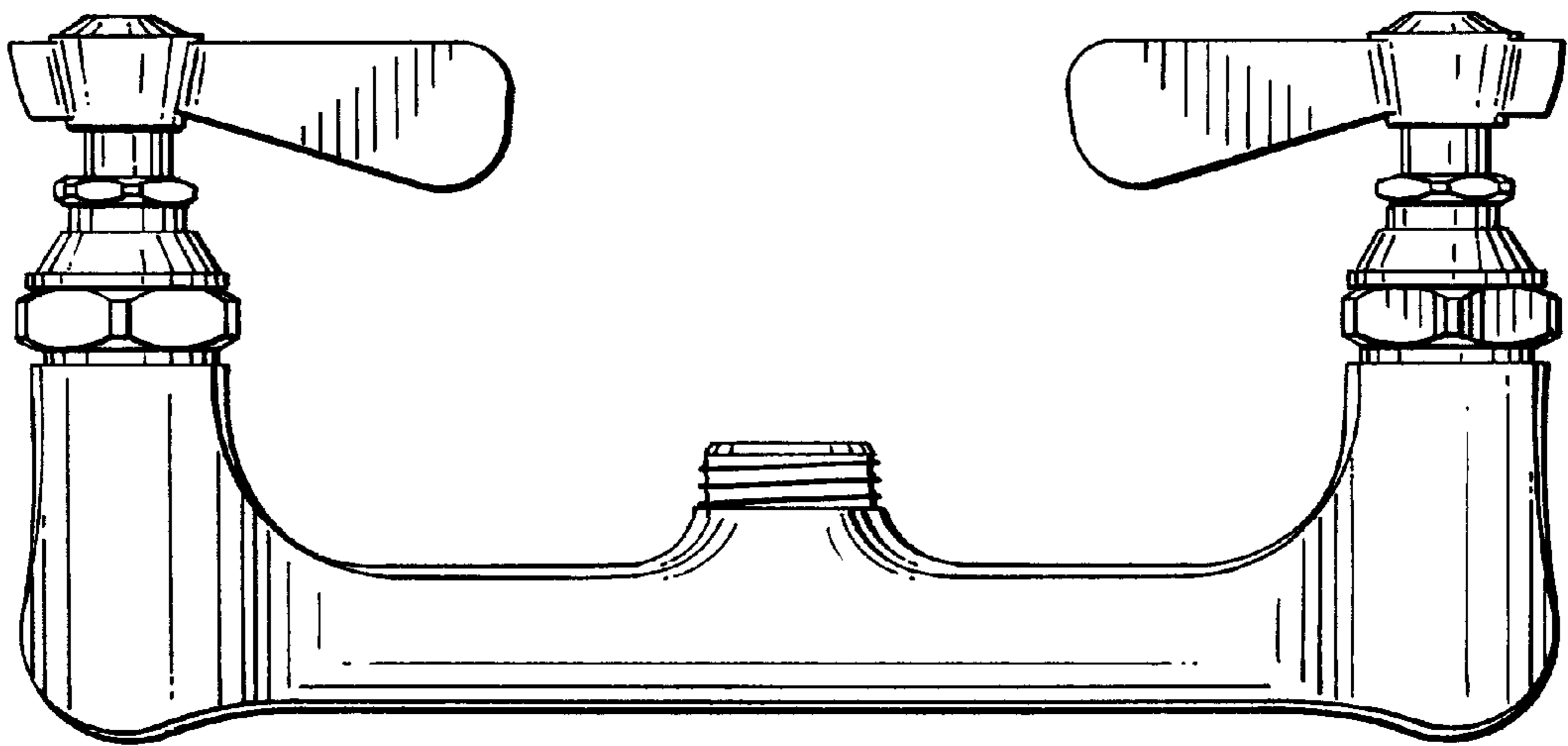


FIG. 3

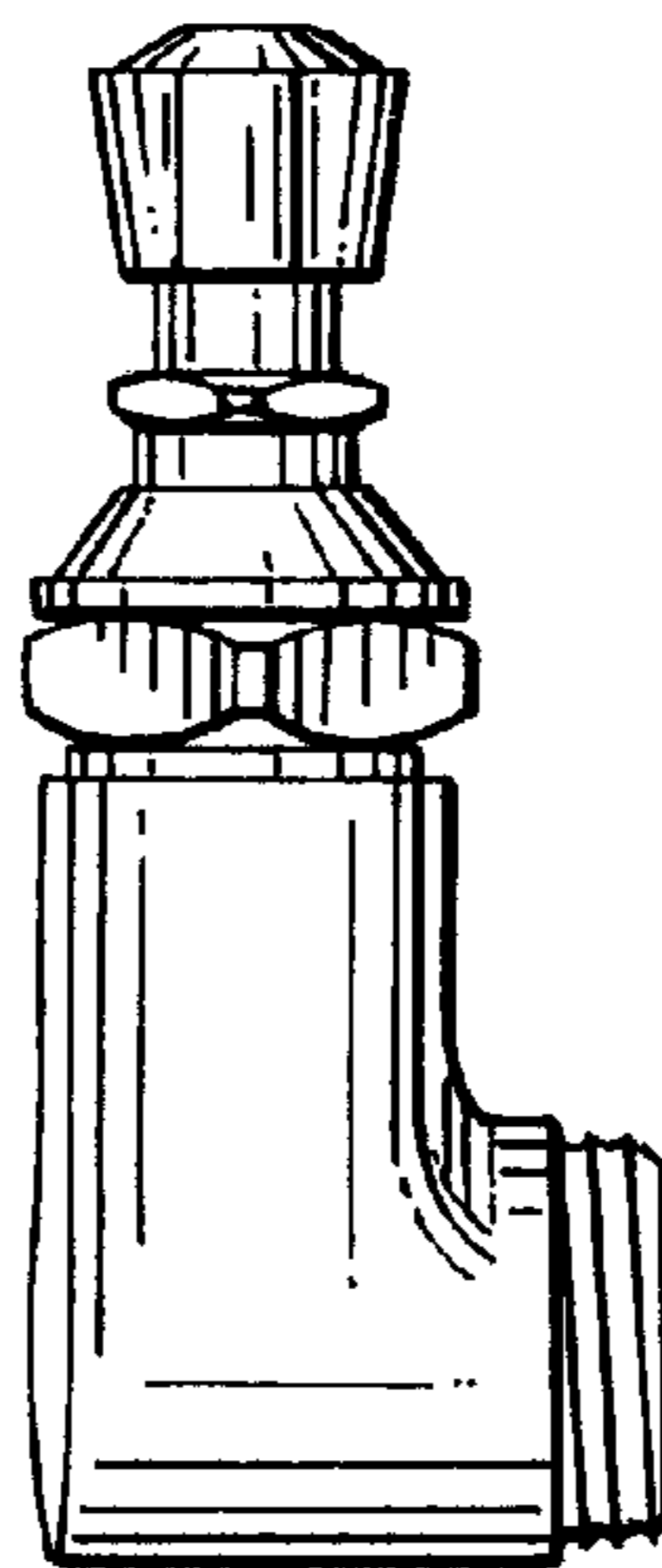


FIG. 4

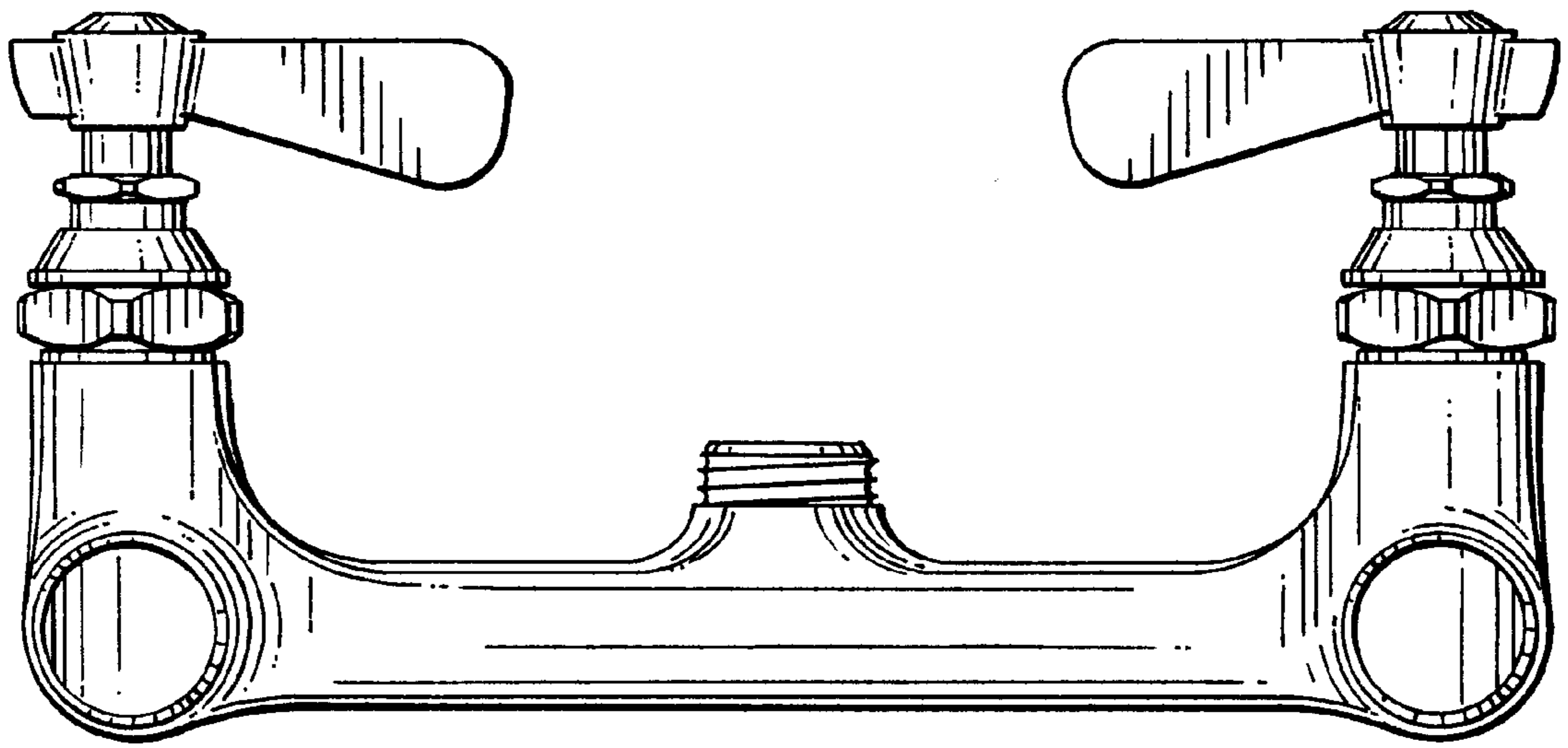


FIG. 5

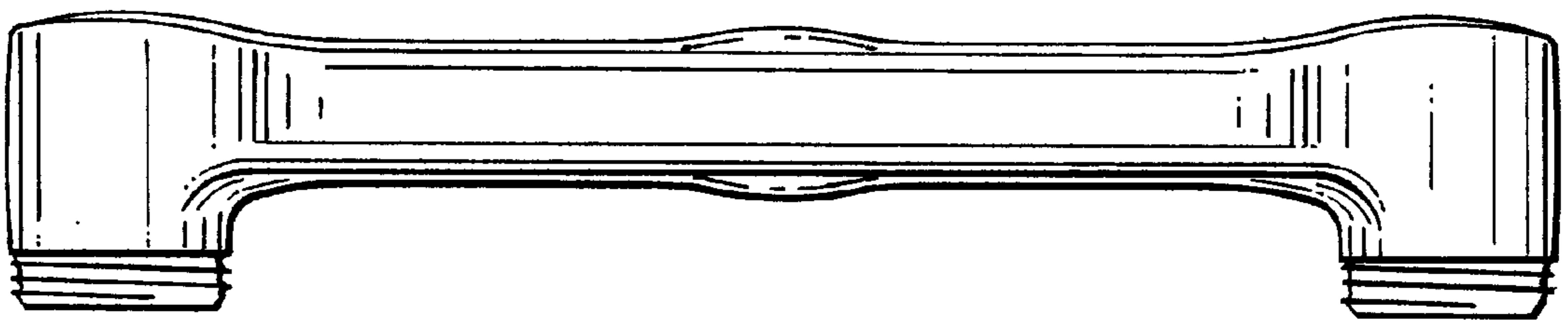


FIG. 6

FIG. 7

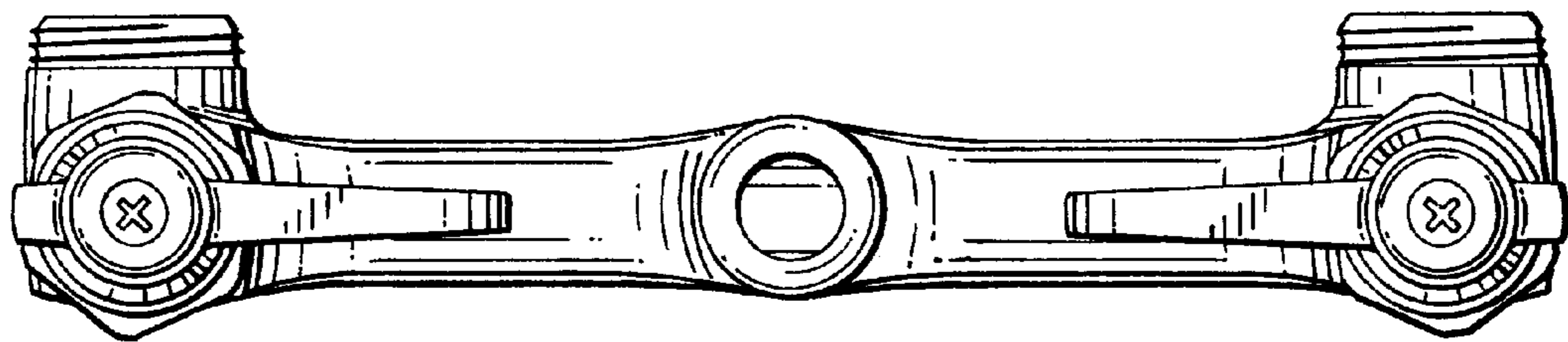
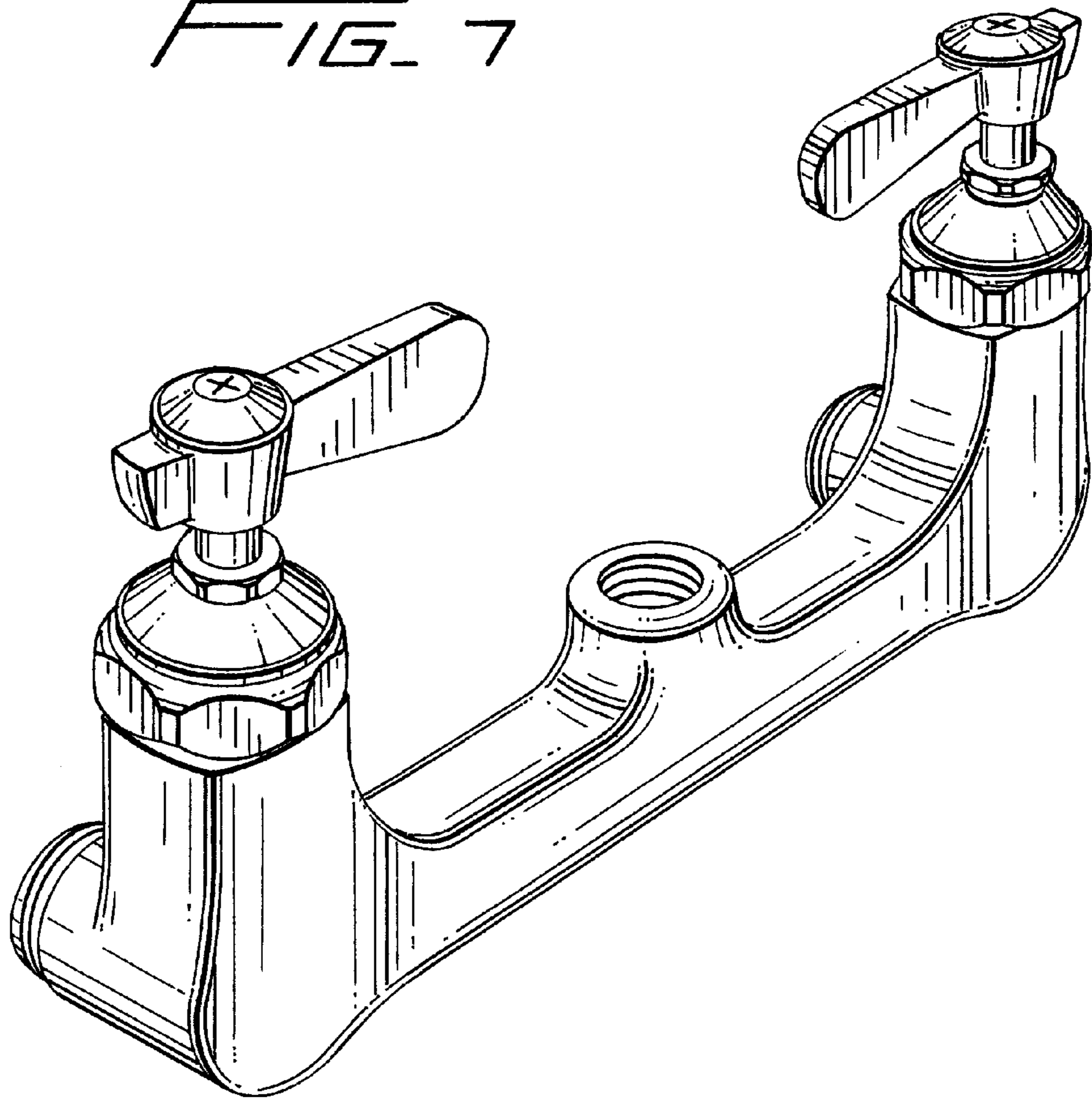


FIG. 8

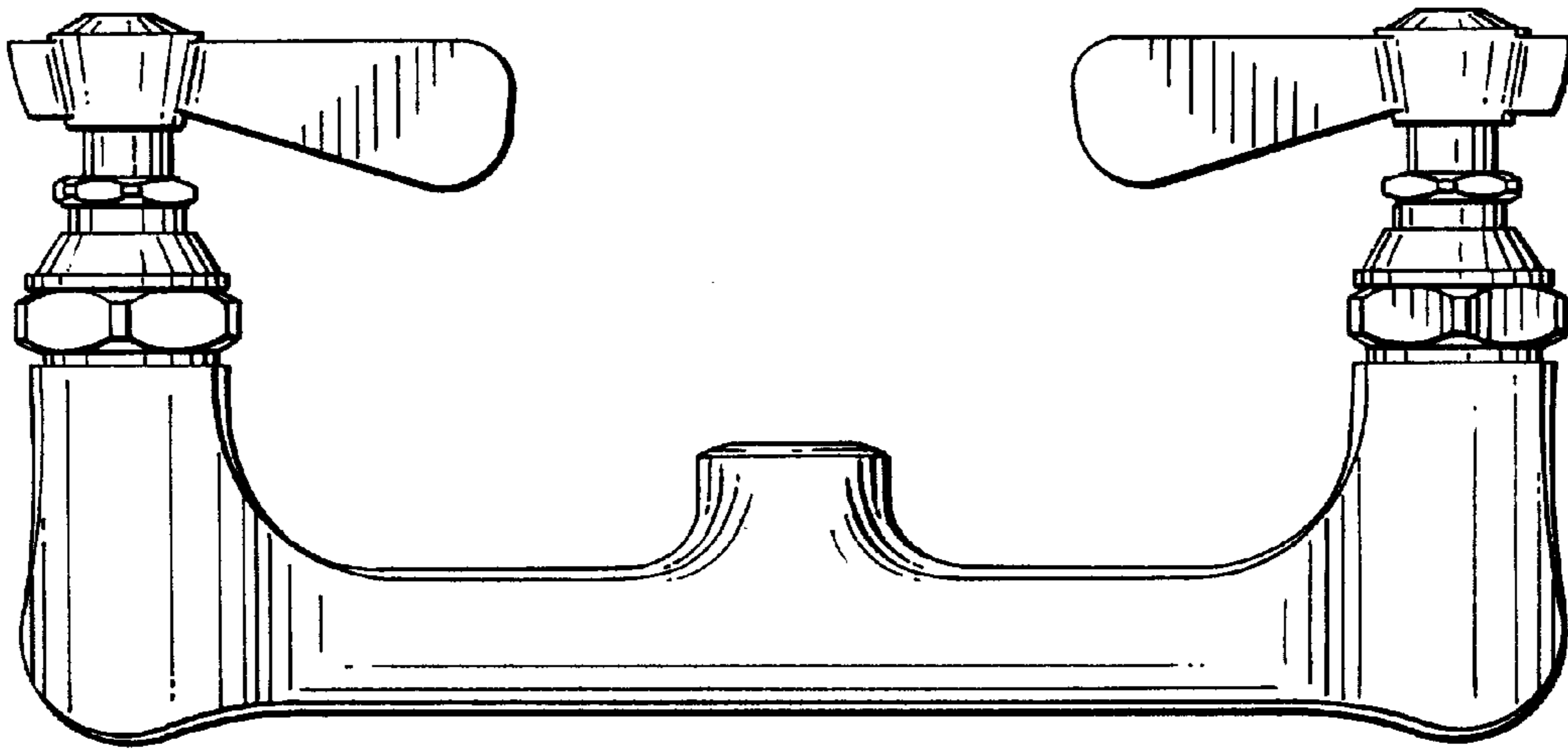


FIG. 9

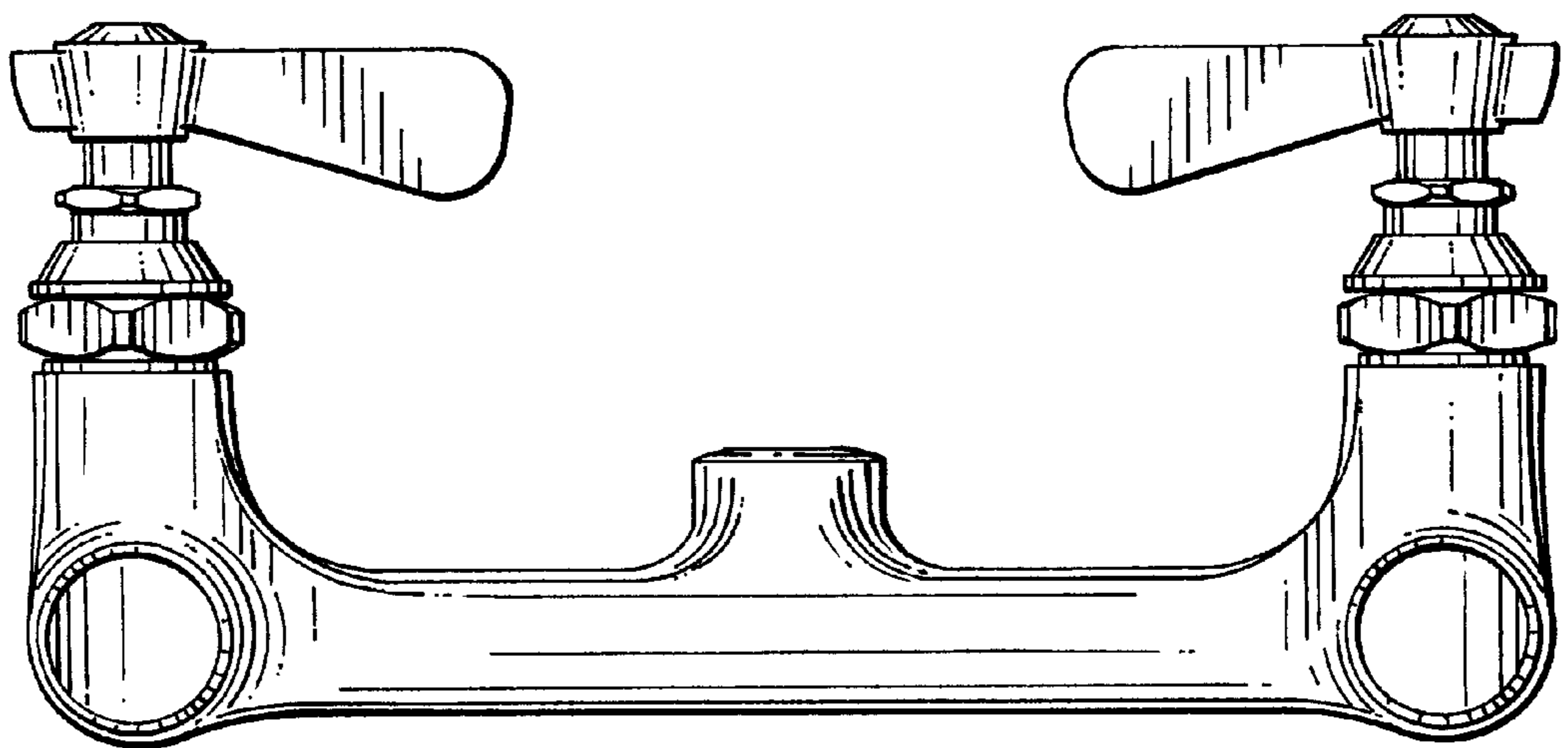


FIG. 10



US00D426289C1

(12) **EX PARTE REEXAMINATION CERTIFICATE (7745th)**
United States Patent
Levine

(10) **Number:** **US D426,289 C1**
(45) **Certificate Issued:** **Sep. 14, 2010**

(54) **FAUCET HANDLE FIXTURE**

(76) **Inventor:** **Howard Levine**, 28 Stony Hill Dr.,
Morganville, NJ (US) 07751

Reexamination Request:

No. 90/008,788, Jul. 27, 2007

Reexamination Certificate for:

Patent No.: **Des. 426,289**
Issued: **Jun. 6, 2000**
Appl. No.: **29/097,227**
Filed: **Dec. 2, 1998**

(51) **LOC (9) Cl.** **23-02**
(52) **U.S. Cl.** **D23/303**

(58) **Field of Classification Search** D23/238,
D23/241, 249; 4/676, 678; 137/801
See application file for complete search history.

(56) **References Cited**

U.S. PATENT DOCUMENTS

6,718,569 B2 * 4/2004 Falencki et al. 4/676

FOREIGN PATENT DOCUMENTS

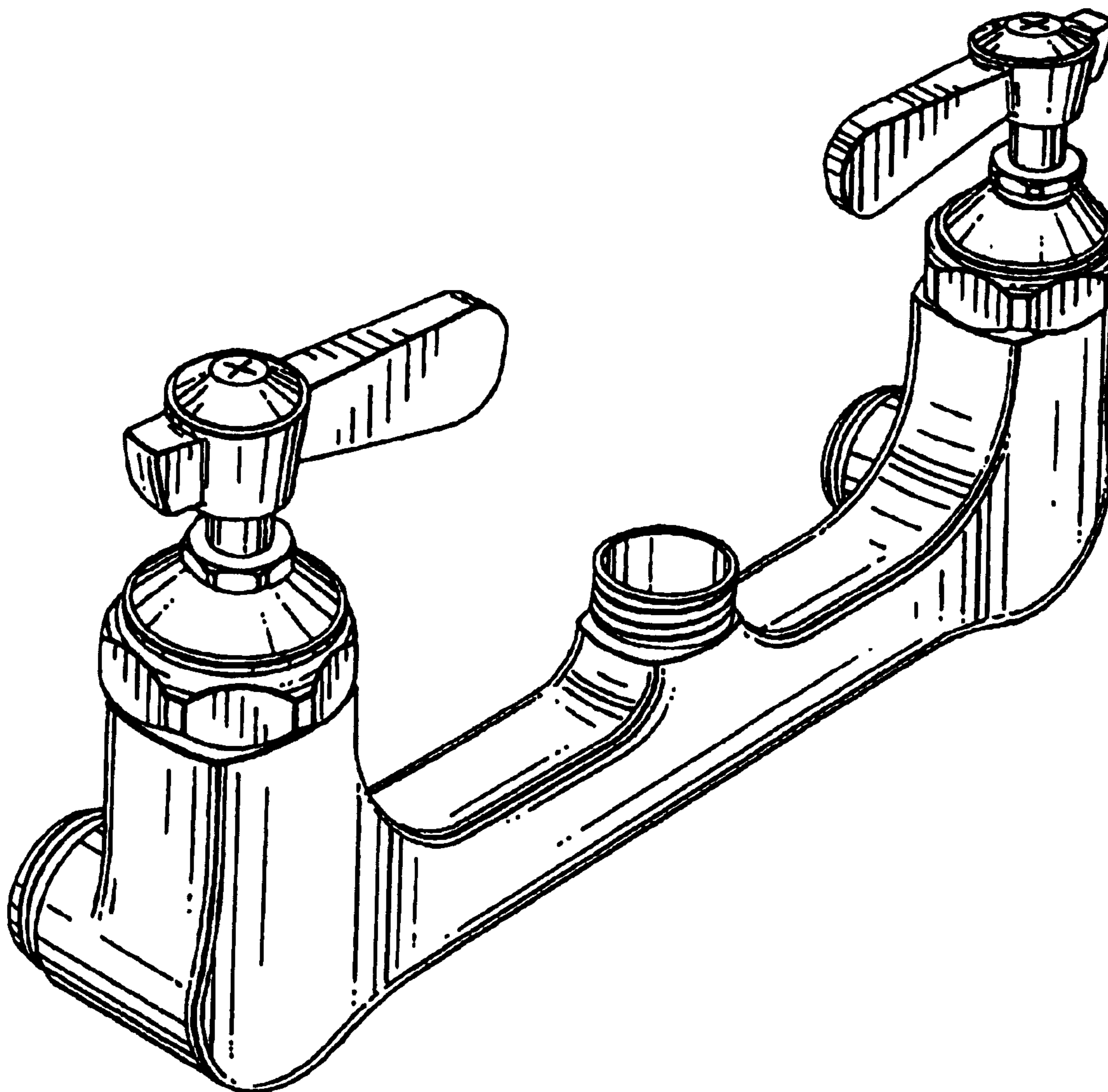
TW 334226 * 6/1998

OTHER PUBLICATIONS

Barnett's Hardware Express Catalog, 1997 (January–April)
pp. 91–94.*

* cited by examiner

Primary Examiner—Adir Aronovich



**EX PARTE
REEXAMINATION CERTIFICATE
ISSUED UNDER 35 U.S.C. 307**

AS A RESULT OF REEXAMINATION, IT HAS BEEN
DETERMINED THAT:

The sole claim is cancelled.

* * * * *