



US00D426285S

United States Patent [19]

Heren

[11] **Patent Number: Des. 426,285**

[45] **Date of Patent: ** Jun. 6, 2000**

[54] **PISTOL HOSE NOZZLE WITH ADJUSTABLE SPRAY HEAD**

[75] Inventor: **Lawrence P. Heren**, East Peoria, Ill.

[73] Assignee: **L. R. Nelson Corp.**, Peoria, Ill.

[**] Term: **14 Years**

[21] Appl. No.: **29/104,483**

[22] Filed: **May 6, 1999**

[51] **LOC (7) Cl.** **23-01**

[52] **U.S. Cl.** **D23/226**

[58] **Field of Search** D23/213, 223, D23/229; 239/525-528

[56] **References Cited**

U.S. PATENT DOCUMENTS

D. 379,491 5/1997 Goodin D23/226

D. 390,635 2/1998 Guo D23/226
D. 391,627 3/1998 Goodin D23/226
D. 392,719 3/1998 Guo D23/223
D. 404,798 1/1999 Goodin D23/226

Primary Examiner—Robin V. Taylor
Attorney, Agent, or Firm—Mayer, Brown and Platt

[57] **CLAIM**

The ornamental design for a pistol hose nozzle with adjustable spray head, as shown.

DESCRIPTION

FIG. 1 is a perspective view showing my new design; FIG. 2 is a front elevational view thereof; FIG. 3 is a back elevational view thereof; FIG. 4 is a top plan view thereof; FIG. 5 is a bottom plan view thereof; and, FIG. 6 is a side elevational view thereof.

1 Claim, 4 Drawing Sheets

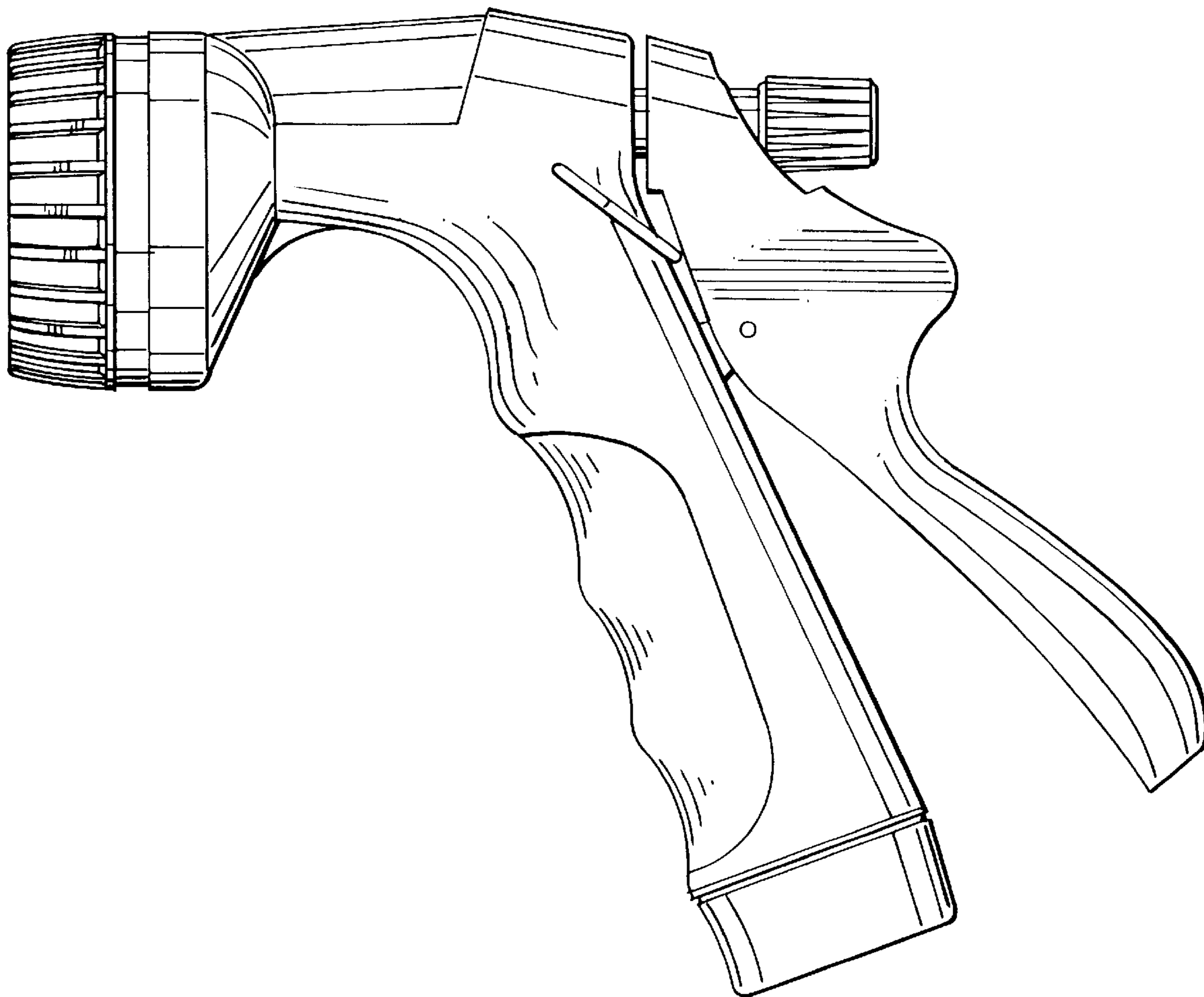


FIG. 1

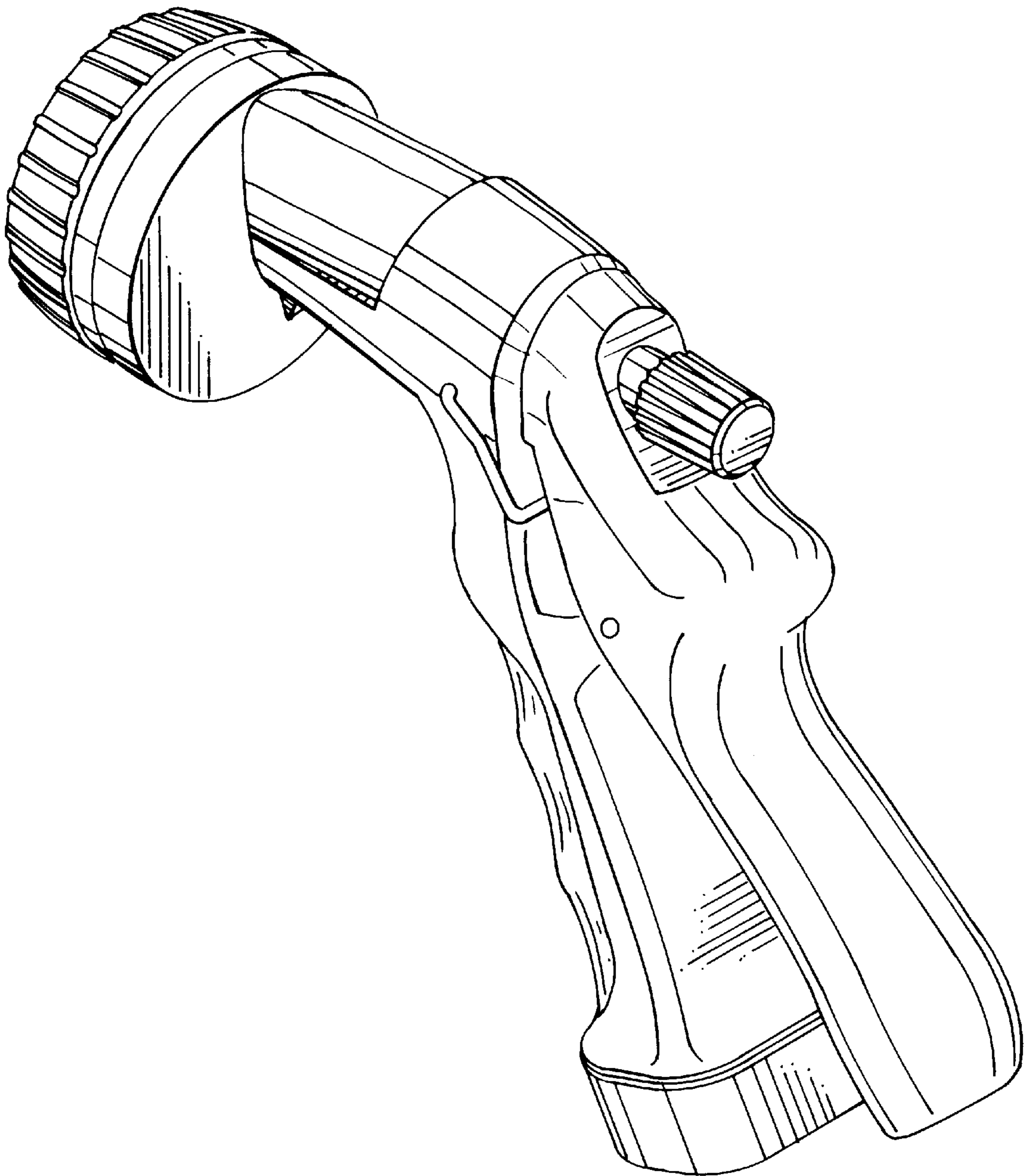


FIG. 2

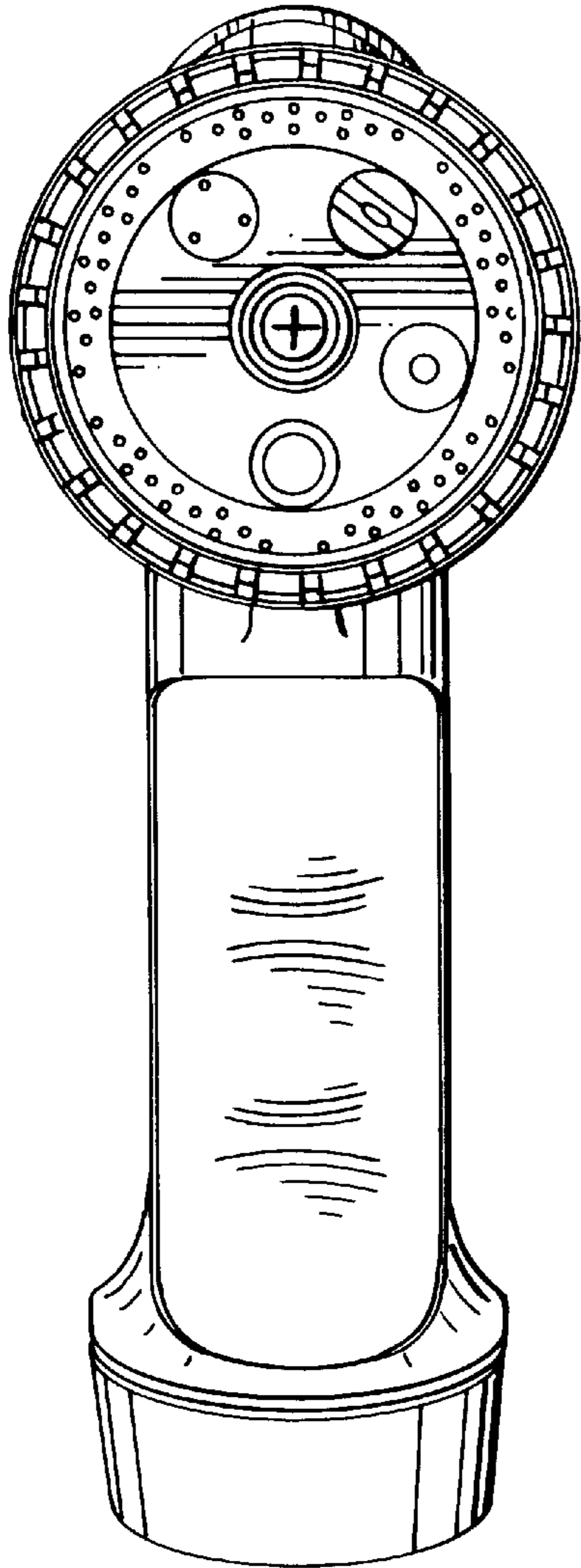


FIG. 3

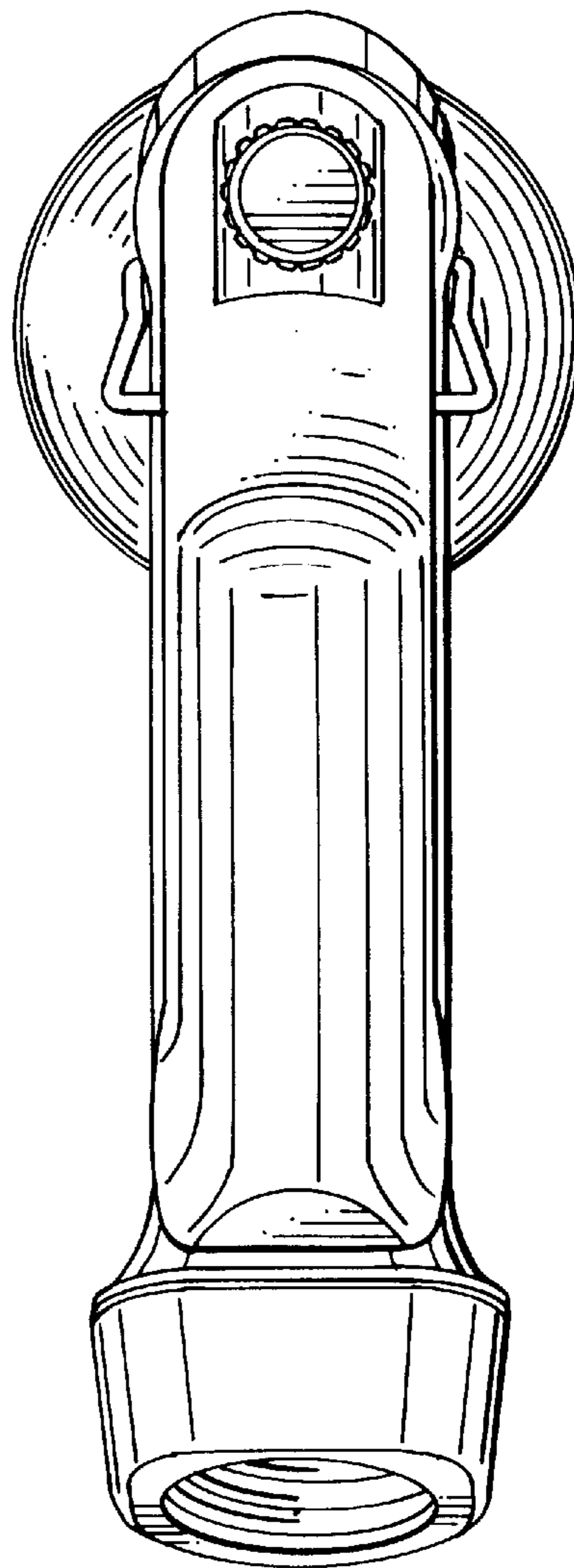


FIG. 4

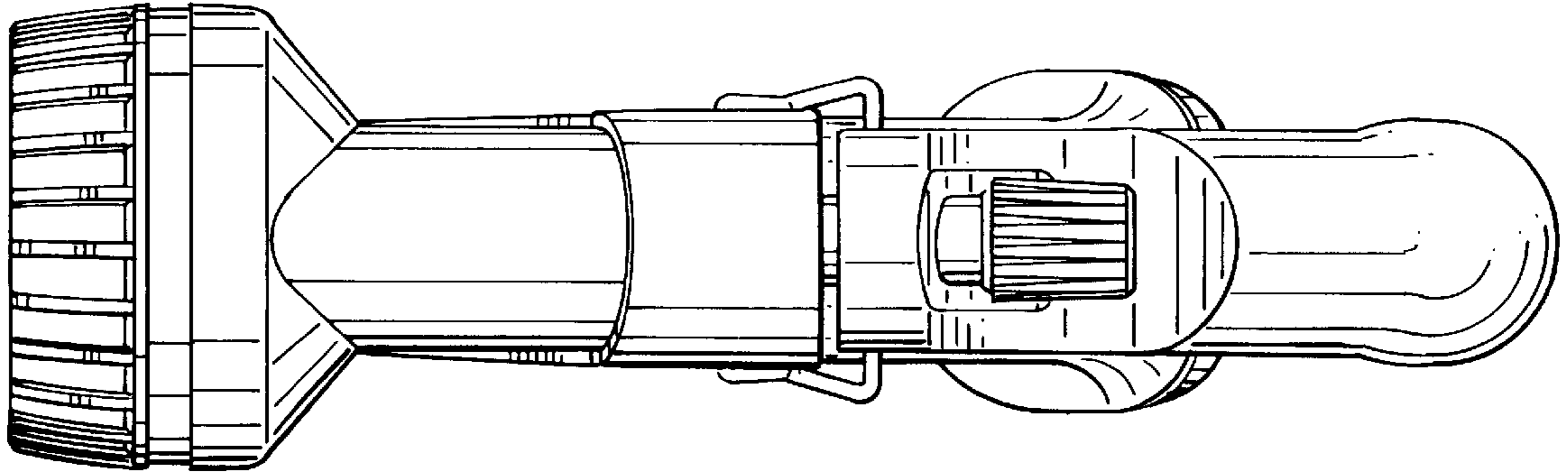


FIG. 5

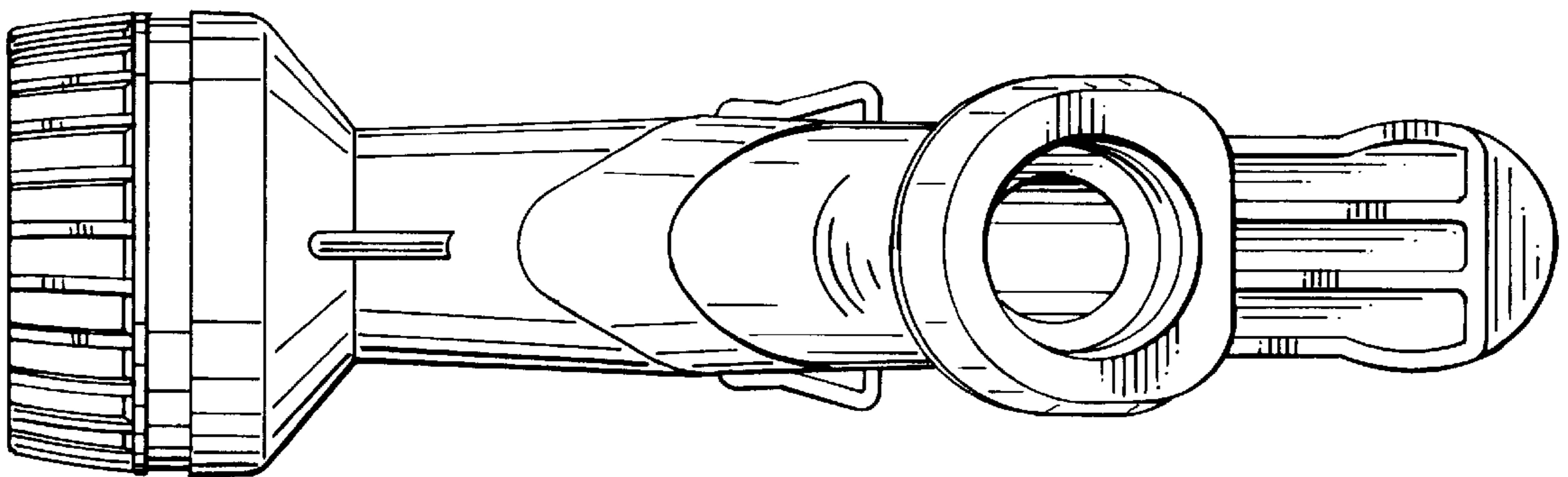


FIG. 6

