



US00D426284S

United States Patent [19]

Wang

[11] Patent Number: **Des. 426,284**

[45] Date of Patent: **** Jun. 6, 2000**

[54] **SPRINKLER**

D. 229,179 11/1973 Rodgers D23/214
1,780,233 11/1930 Jenkins D23/214

[76] Inventor: **Tzu-Meng Wang**, No. 91, Kwo-Tai Rd., Chu-Nan Chen, Miao-Li Hsien, Taiwan

Primary Examiner—Robin V. Taylor
Attorney, Agent, or Firm—Thomas, Kayden, Horstemeyer & Risley, L.L.P.

[**] Term: **14 Years**

[57] CLAIM

[21] Appl. No.: **29/111,245**

The ornamental design for a sprinkler, as shown.

[22] Filed: **Sep. 23, 1999**

DESCRIPTION

[51] **LOC (7) Cl.** **23-01**

FIG. 1 is a front-right-top perspective view of a sprinkler, showing my new design;

[52] **U.S. Cl.** **D23/214**

FIG. 2 is a front elevational view thereof;

[58] **Field of Search** D23/213, 214,

FIG. 3 is a rear elevational view thereof;

D23/215, 216, 221; 239/211, 230–231,

FIG. 4 is a left elevational view thereof;

240–242

FIG. 5 is a right elevational view thereof;

[56] References Cited

FIG. 6 is top plan view thereof; and,

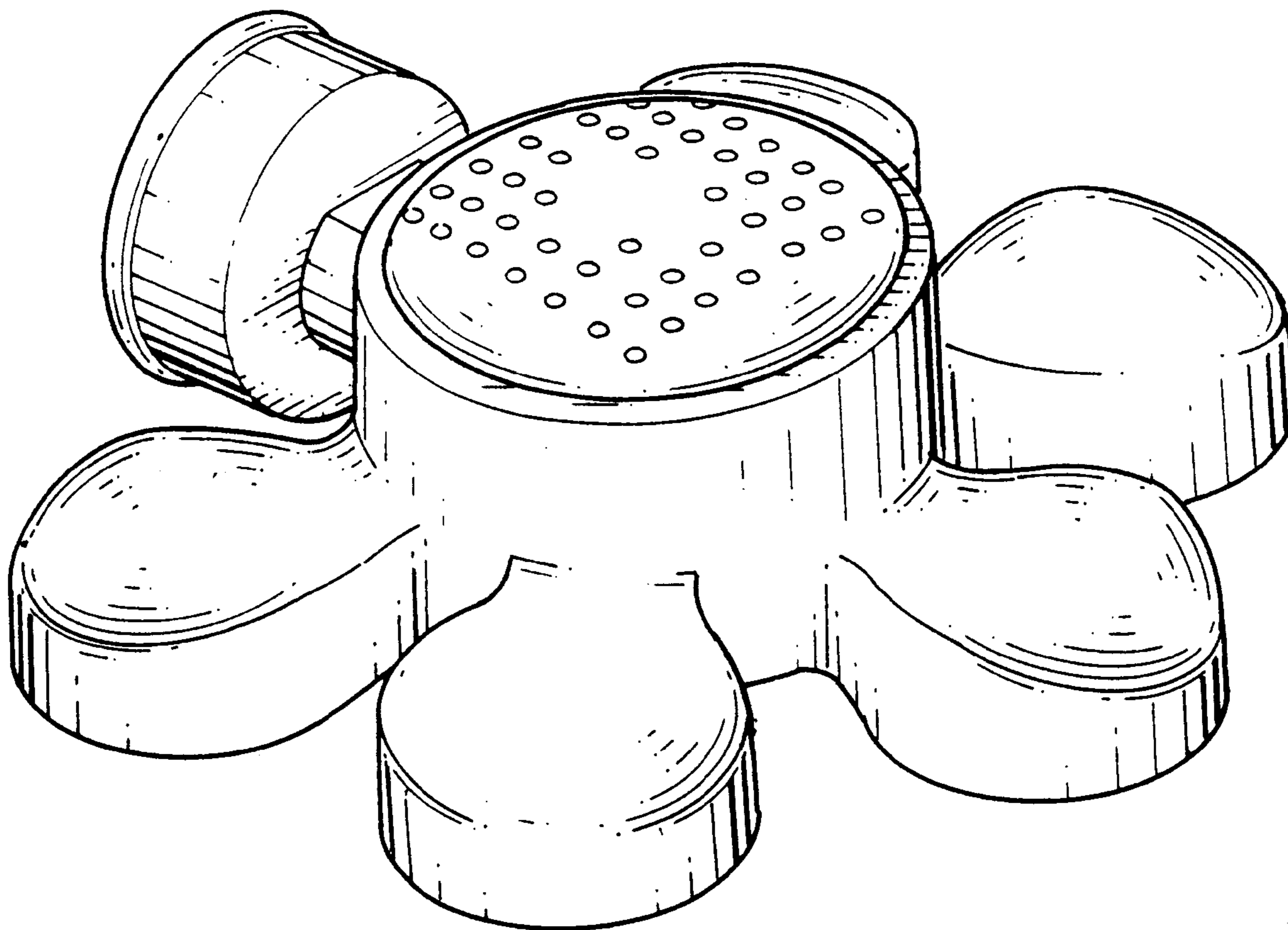
FIG. 7 is a bottom plan view thereof.

U.S. PATENT DOCUMENTS

D. 171,559 2/1954 Rienks D23/214

D. 220,763 5/1971 Best D23/214

1 Claim, 3 Drawing Sheets



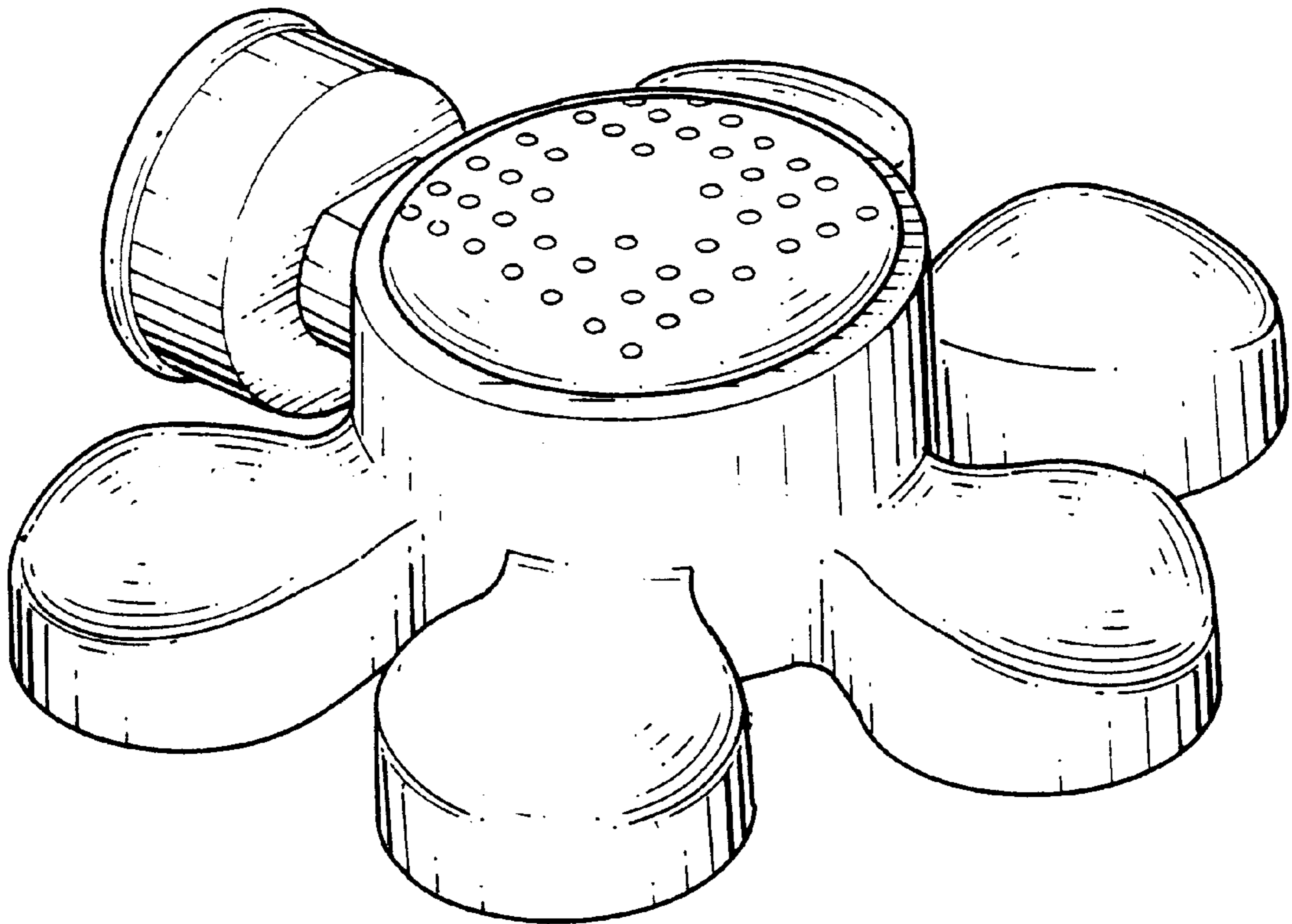


FIG. 1

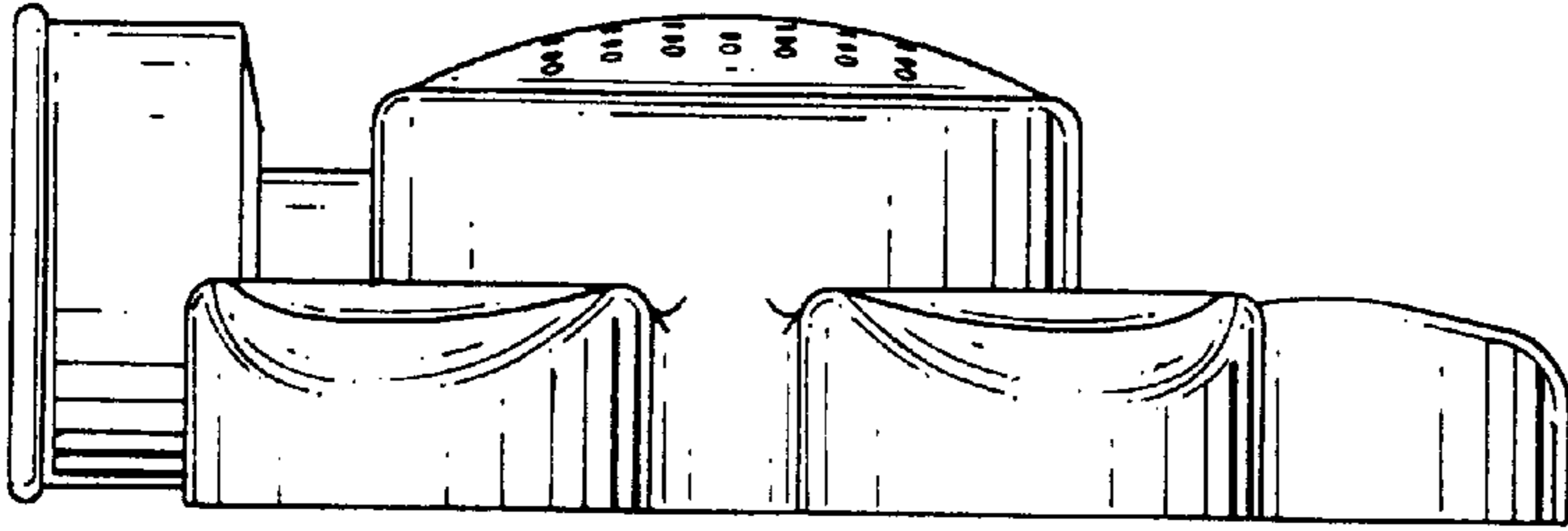


FIG. 4

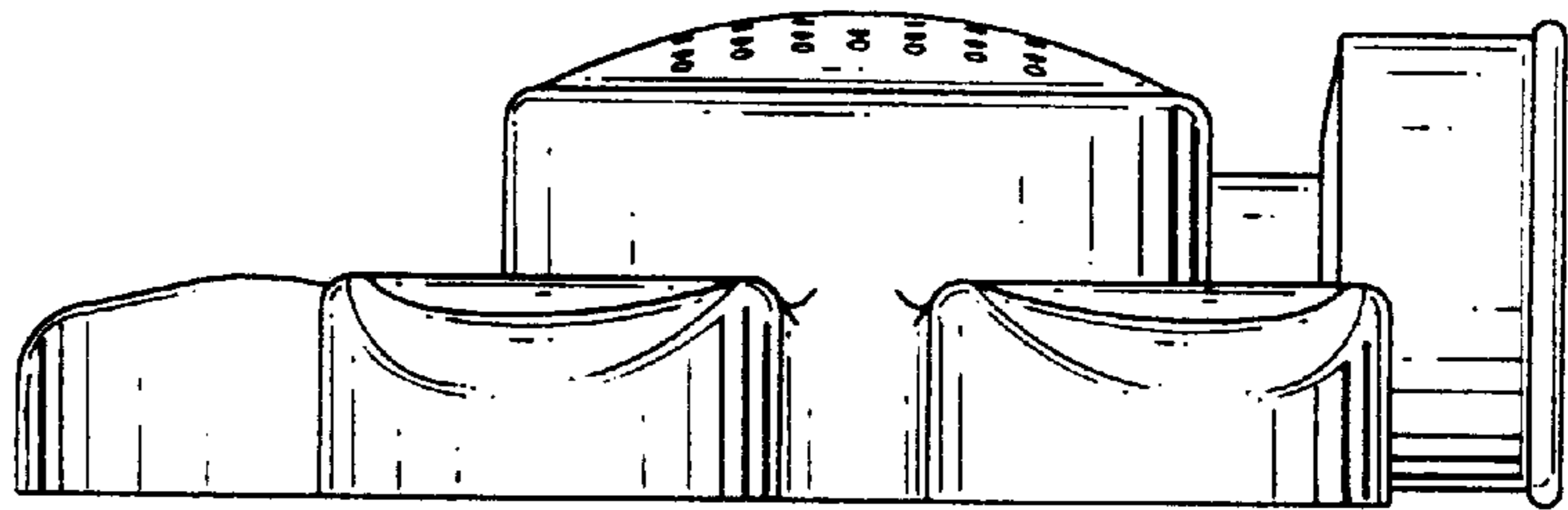


FIG. 5

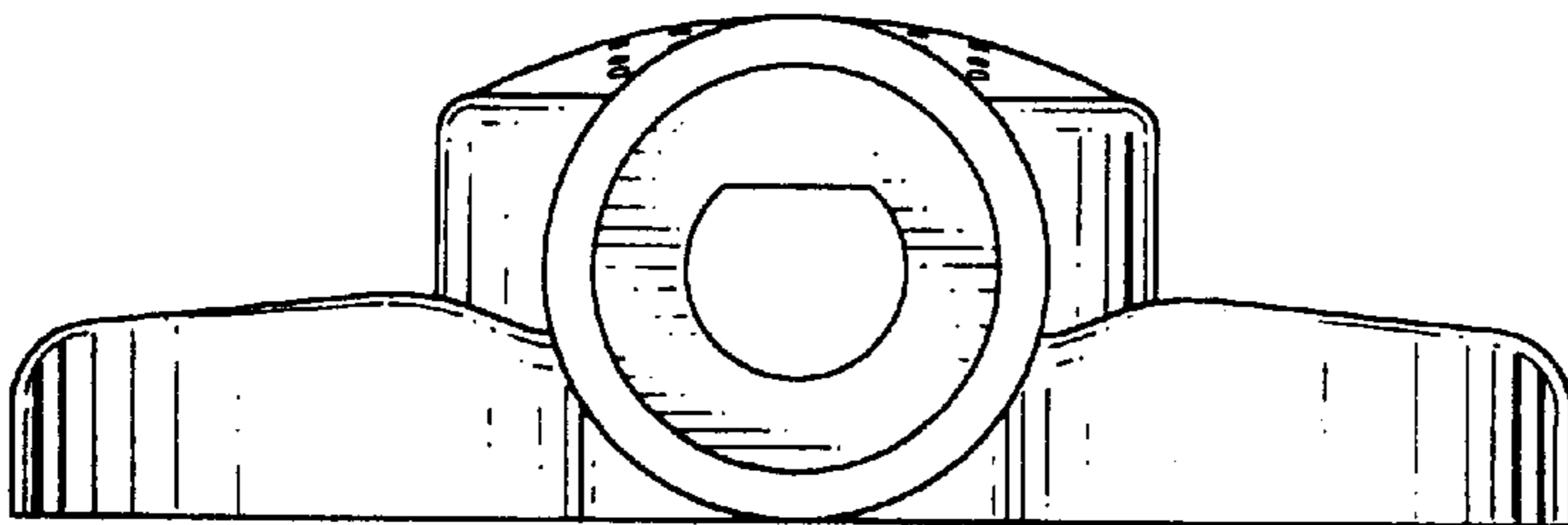


FIG. 3

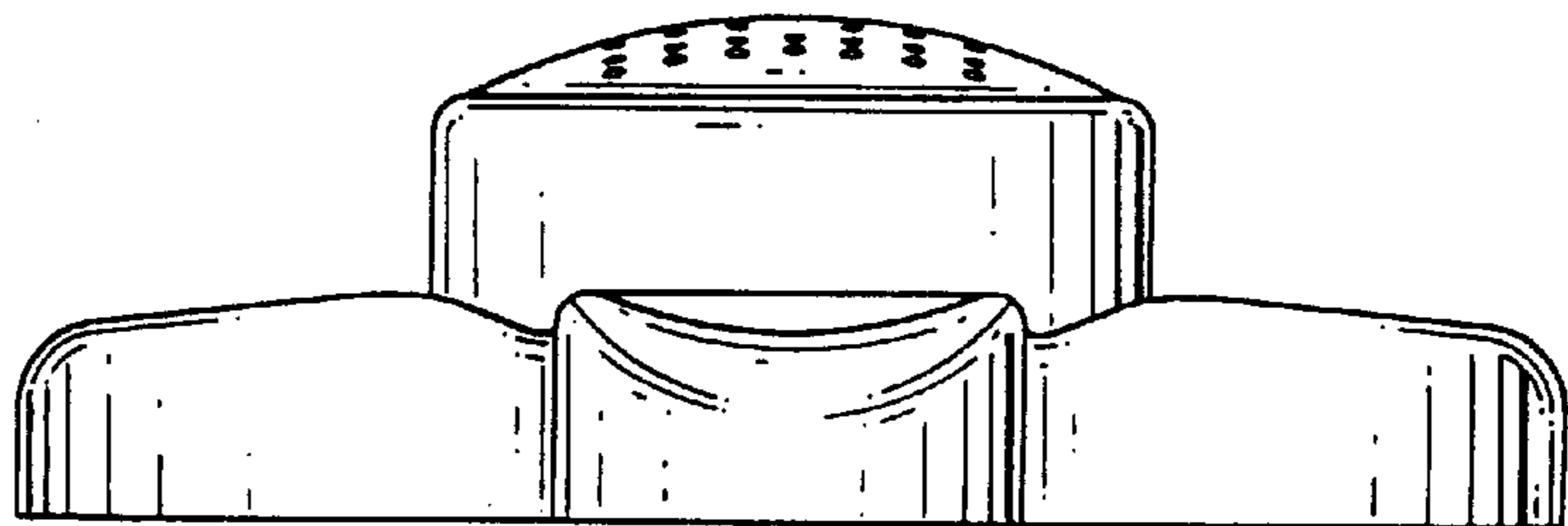


FIG. 2

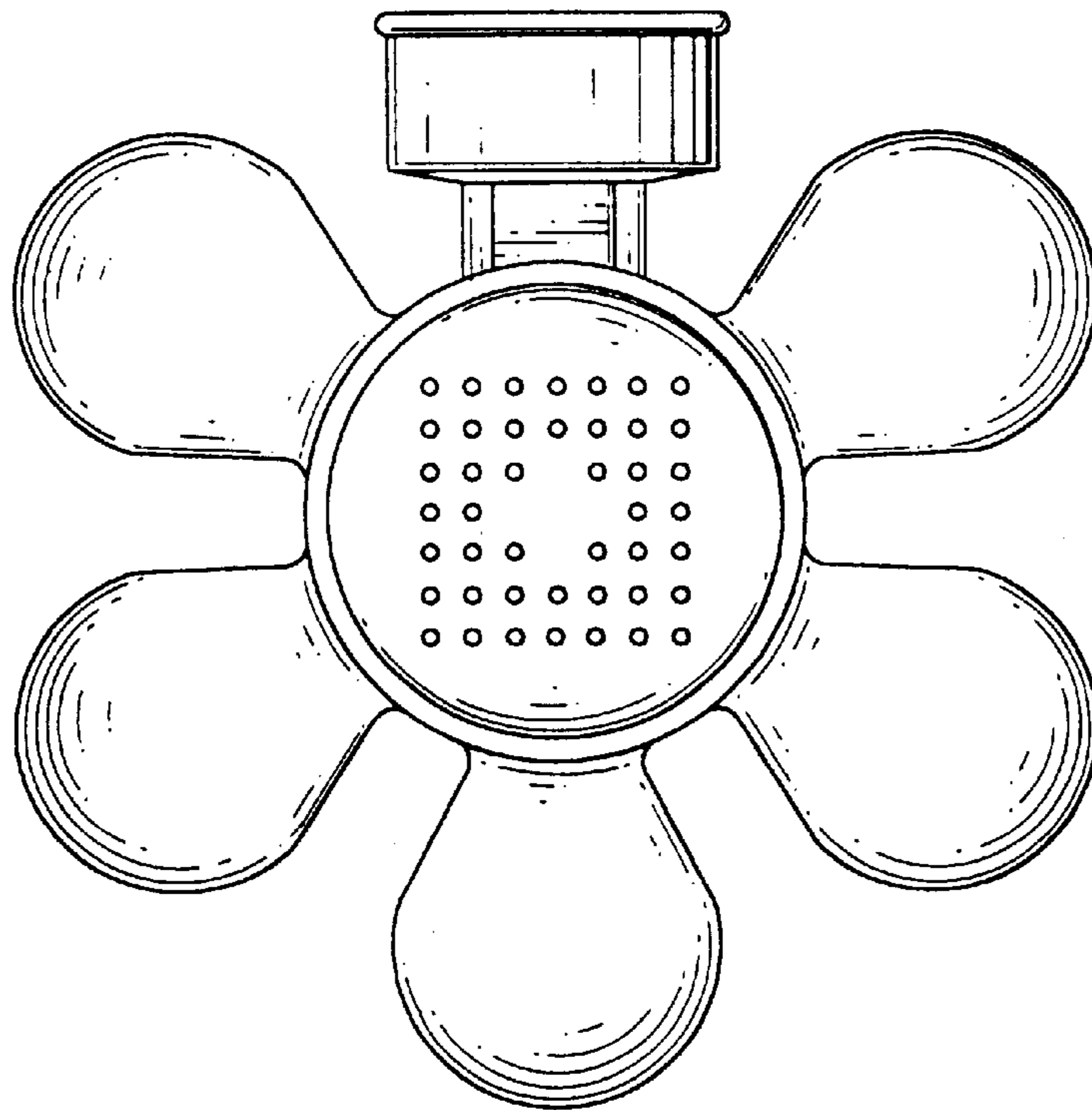


FIG. 6

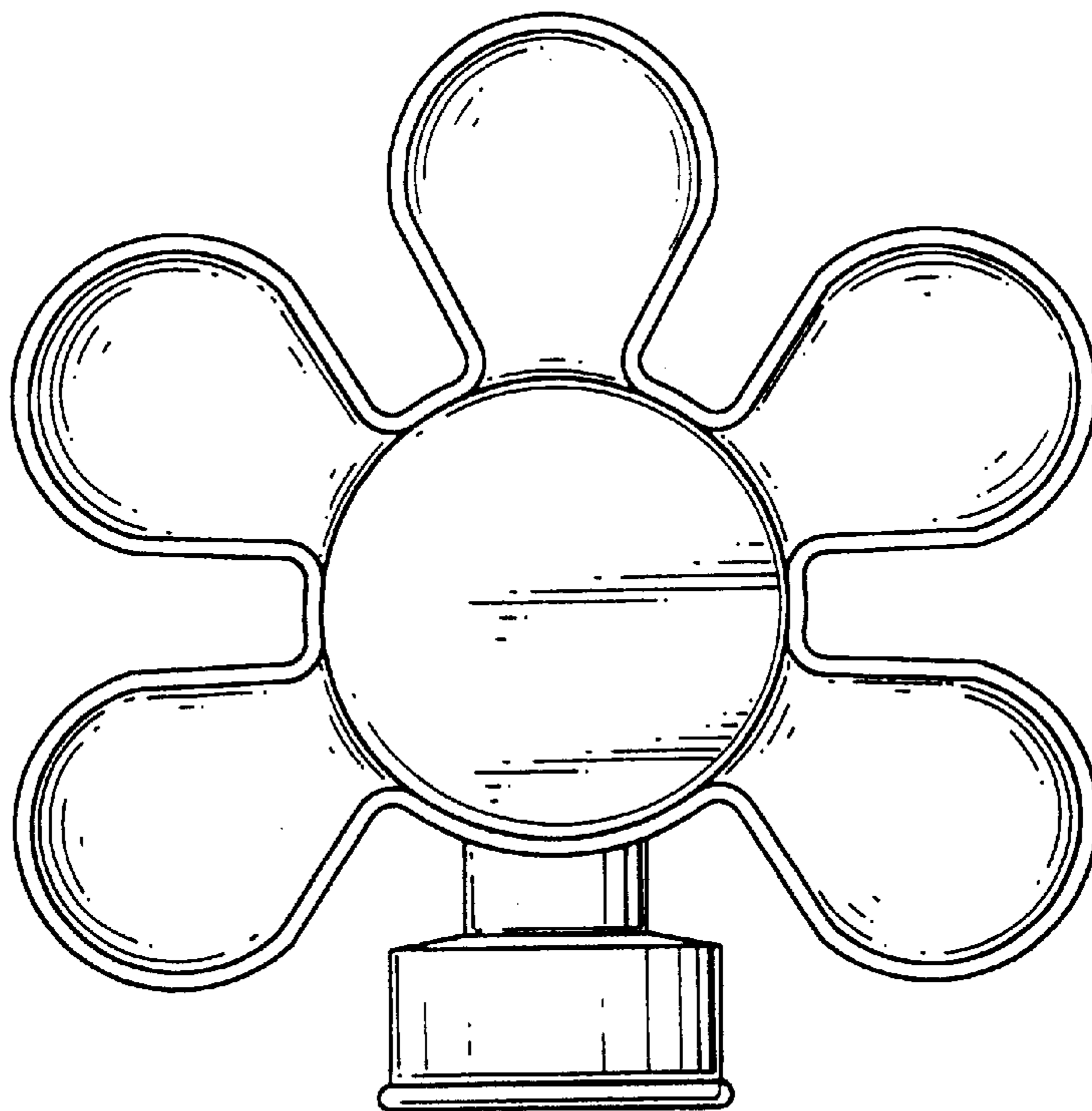


FIG .7