



US00D426281S

United States Patent [19] Davis

[11] **Patent Number: Des. 426,281**
[45] **Date of Patent: ** Jun. 6, 2000**

[54] **DEER DECOY**

[75] Inventor: **James Deff Davis**, Dover, Ark.

[73] Assignee: **Penline Production L.L.C.**, Dover, Ark.

[**] Term: **14 Years**

[21] Appl. No.: **29/111,368**

[22] Filed: **Sep. 22, 1999**

[51] **LOC (7) Cl.** **22-05**

[52] **U.S. Cl.** **D22/125**

[58] **Field of Search** D22/125, 199;
43/2, 1

[56] **References Cited**

U.S. PATENT DOCUMENTS

D. 356,620	3/1995	Weber et al.	D22/125
D. 370,972	6/1996	Dutton	D22/125
5,522,168	6/1996	Friddle	43/2
5,632,110	5/1997	Roy	43/2
5,791,081	8/1998	Turner et al.	43/2
5,797,208	8/1998	Lessa	43/2

Primary Examiner—Louis S. Zarfes

Assistant Examiner—Inga-Maria Hyttinen

Attorney, Agent, or Firm—Stephen D. Carver

[57] **CLAIM**

The ornamental design for a deer decoy, as shown and described.

DESCRIPTION

FIG. 1 is a perspective view of my new deer decoy design

showing all of its parts combined as a whole with the line broken away at the end to indicate indeterminate length;

FIG. 2 is a perspective view of FIG. 1 on a reduced scale with my deer decoy head and neck part shown in an alternate position while remaining combined as a whole with its other parts;

FIG. 3 is an exploded perspective view of FIG. 1 on a reduced scale showing my deer decoy with its head and neck part, chest part and comb part detached for clarity;

FIG. 4 is a top plan view taken generally from above FIG. 1 and looking downwards towards the top end thereof;

FIG. 5 is a bottom plan view of FIG. 1 taken generally from the bottom of FIG. 1 and looking upwards towards the bottom end thereof;

FIG. 6 is a front elevation view of FIG. 1;

FIG. 7 is a rear elevation view of FIG. 1;

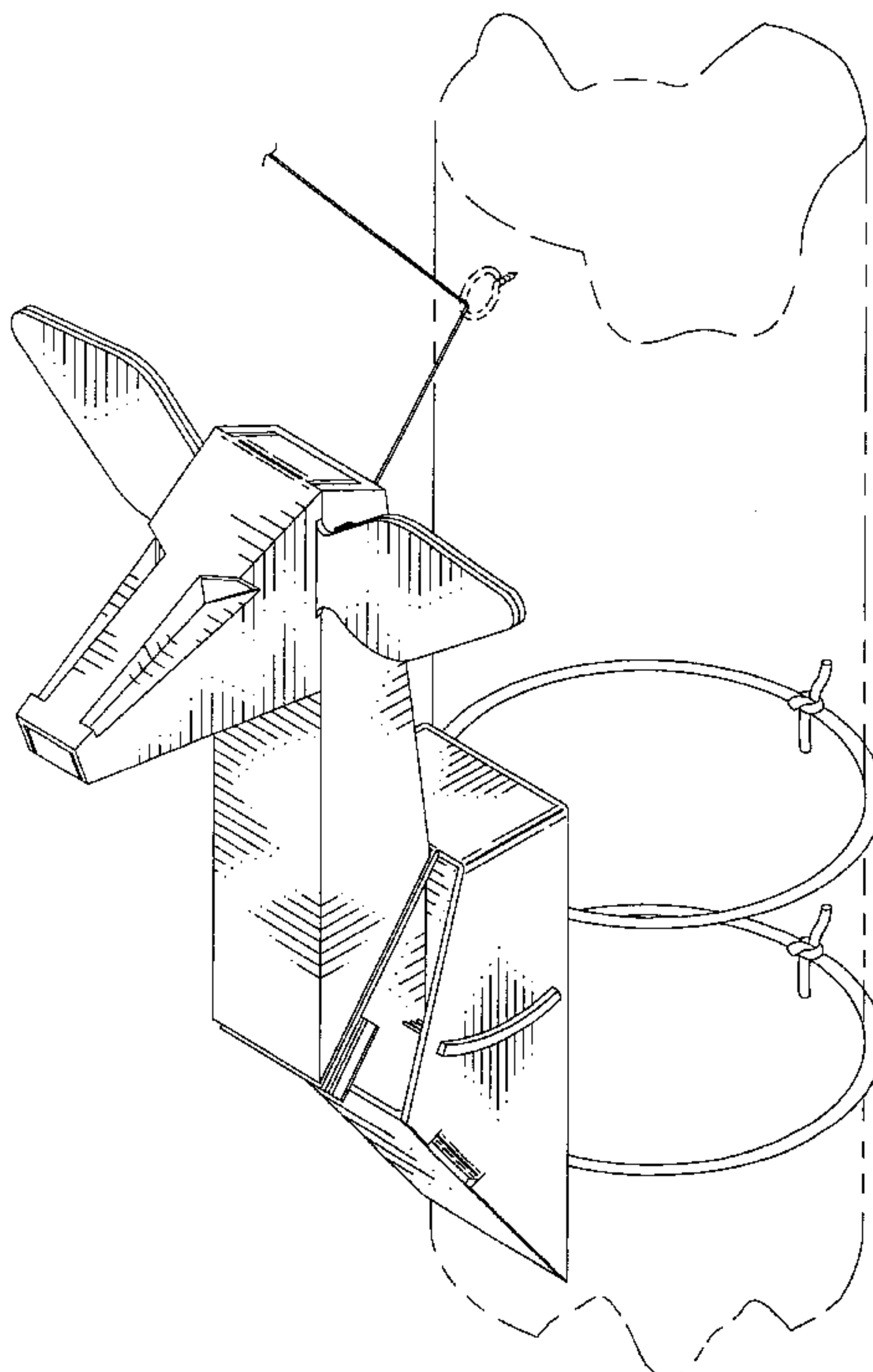
FIG. 8 is a right side elevation view of FIG. 1; and,

FIG. 9 is a left side elevation view of FIG. 1.

The broken phantom line showing of a cylindrical object and a common screw eyelet in FIG. 1, FIG. 2 and FIG. 3 are for illustrative purposes only and form no part of the claimed design.

The line is broken away and shown at a reduced length in FIGS. 4, 5, 7, 8, and 9 for convenience of illustration.

1 Claim, 8 Drawing Sheets



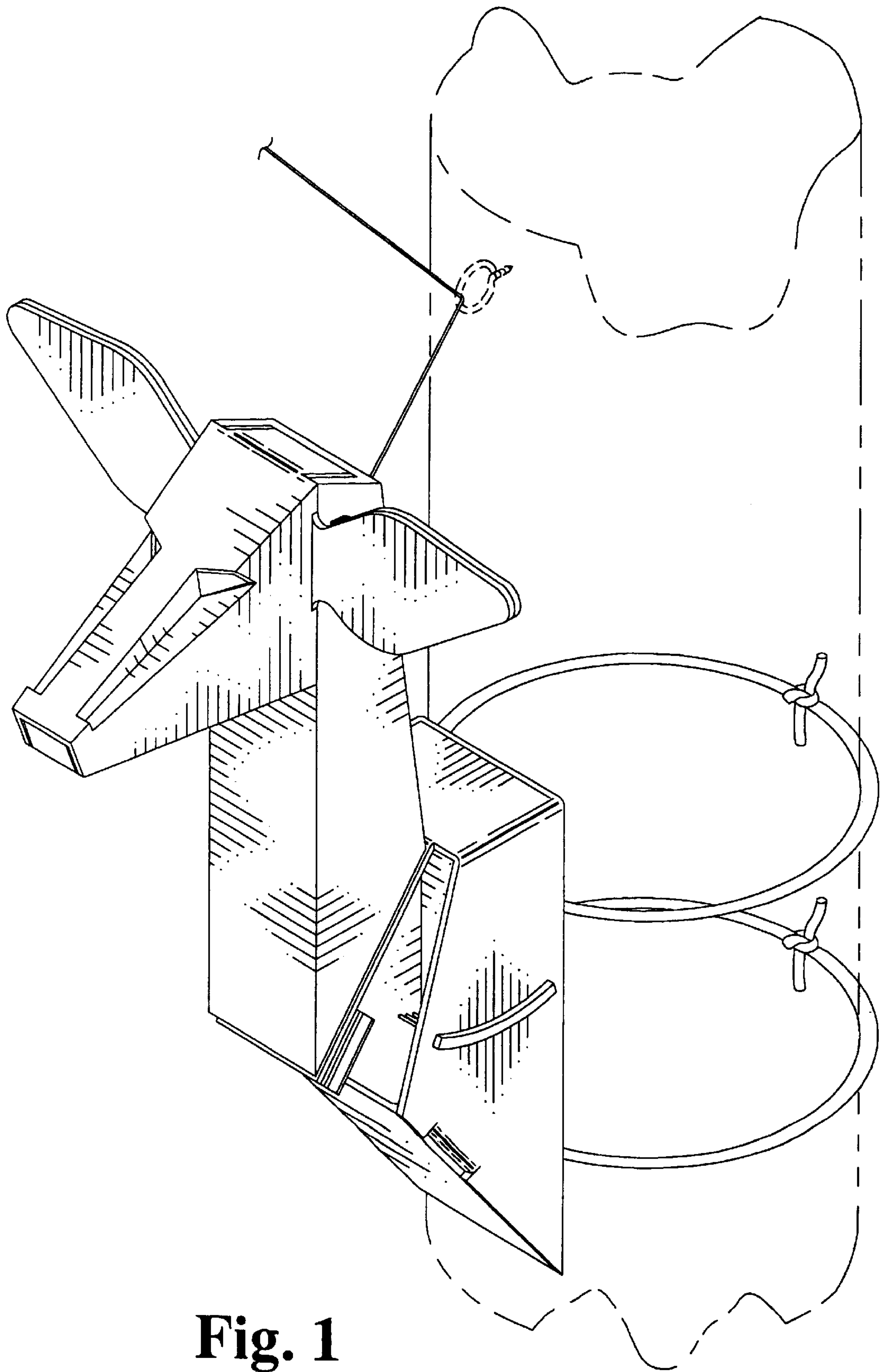


Fig. 1

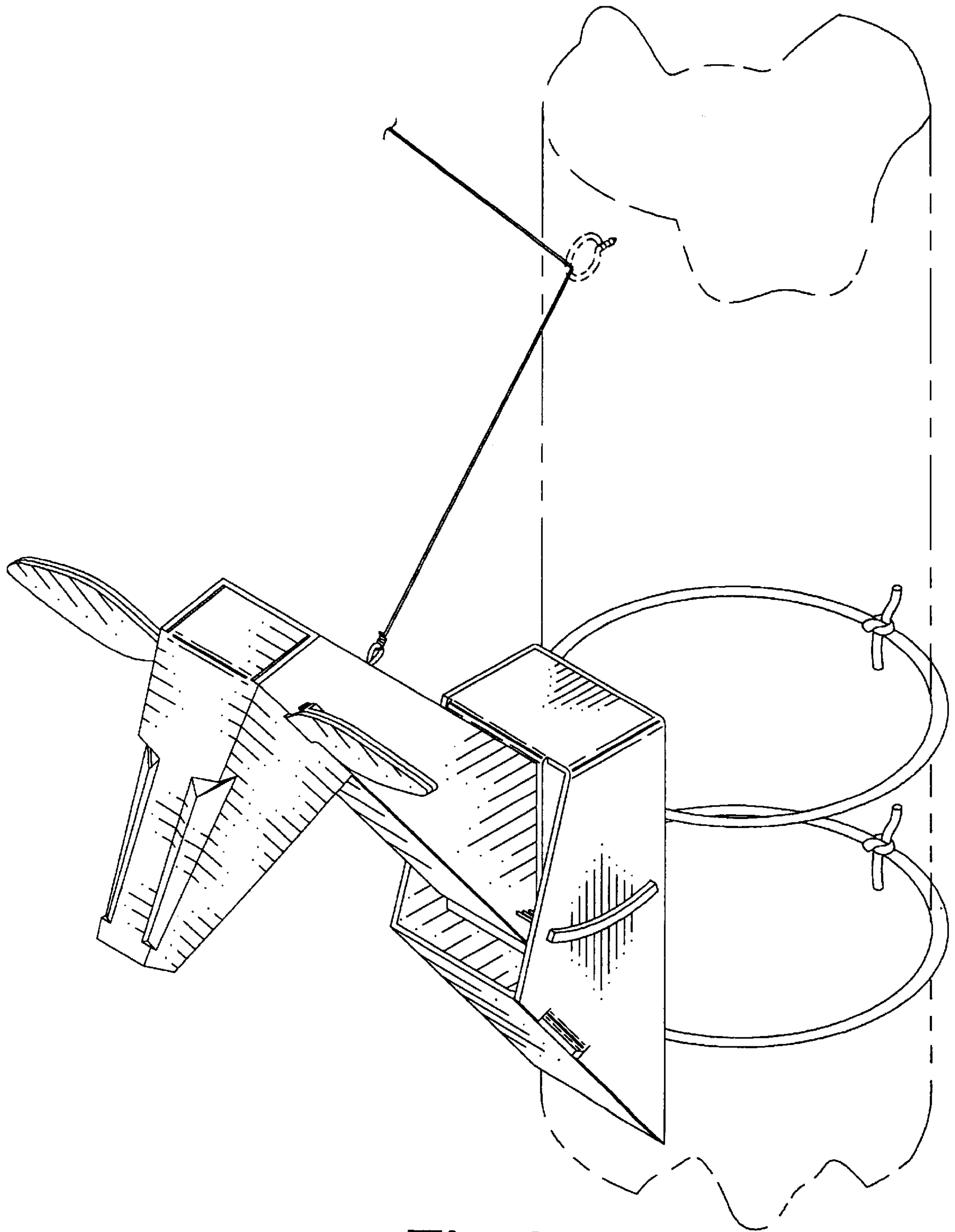


Fig. 2

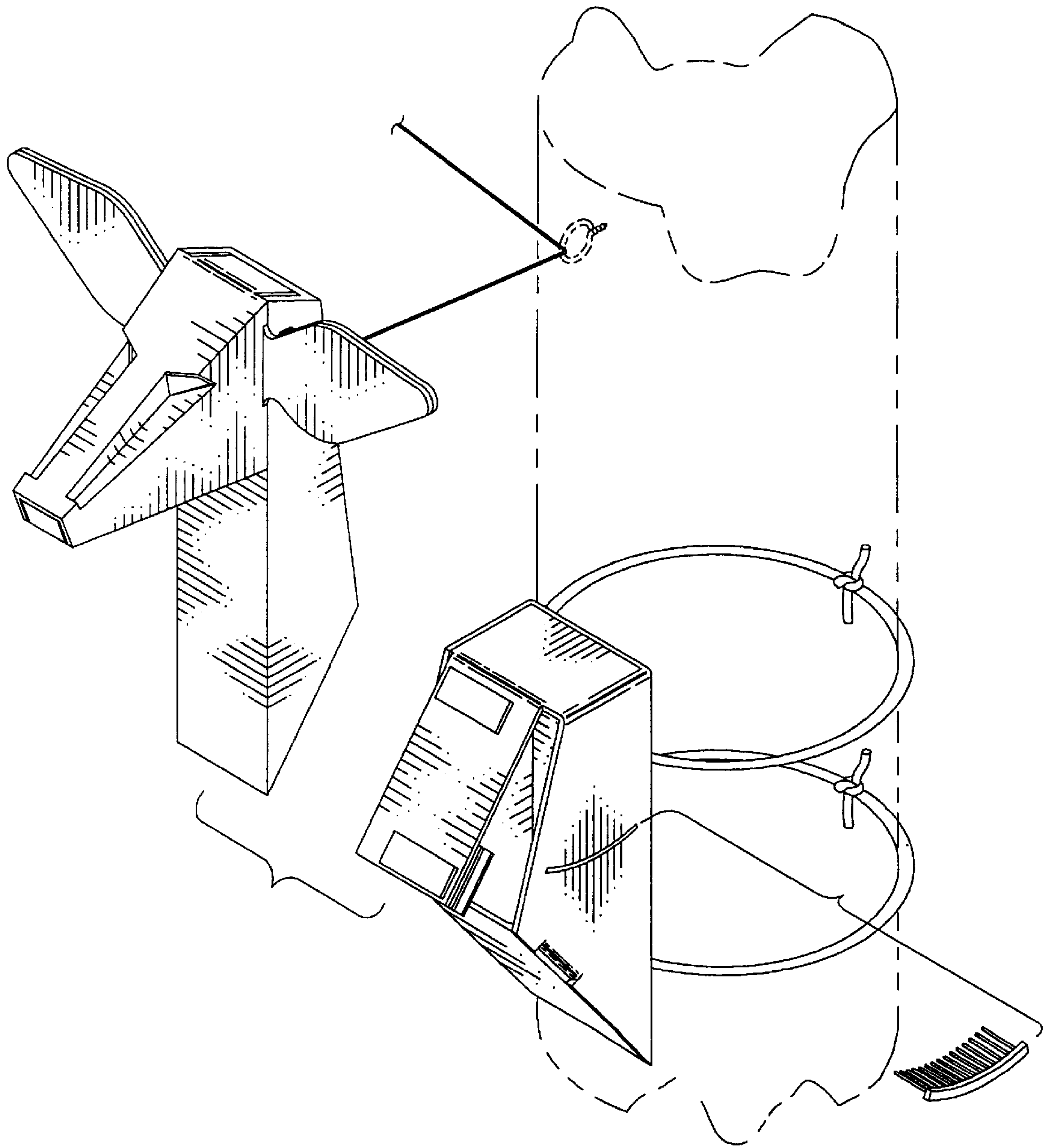
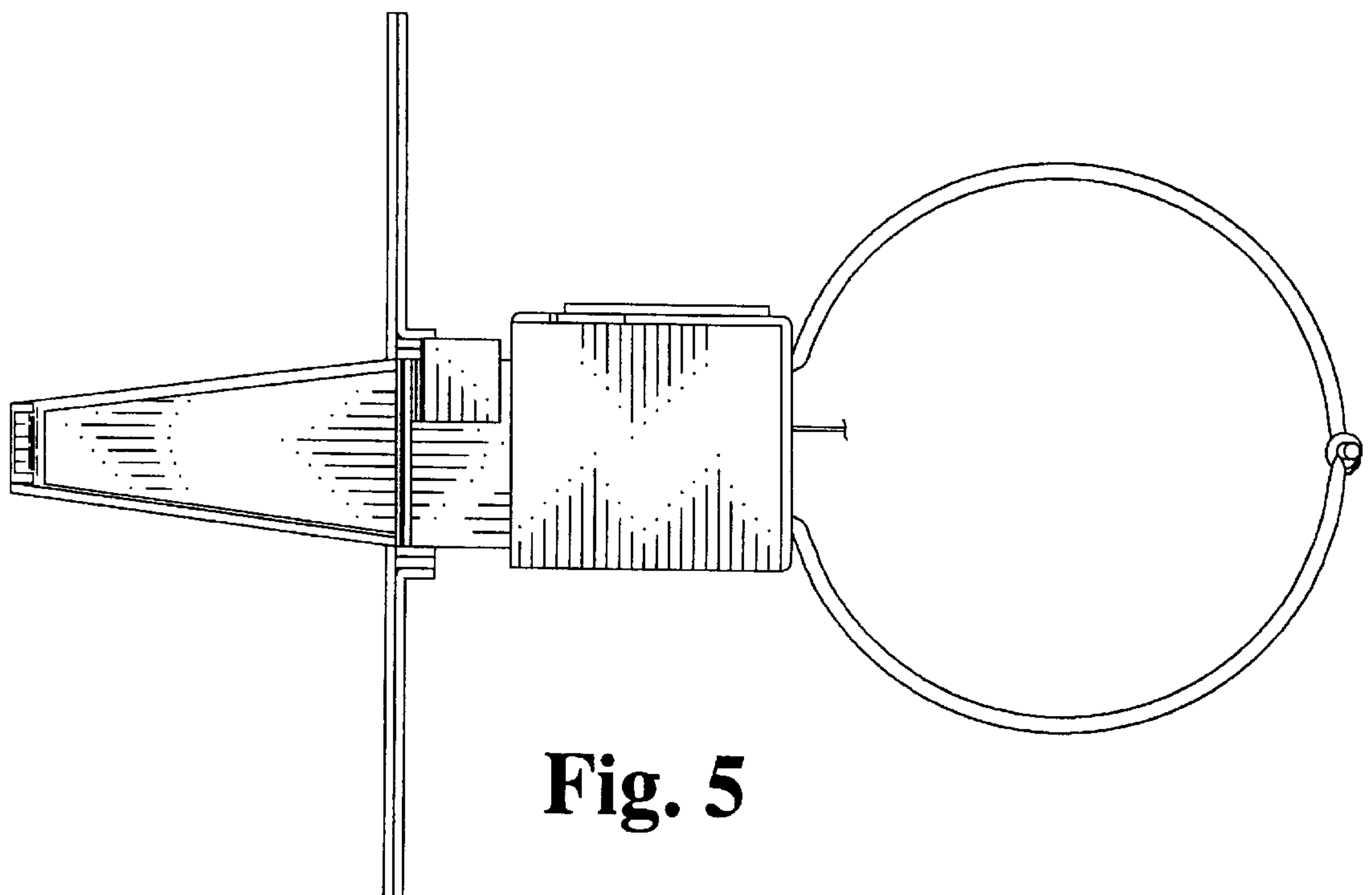
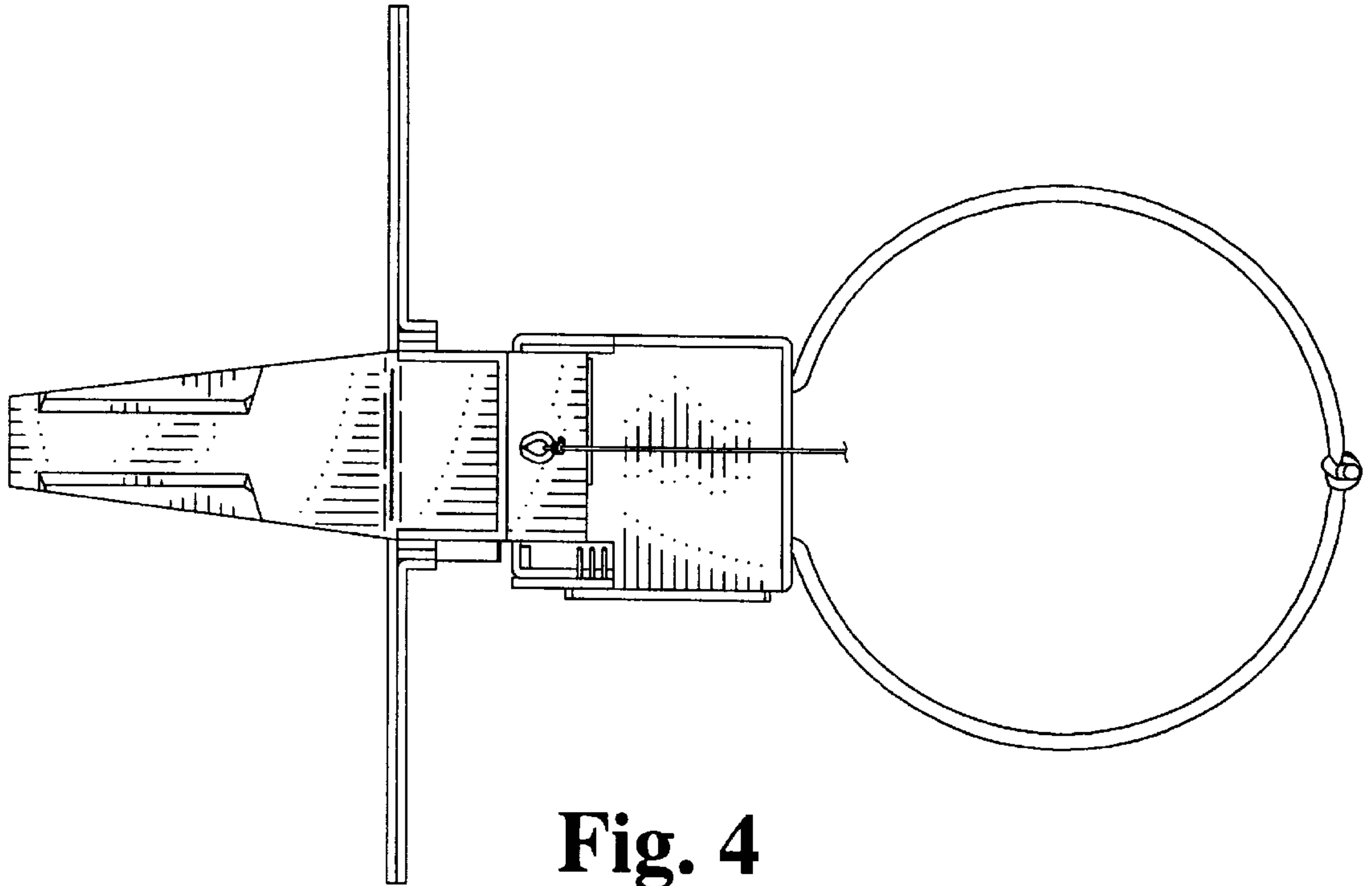


Fig. 3



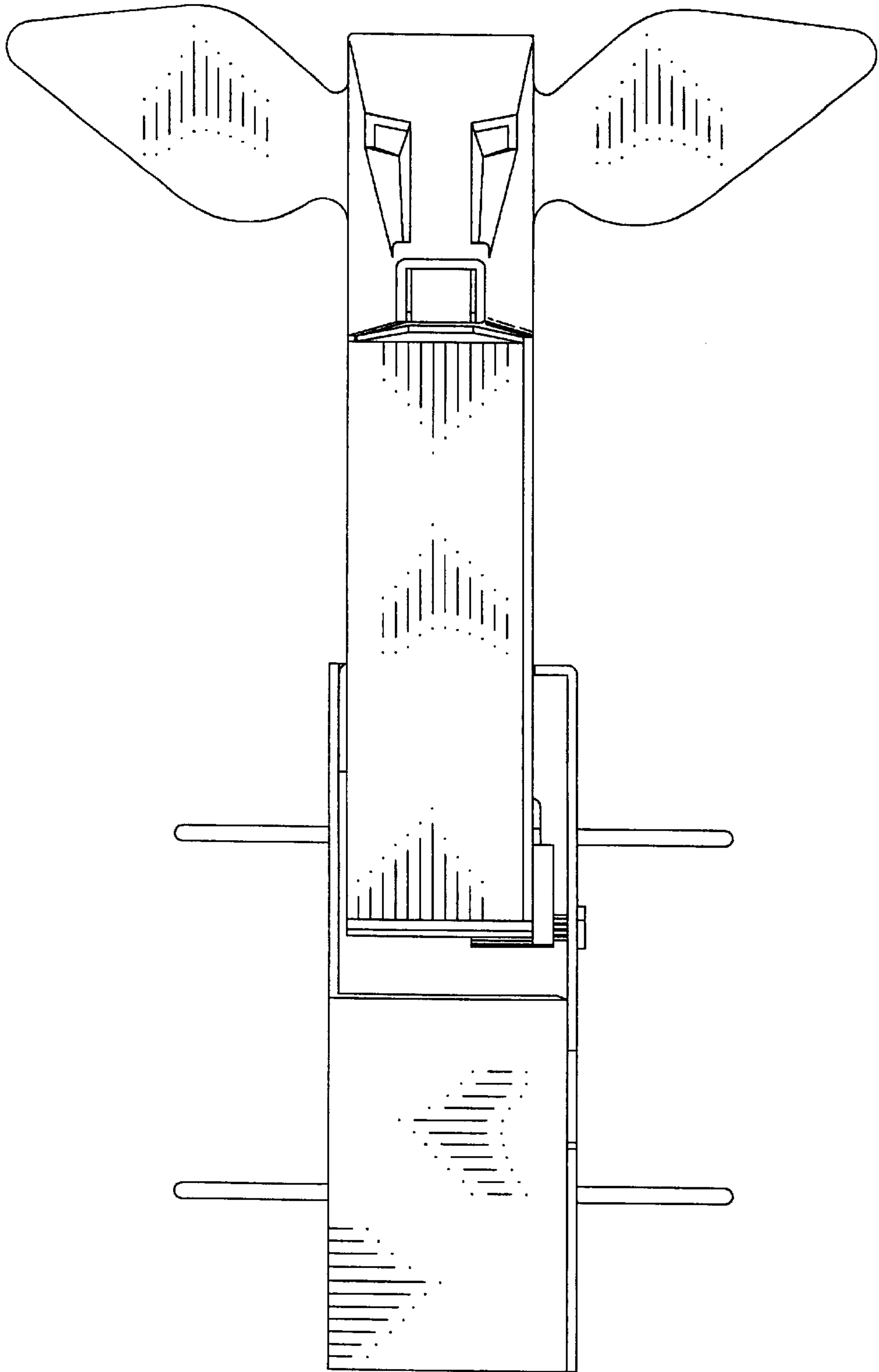


Fig. 6

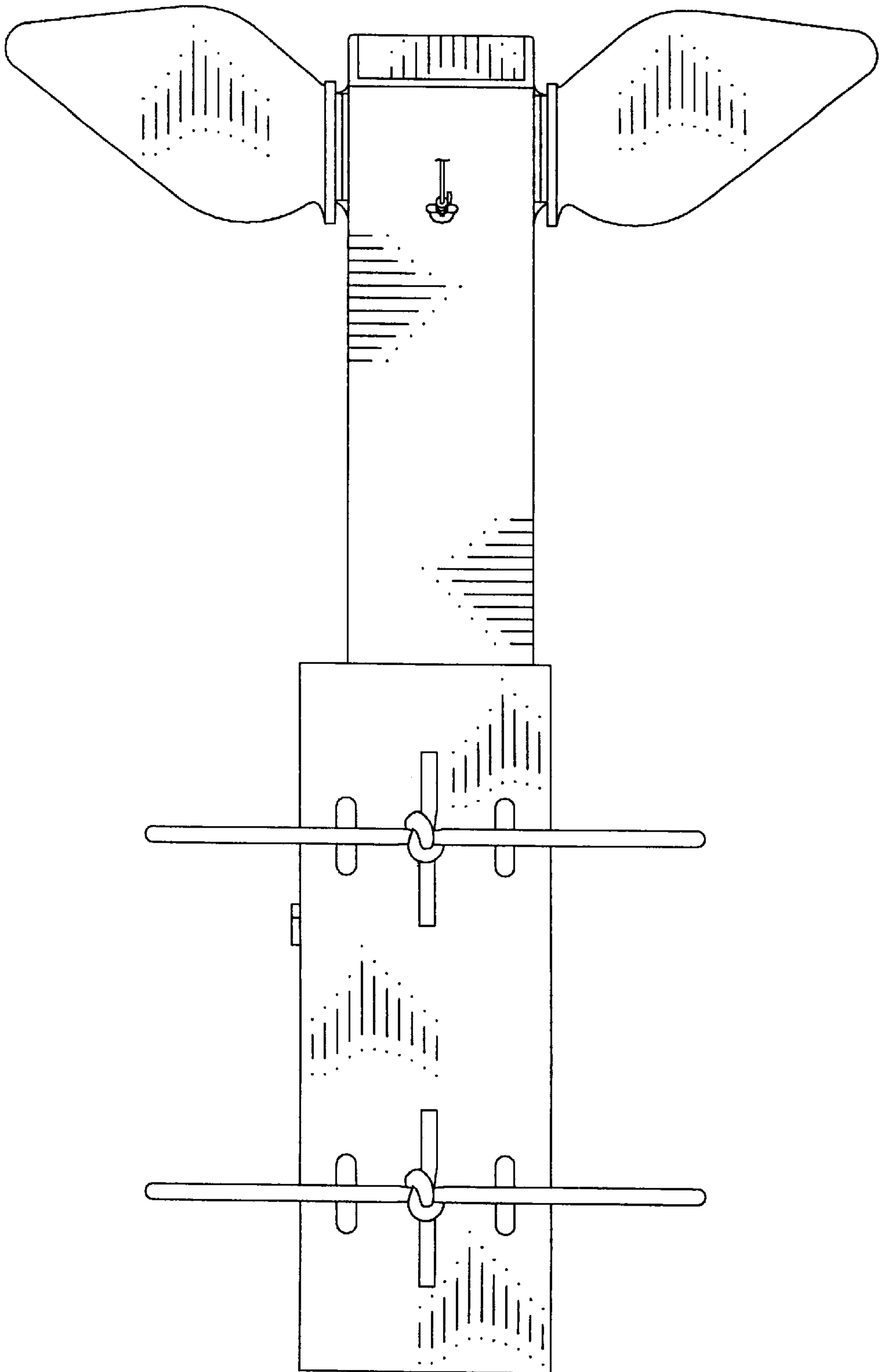


Fig. 7

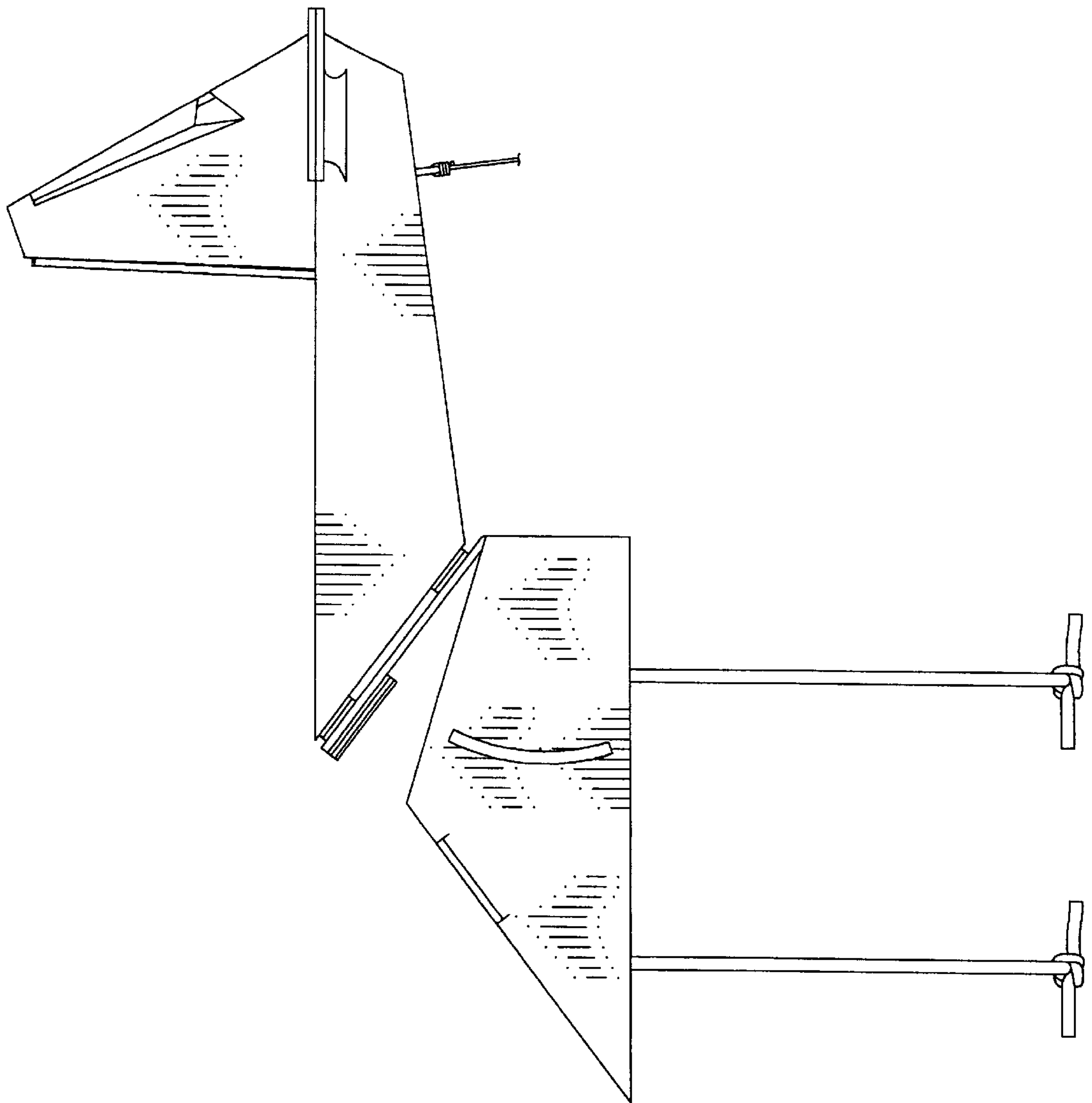


Fig. 8

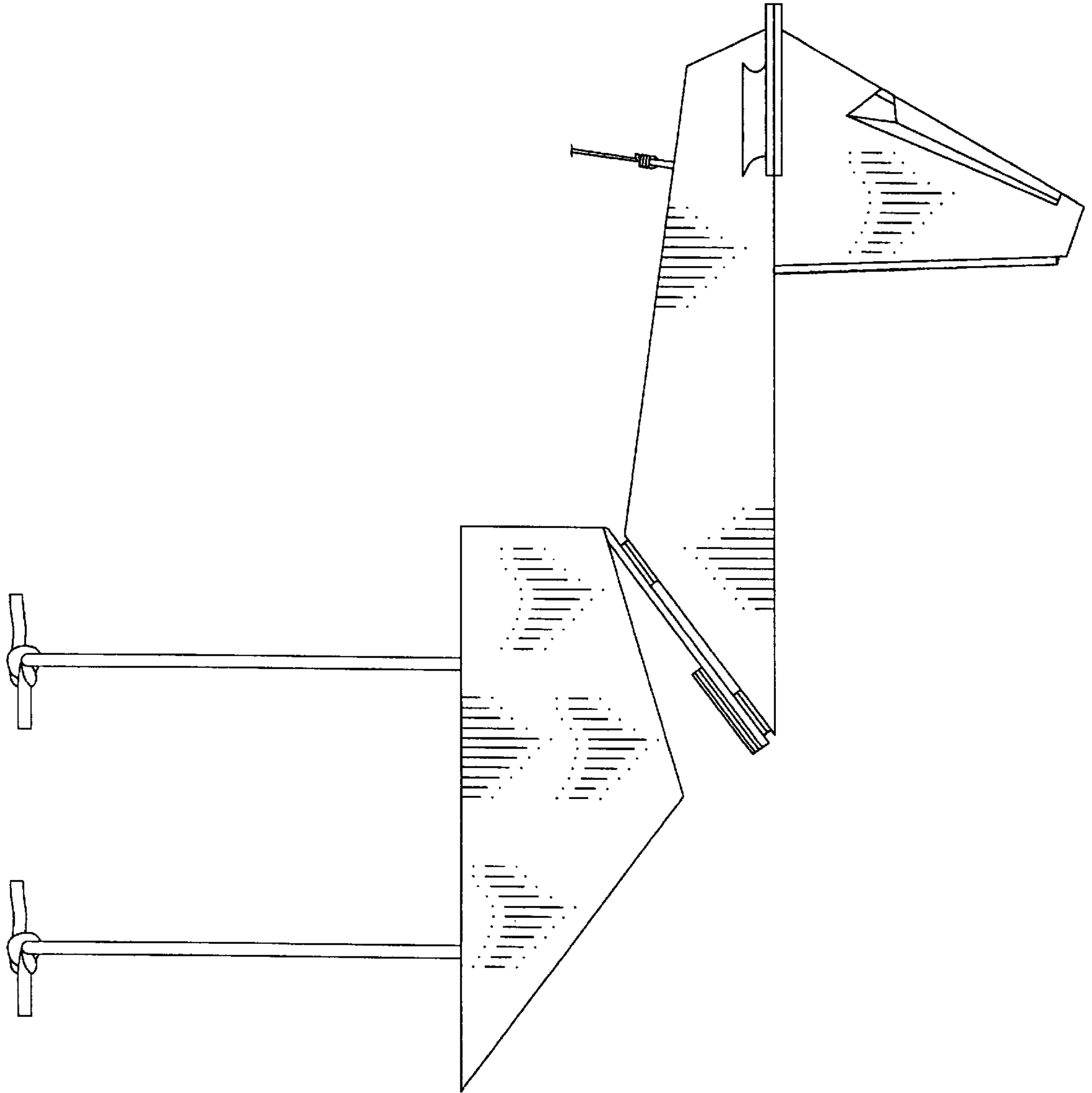


Fig. 9