



US00D426265S

United States Patent [19] Black

[11] **Patent Number: Des. 426,265**
[45] **Date of Patent: ** Jun. 6, 2000**

[54] **POETRY MAGNET BOARD**

[76] Inventor: **Cynthia D. Black**, 40 Schley St., Newark, N.J. 07112

[**] Term: **14 Years**

[21] Appl. No.: **29/093,895**

[22] Filed: **Sep. 21, 1998**

[51] **LOC (7) Cl.** **19-07**

[52] **U.S. Cl.** **D19/59; D19/52**

[58] **Field of Search** D21/404; D26/58;
D19/35, 36, 59, 52, 60, 62, 64; 434/168,
172; 446/129, 131-139

[56] **References Cited**

U.S. PATENT DOCUMENTS

D. 366,280	1/1996	Henderson	D19/52
1,572,433	2/1926	Jones	434/172
1,674,095	6/1928	Buedingen	434/168
2,524,548	10/1950	Speirs	434/168
3,103,751	9/1963	McDonald	.	
3,496,653	2/1970	Wolfner et al.	.	
3,726,026	4/1973	Borcherding	.	
3,765,679	10/1973	O'Connell	.	
3,853,321	12/1974	Claffie	.	
4,478,582	10/1984	Tucker	434/170
4,795,348	1/1989	Garthwaite	.	
5,006,000	4/1991	House	434/161
5,421,581	6/1995	Smith	.	
5,478,084	12/1995	Itkis	.	

OTHER PUBLICATIONS

“What on Earth” Catalog, Autumn, 1998, p. 19.

Primary Examiner—Martie K. Holtje

Attorney, Agent, or Firm—Richard C. Litman

[57] **CLAIM**

The ornamental design for a poetry magnet board, as shown and described.

DESCRIPTION

FIG. 1 is an environmental perspective view of a first

embodiment of a poetry magnet board showing my new design;

FIG. 2 is an environmental top plan view thereof;

FIG. 3 is a right side elevational view with the left side being a mirror image thereof;

FIG. 4 is a front elevational view thereof;

FIG. 5 is an environmental rear elevational view thereof;

FIG. 6 is an environmental perspective view of a second embodiment of a poetry magnet board showing my new design;

FIG. 7 is an environmental top plan view thereof;

FIG. 8 is a right side elevational view with the left side being a mirror image thereof;

FIG. 9 is a front elevational view thereof;

FIG. 10 is an environmental rear elevational view thereof;

FIG. 11 is an environmental perspective view of a third embodiment of a poetry magnet board showing my new design;

FIG. 12 is an environmental top plan view thereof;

FIG. 13 is a bottom plan view thereof;

FIG. 14 is a right side elevational view with the left side being a mirror image thereof;

FIG. 15 is a front elevational view thereof;

FIG. 16 is an environmental rear elevational view thereof;

FIG. 17 is an environmental perspective view of a fourth embodiment of a poetry magnet board showing my new design;

FIG. 18 is an environmental top plan view thereof;

FIG. 19 is a bottom plan view thereof;

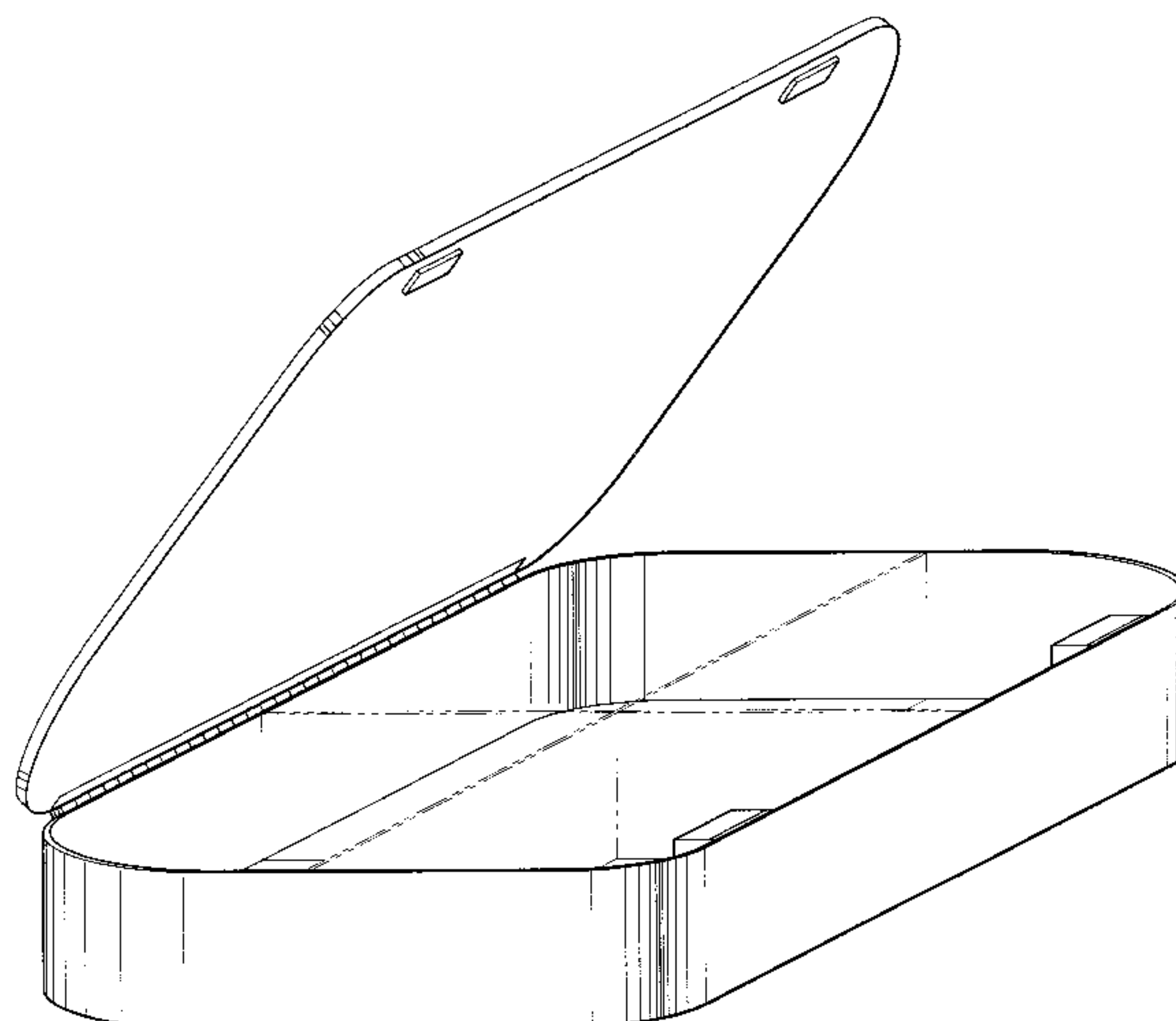
FIG. 20 is a right side elevational view with the left side being a mirror image thereof;

FIG. 21 is a front elevational view thereof; and,

FIG. 22 is an environmental rear elevational view thereof.

The broken line showing of the partitions in FIGS. 1, 2, 6, 7, 11, 12, 17 and 18 is for illustrative purposes only, merely showing the types of partitions which may be used, and forms no part of the claimed design. The broken line showing of the words in FIGS. 5, 10, 16, and 22 is for illustrative purposes only and forms no part of the claimed design.

1 Claim, 17 Drawing Sheets



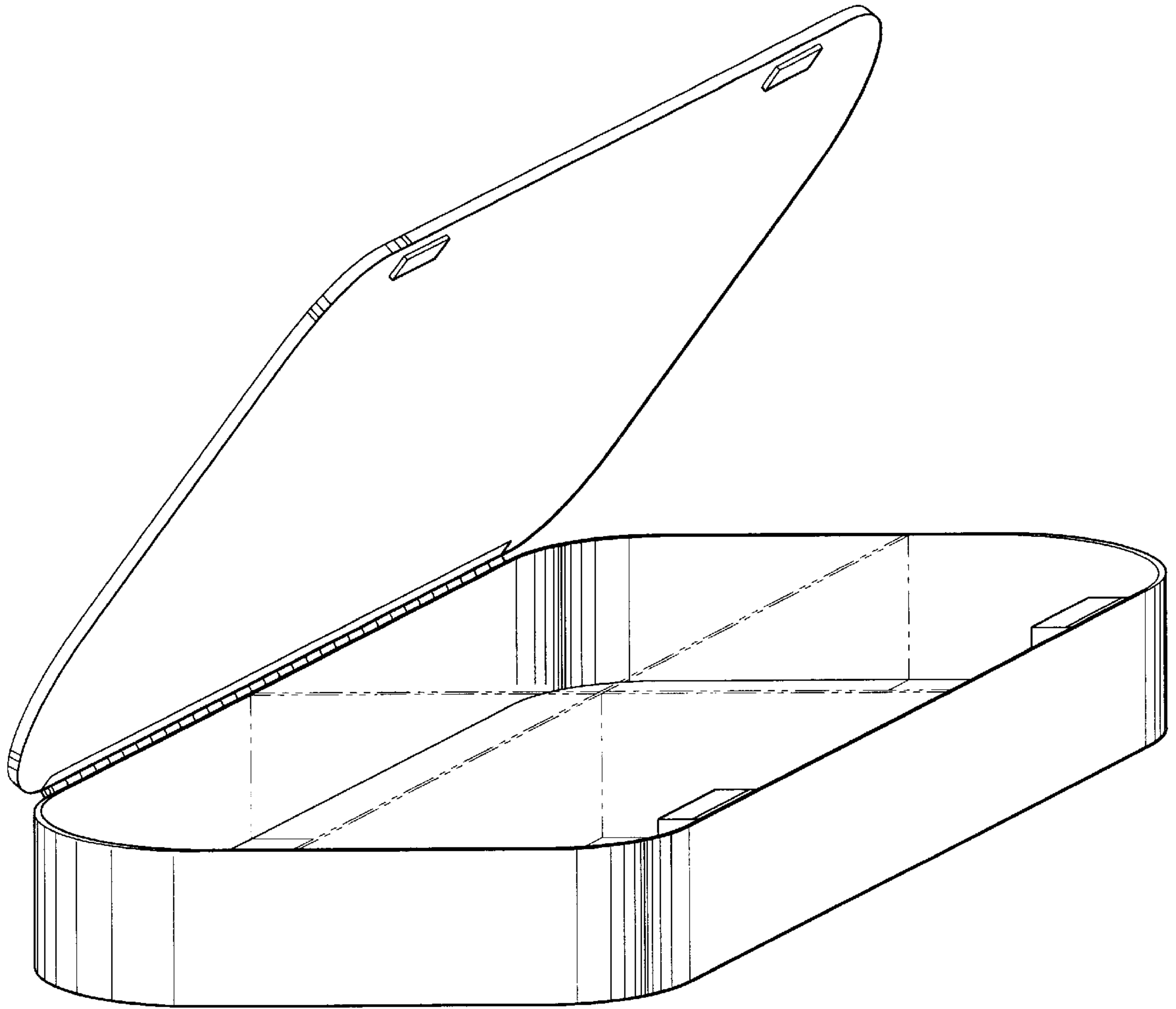


Fig. 1

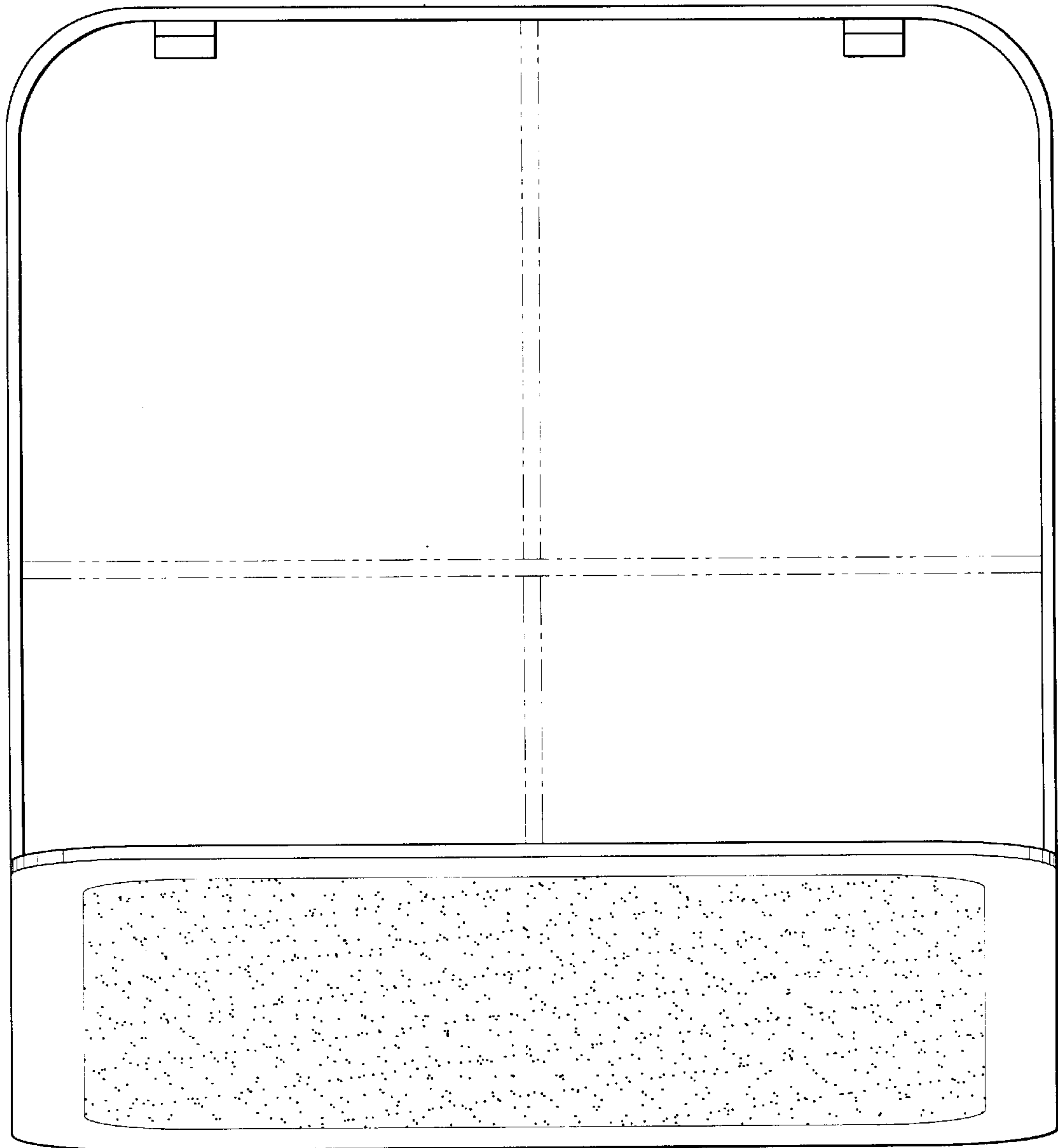


Fig. 2

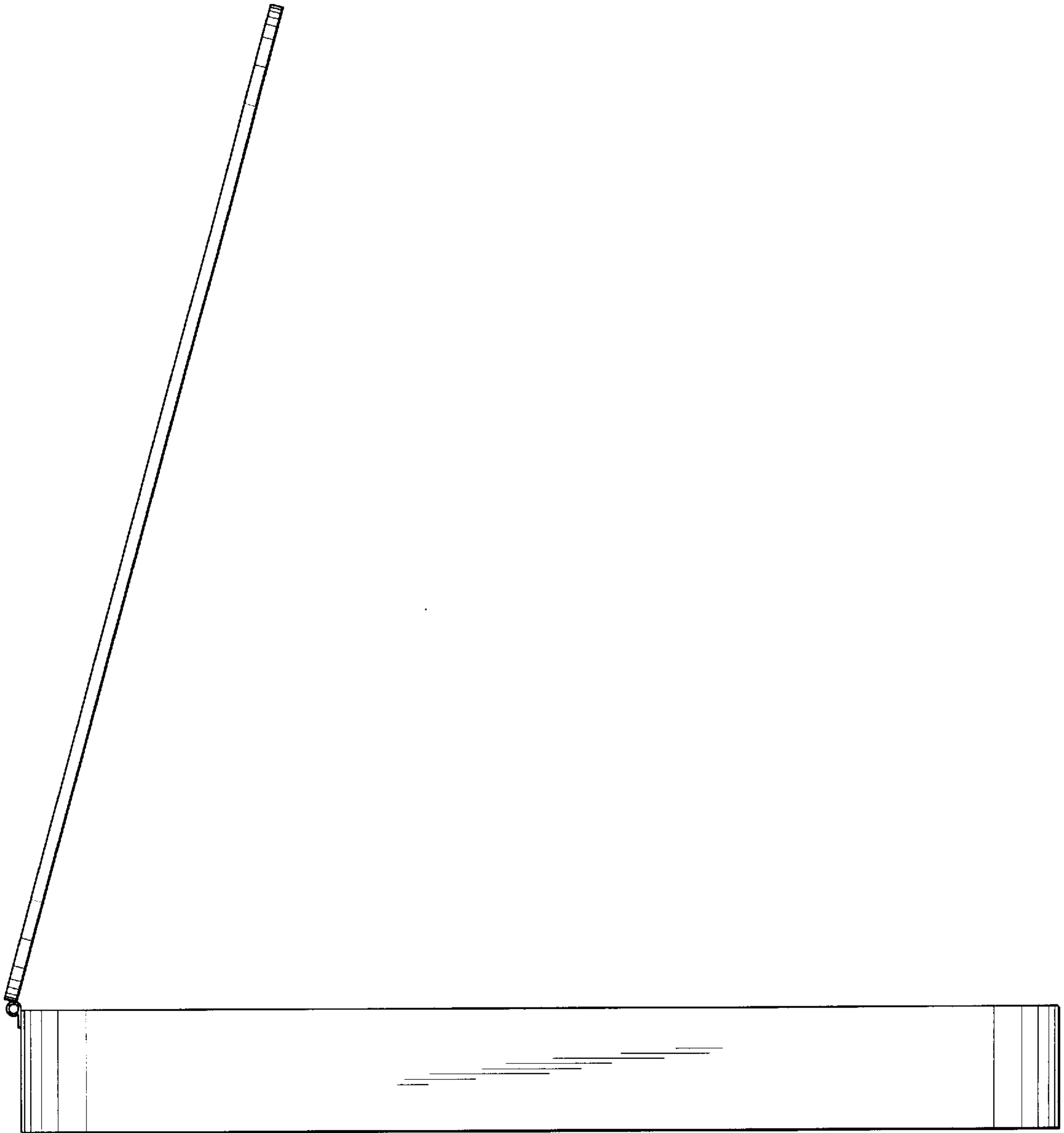


Fig. 3

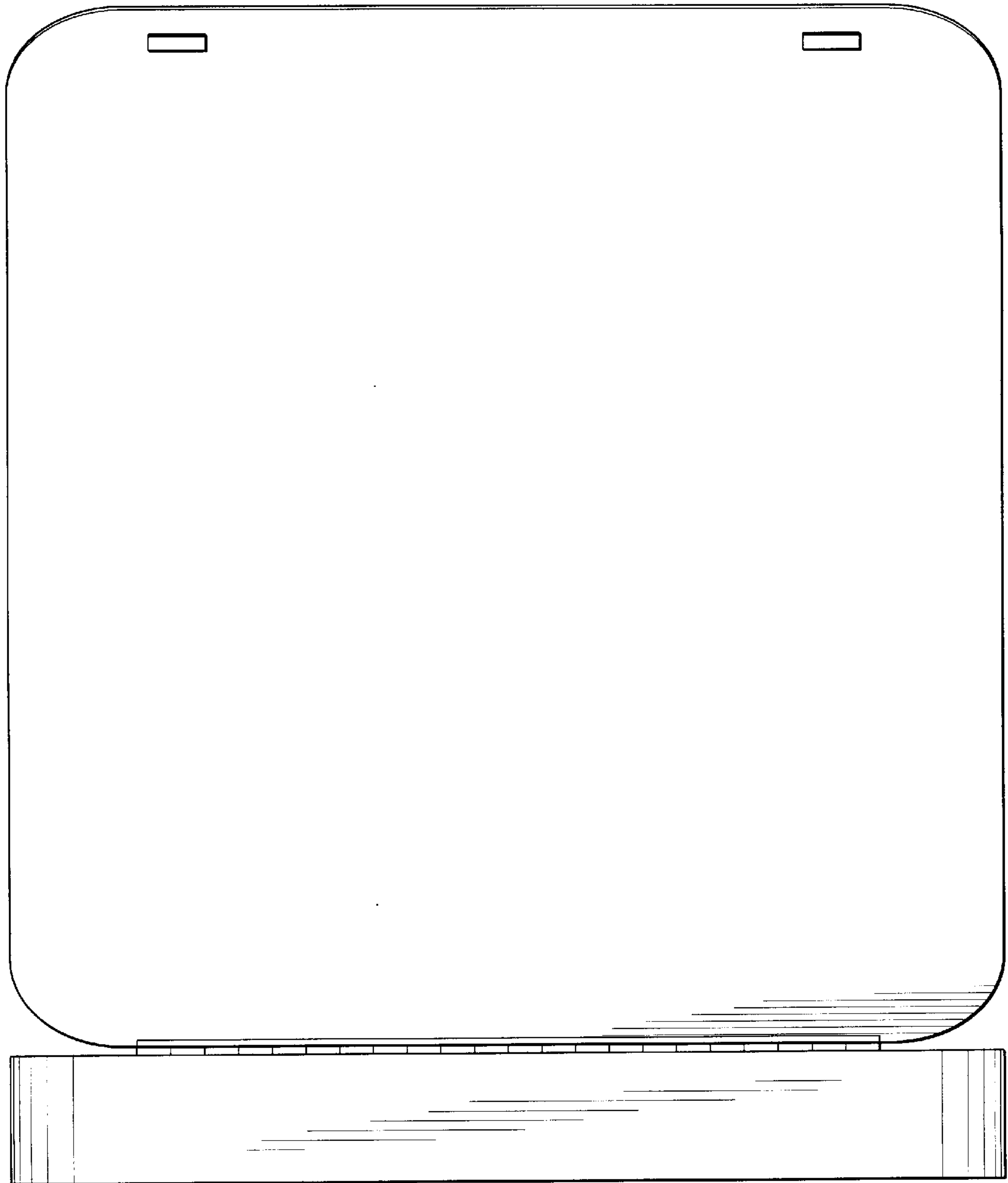


Fig. 4

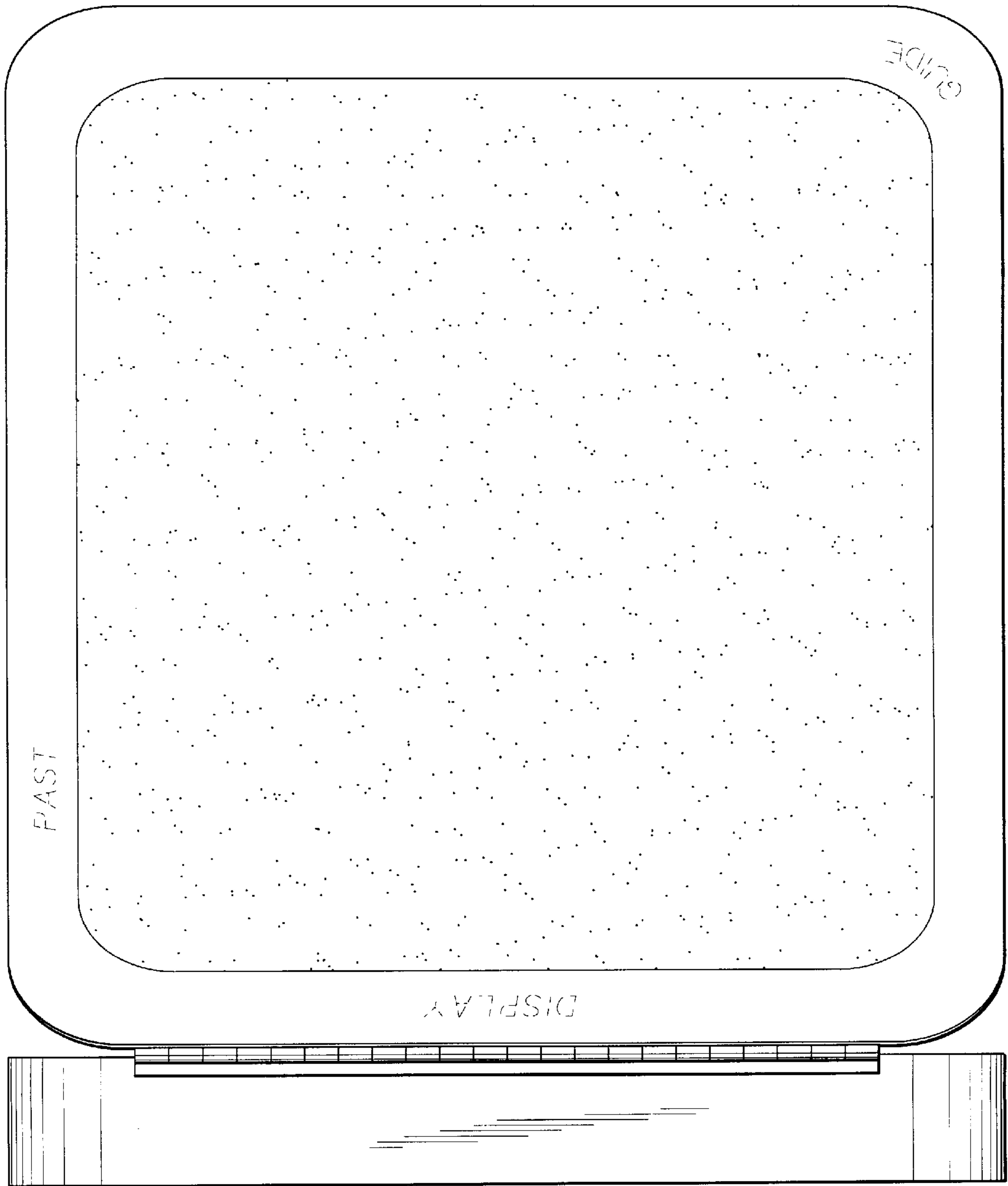


Fig. 5

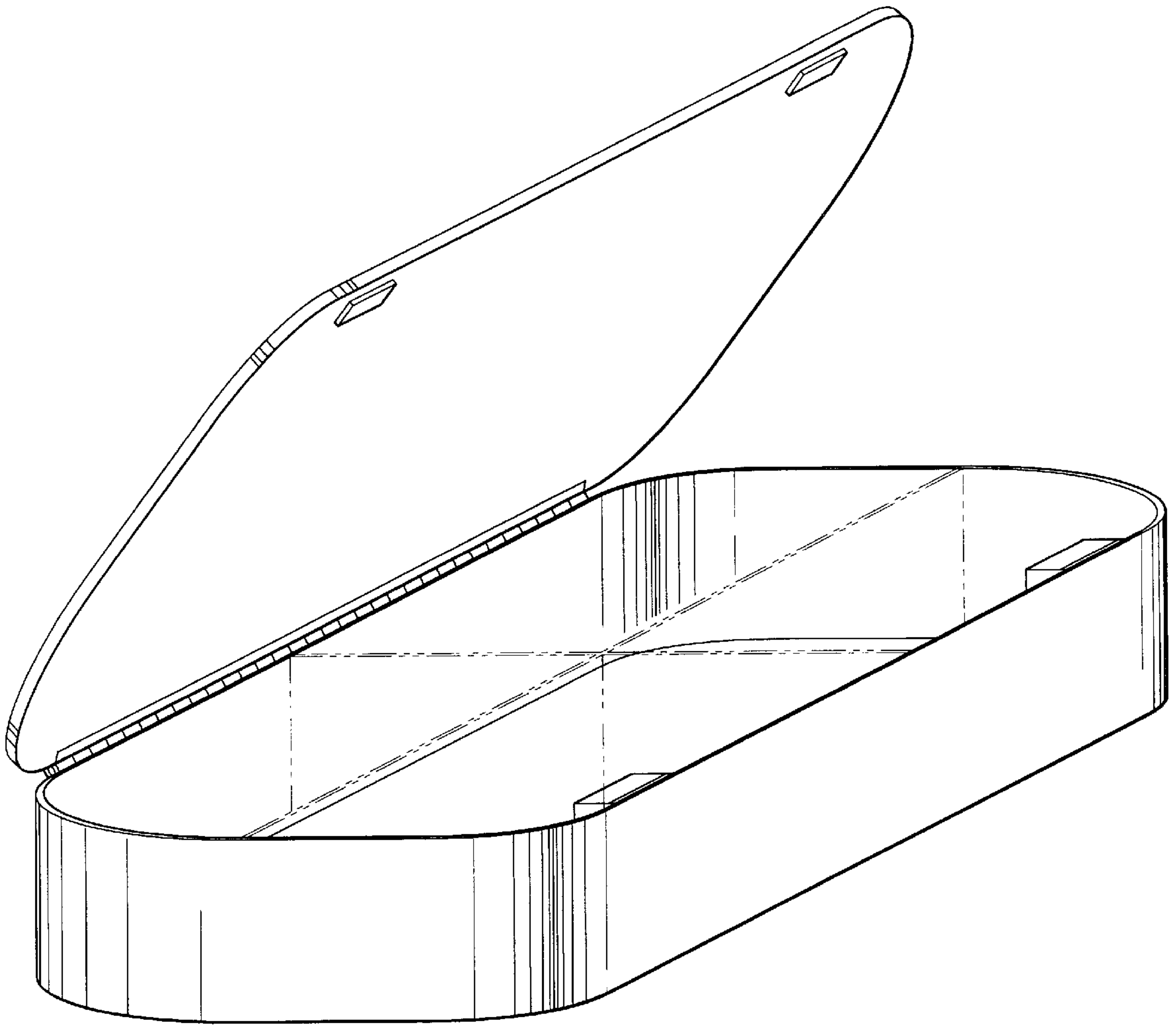


Fig. 6

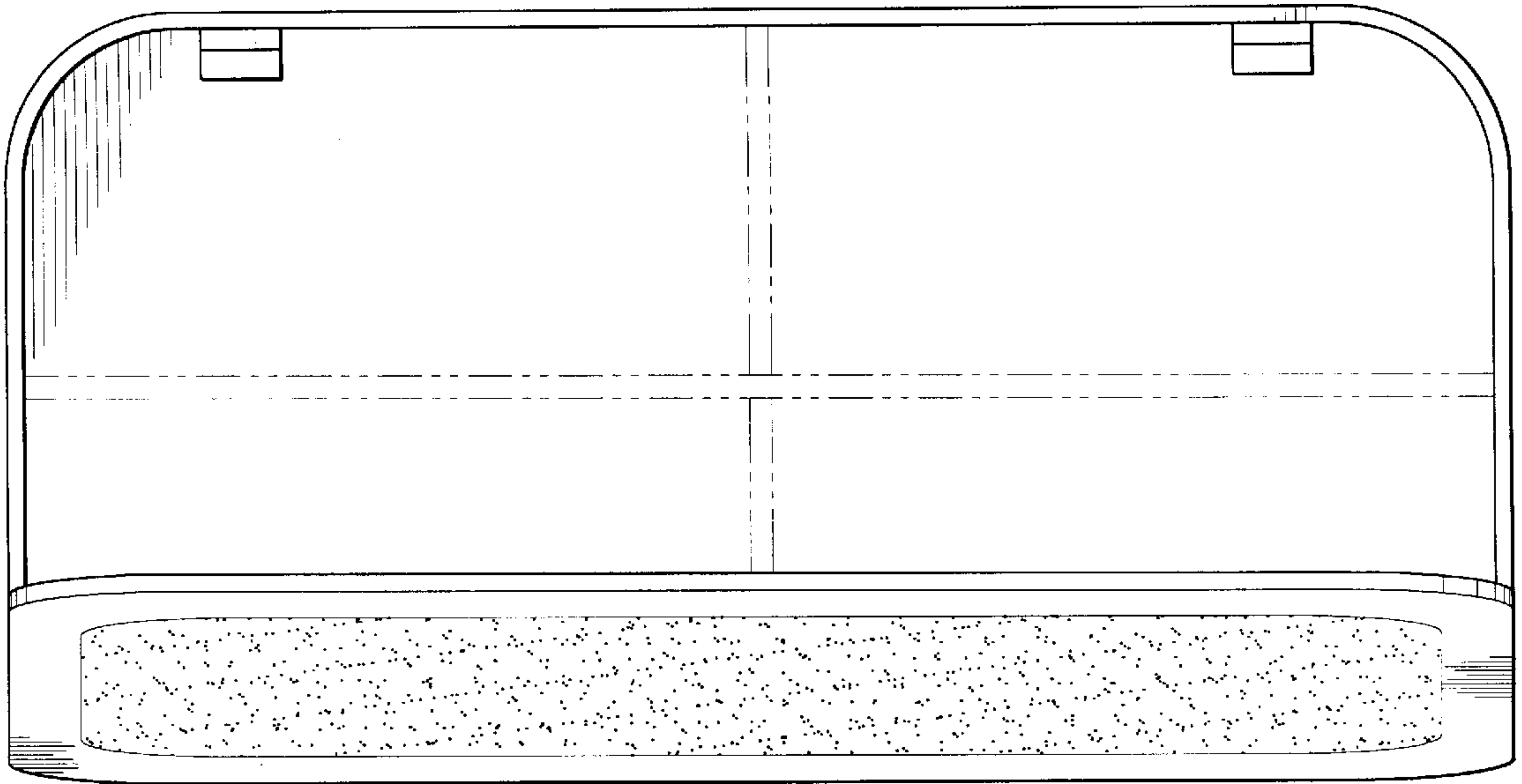


Fig. 7

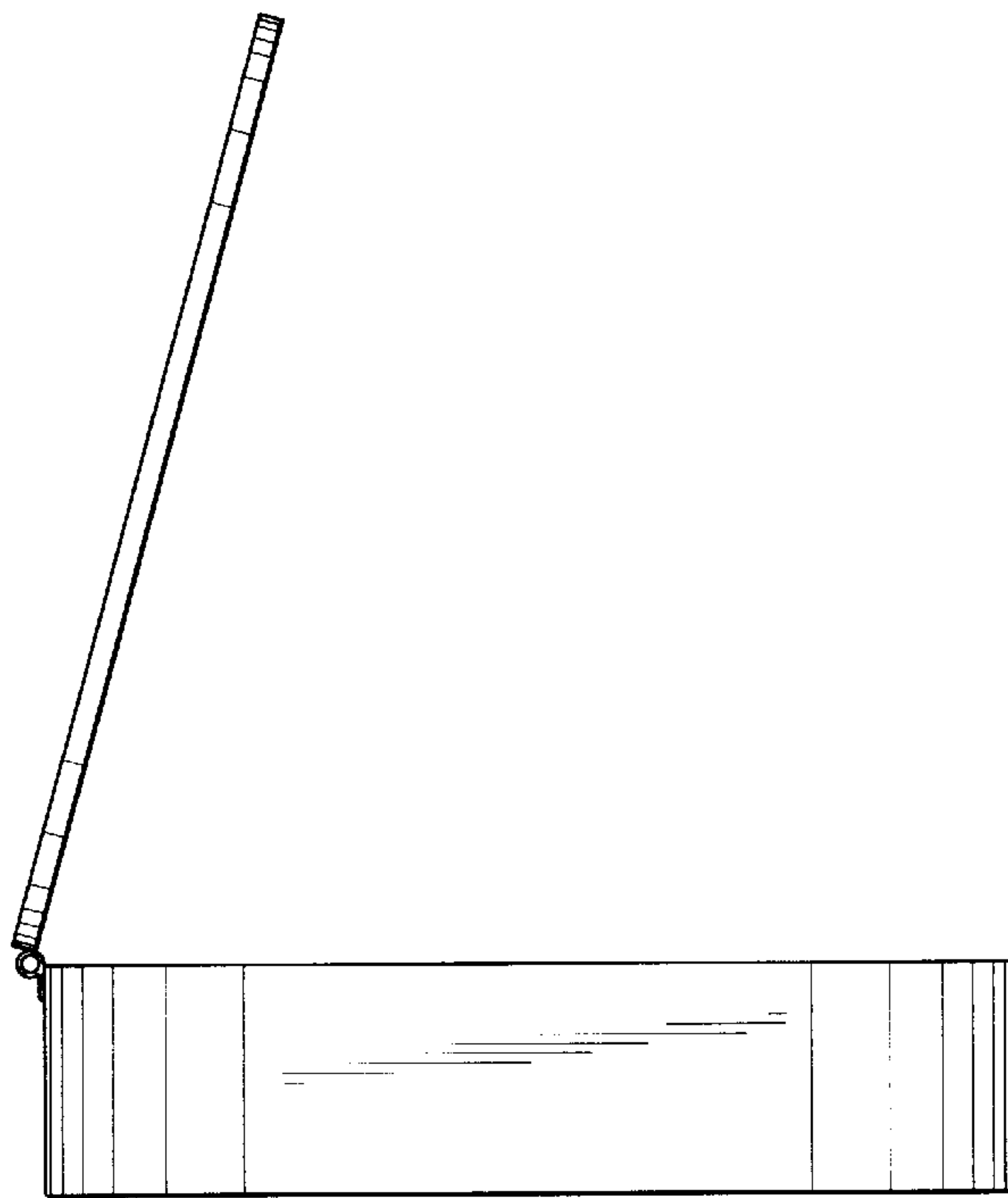


Fig. 8

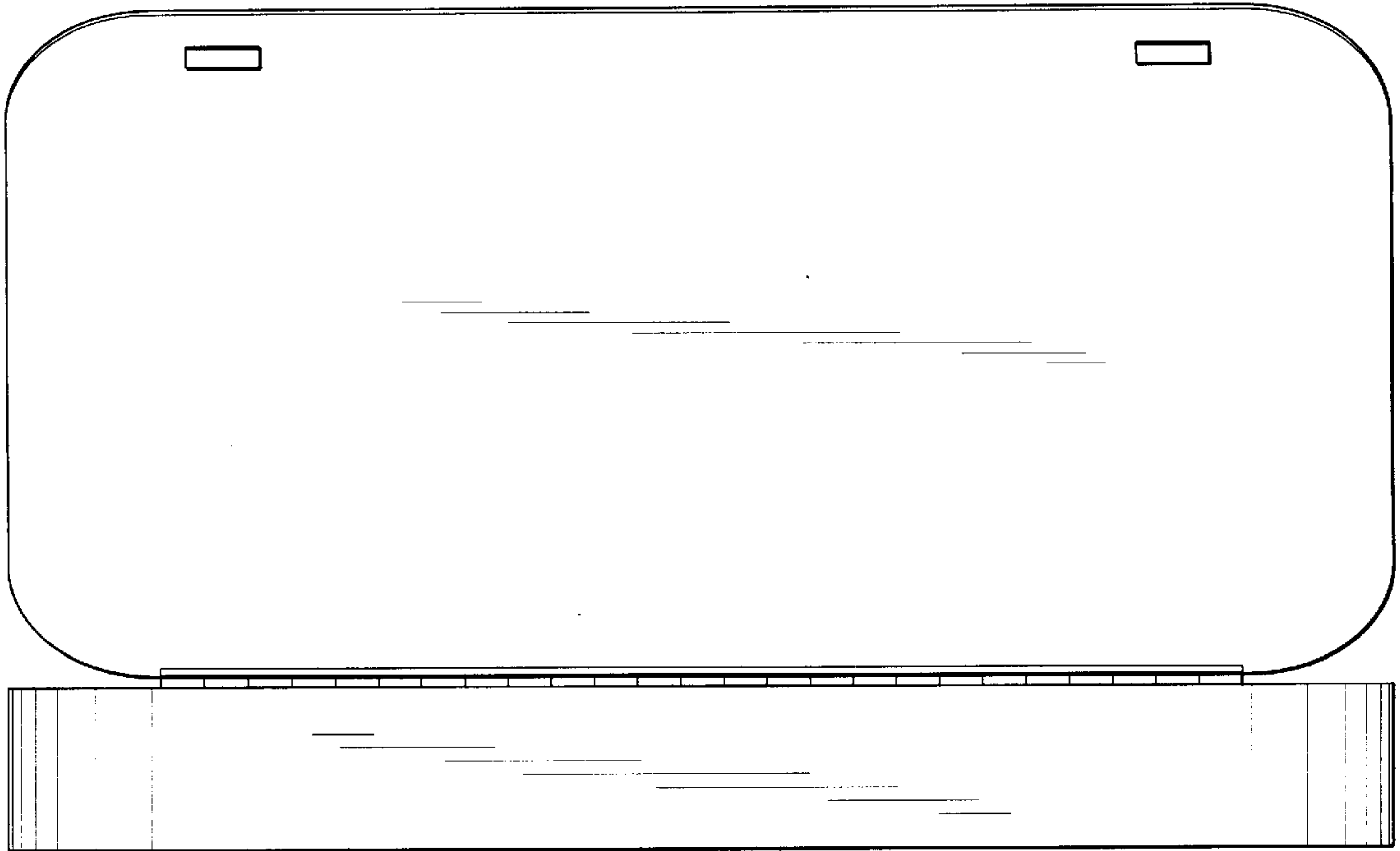


Fig. 9

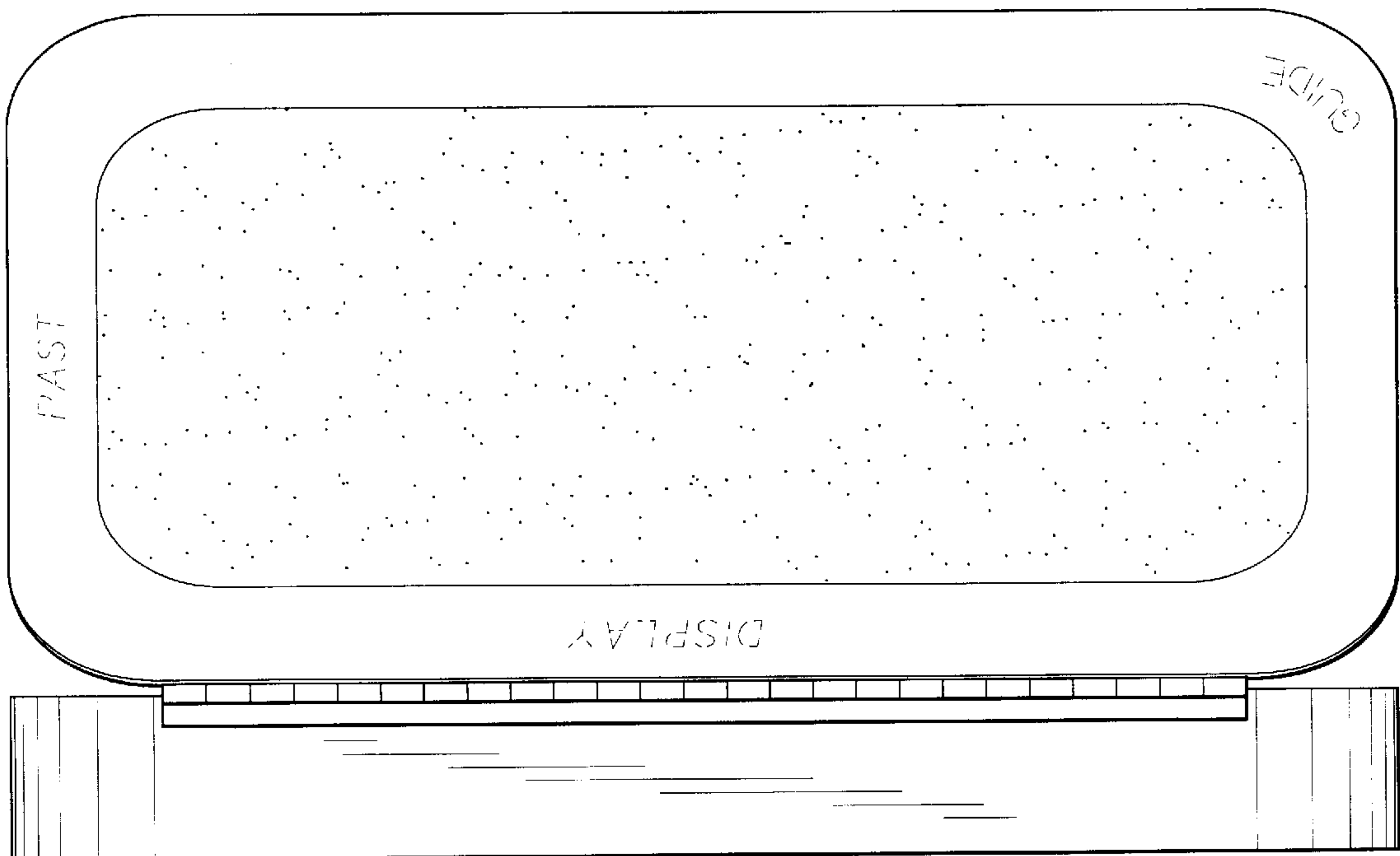


Fig. 10

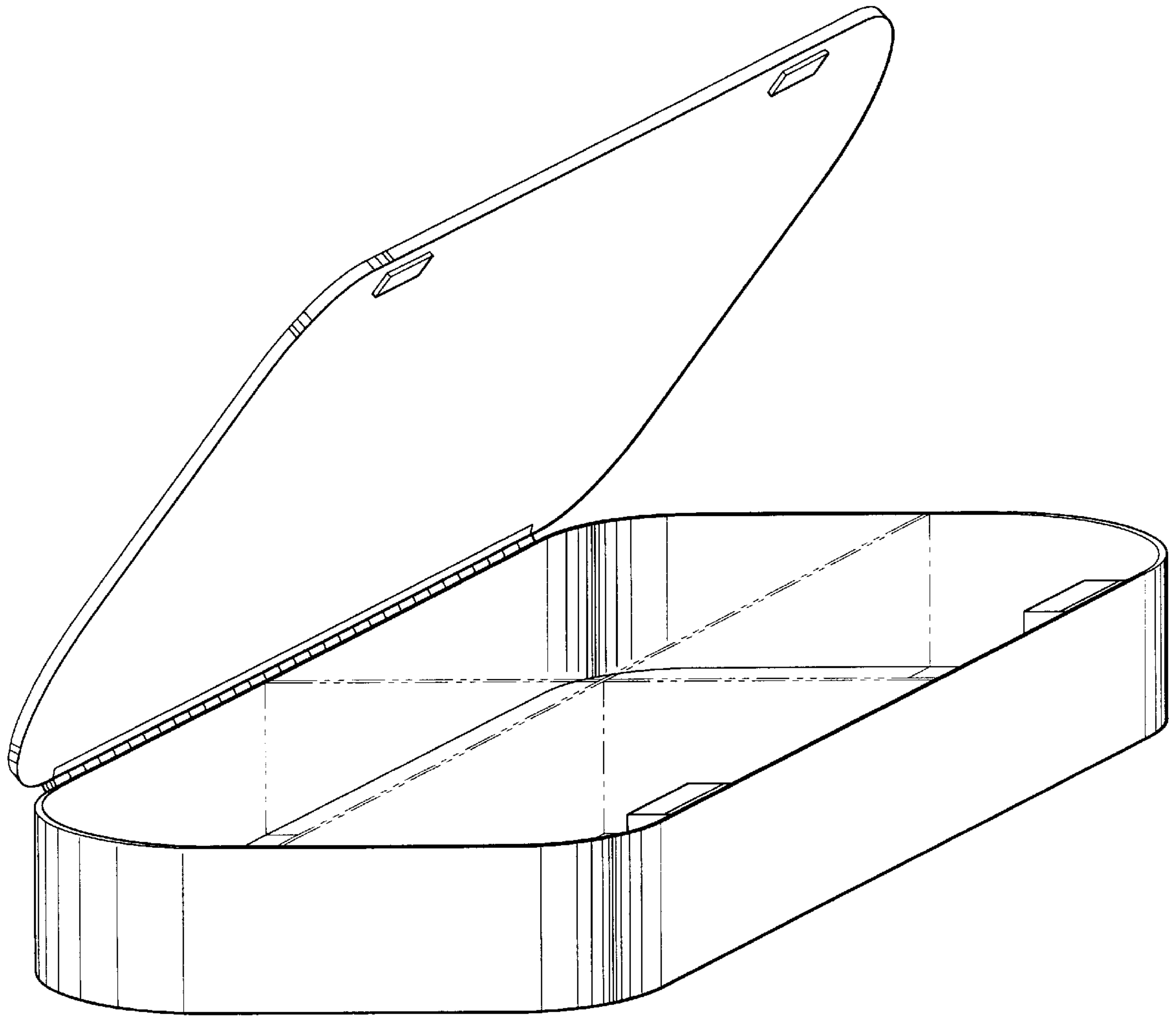


Fig. 11

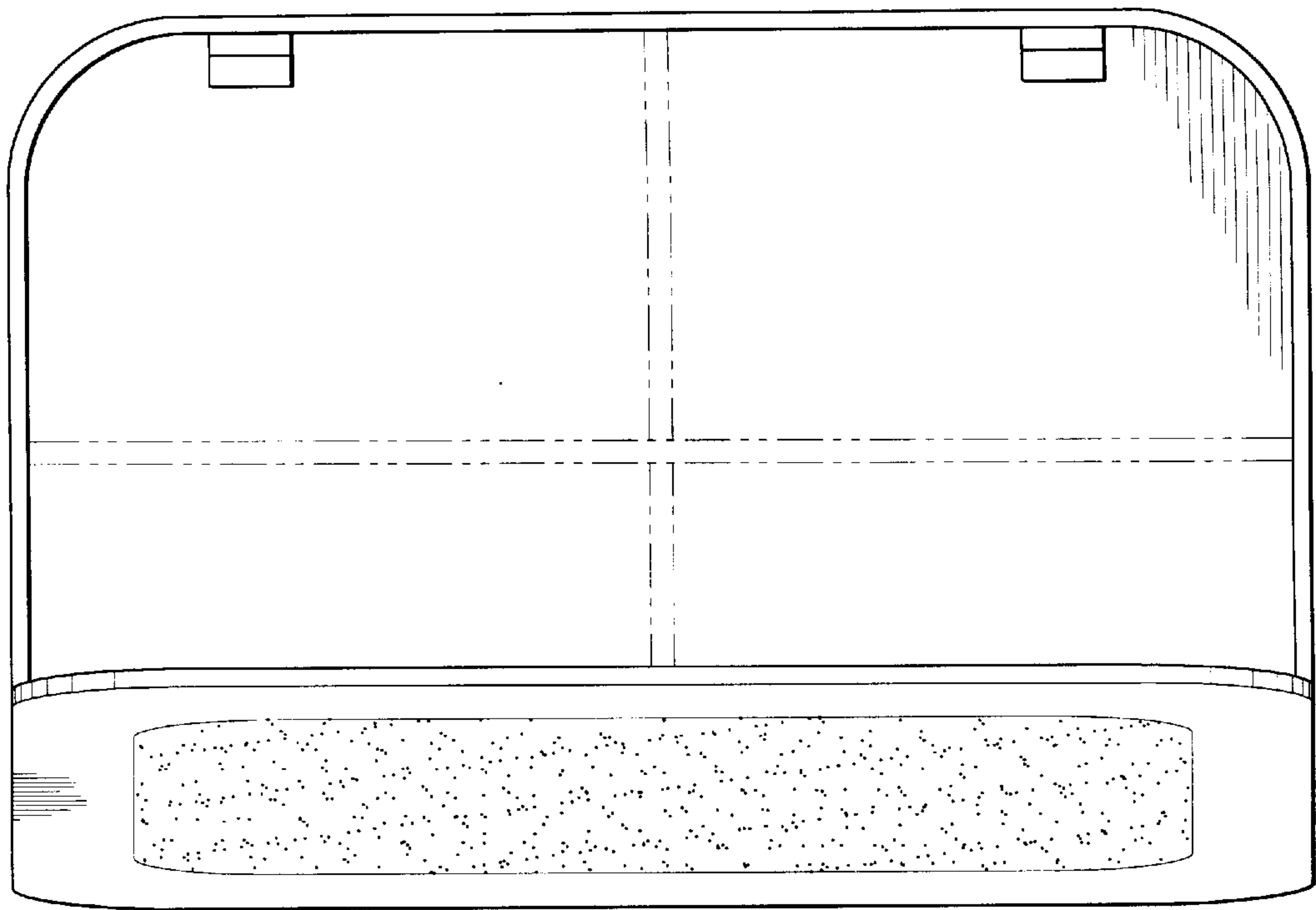


Fig. 12

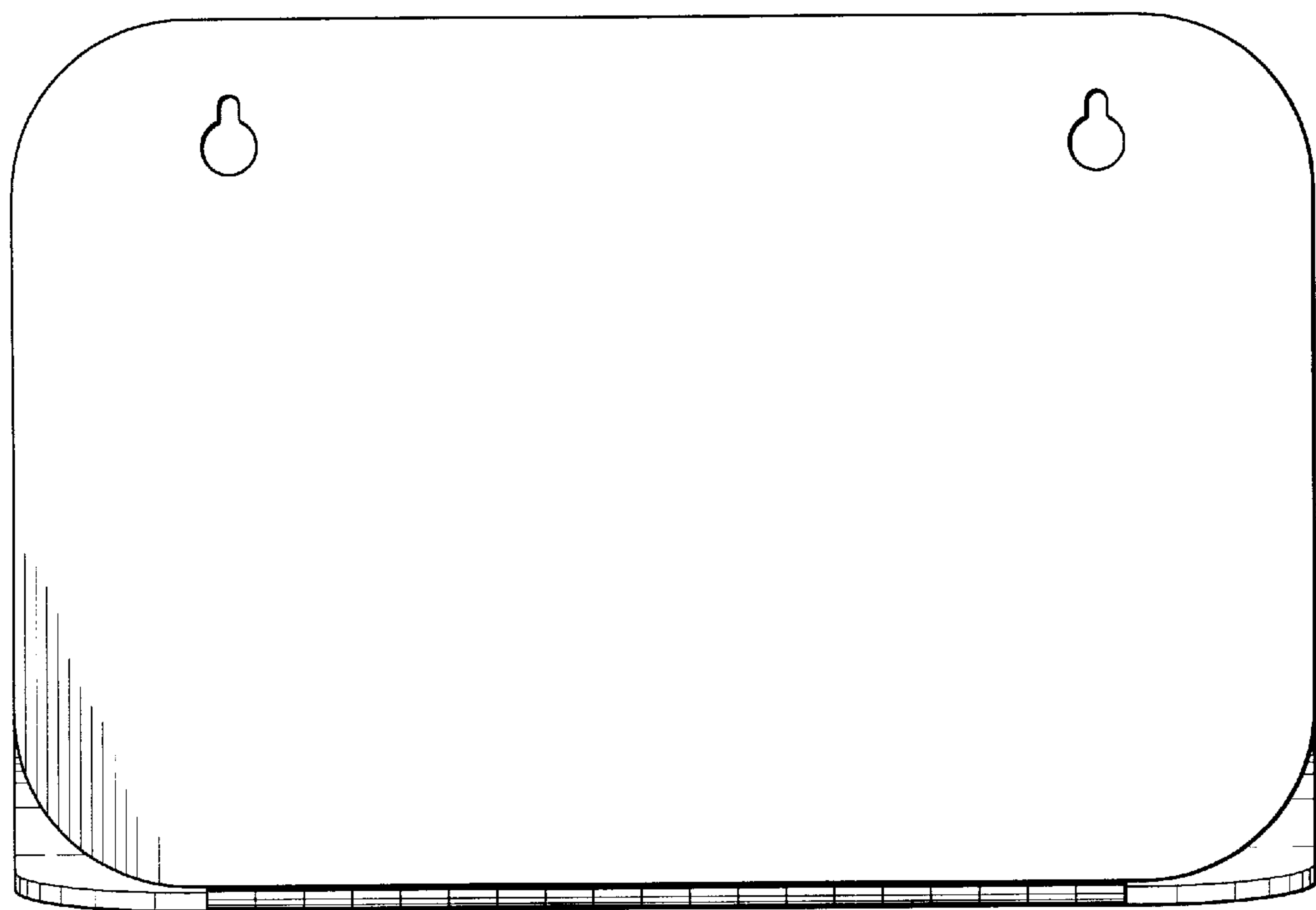


Fig. 13

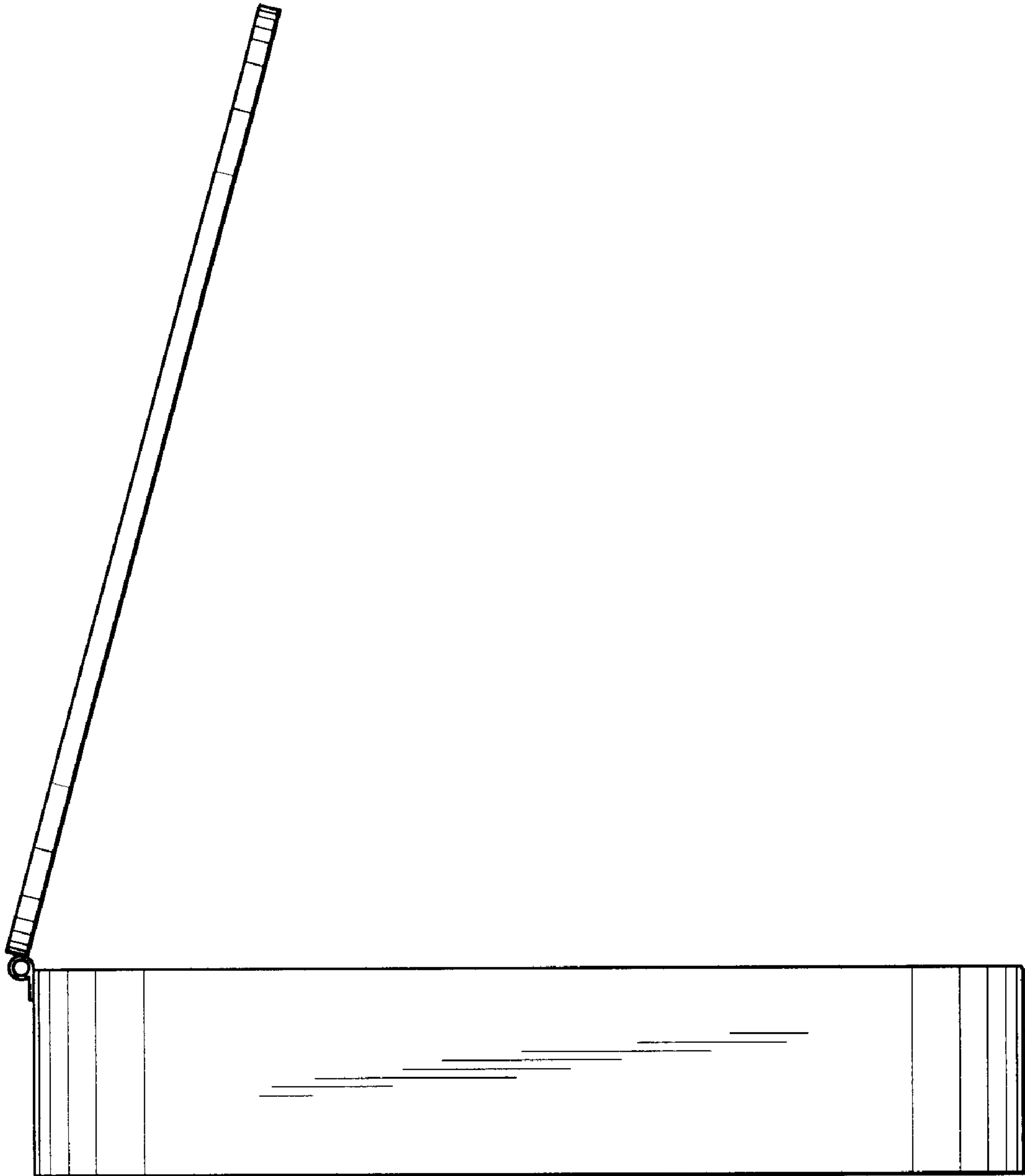


Fig. 14

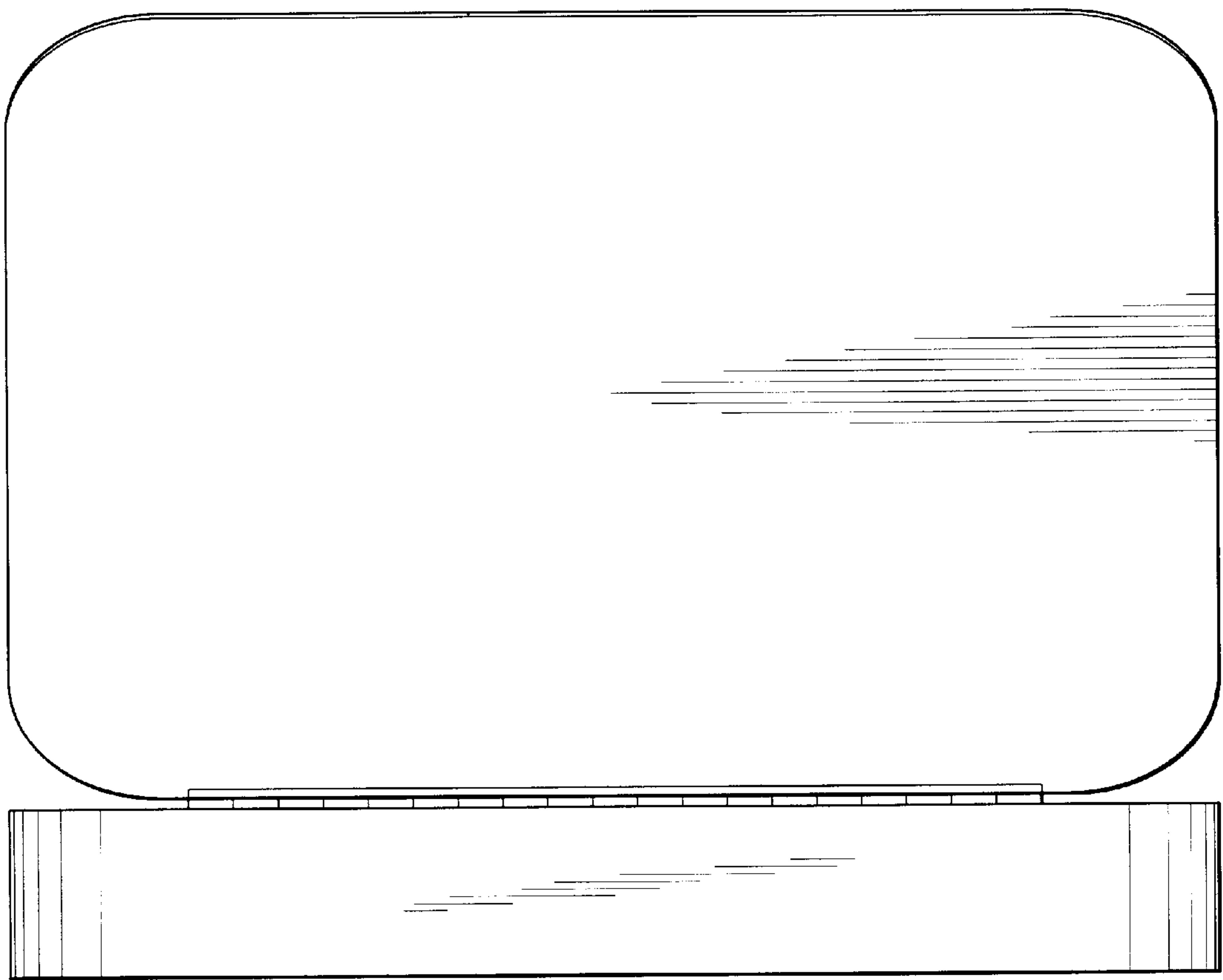


Fig. 15

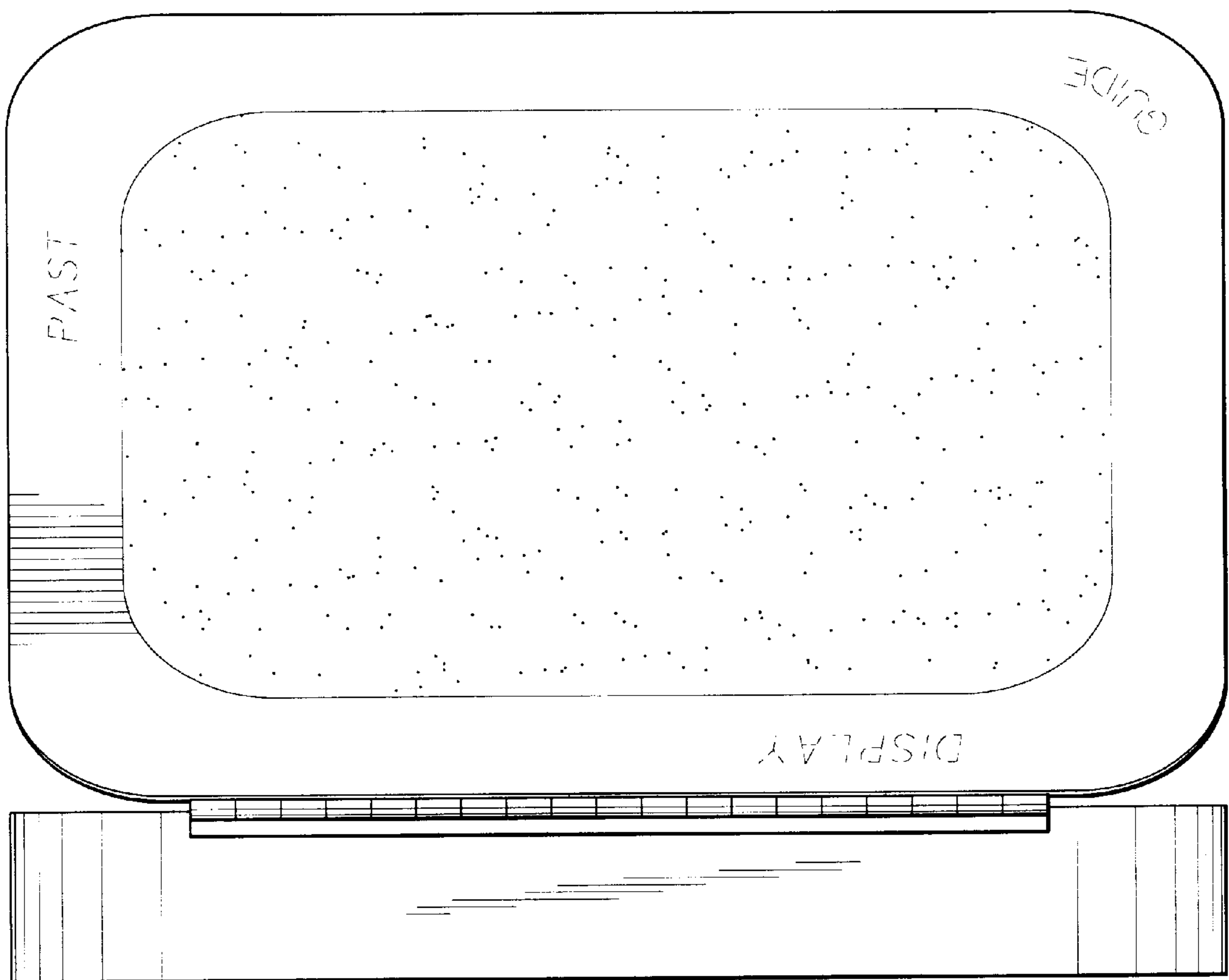


Fig. 16

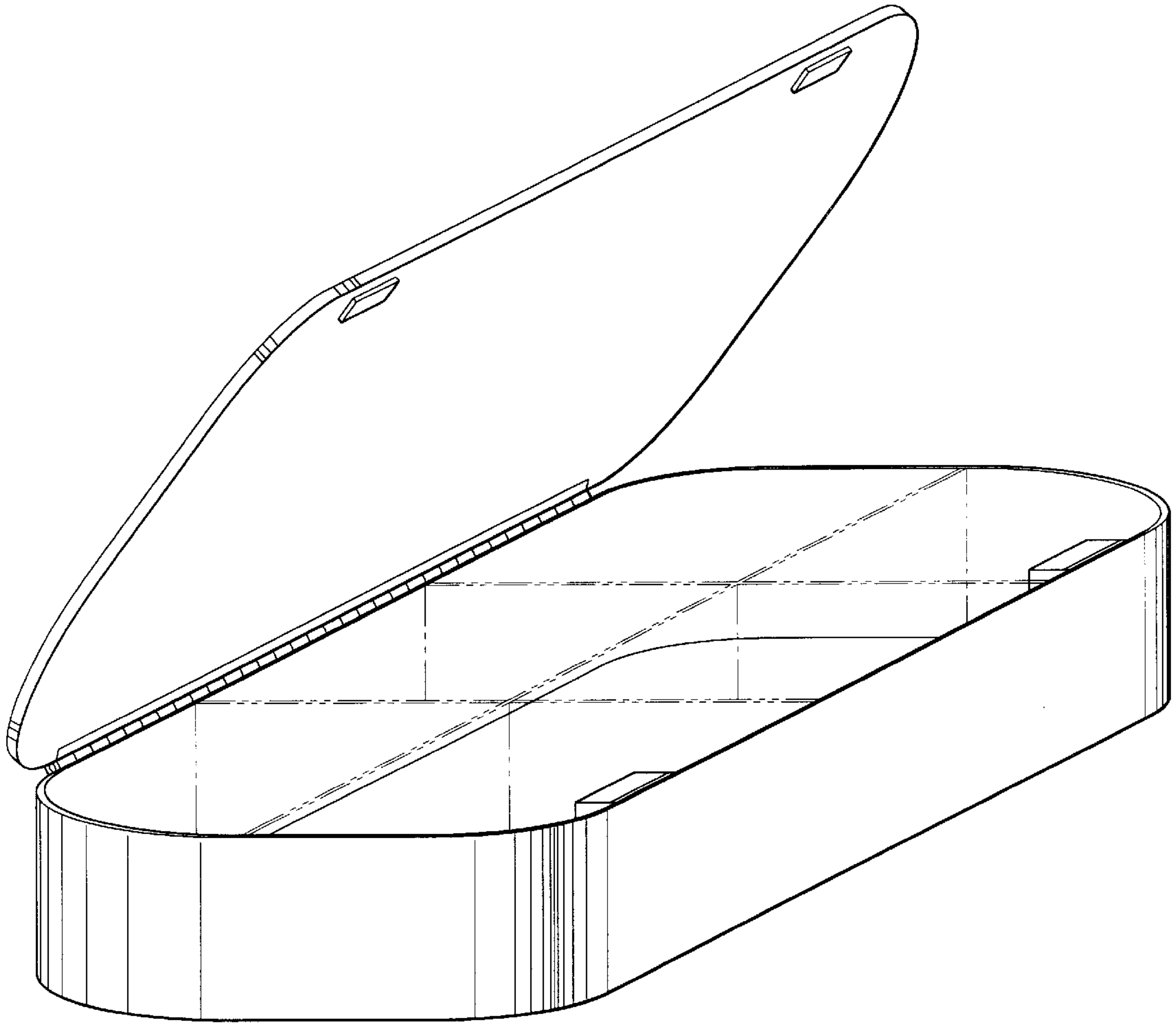


Fig. 17

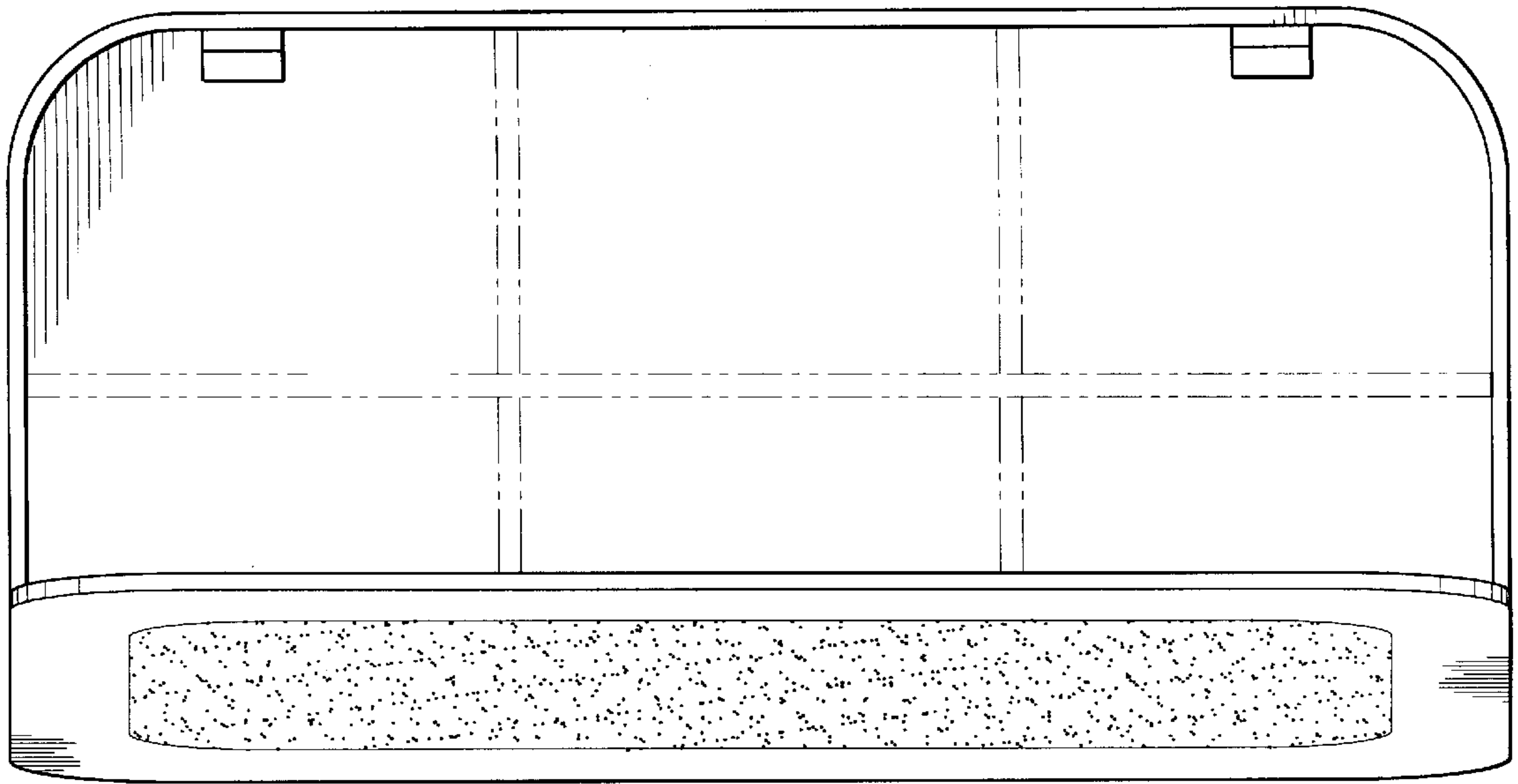


Fig. 18

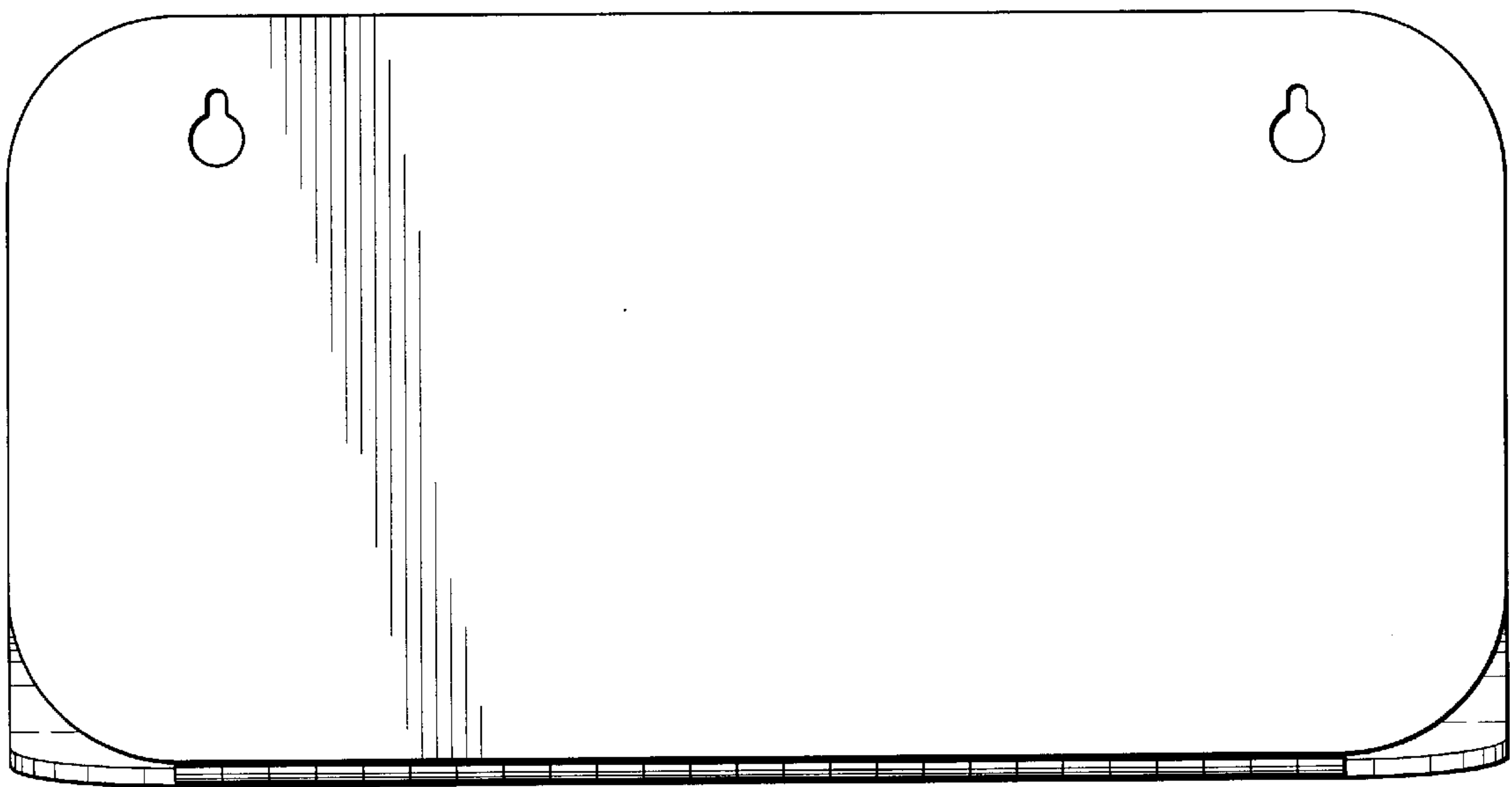


Fig. 19

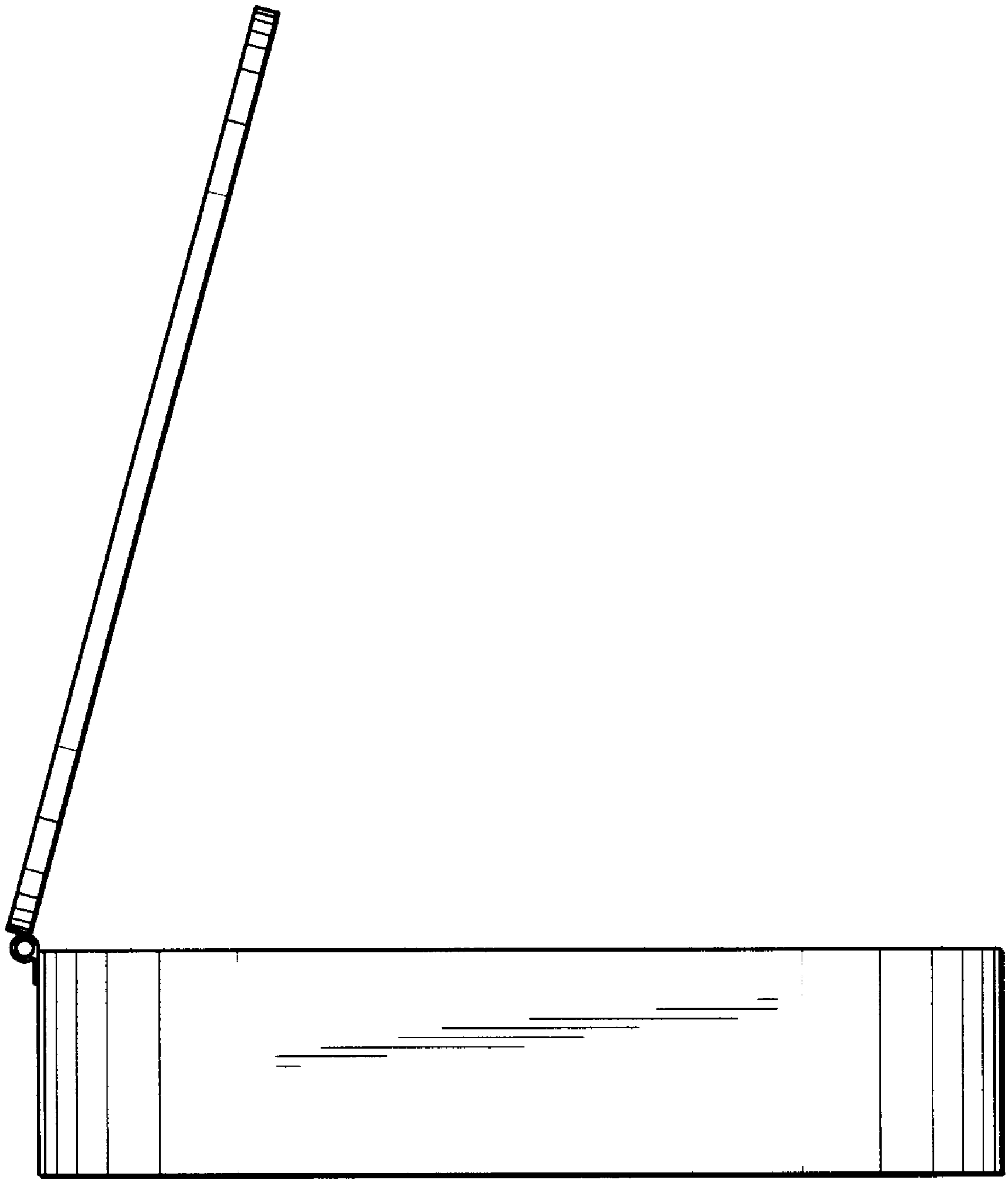


Fig. 20

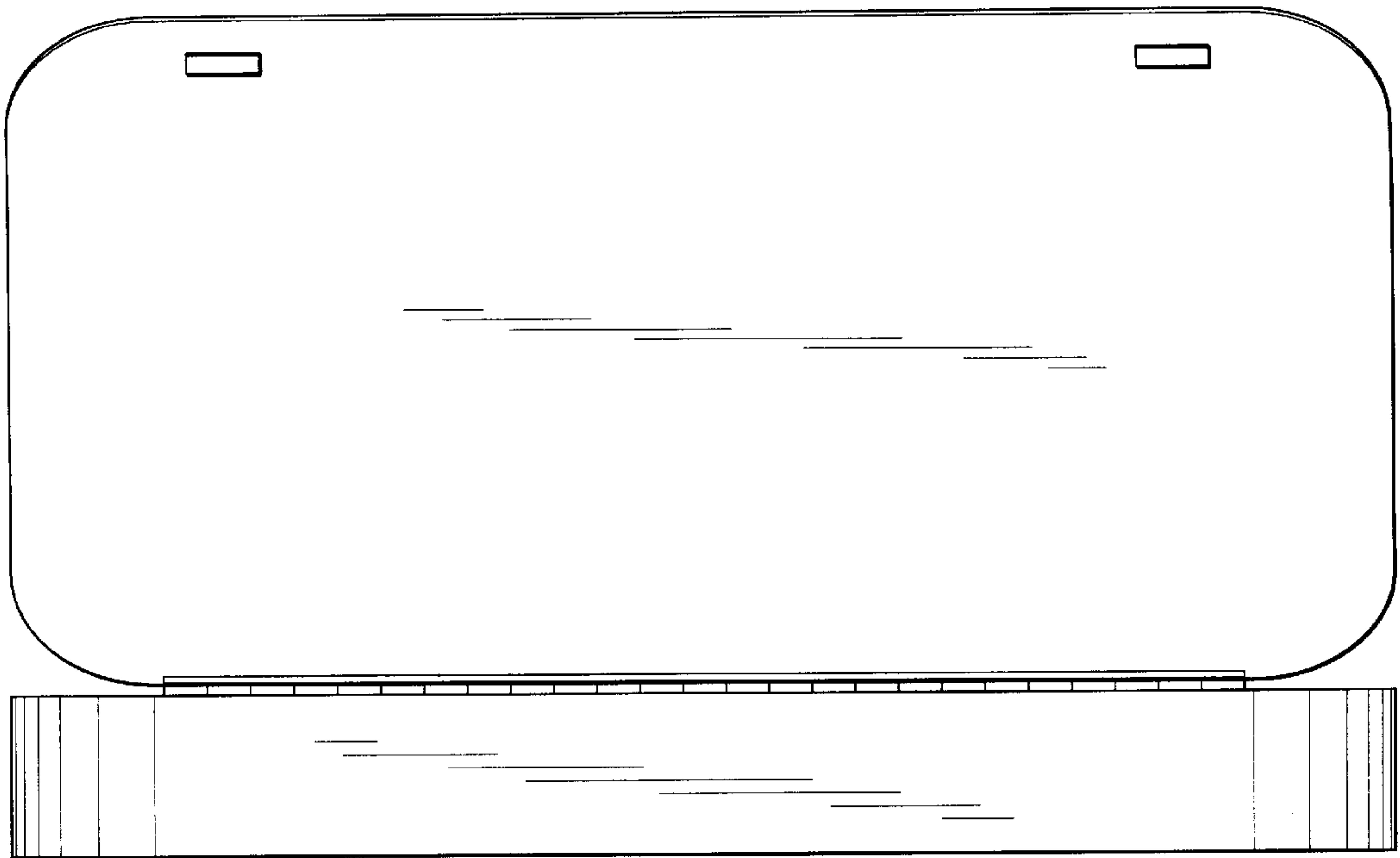


Fig. 21

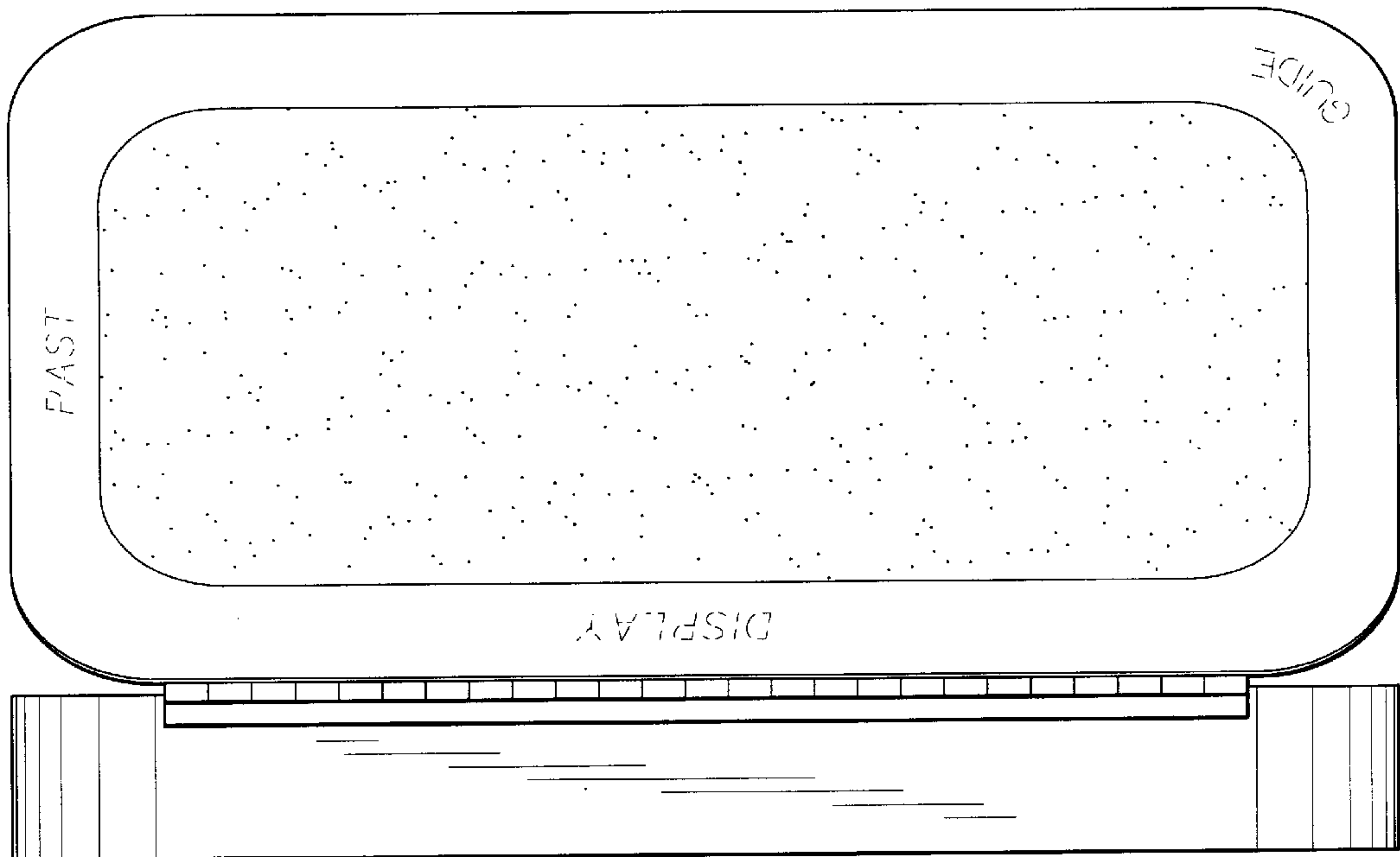


Fig. 22