



US00D426261S

United States Patent [19]

Gardiner et al.

[11] Patent Number: **Des. 426,261**

[45] Date of Patent: **** Jun. 6, 2000**

[54] **PRINT SERVER**

[75] Inventors: **Samuel William Gardiner; John Wayne Gassett, both of Lexington; Stephen Ray Wilson, Mt. Sterling, all of Ky.**

[73] Assignee: **Lexmark International, Inc., Lexington, Ky.**

[**] Term: **14 Years**

[21] Appl. No.: **29/080,800**

[22] Filed: **Dec. 16, 1997**

[51] **LOC (7) Cl. 18-02**

[52] **U.S. Cl. D18/56**

[58] **Field of Search D18/56; D14/100, D14/102, 111; 400/641, 202, 76, 472, 279, 479**

[56] **References Cited**

U.S. PATENT DOCUMENTS

D. 216,198	12/1969	Storch	D18/56
D. 267,092	11/1982	Chadima, Jr.	D14/100
D. 280,406	9/1985	Walker	D14/100
D. 290,969	7/1987	Sutou et al.	D18/56
D. 319,460	8/1991	Rodi et al.	D18/56
D. 322,806	12/1991	Takeda et al.	D18/56
D. 332,465	1/1993	Johnson et al.	D18/56
D. 335,302	5/1993	Quedenfeld	D18/56
D. 370,690	6/1996	Pangburn et al.	D18/56
D. 381,679	7/1997	Dubson	D18/56
D. 382,589	8/1997	Girard et al.	D18/56

4,564,302	1/1986	Hatazawa	400/76
4,836,699	6/1989	Babsch et al.	400/479
4,846,597	7/1989	Bryant et al.	400/472
5,383,735	1/1995	Smiley	400/479
5,876,131	3/1999	Parker et al.	400/279

Primary Examiner—Cathy Anne MacCormac
Attorney, Agent, or Firm—John A. Brady

[57] **CLAIM**

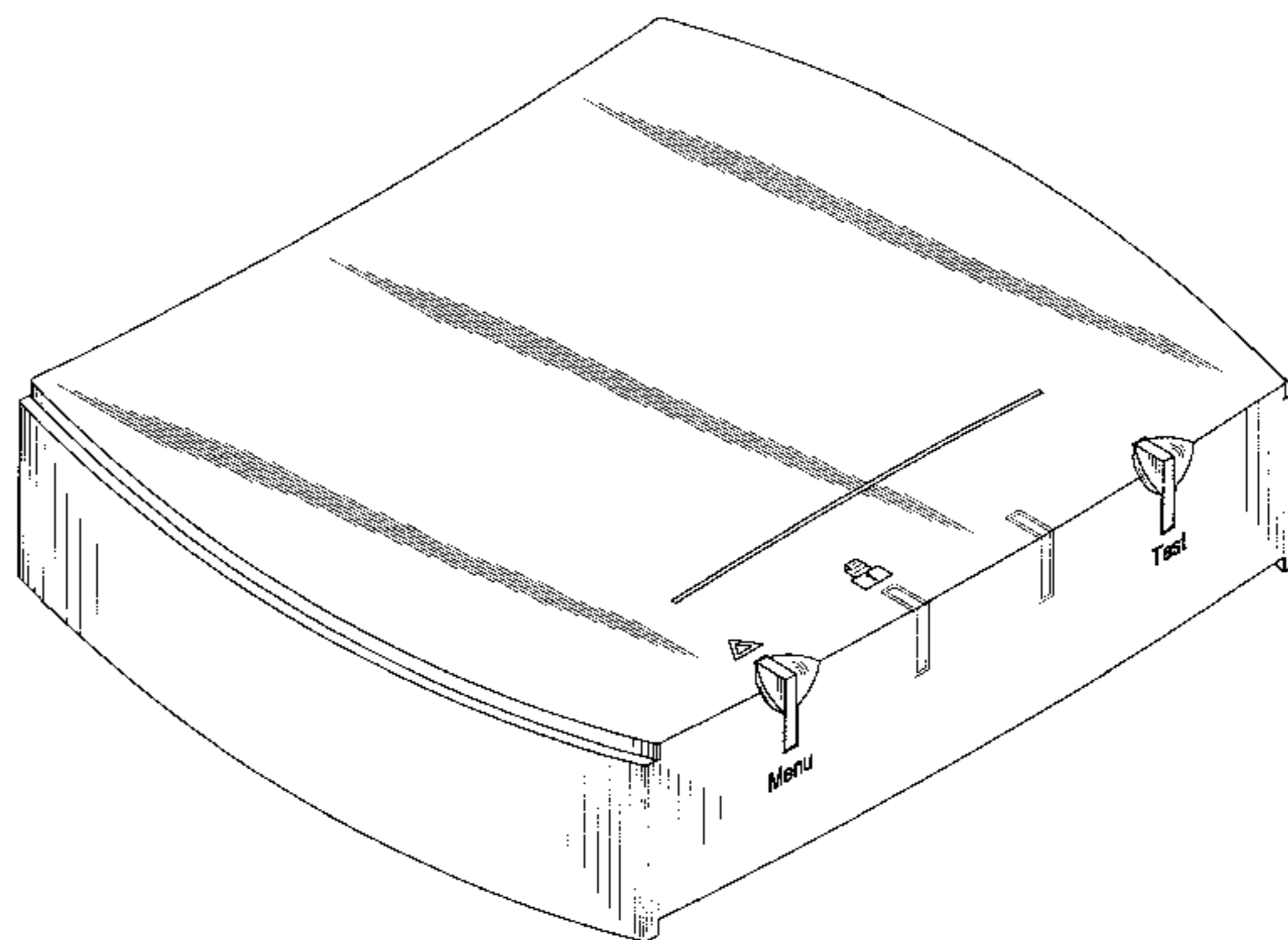
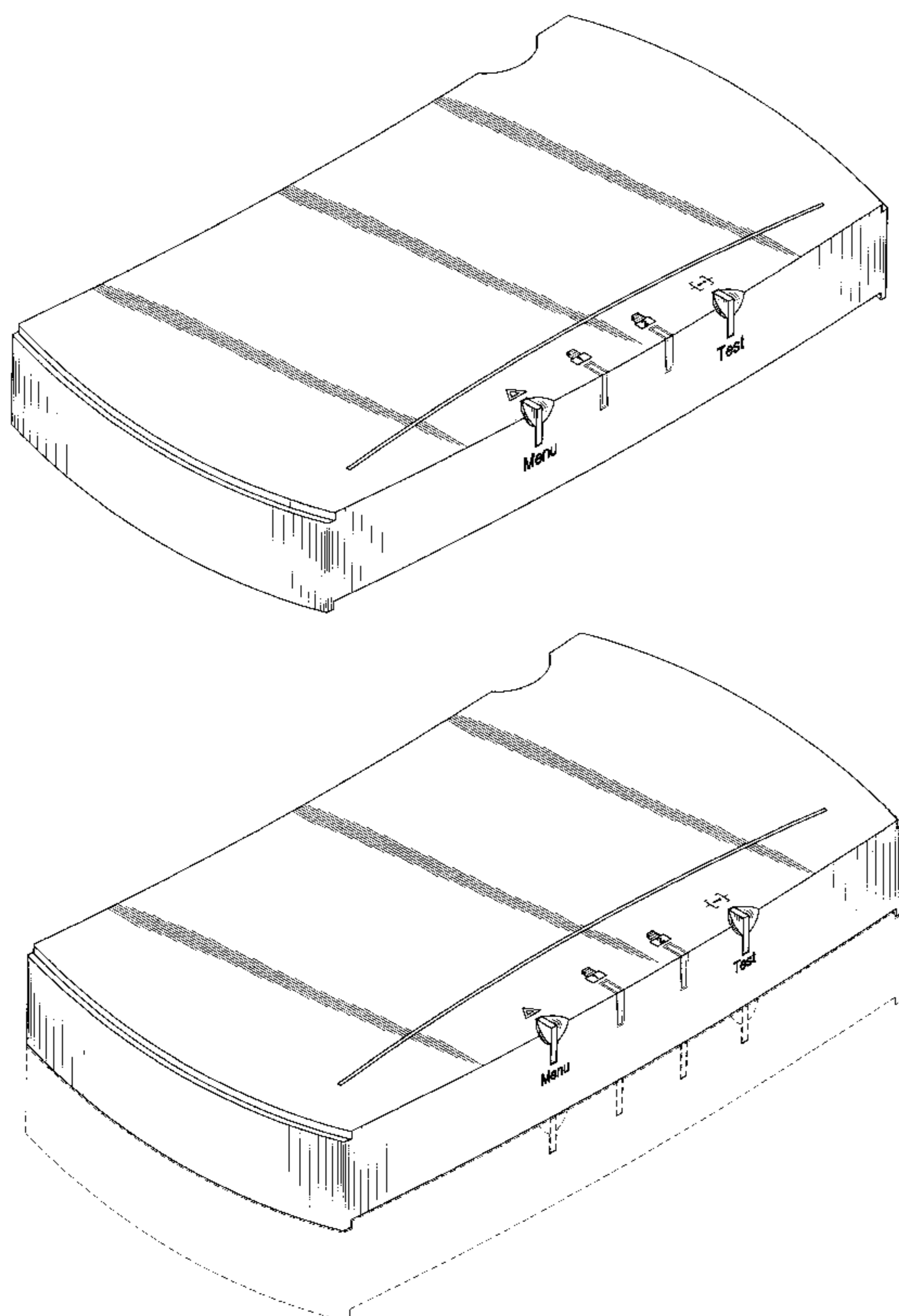
The ornamental design for a print server, as shown and described.

DESCRIPTION

FIG. 1 is a top, front, left side perspective view of the first embodiment of a print server showing our new design; FIG. 2 is a front elevational view thereof; FIG. 3 is a rear elevational view thereof; FIG. 4 is a left side elevational view thereof; FIG. 5 is a top plan view thereof; FIG. 6 is a right side elevational view thereof; FIG. 7 is a bottom view thereof; FIG. 8 is another perspective view thereof in normal use; FIG. 9 is a top, front, left side perspective view of a second embodiment of FIG. 2; FIG. 10 is a front elevational view of FIG. 9; FIG. 11 is a rear elevational view of FIG. 9; FIG. 12 is a left side elevational view of FIG. 9; FIG. 13 is a top plan view of FIG. 9; FIG. 14 is a right side elevational view of FIG. 9; and, FIG. 15 is a bottom view thereof.

The broken lines in FIG. 8 are for purposes of illustration only and form no part of the claimed design.

1 Claim, 11 Drawing Sheets



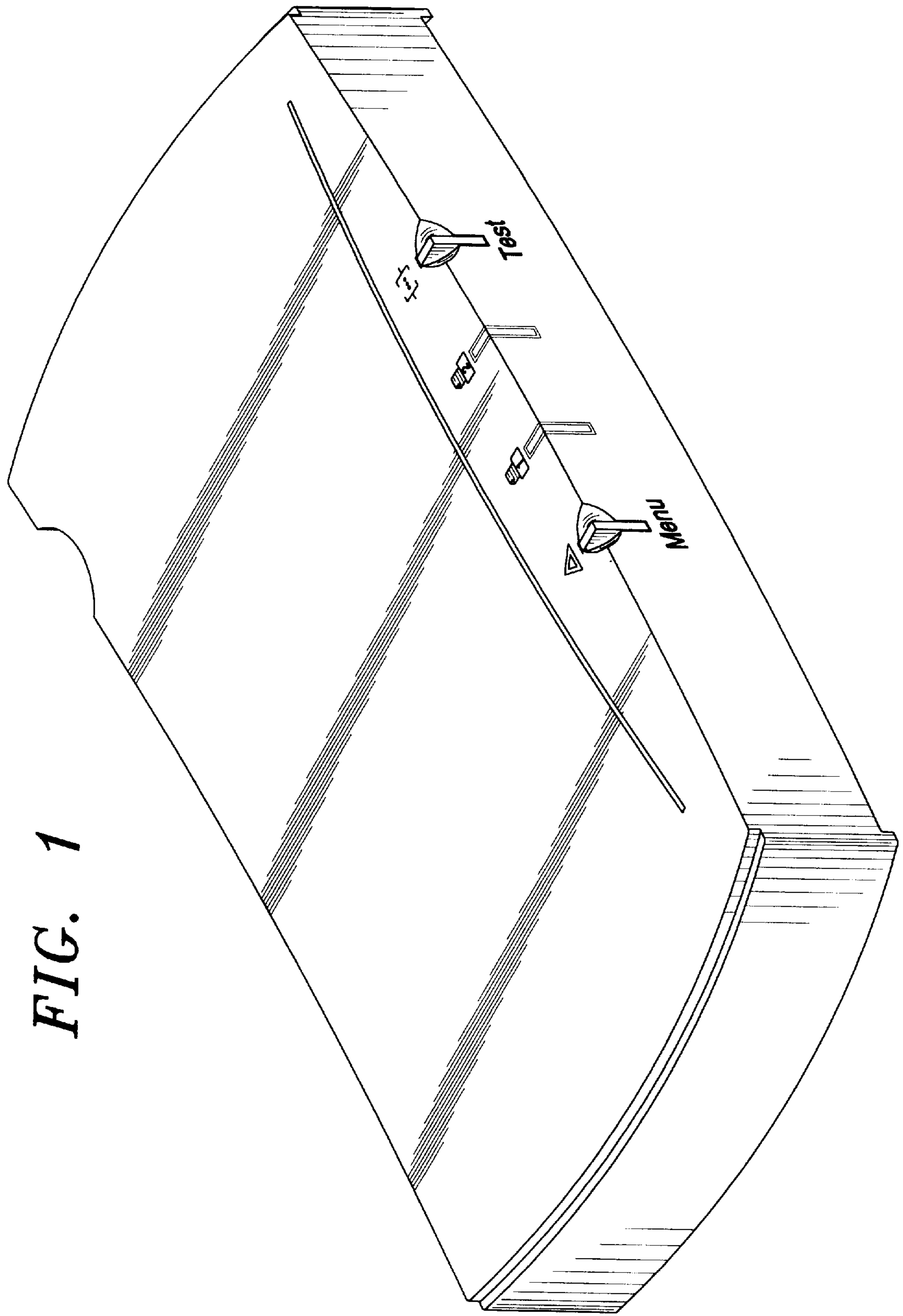


FIG. 1

FIG. 2

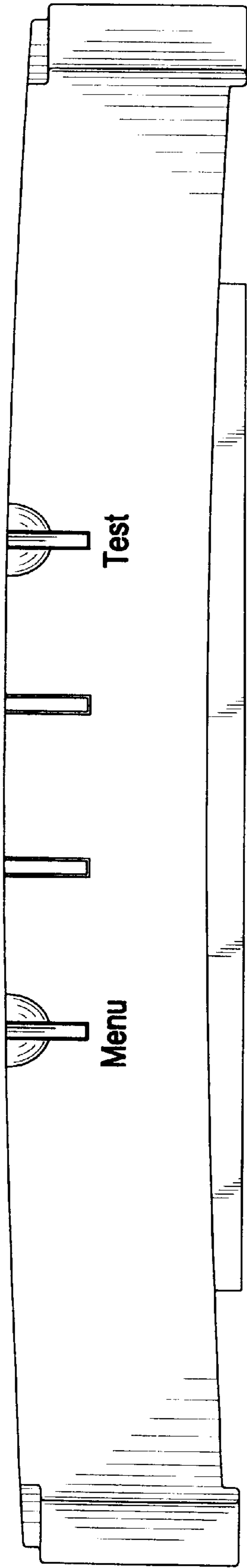


FIG. 3

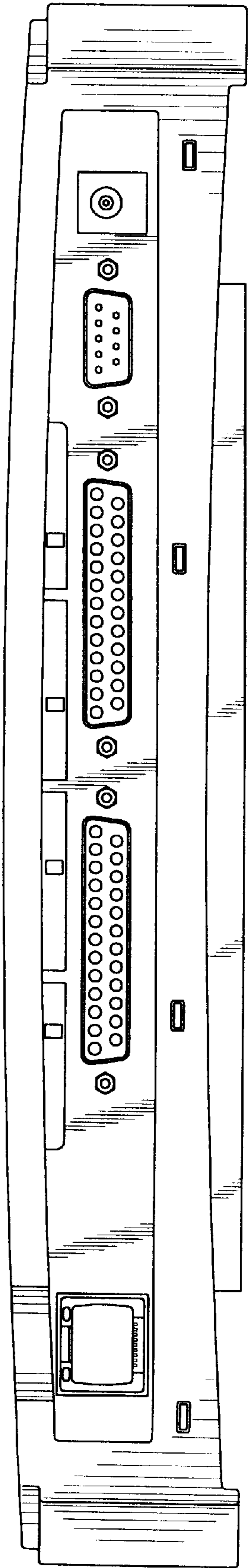


FIG. 4

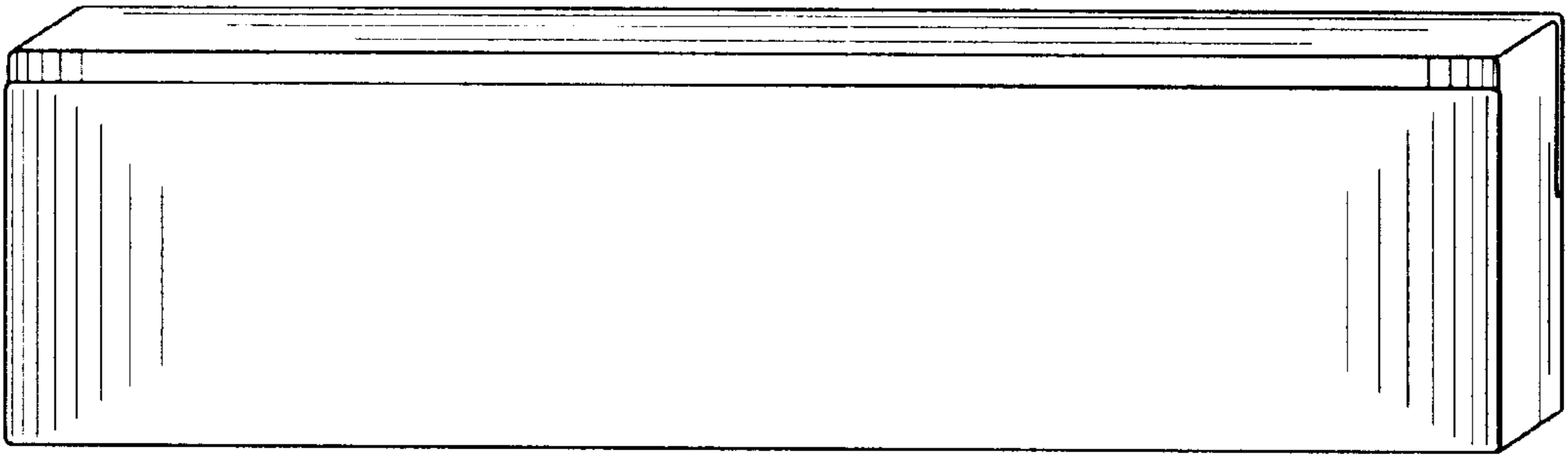


FIG. 6

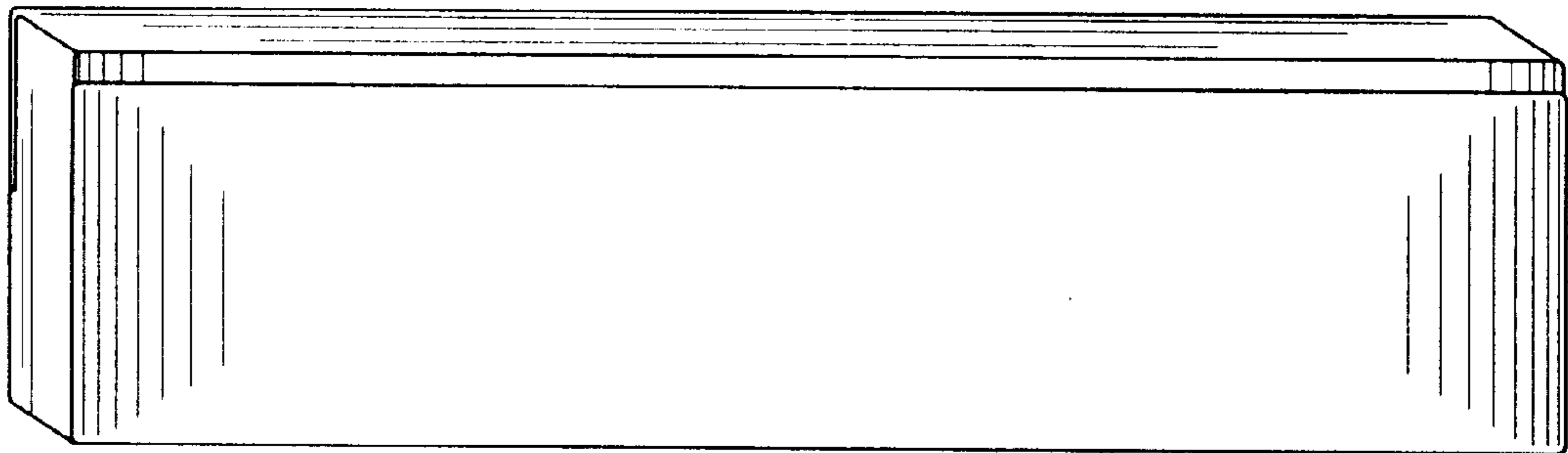


FIG. 5

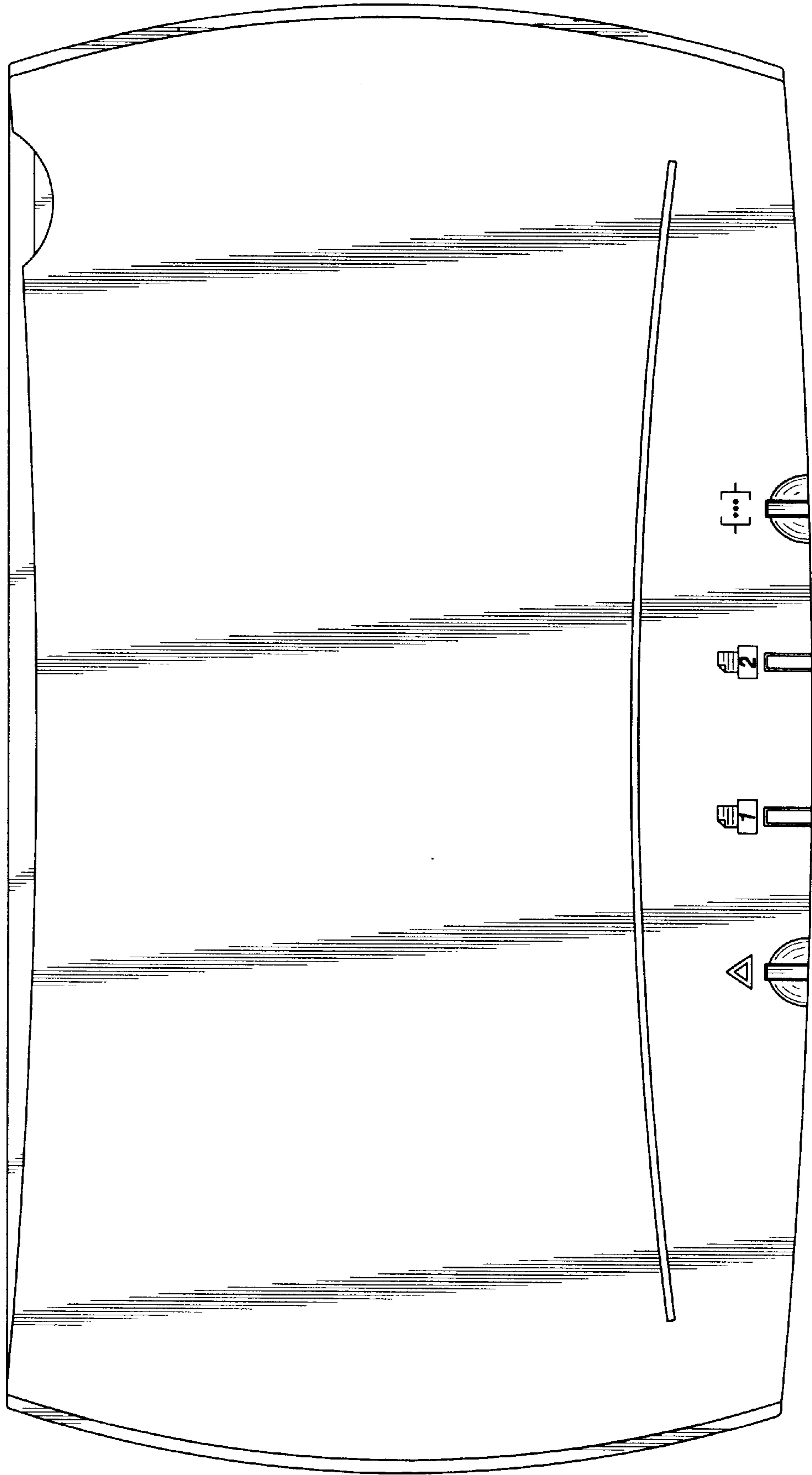
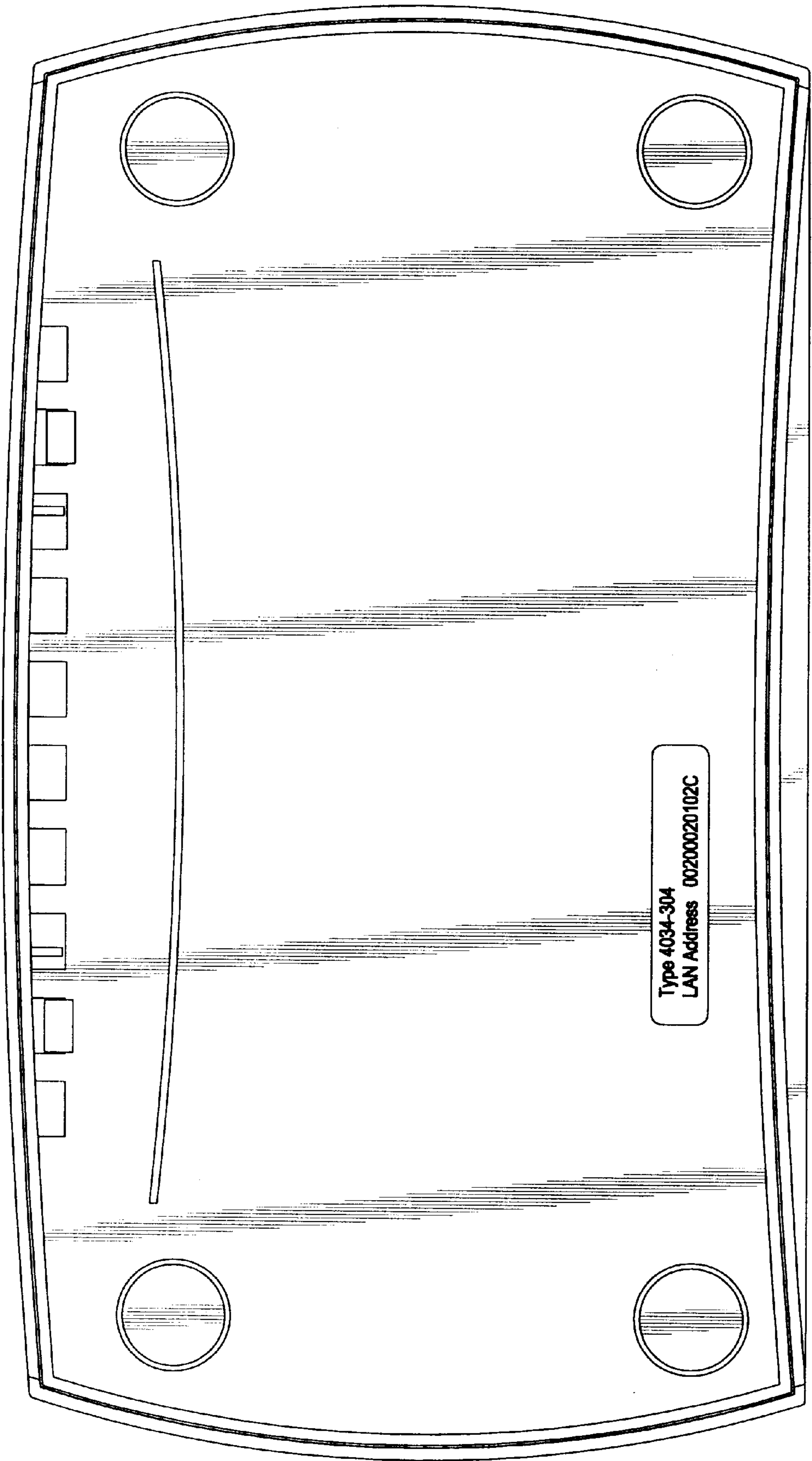


FIG. 7



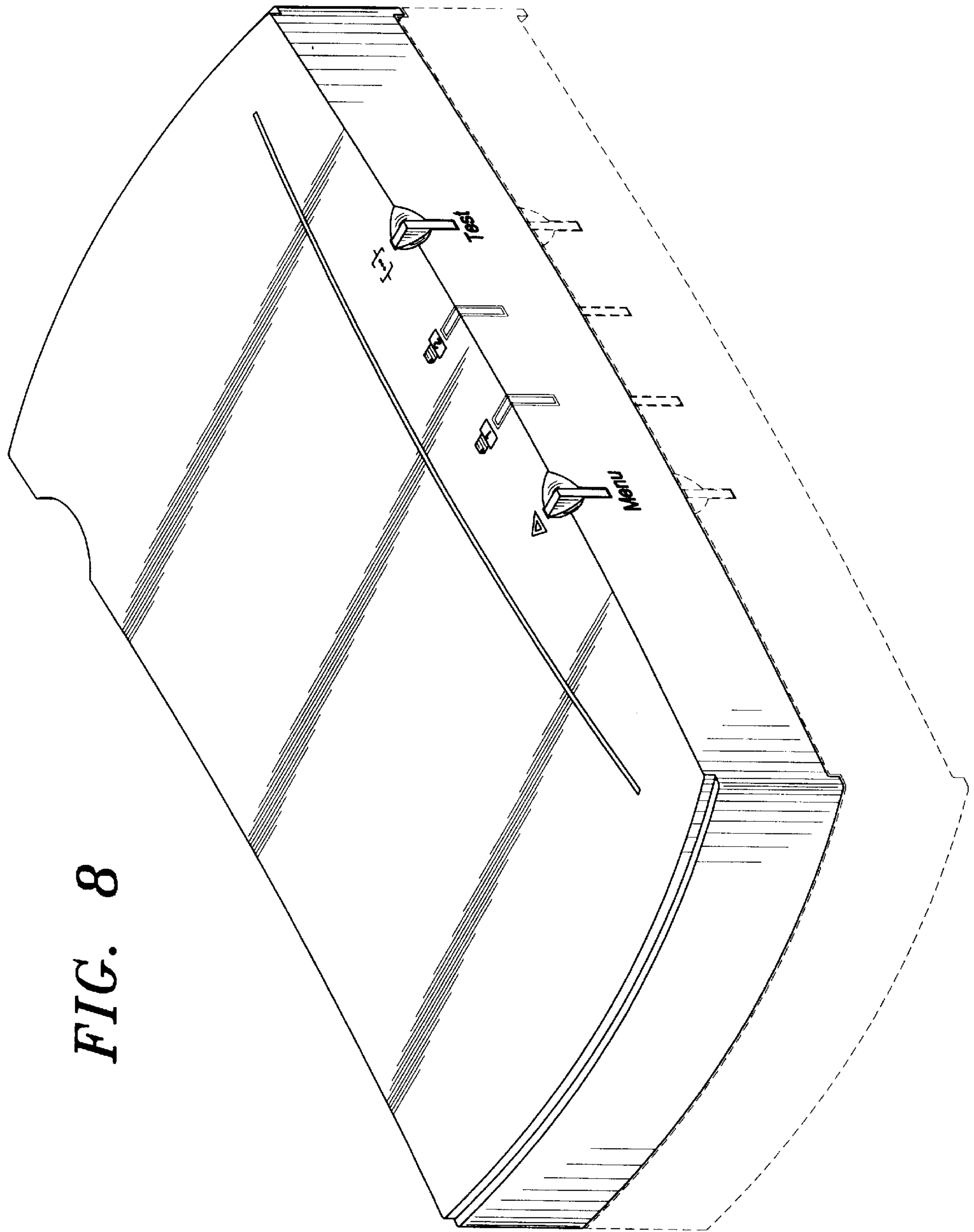


FIG. 8

FIG. 9

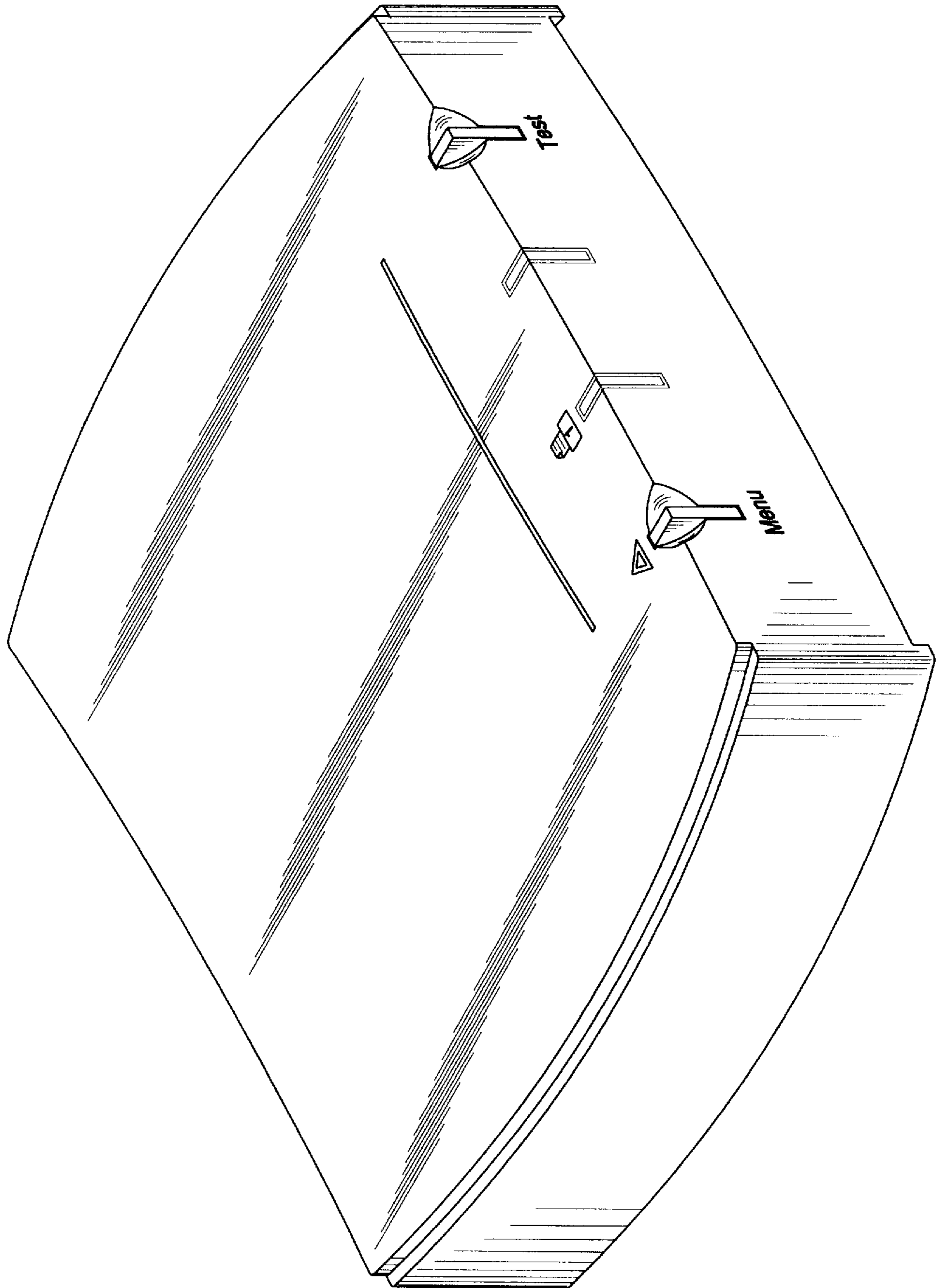


FIG. 10

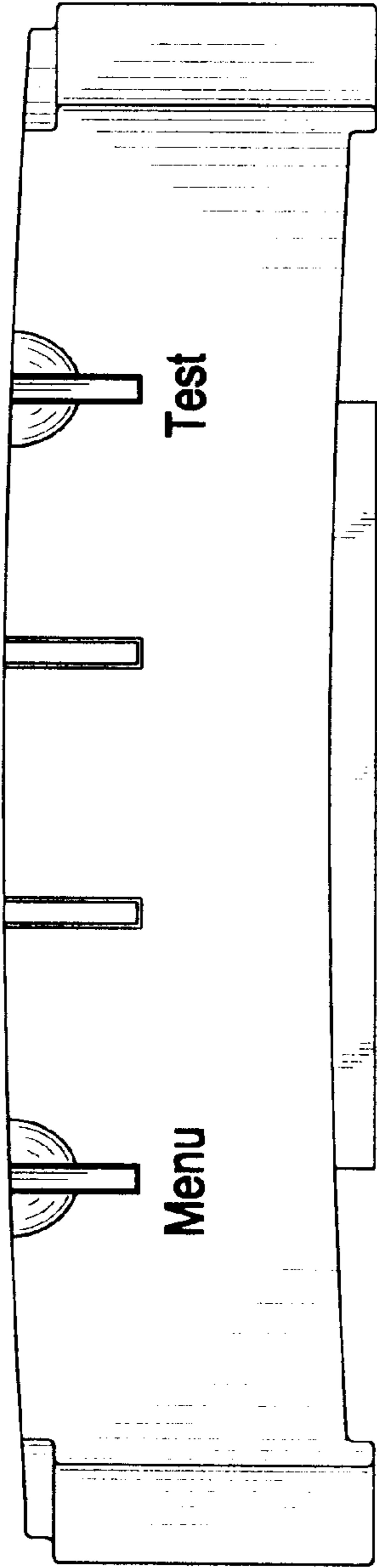


FIG. 11

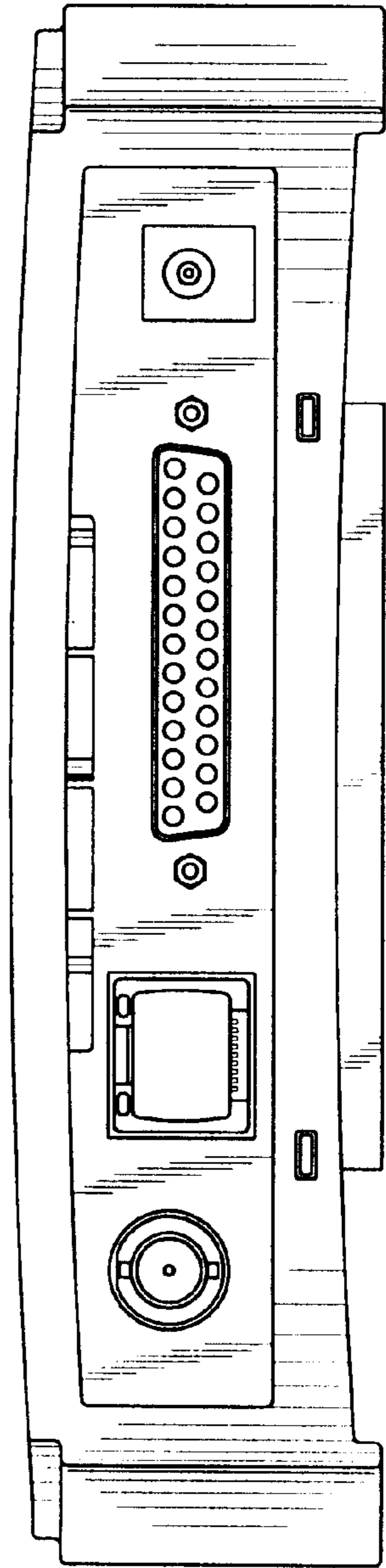


FIG. 12

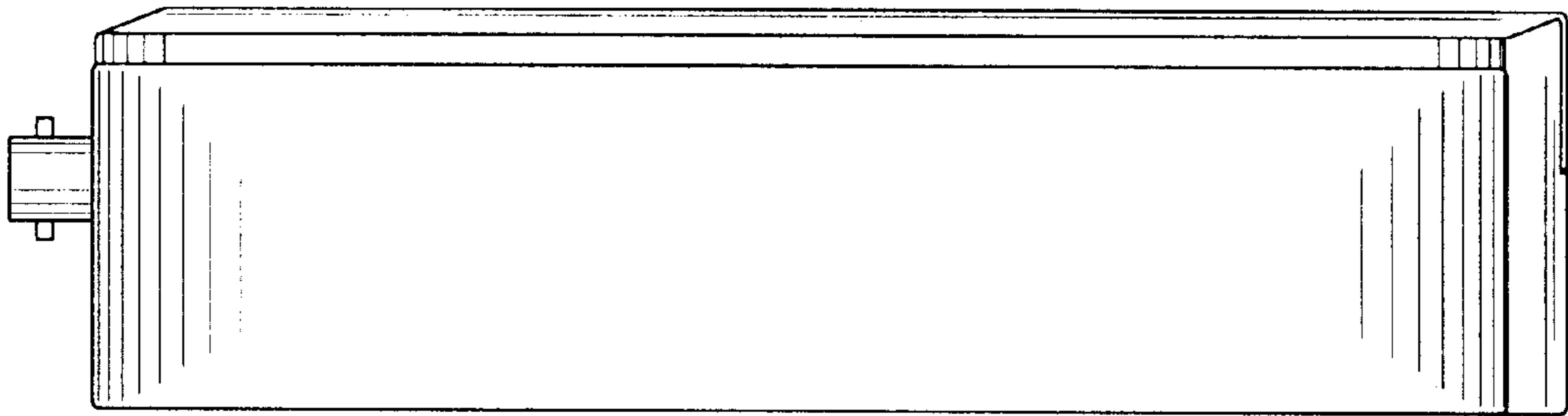


FIG. 14

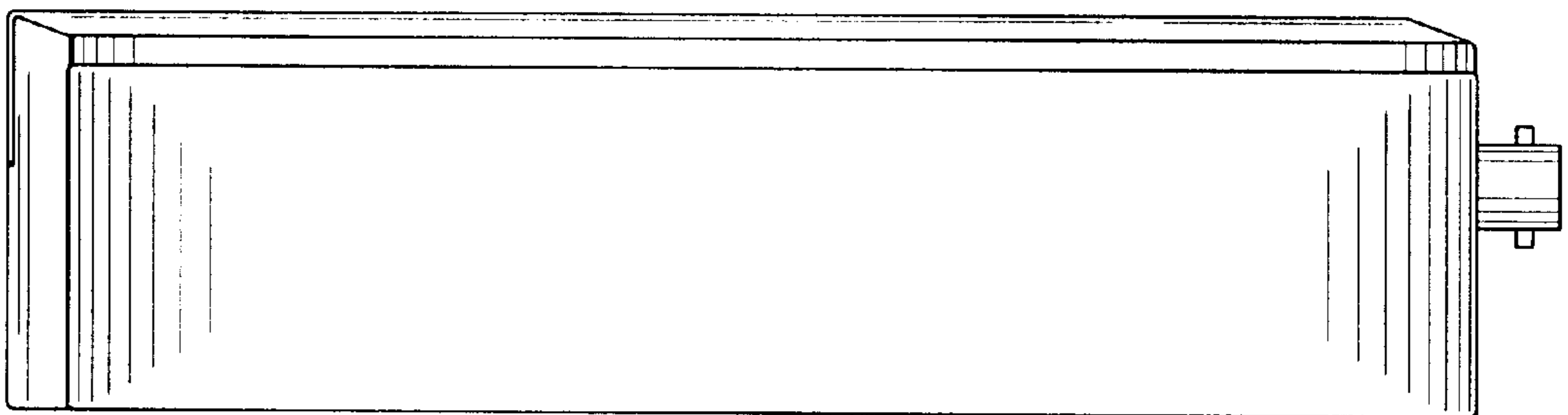


FIG. 13

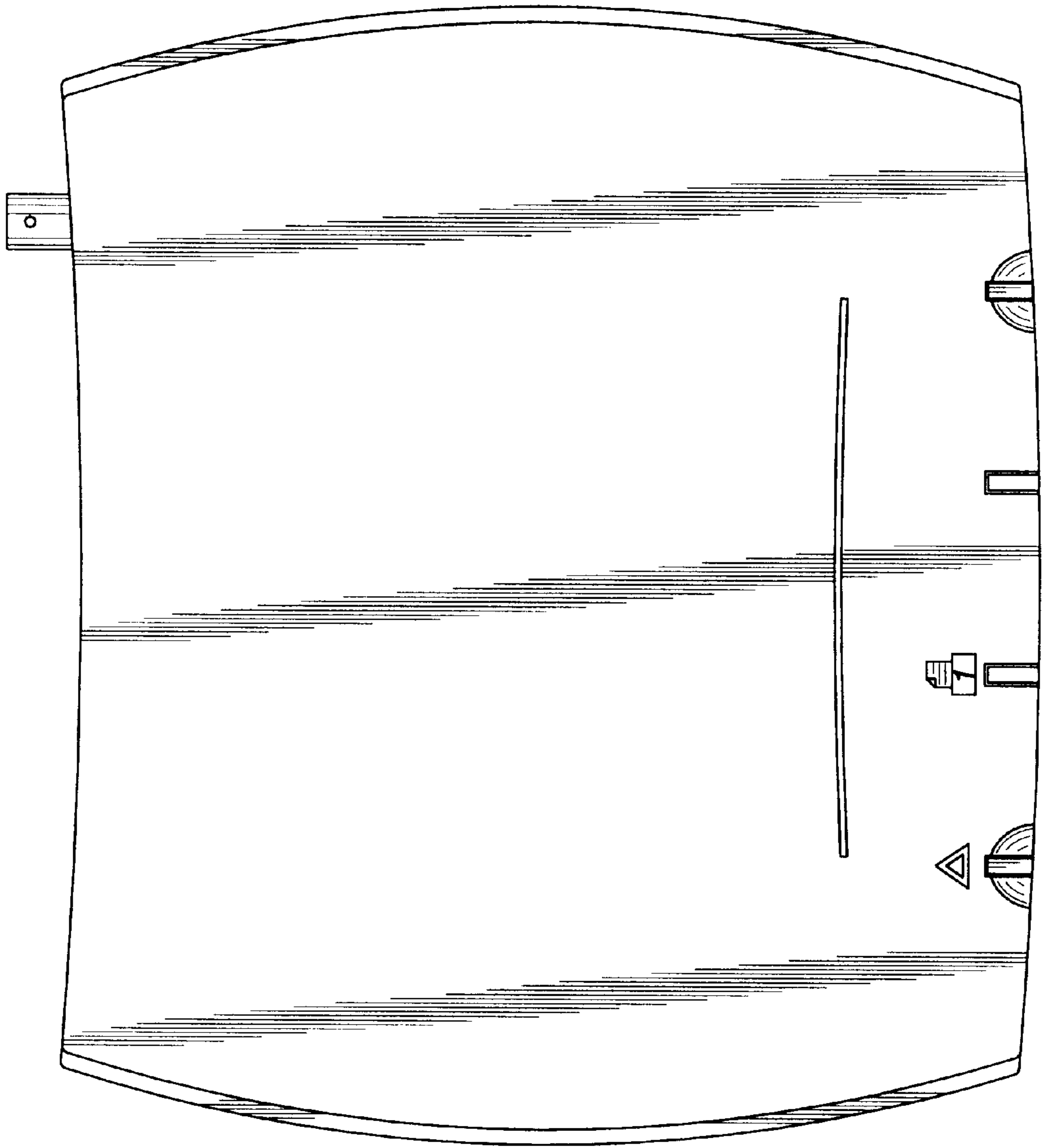


FIG. 15

