



US00D426249S

United States Patent [19] Tsujimoto

[11] **Patent Number: Des. 426,249**
[45] **Date of Patent: ** Jun. 6, 2000**

[54] **VIDEO CAMERA FOR AN ELECTRONIC COMPUTER**

5,734,414 3/1998 Nishimura et al. 348/14

[75] Inventor: **Taiji Tsujimoto**, Osaka-fu, Japan
[73] Assignee: **Sharp Kabushiki Kaisha**, Osaka, Japan
[**] Term: **14 Years**

OTHER PUBLICATIONS

Vivitar Digital Imaging, Mar. 1998 (Vivicom Video Camera).

Primary Examiner—Adir Aronovich
Attorney, Agent, or Firm—Nixon & Vanderhye

[21] Appl. No.: **29/111,626**
[22] Filed: **Oct. 1, 1999**

[57] CLAIM

The ornamental design for a video camera for an electronic computer, as shown and described.

[51] **LOC (7) Cl.** **16-01**
[52] **U.S. Cl.** **D16/202**
[58] **Field of Search** D16/200–206,
D16/208, 218; 348/14–20, 373–376; 358/906,
909.1; 396/535–541

DESCRIPTION

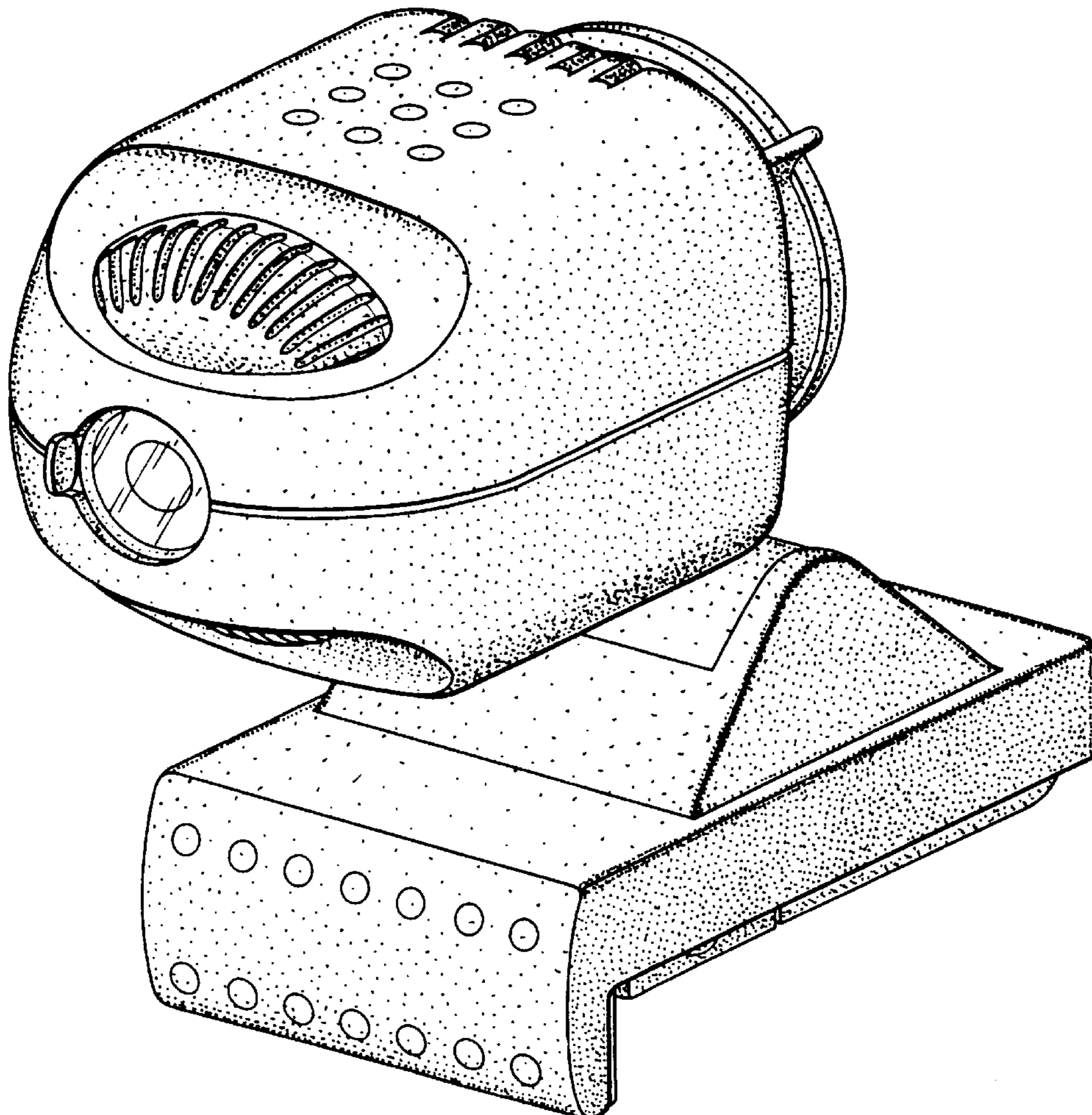
FIG. 1 is a top, front and right side perspective view of a video camera for an electronic computer according to my design;
FIG. 2 is a top plan view thereof;
FIG. 3 is a front elevational view thereof;
FIG. 4 is a rear elevational view thereof;
FIG. 5 is a bottom plan view thereof;
FIG. 6 is a right side elevational view thereof; and,
FIG. 7 is a left side elevational view thereof.

[56] References Cited

U.S. PATENT DOCUMENTS

D. 386,505	11/1997	Maeyama	D16/202
D. 387,788	12/1997	Jeong et al.	D16/202
D. 387,789	12/1997	Sumida et al.	D16/202
D. 396,869	8/1998	Yamakawa et al.	D16/202
D. 400,549	11/1998	Wakefield	D16/202

1 Claim, 7 Drawing Sheets



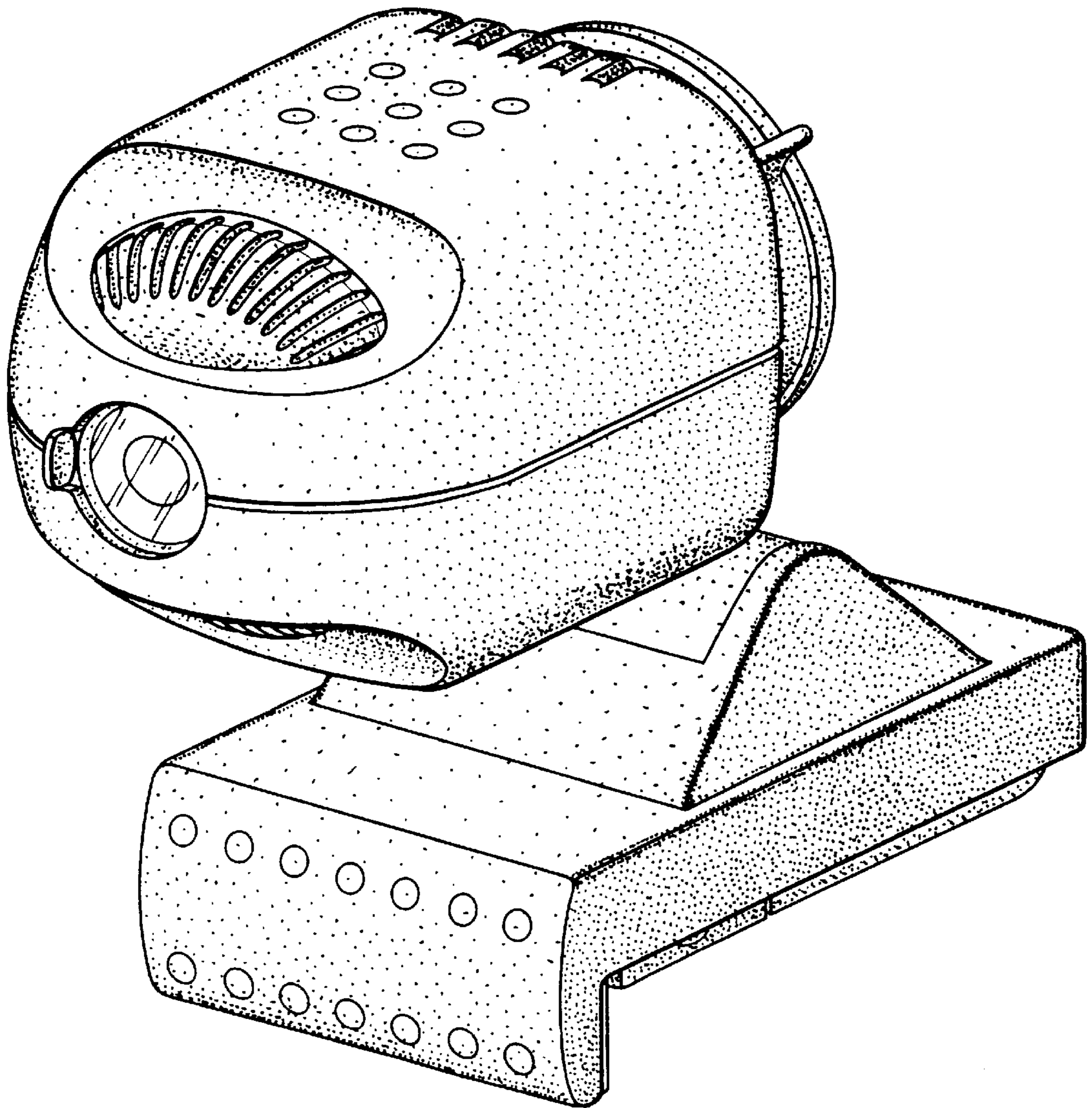


Fig. 1

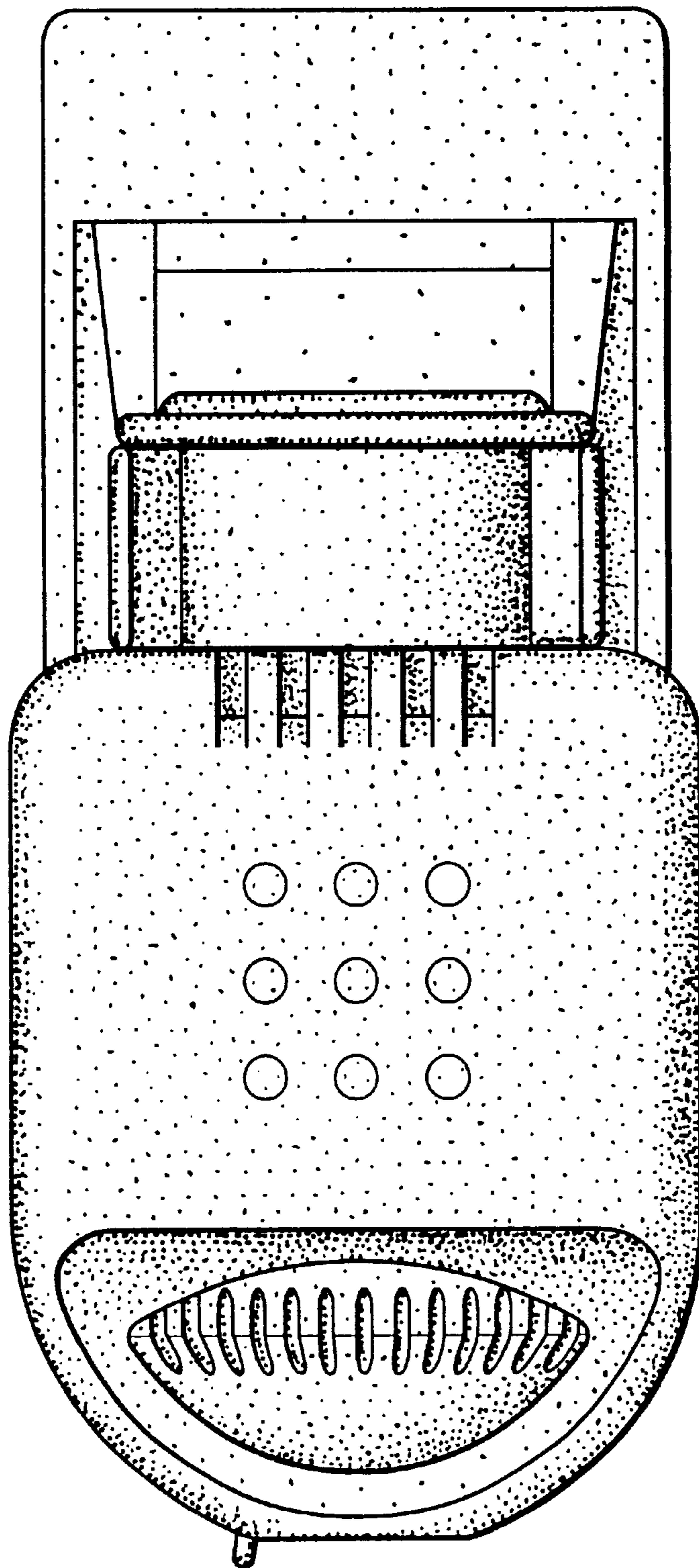


Fig. 2

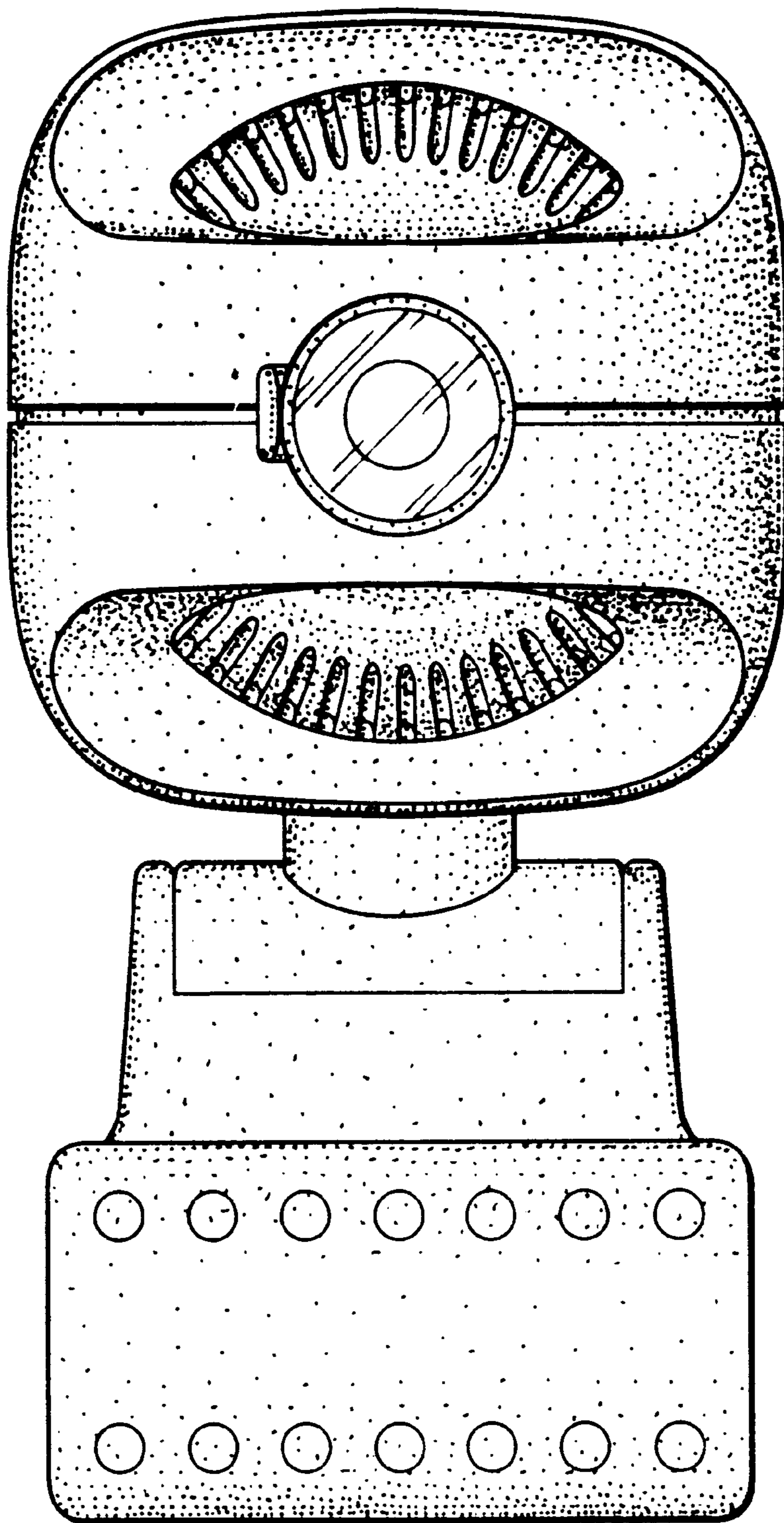


Fig. 3

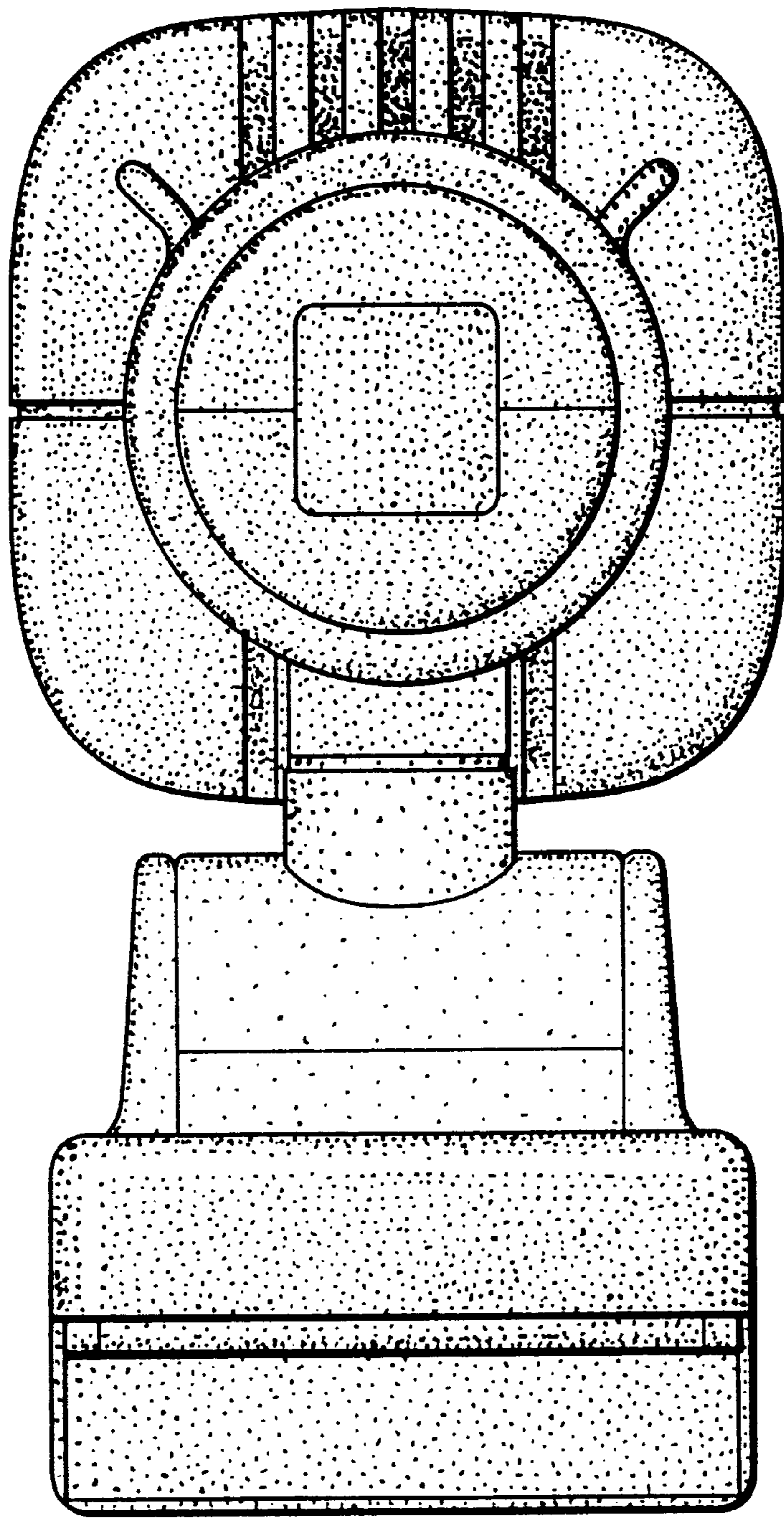


Fig. 4

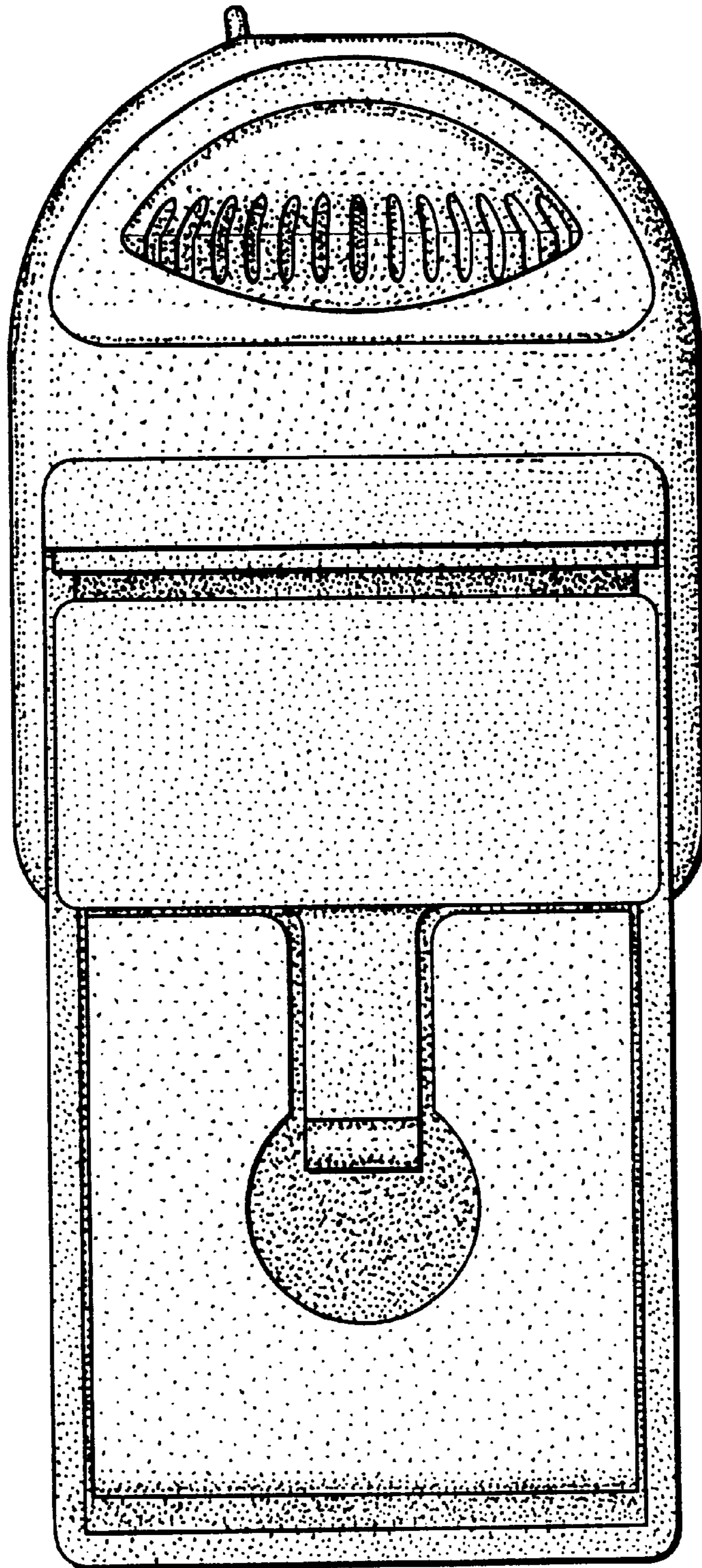


Fig. 5

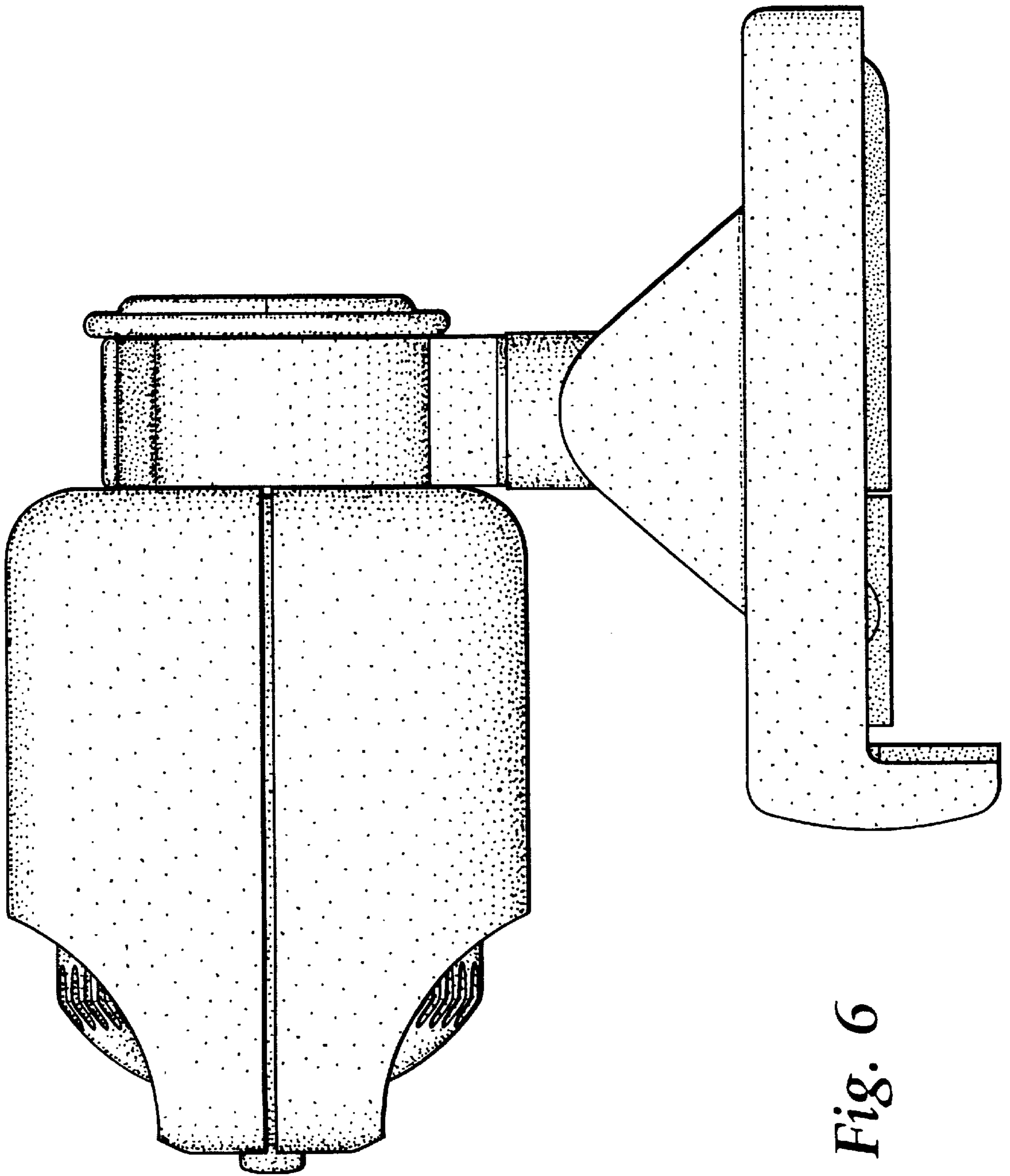


Fig. 6

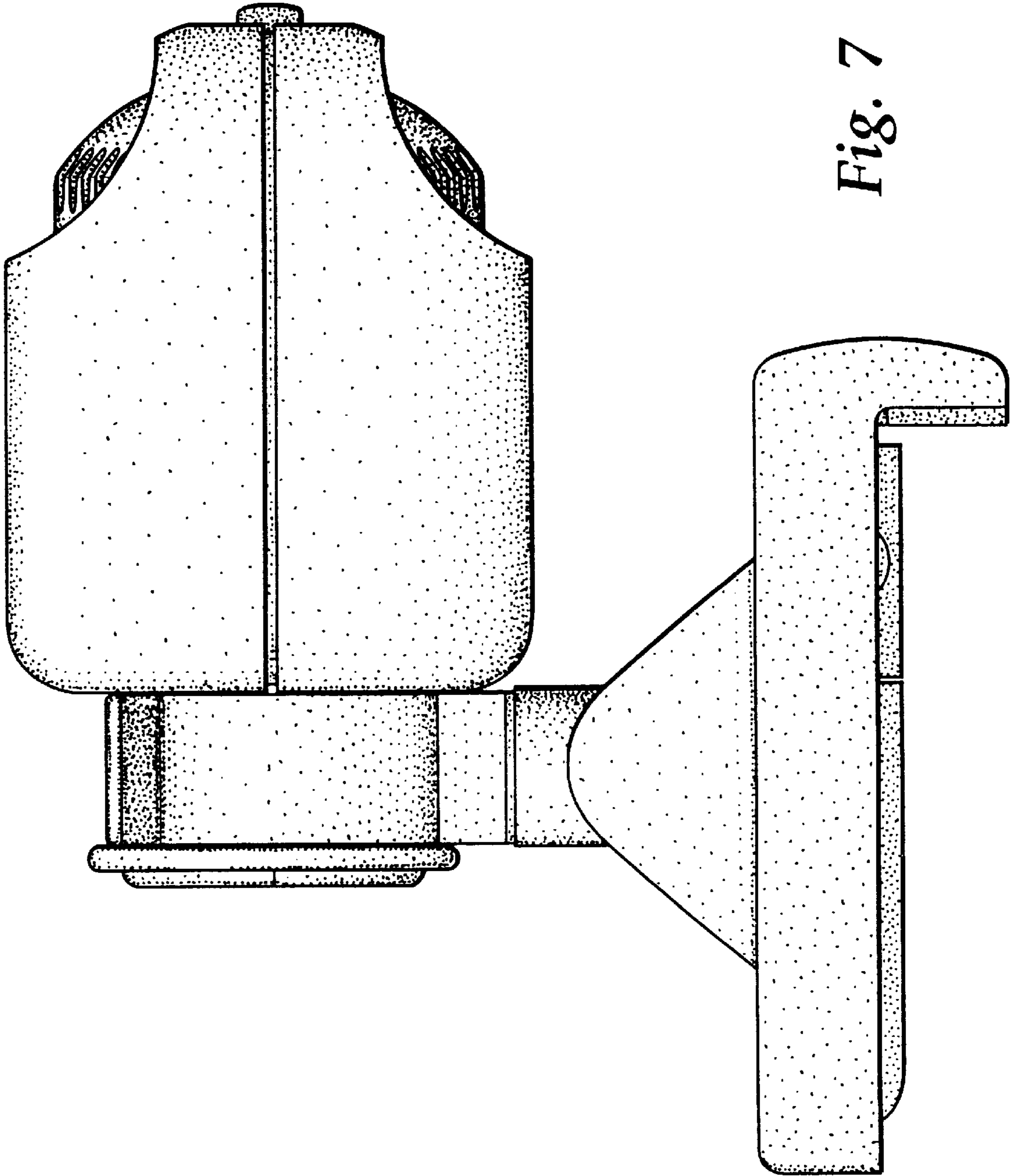


Fig. 7