



US00D426248S

# United States Patent [19] Sumita

[11] **Patent Number: Des. 426,248**  
[45] **Date of Patent: \*\* Jun. 6, 2000**

[54] **ELECTRONIC STILL CAMERA**  
[75] Inventor: **Kaoru Sumita**, Tokyo, Japan  
[73] Assignee: **Sony Corporation**, Japan  
[\*\*] Term: **14 Years**

[21] Appl. No.: **29/098,223**  
[22] Filed: **Dec. 22, 1998**

[51] **LOC (7) Cl. .... 16-01**  
[52] **U.S. Cl. .... D16/202**  
[58] **Field of Search .... D16/200-206,**  
D16/208, 209, 216-218; 348/373-376;  
358/906, 909.1; 396/61, 535, 536-543

### [56] **References Cited**

#### U.S. PATENT DOCUMENTS

D. 315,357 3/1991 Fukutomi ..... D16/202  
D. 330,562 10/1992 Takada et al. .... D16/202  
D. 387,079 12/1997 Horikiri ..... D16/217  
D. 408,040 4/1999 Miyahara ..... D16/202  
4,945,372 7/1990 Higuchi et al. .... 396/61

#### OTHER PUBLICATIONS

Camera Annual 96 Catalog, Dec. 1995 p.2 (Olympus camera).  
Catalog "90", pp. 208 & 209, Sony (Nov. 1998).

*Primary Examiner*—Adir Aronovich  
*Attorney, Agent, or Firm*—Rader, Fishman & Grauer

### [57] **CLAIM**

The ornamental design for an electronic still camera, as shown and described.

### **DESCRIPTION**

FIG. 1 is a perspective view of an electronic still camera showing my new design;  
FIG. 2 is a top plan view thereof;  
FIG. 3 is a bottom plan view thereof;  
FIG. 4 is a front elevational view thereof;  
FIG. 5 is a rear elevational view thereof.  
FIG. 6 is a left side elevational view thereof;  
FIG. 7 is a right side elevational view thereof;  
FIG. 8 is another perspective view thereof, wherein the flash cover portion is in the open position; and,  
FIG. 9 is yet another perspective view thereof, wherein the body portion is in the tilted position.

**1 Claim, 6 Drawing Sheets**

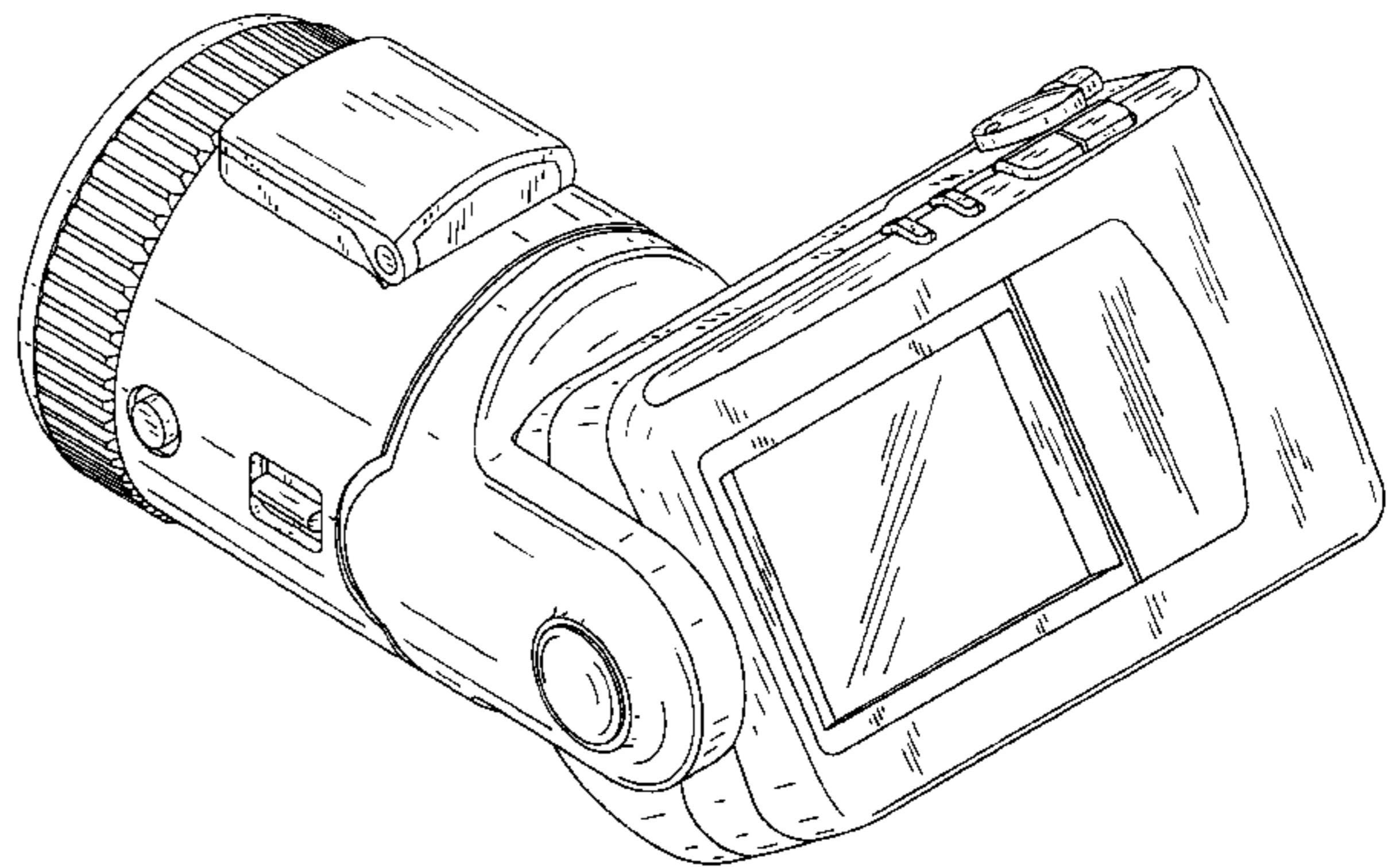
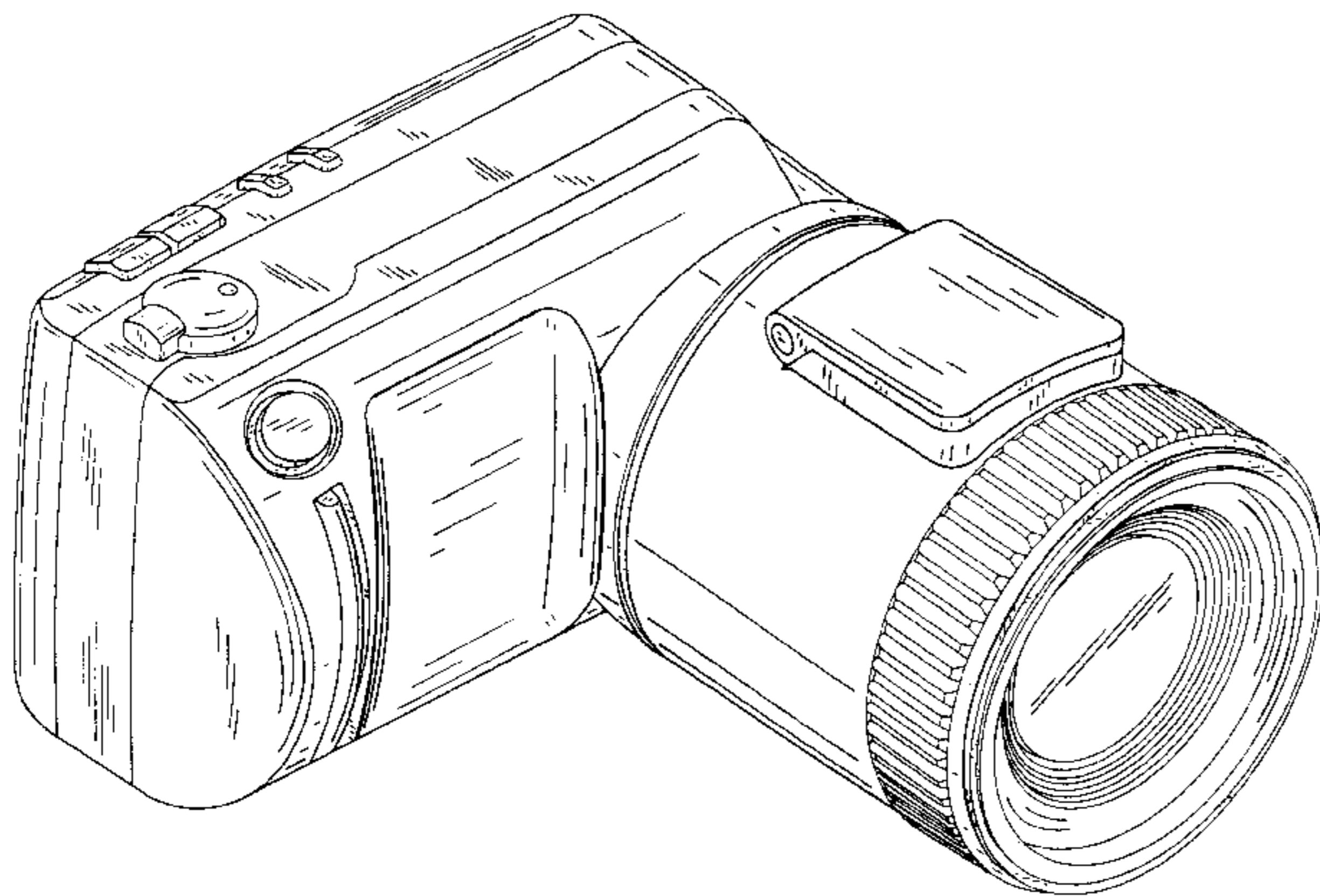


FIG. 1

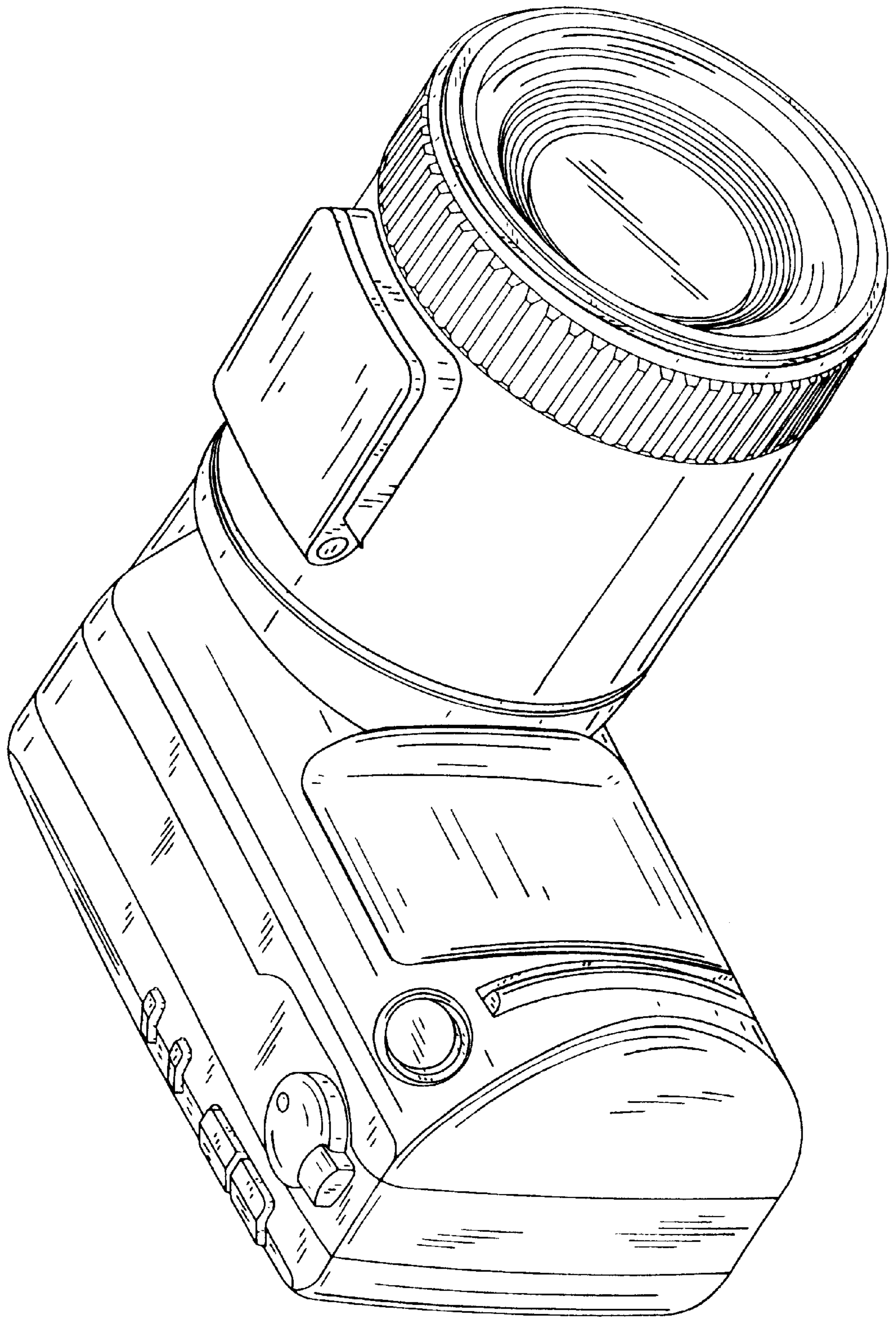


FIG. 2

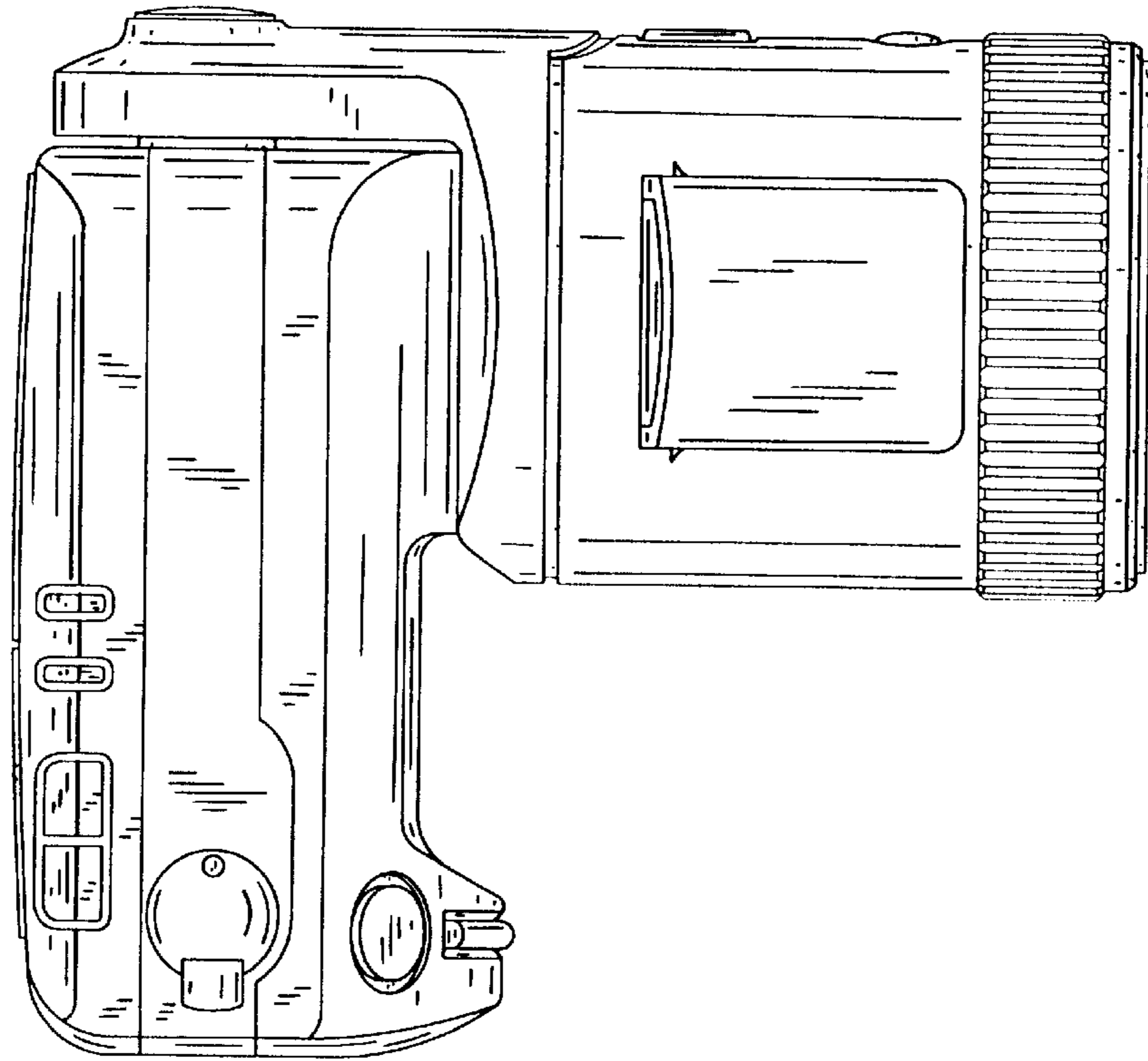


FIG. 3

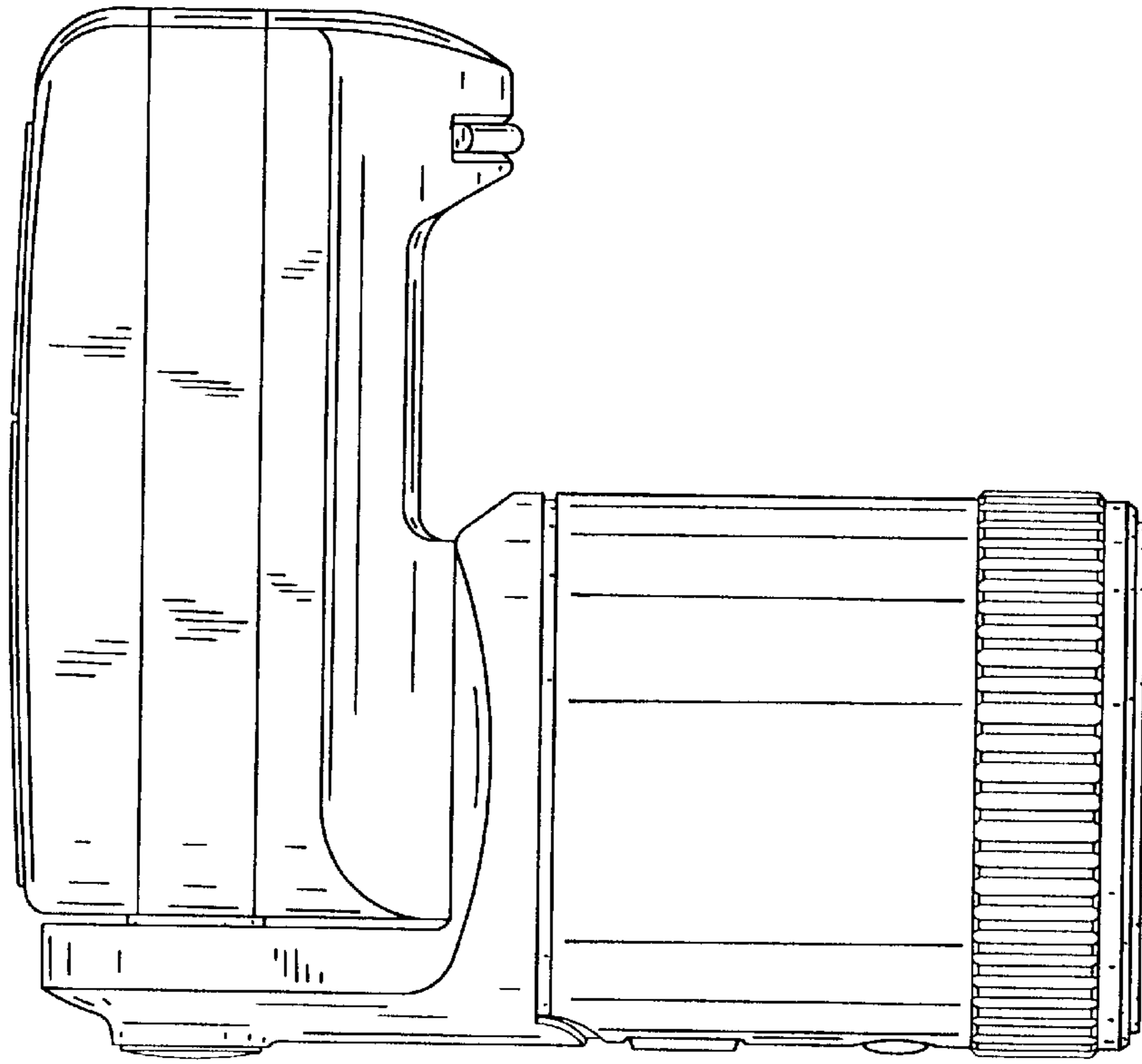


FIG. 5

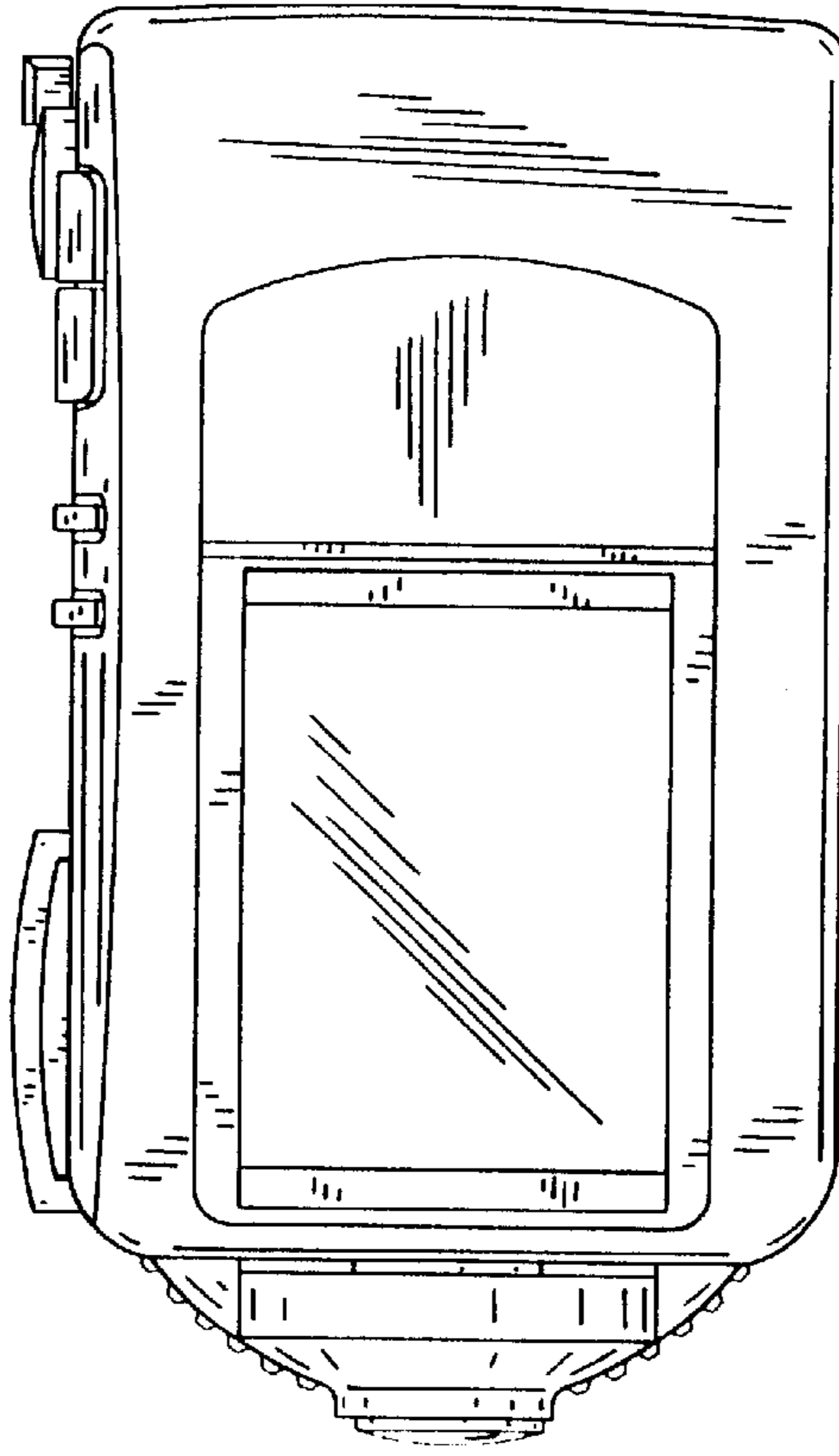


FIG. 4

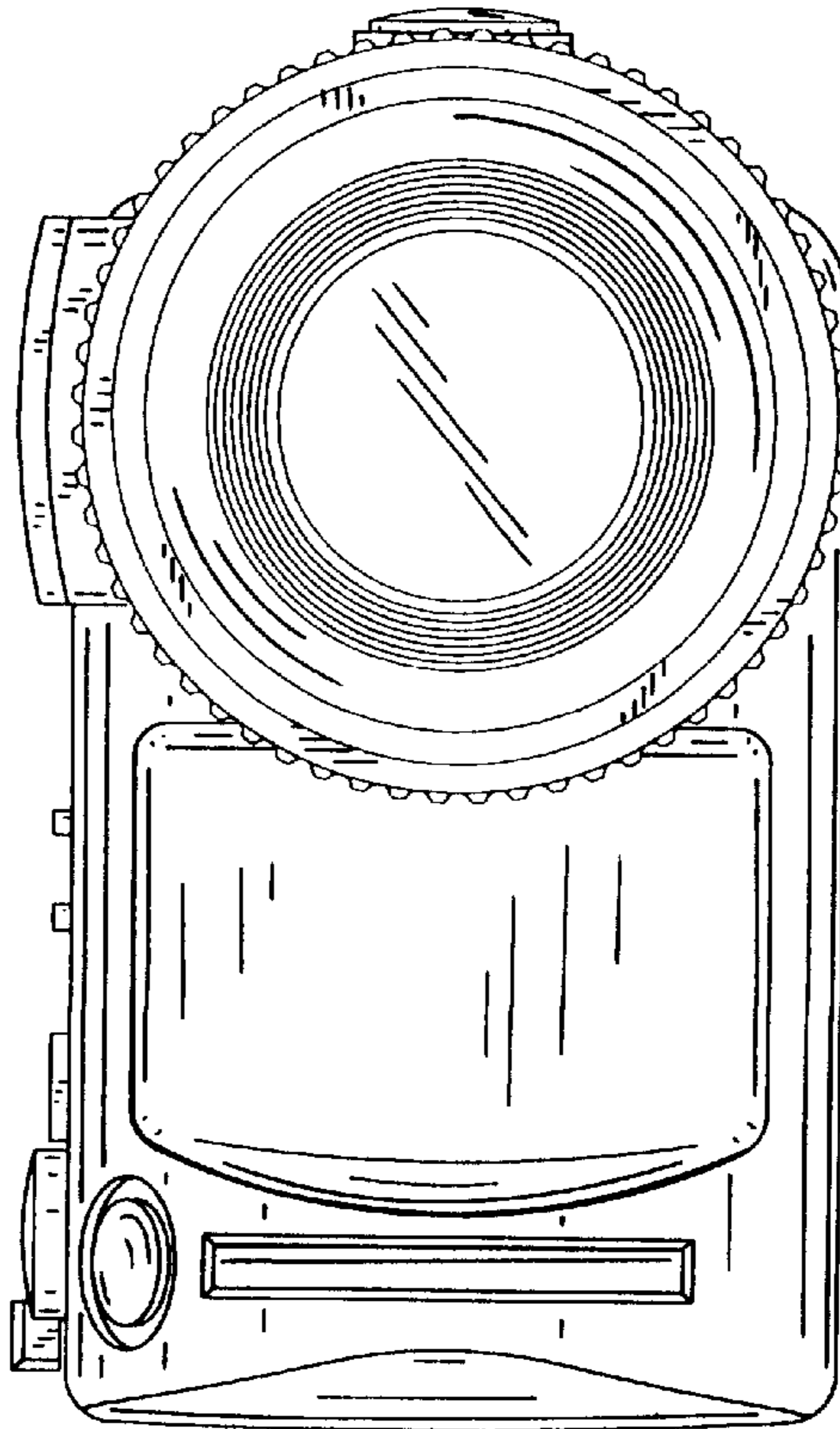


FIG. 7

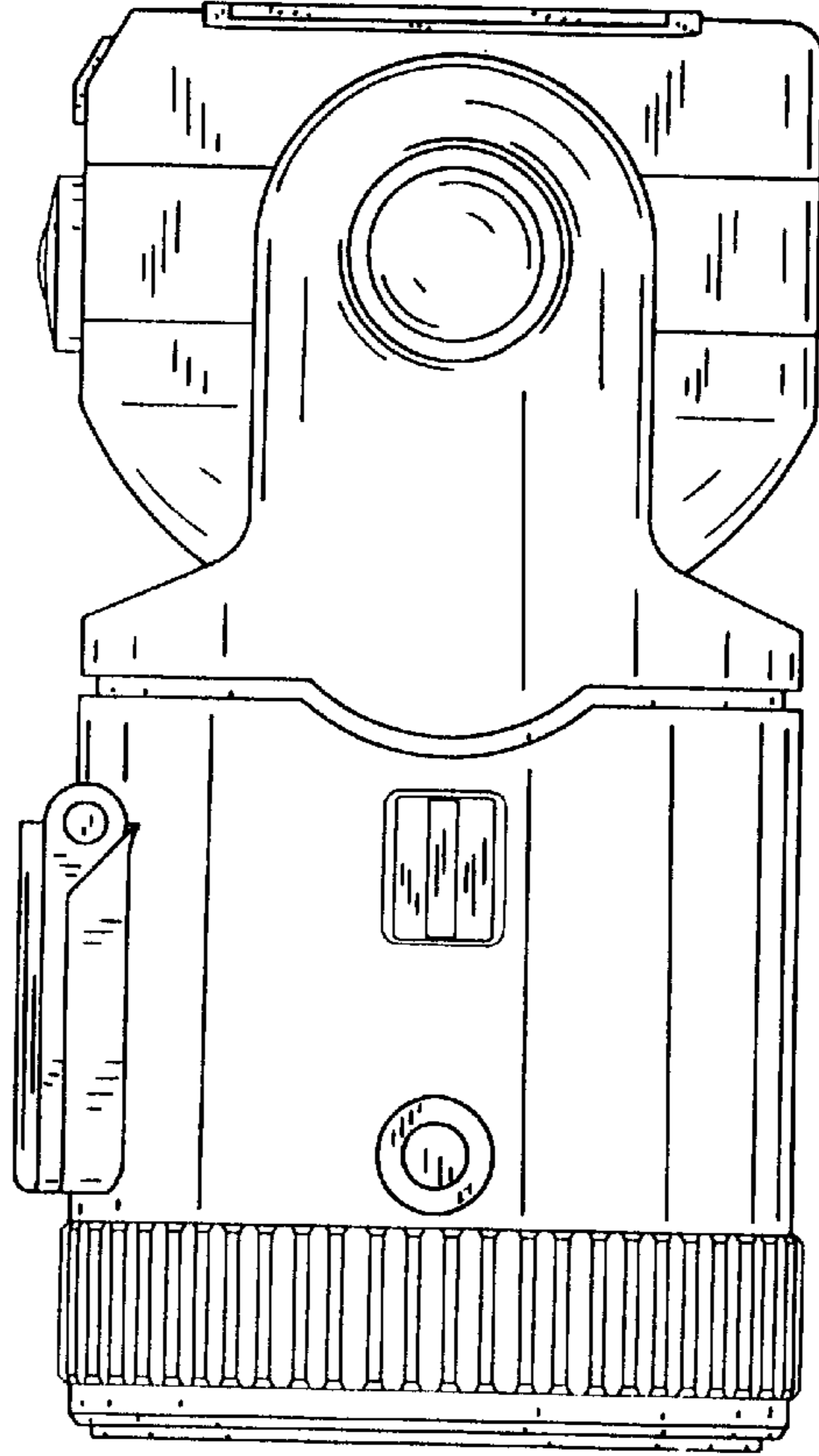


FIG. 6

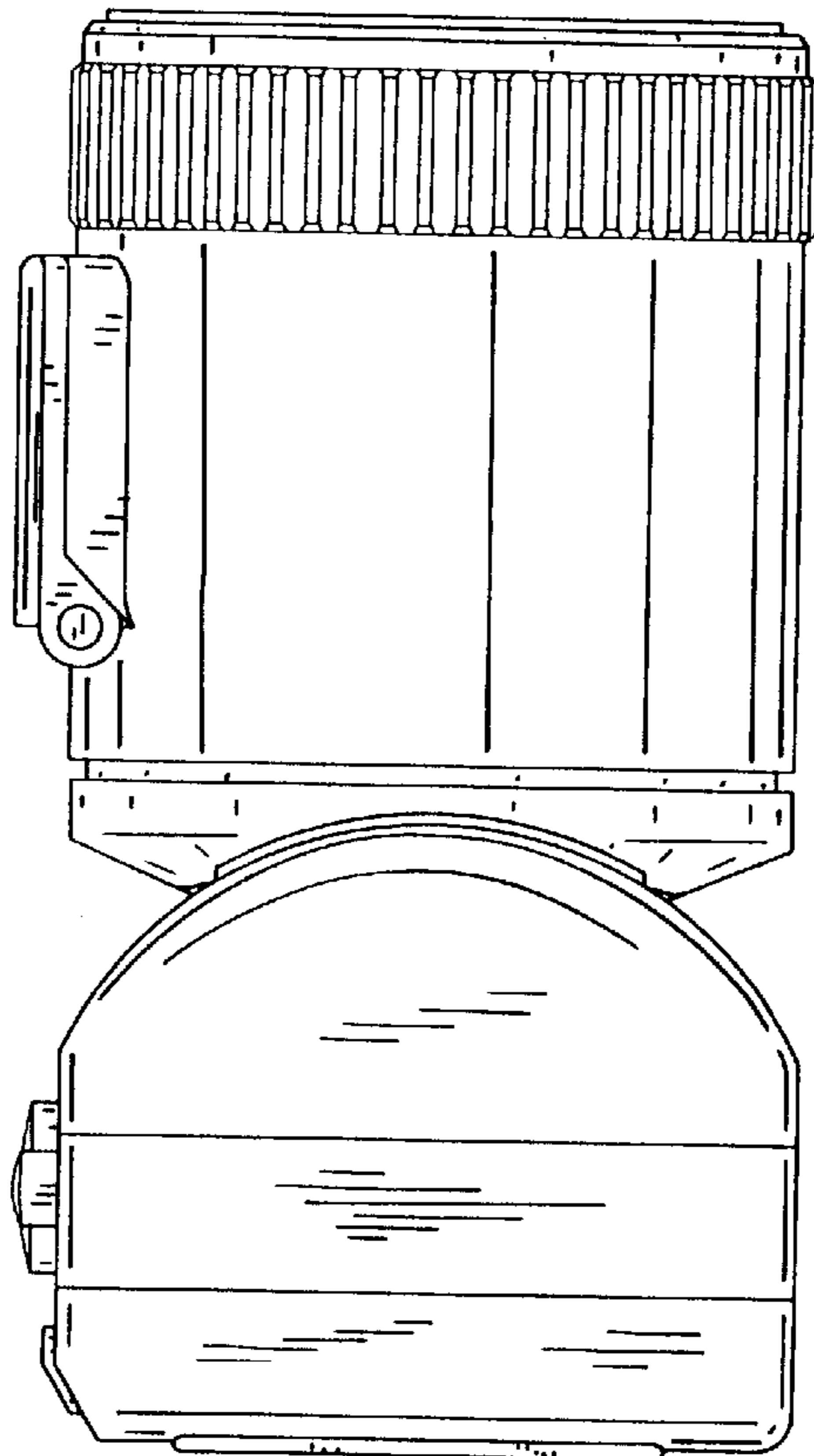


FIG. 8

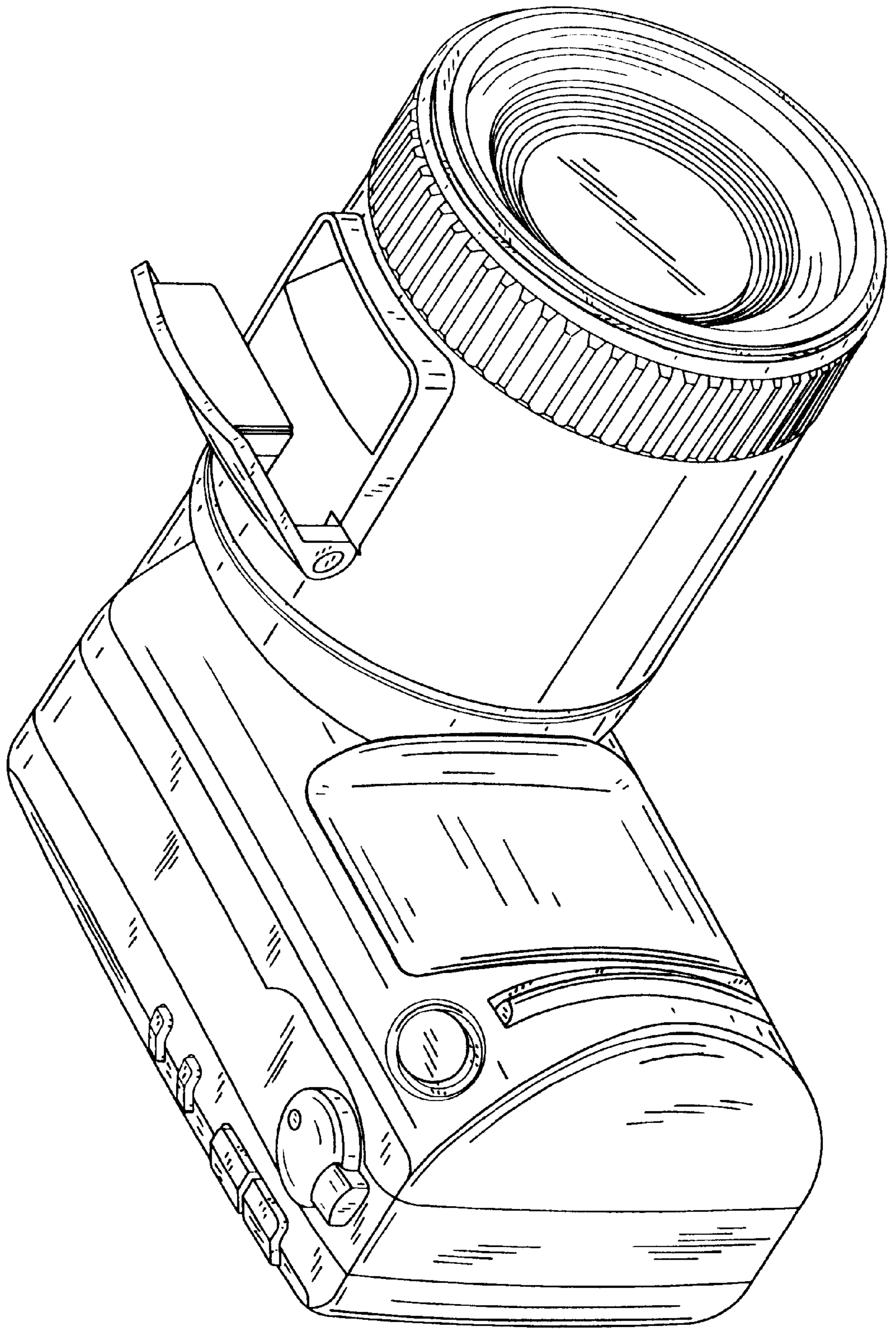


FIG. 9

