



US00D426243S

United States Patent [19] Wang

[11] **Patent Number: Des. 426,243**
[45] **Date of Patent: ** Jun. 6, 2000**

[54] **AIR PUMP (3)**
[75] Inventor: **Chiao-Ming Wang**, Taichung Hsien, Taiwan
[73] Assignee: **Meiko Pet Corporation**, Taichung Hsien, Taiwan
[**] Term: **14 Years**
[21] Appl. No.: **29/112,030**
[22] Filed: **Oct. 12, 1999**
[51] **LOC (7) Cl.** **15-02**
[52] **U.S. Cl.** **D15/8**
[58] **Field of Search** D15/7-9; 815/8; 210/169, 416.2; D30/106; 417/234, 413 R, 410 R, 411, 424.1, 424.2

D. 253,652 12/1979 Maryanski D15/8
D. 294,359 2/1988 Tsai D15/8
D. 339,356 9/1993 Tsai D15/8
D. 395,318 6/1998 Wang D15/8

Primary Examiner—Ralf Seifert
Attorney, Agent, or Firm—Rosenberg, Klein & Lee

[57] CLAIM

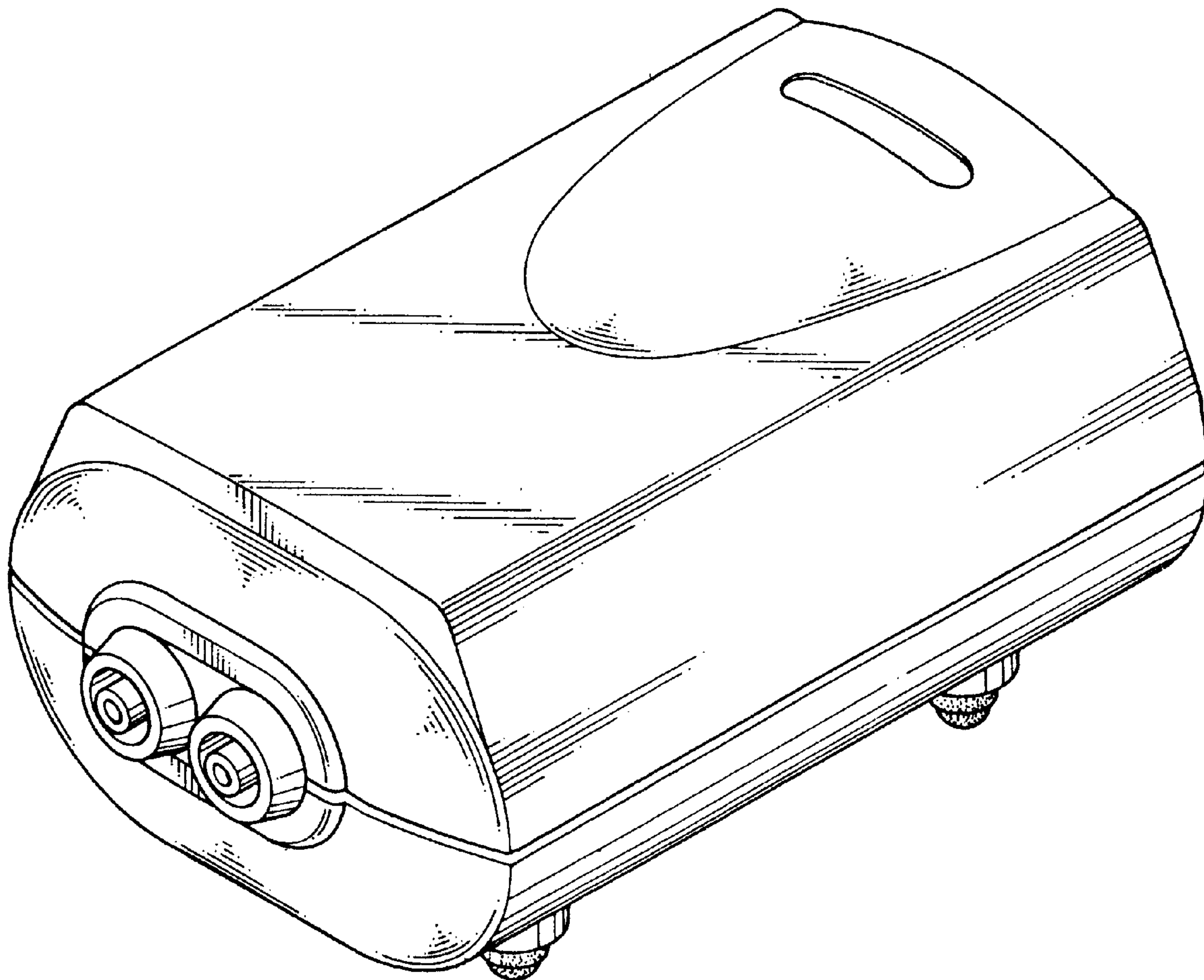
The ornamental design for an air pump (3), as shown and described.

DESCRIPTION

FIG. 1 is a perspective view of air pump (3) showing my new design;
FIG. 2 is a front elevation view thereof;
FIG. 3 is a rear elevation view thereof;
FIG. 4 is a left side elevation view thereof;
FIG. 5 is a right side elevation view thereof;
FIG. 6 is a top plan view thereof; and,
FIG. 7 is a bottom plan view thereof.

[56] **References Cited**
U.S. PATENT DOCUMENTS
D. 224,356 7/1972 Kondo D15/8

1 Claim, 4 Drawing Sheets



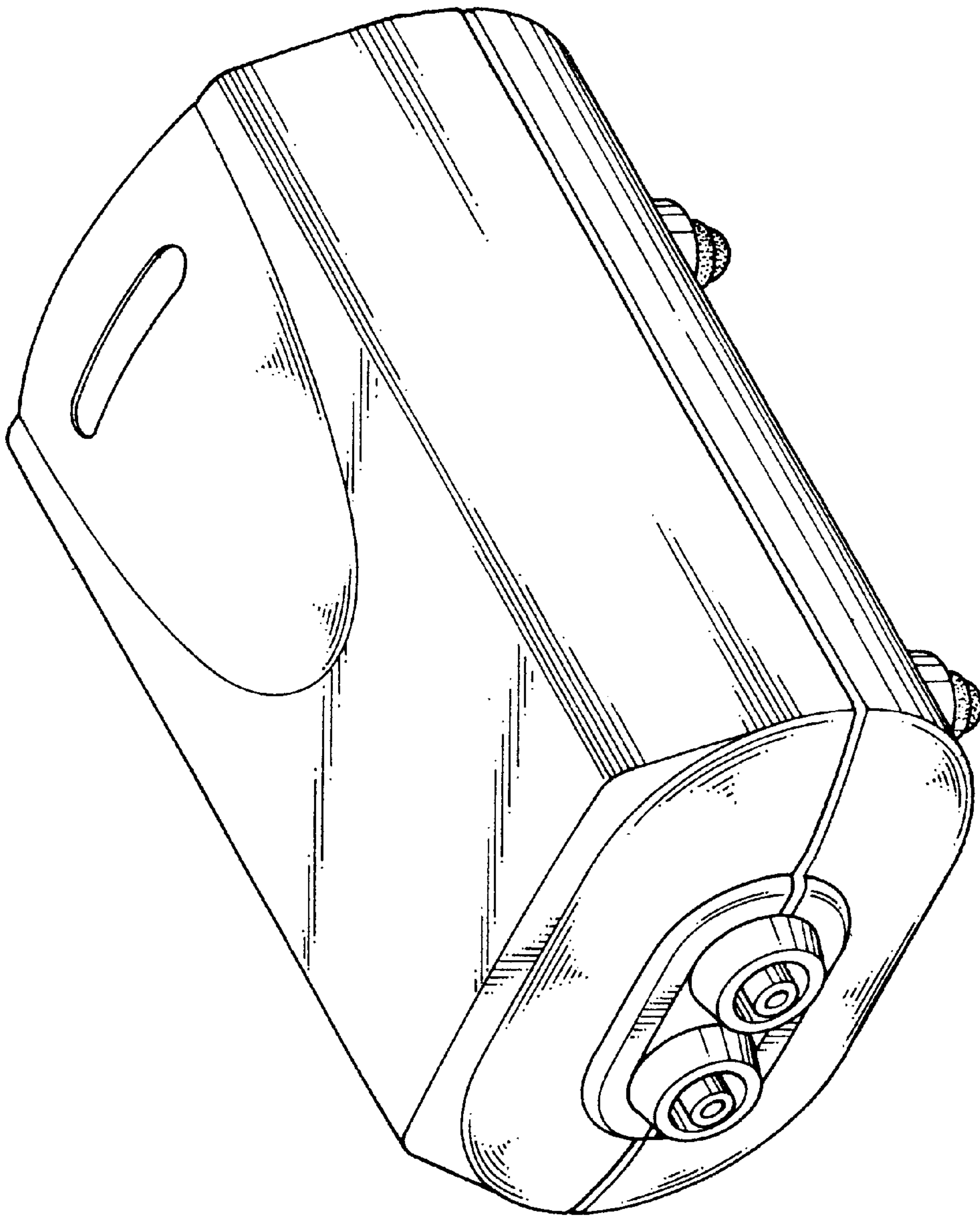


FIG. 1

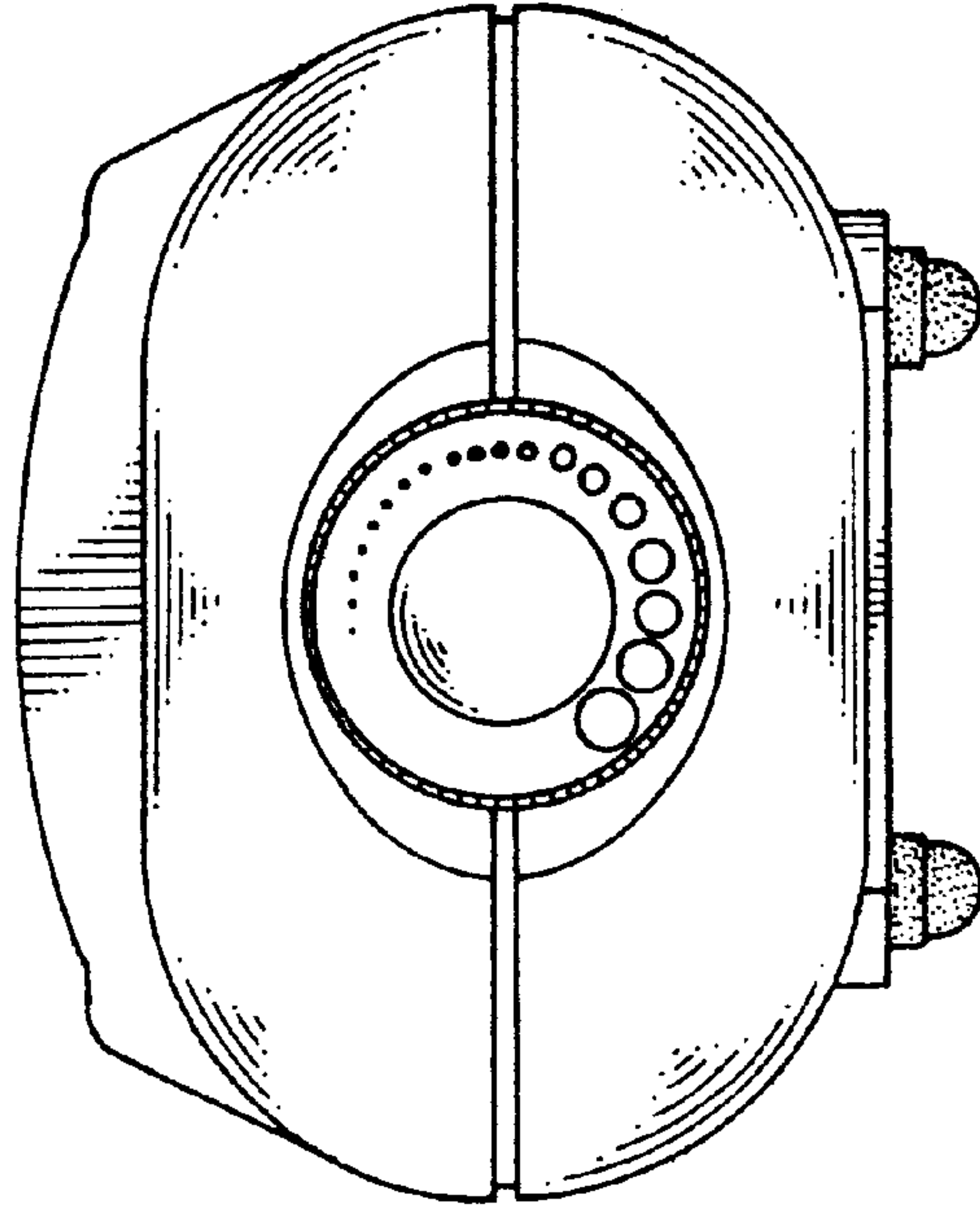


FIG. 3

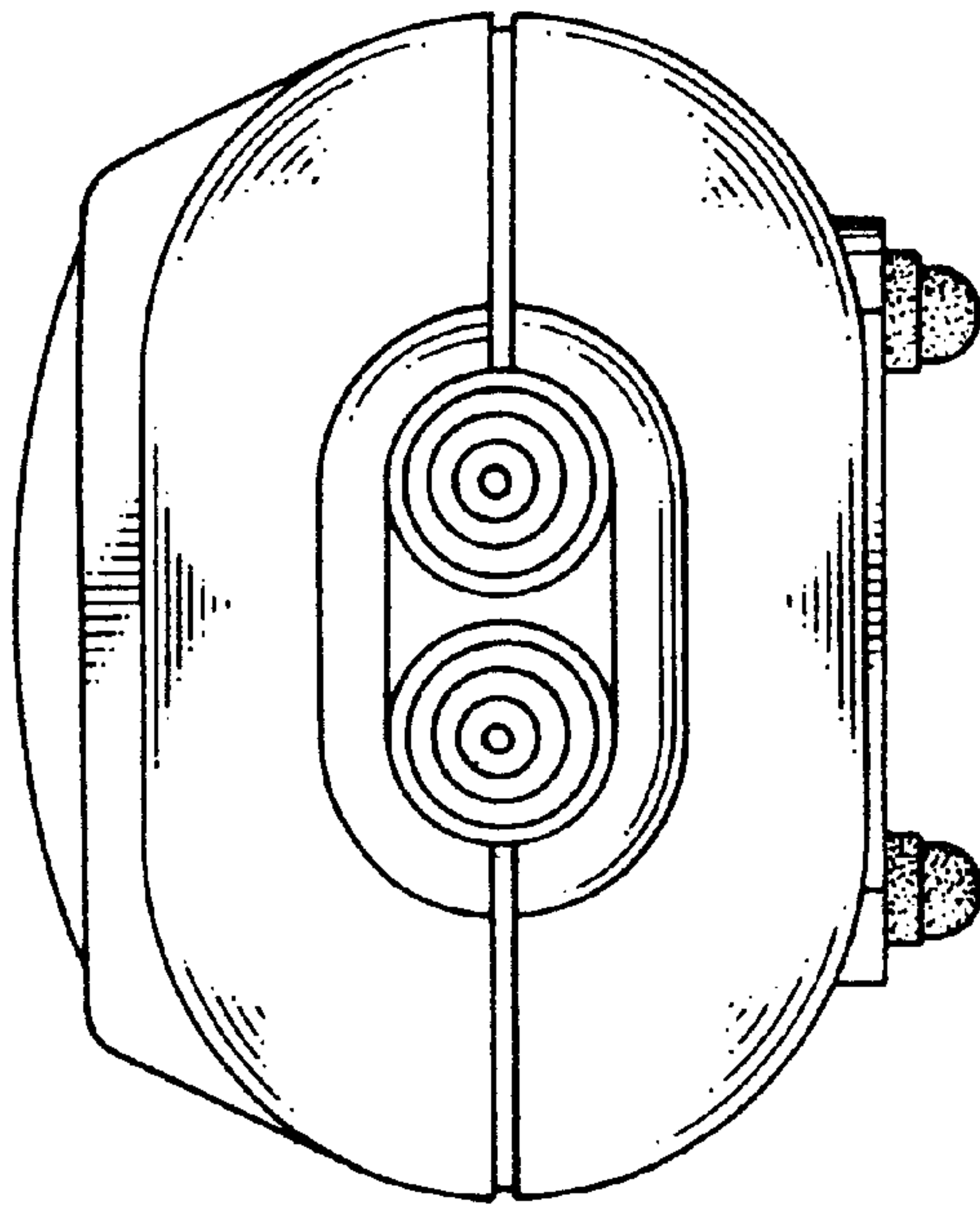


FIG. 2

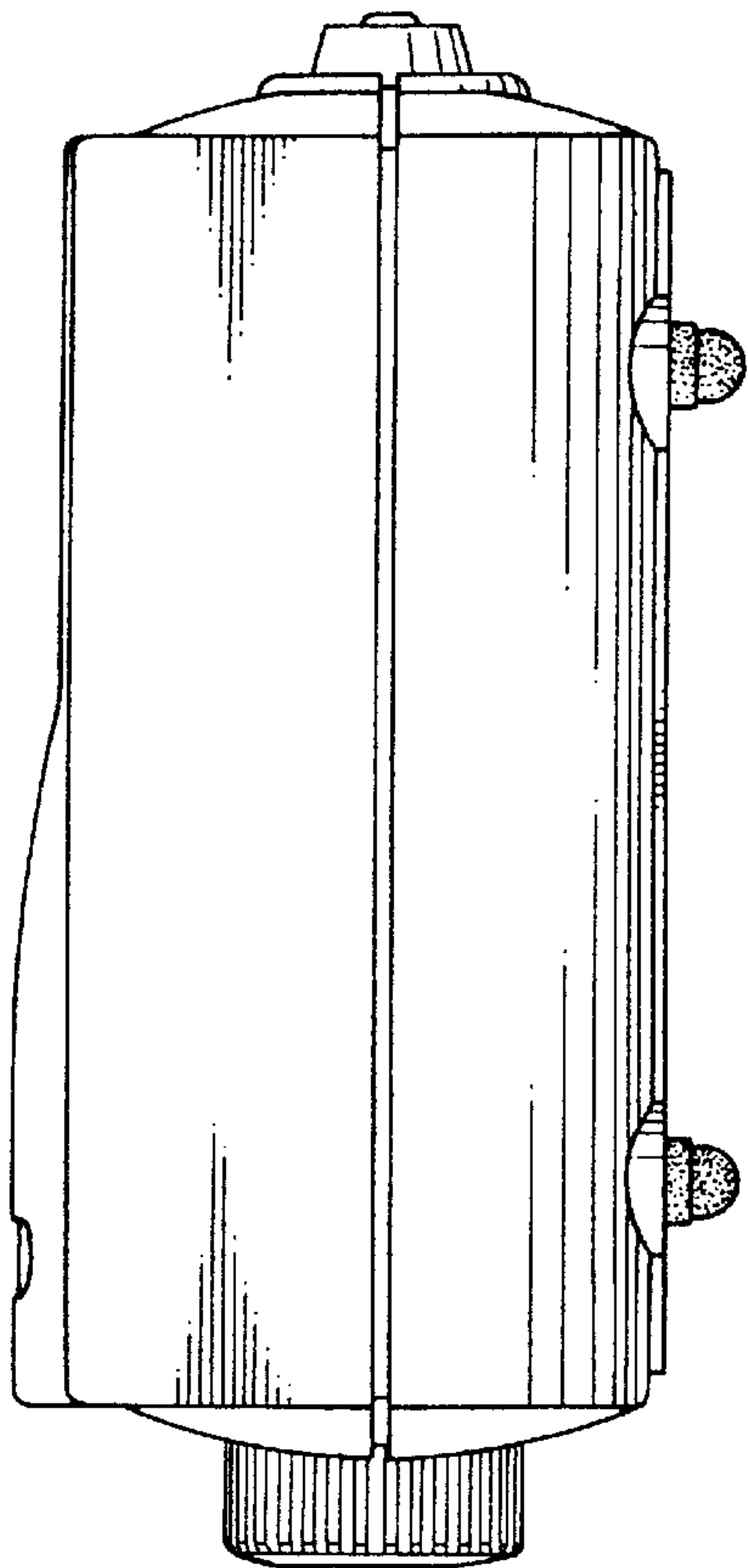


FIG. 4

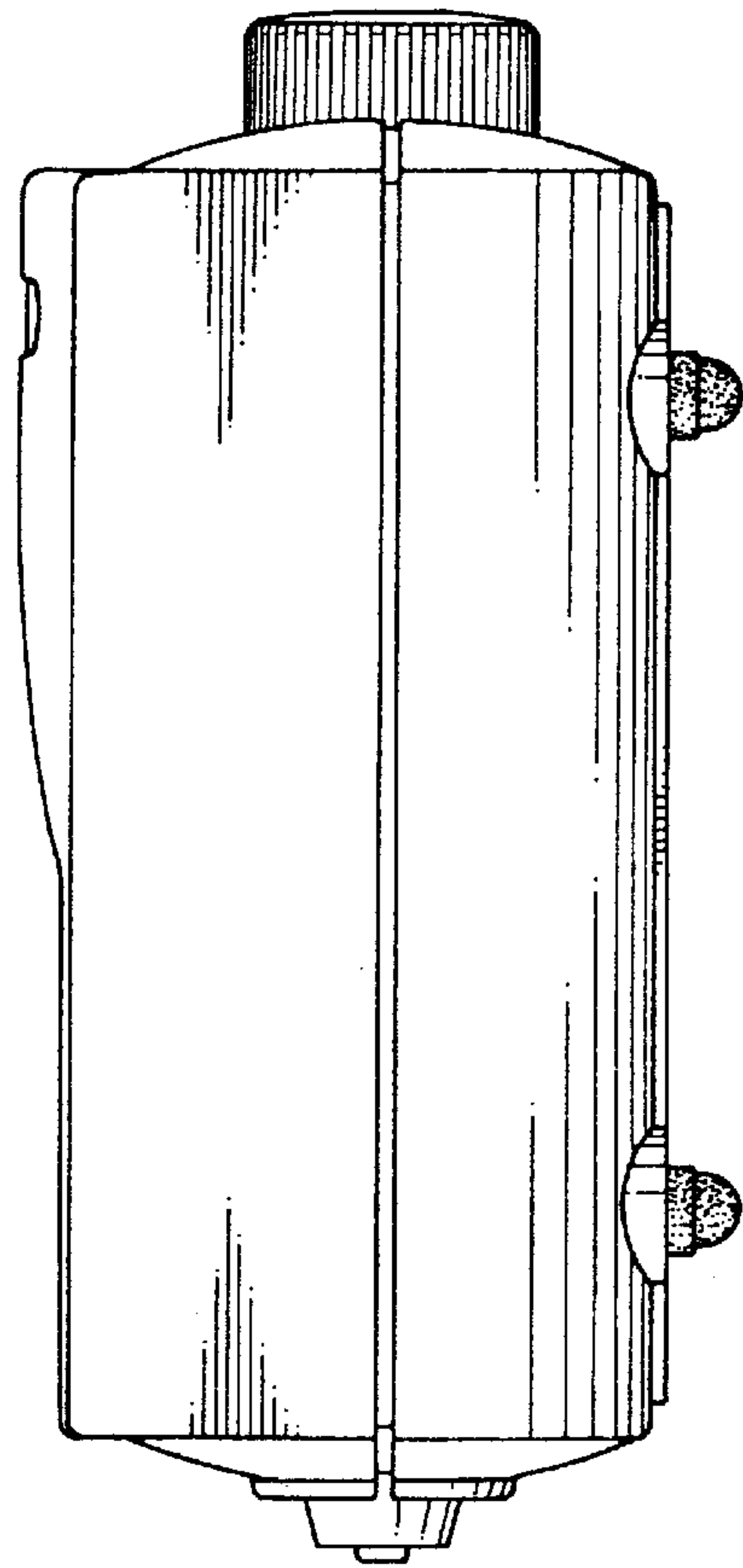


FIG. 5

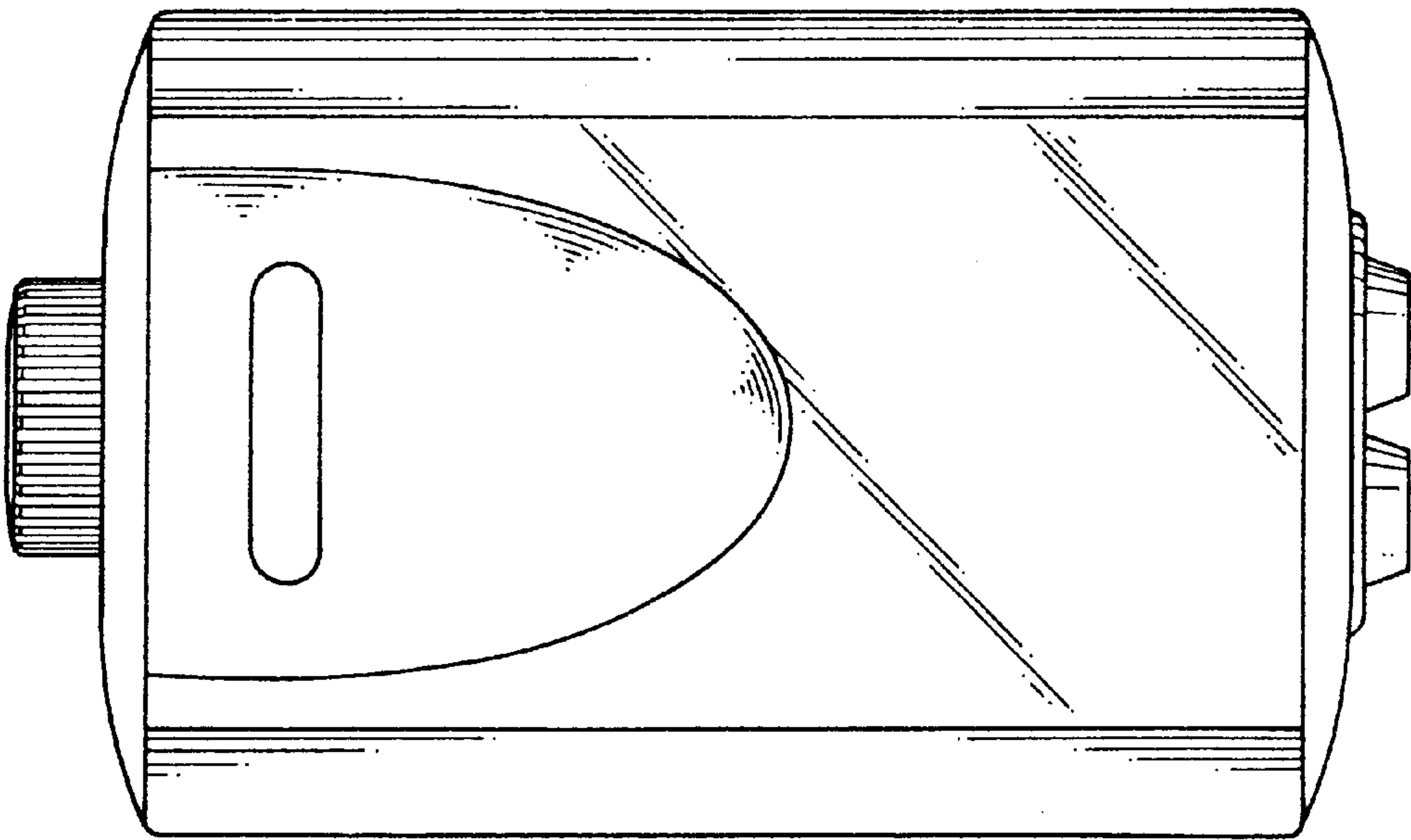


FIG. 6

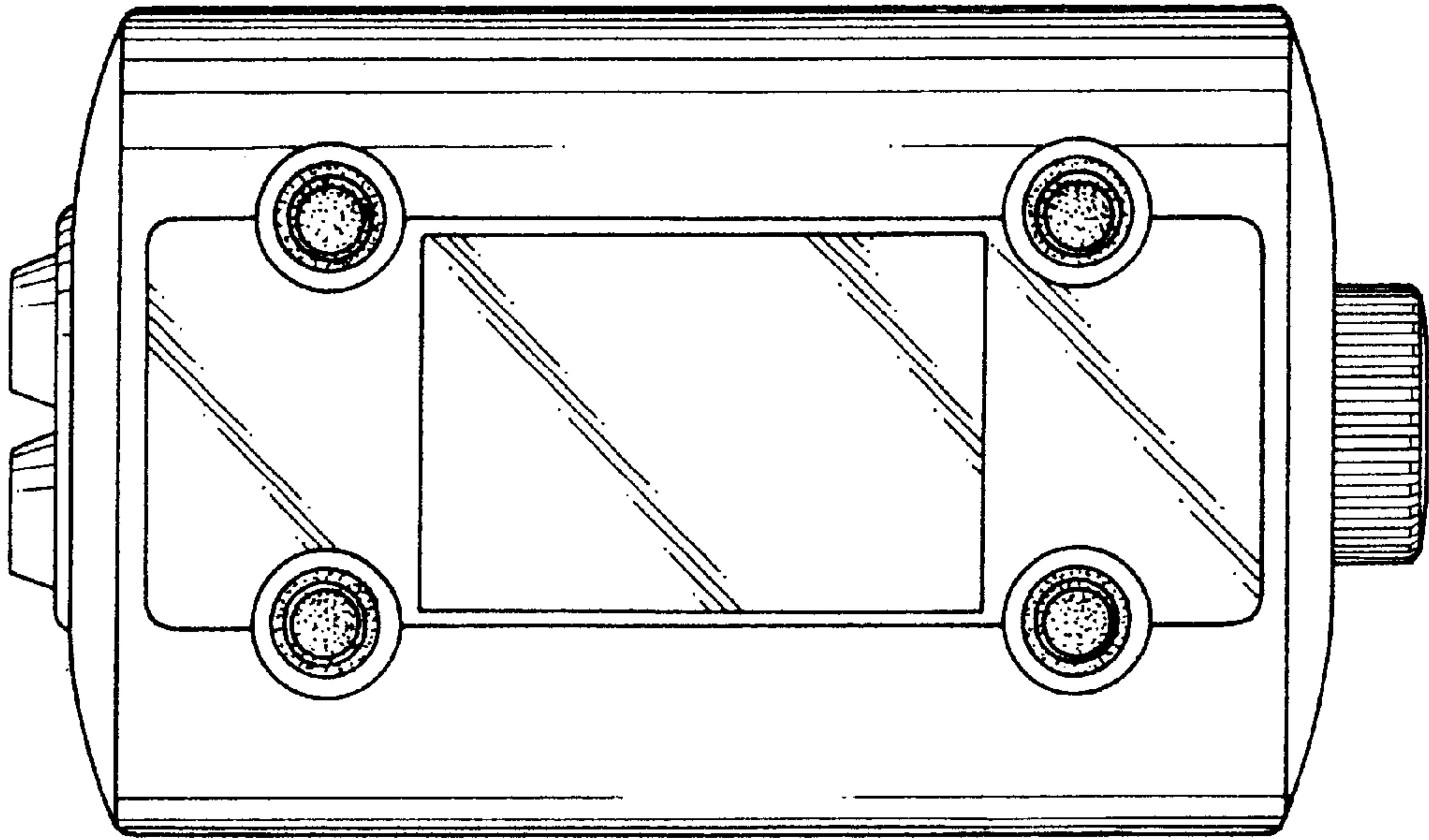


FIG. 7