



US00D426240S

United States Patent [19] Senda

[11] **Patent Number: Des. 426,240**
[45] **Date of Patent: ** Jun. 6, 2000**

[54] **SCANNER**

[75] Inventor: **Tamotsu Senda**, Ehime, Japan

[73] Assignee: **Matsushita Electric Industrial Co., Ltd.**, Japan

[**] Term: **14 Years**

[21] Appl. No.: **29/115,616**

[22] Filed: **Dec. 16, 1999**

[30] Foreign Application Priority Data

Jul. 15, 1999 [JP] Japan 11-19093

[51] **LOC (7) Cl.** **14-02**

[52] **U.S. Cl.** **D14/420**

[58] **Field of Search** D14/420-431;
D19/41-51; 235/375, 378, 385, 8, 454,
462, 472, 486, 462.15, 472.02; 382/312-315,
321, 318, 319; 250/203.1, 216, 566; D26/37,
45, 50

[56] References Cited

U.S. PATENT DOCUMENTS

- D. 243,098 1/1977 Kohn .
- D. 243,341 2/1977 Miller .
- D. 307,894 5/1990 Siemiatkowski .
- D. 352,939 11/1994 Karlin .

- D. 361,564 8/1995 Inaba .
- D. 405,075 2/1999 Ahearn et al. .
- 4,703,186 10/1987 Nakayama et al. .

OTHER PUBLICATIONS

Fujitsu Model No. RS-20U, catalogue issued May 18, 1999.
Casio Model No. FZ-700S, catalogue issued before Jul. 15, 1999.
NEC Model No. PC-IN800U, catalogue issued before Jul. 15, 1999.

Primary Examiner—M. H. Tung
Attorney, Agent, or Firm—SAIDMAN DesignLaw Group

[57] CLAIM

The ornamental design for a scanner, as shown and described.

DESCRIPTION

FIG. 1 is a perspective view of the top, rear and right side of a scanner showing my new design;
FIG. 2 is a front elevational view thereof;
FIG. 3 is a rear elevational view thereof;
FIG. 4 is a left side view thereof;
FIG. 5 is a right side view thereof;
FIG. 6 is a top plan view thereof; and,
FIG. 7 is a bottom plan view thereof.

1 Claim, 3 Drawing Sheets

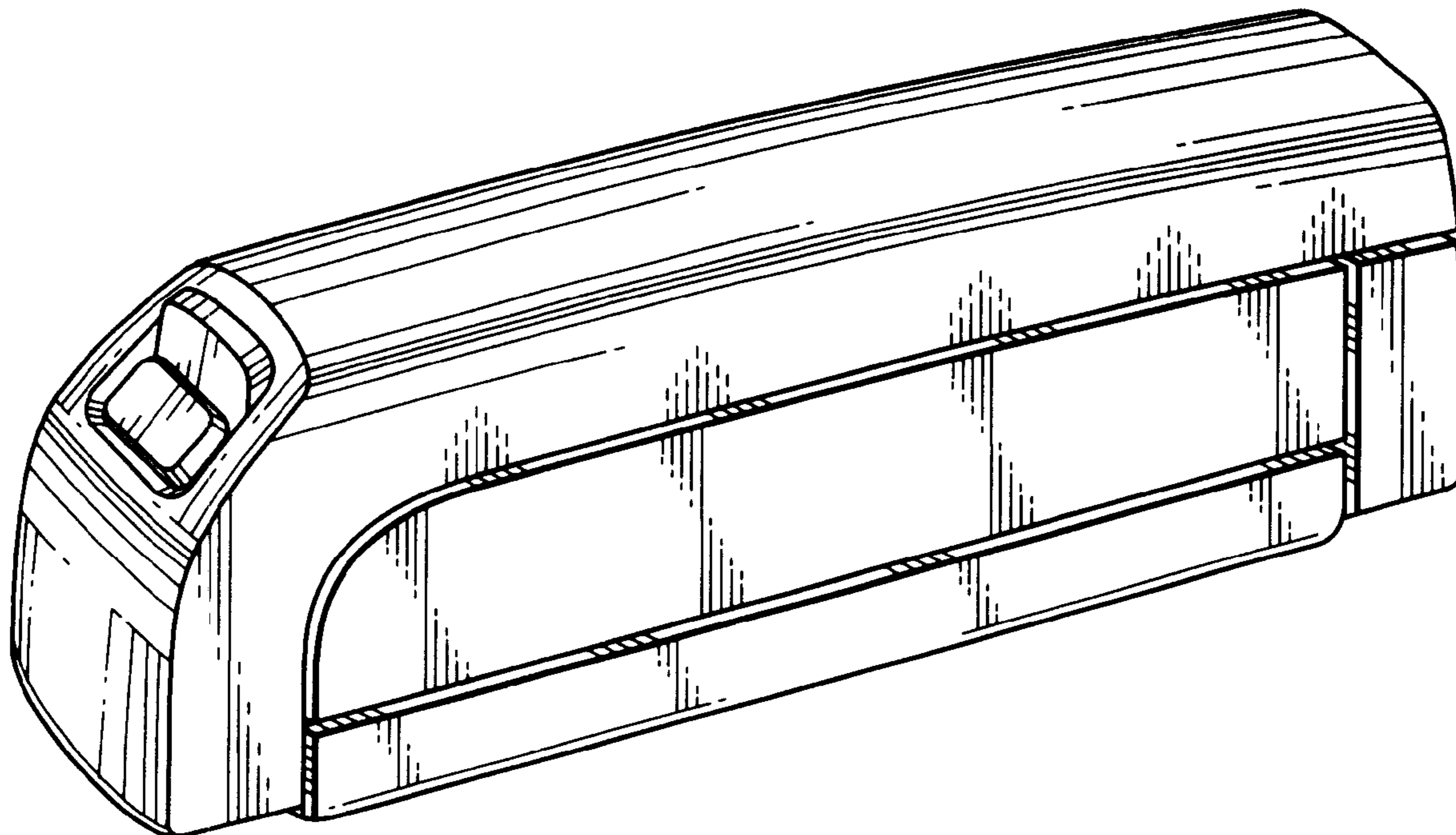


Fig. 1

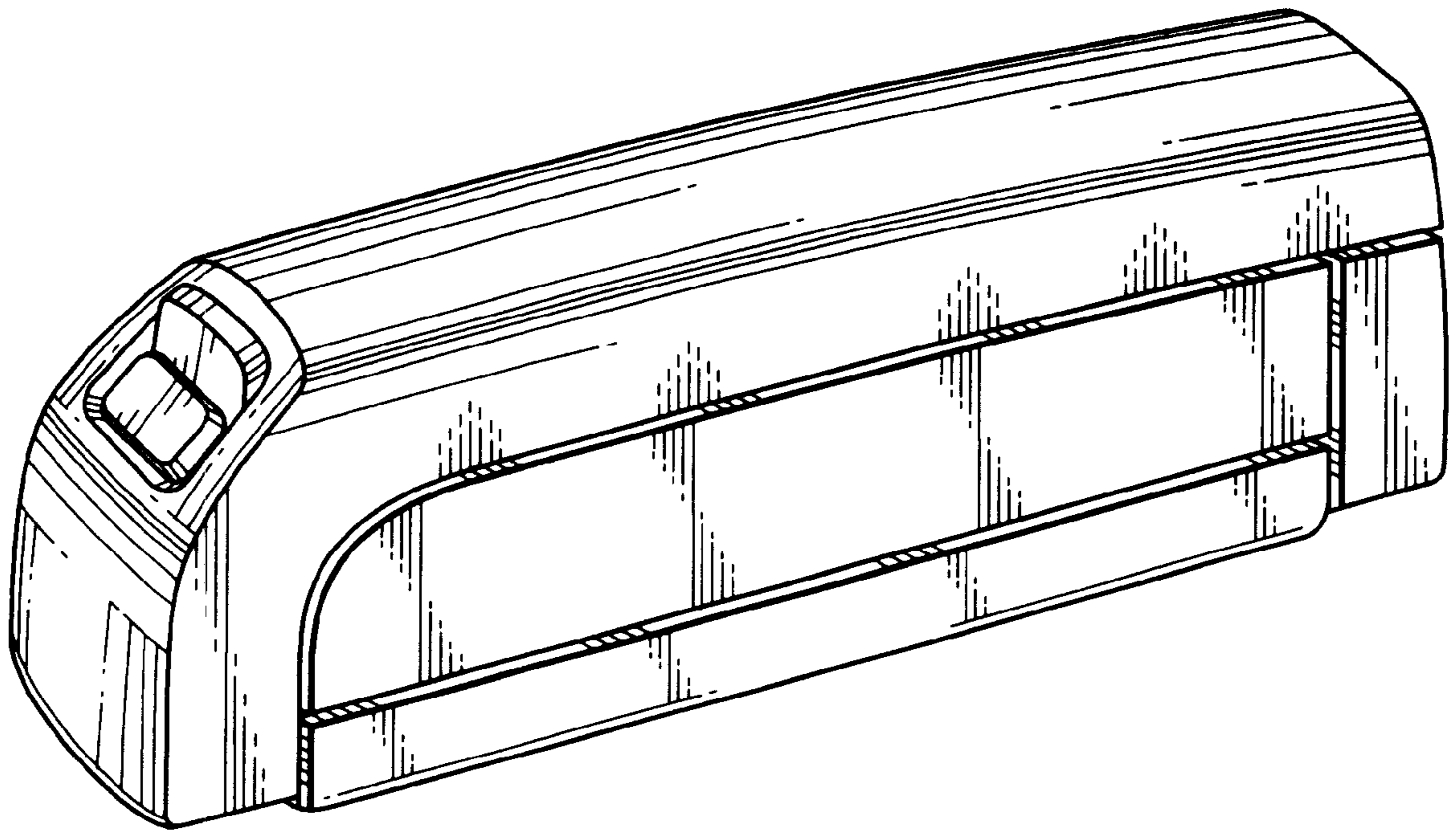


Fig. 2

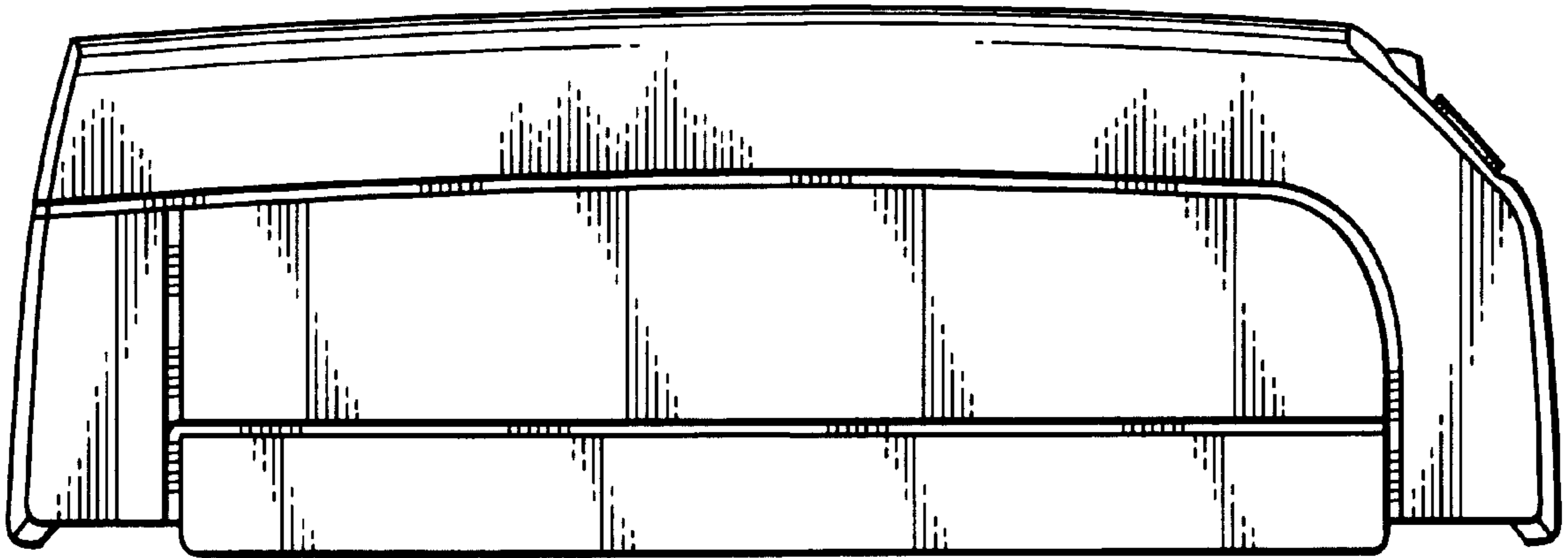


Fig. 3

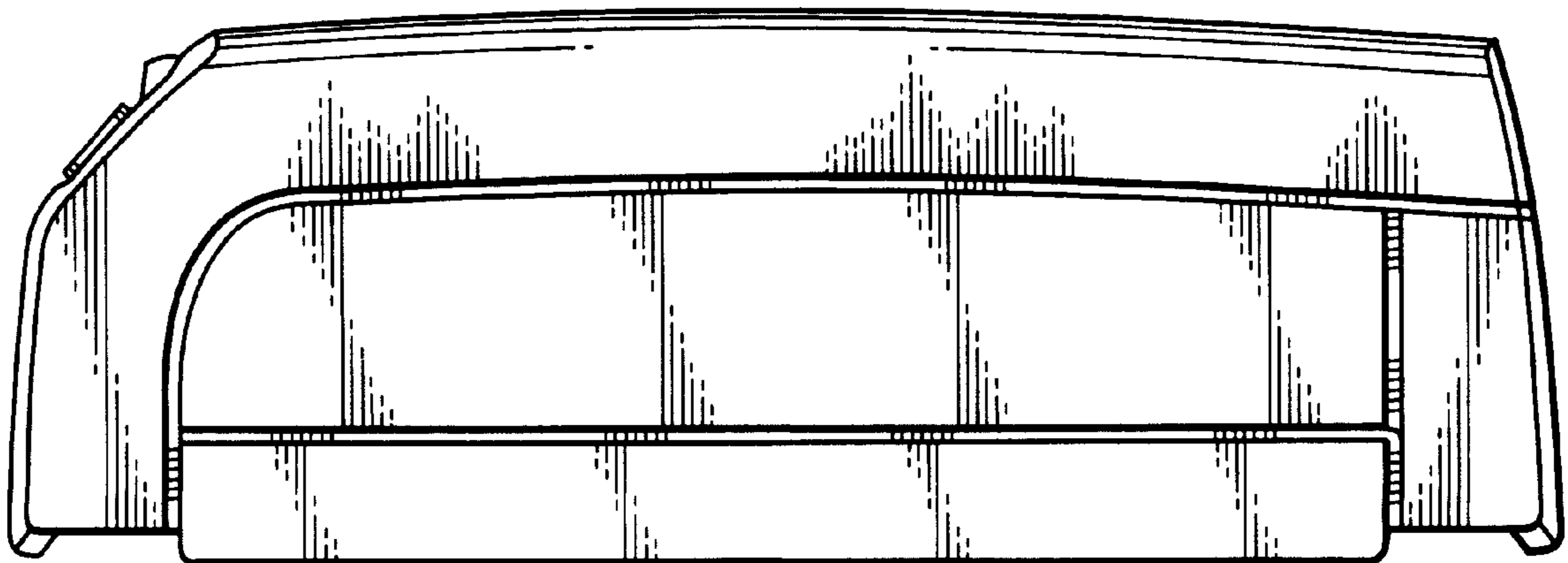


Fig. 4

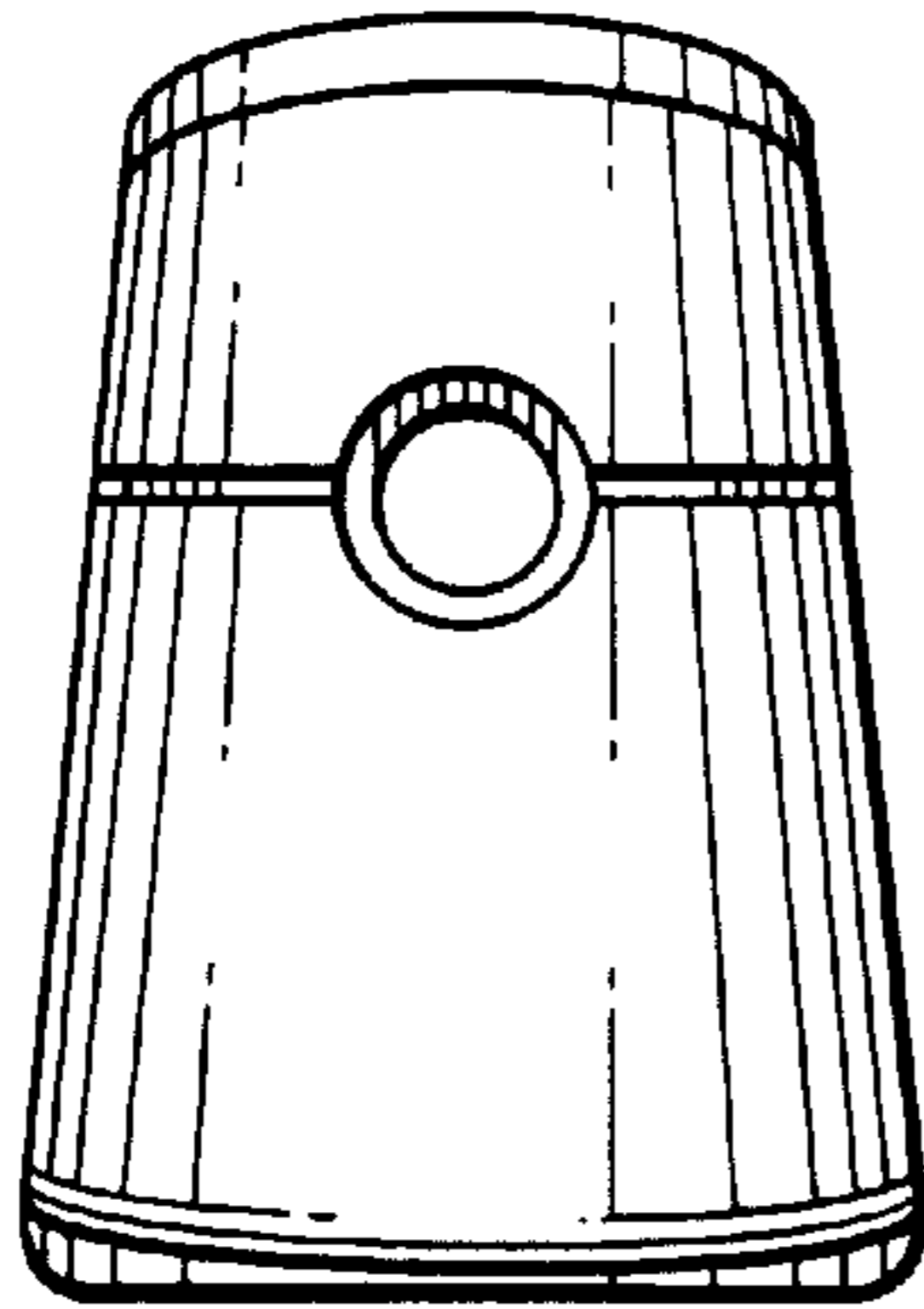


Fig. 5

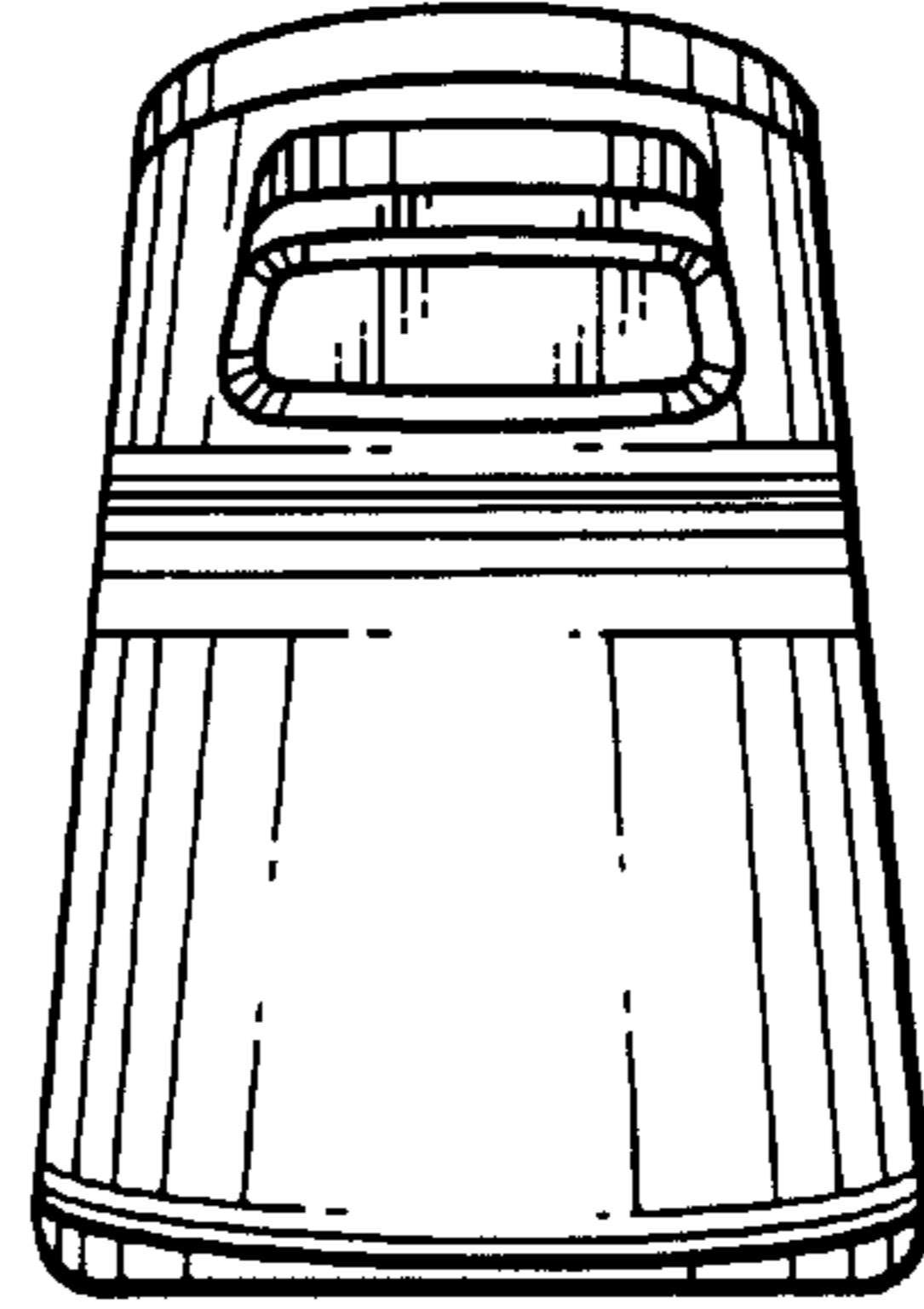


Fig. 6

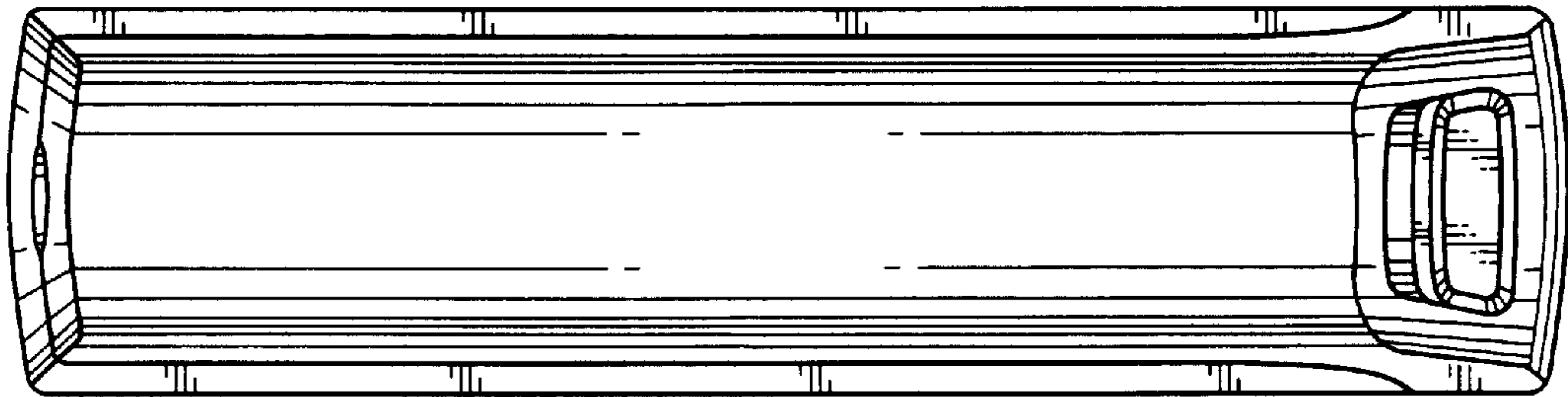


Fig. 7

