



US00D426239S

United States Patent [19] Adachi

[11] **Patent Number: Des. 426,239**
[45] **Date of Patent: ** Jun. 6, 2000**

[54] **IMAGE SCANNER**

D. 411,833 7/1999 Iwakawa et al. D14/107
5,999,215 12/1999 Tamura .

[75] Inventor: **Tomoyuki Adachi**, Konan, Japan

[73] Assignee: **Elmo Co., Ltd.**, Aichi, Japan

Primary Examiner—M. H. Tung
Attorney, Agent, or Firm—Koda & Androlia

[**] Term: **14 Years**

[57] CLAIM

[21] Appl. No.: **29/096,967**

The ornamental design for an image scanner, as shown and described.

[22] Filed: **Nov. 24, 1998**

DESCRIPTION

[30] Foreign Application Priority Data

May 29, 1998 [JP] Japan 10-15458

[51] **LOC (7) Cl.** **14-02**

[52] **U.S. Cl.** **D14/420**

[58] **Field of Search** D14/107, 114,
D14/116; 235/454, 470, 476; 355/81, 64-5;
358/486; 348/335, 345, 224-5

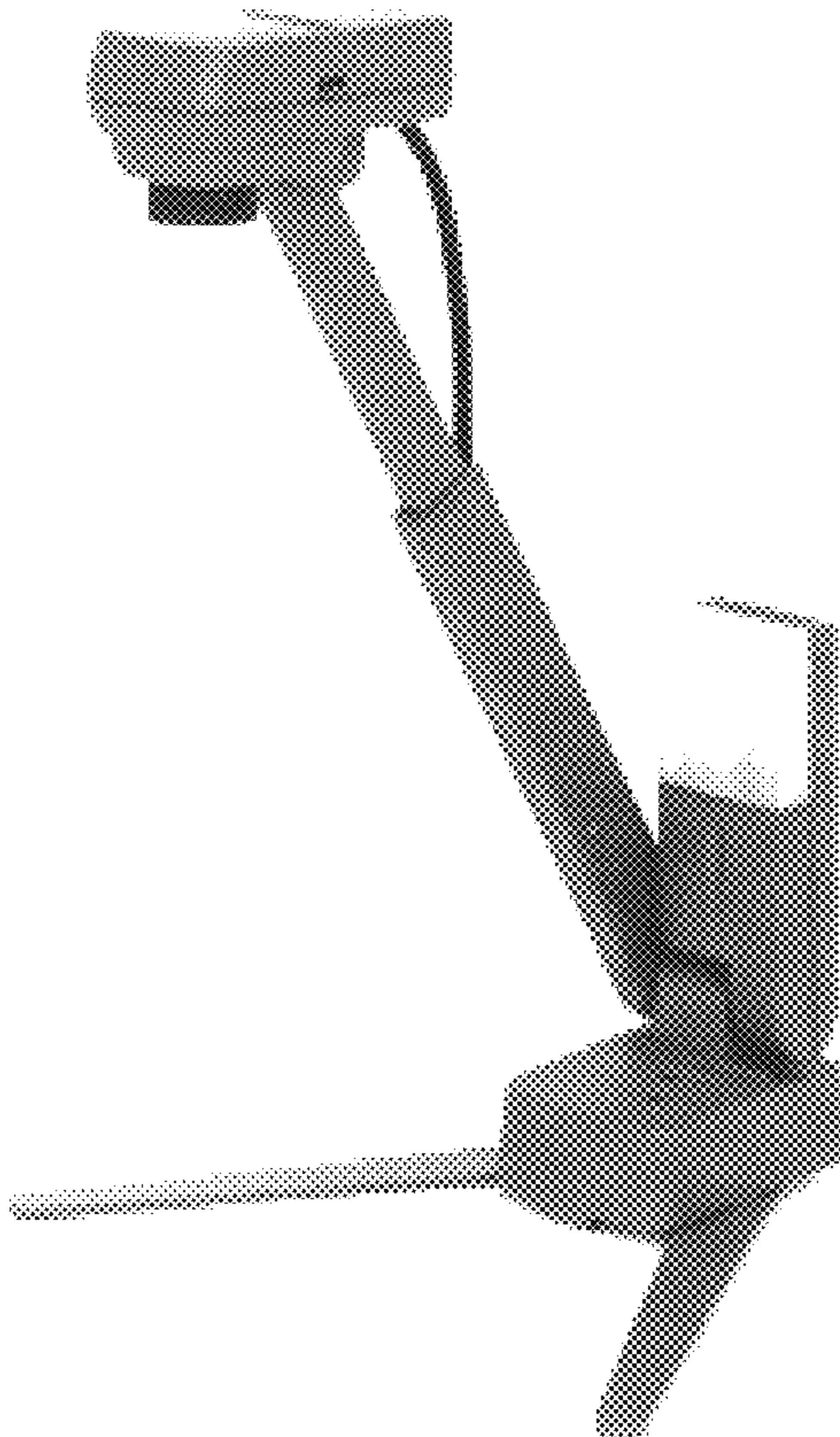
FIG. 1 is a front elevational view of an image scanner showing my new design;
FIG. 2 is a rear elevational view thereof;
FIG. 3 is a top plan view thereof;
FIG. 4 is a bottom plan view thereof;
FIG. 5 is a right side elevational view thereof;
FIG. 6 is a left side elevational view thereof; and
FIG. 7 is a perspective view taken from the front, top and right side of the image scanner;
FIG. 8 is a perspective view taken from the front, top, and right side of the image scanner, the supporting arm is shown shortened; and,
FIG. 9 is a perspective view taken from the front, top, and right side of the image scanner, the scanner is shown in the folded position.

[56] References Cited

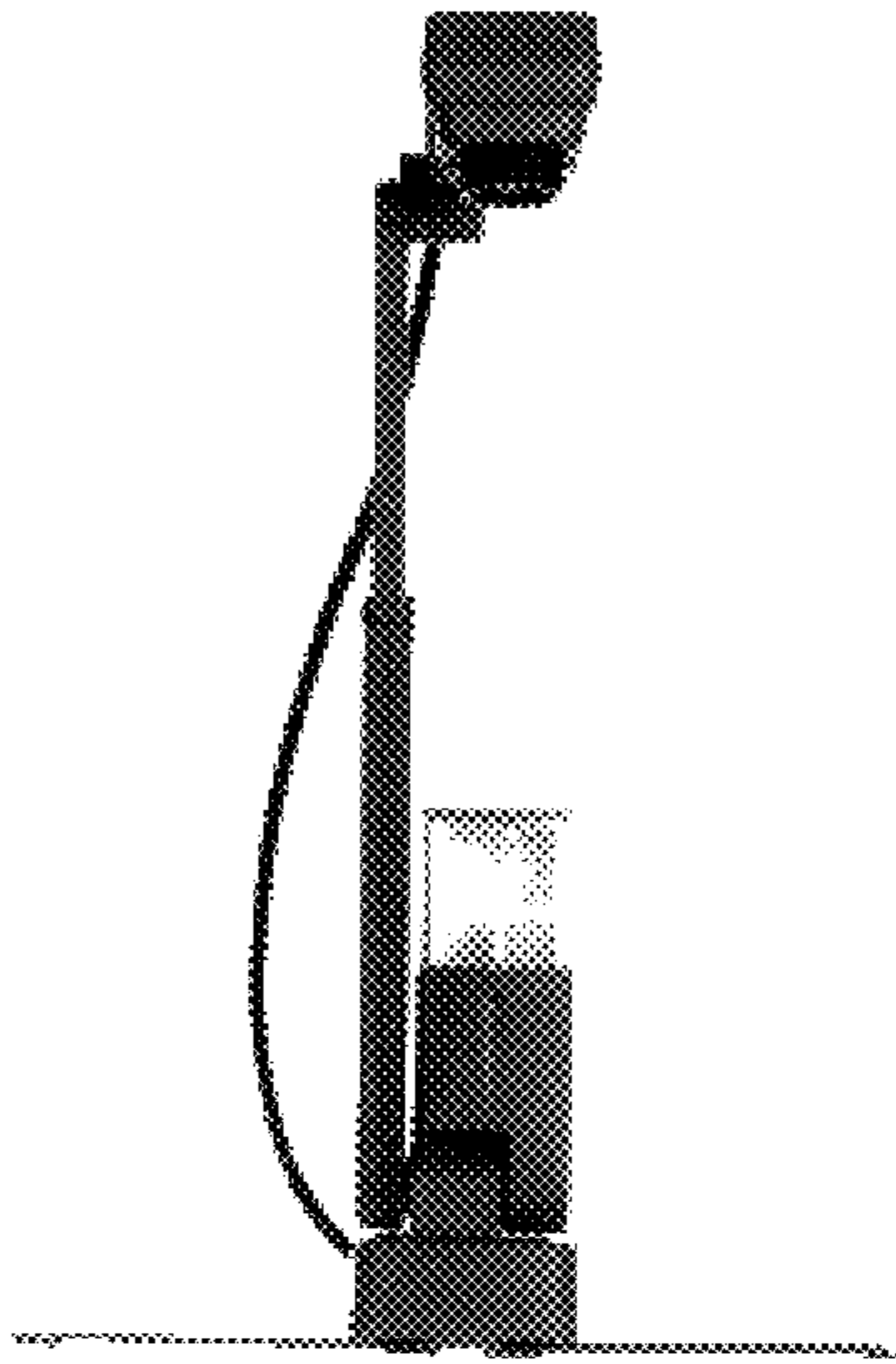
U.S. PATENT DOCUMENTS

- D. 352,502 11/1994 Hasegawa D14/107
- D. 364,852 12/1995 Park D14/107
- D. 376,139 12/1996 Hasegawa D14/107
- D. 384,653 10/1997 Hasegawa D14/107
- D. 386,157 11/1997 Hasegawa D14/107
- D. 399,192 10/1998 Hasegawa D14/107

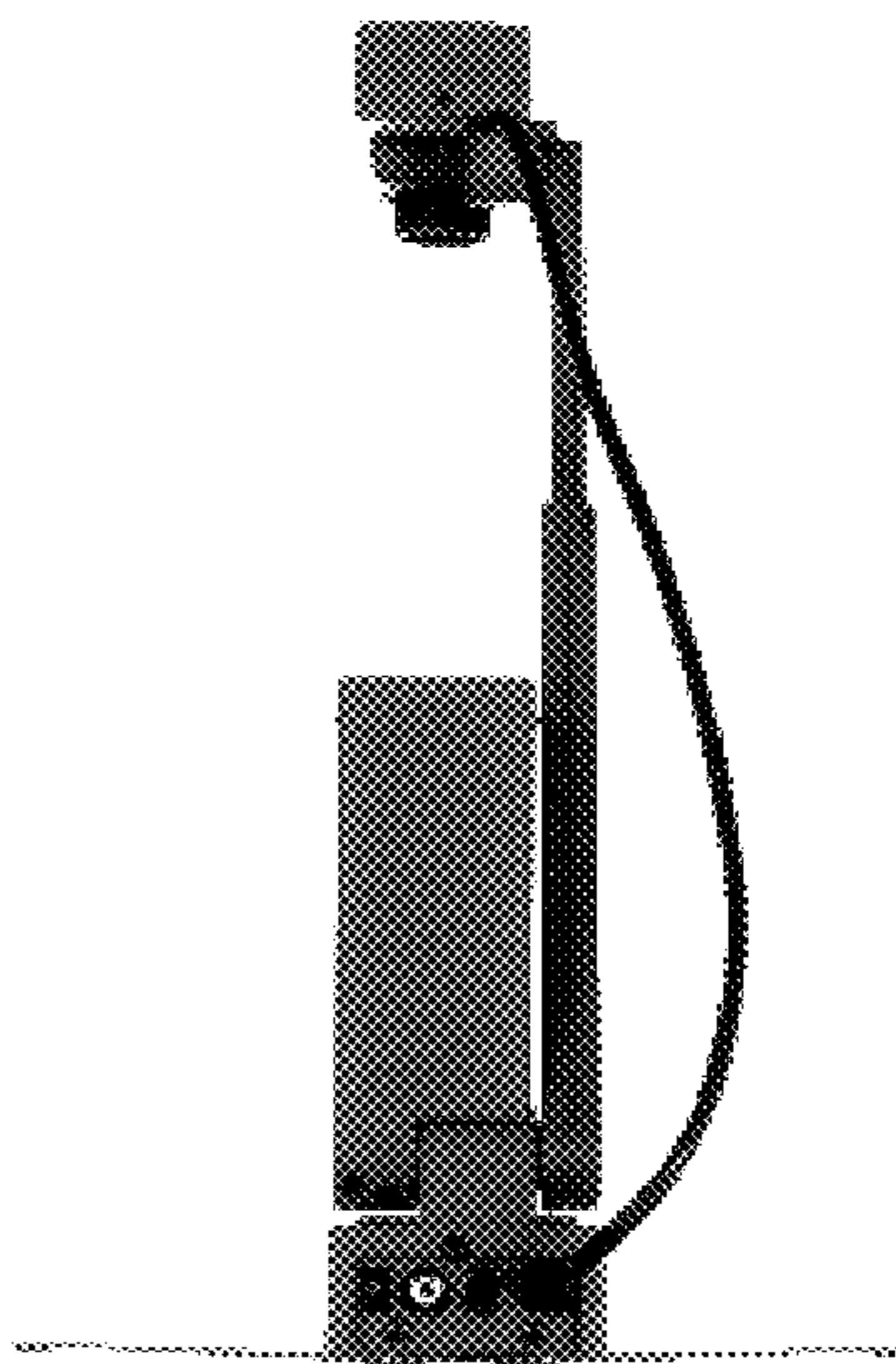
1 Claim, 5 Drawing Sheets



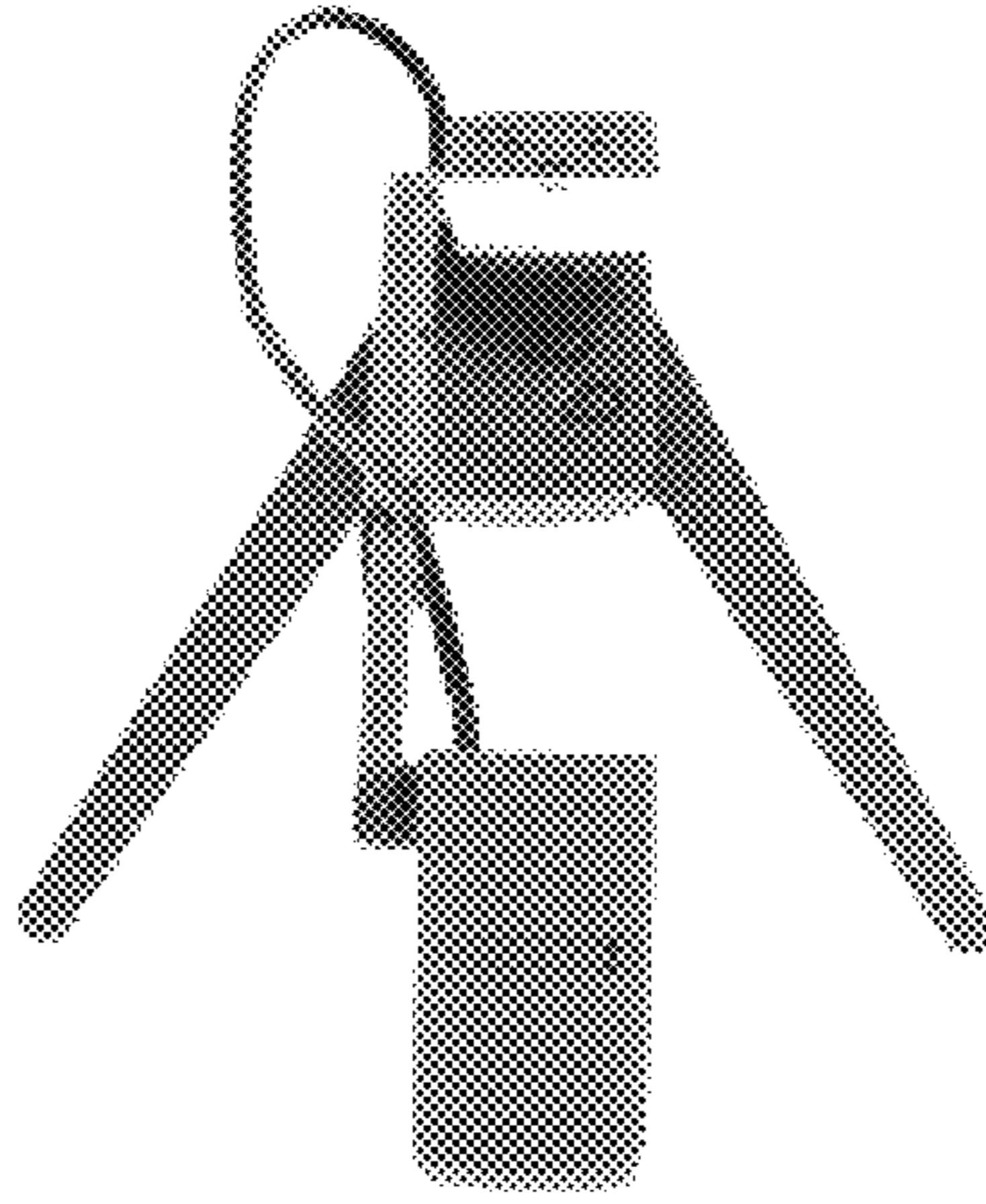
F i g . 1



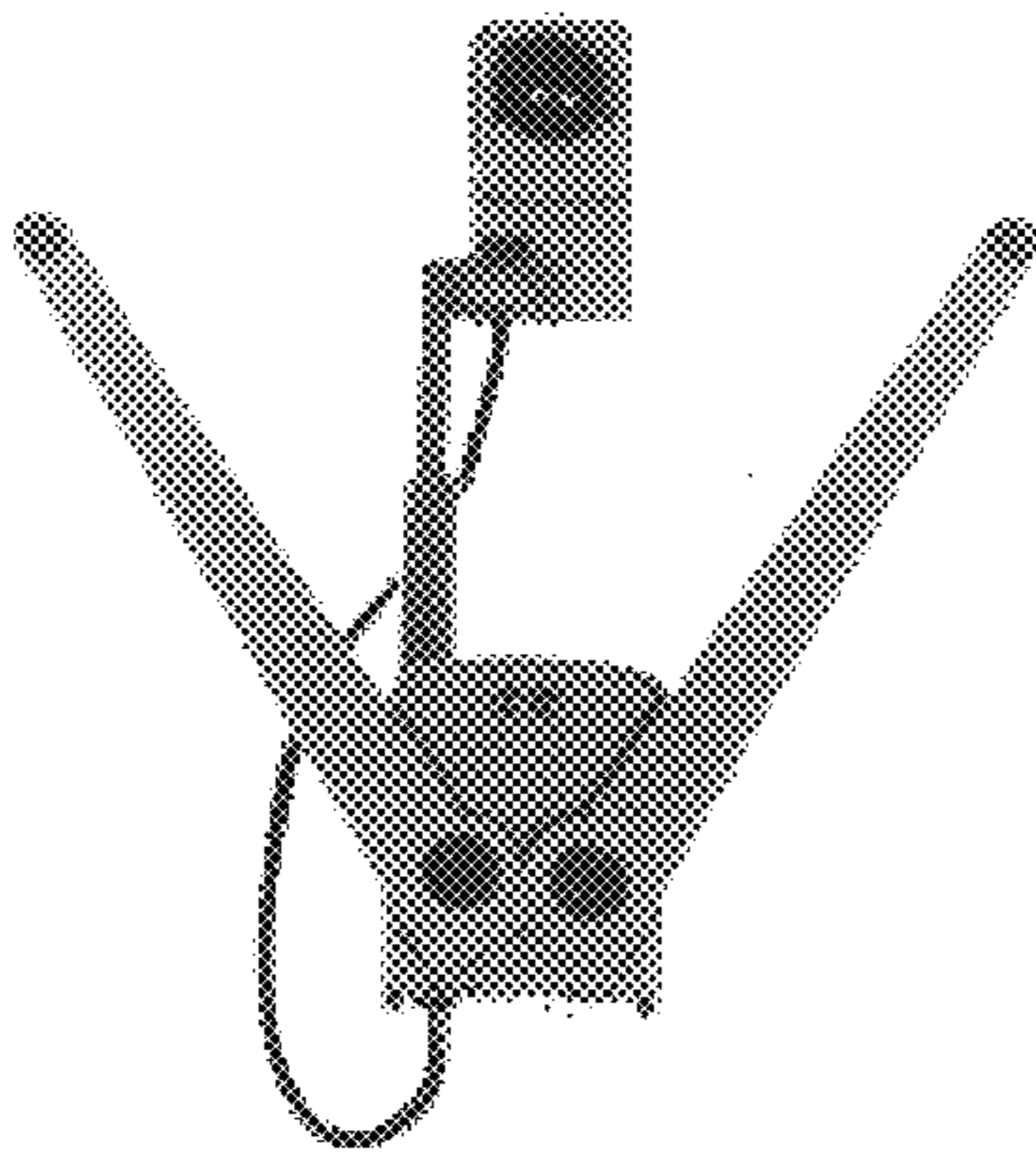
F i g . 2



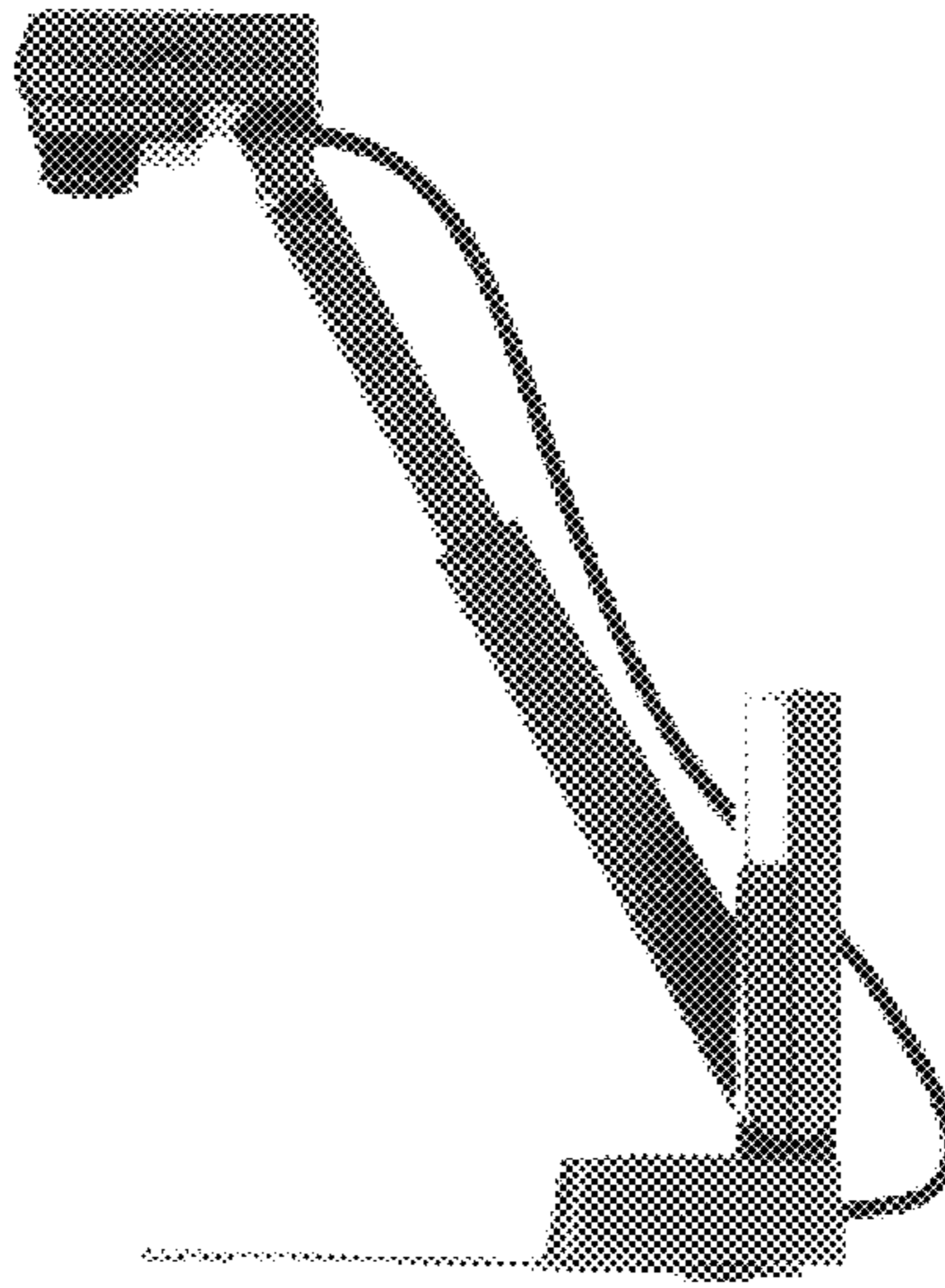
F i g . 3



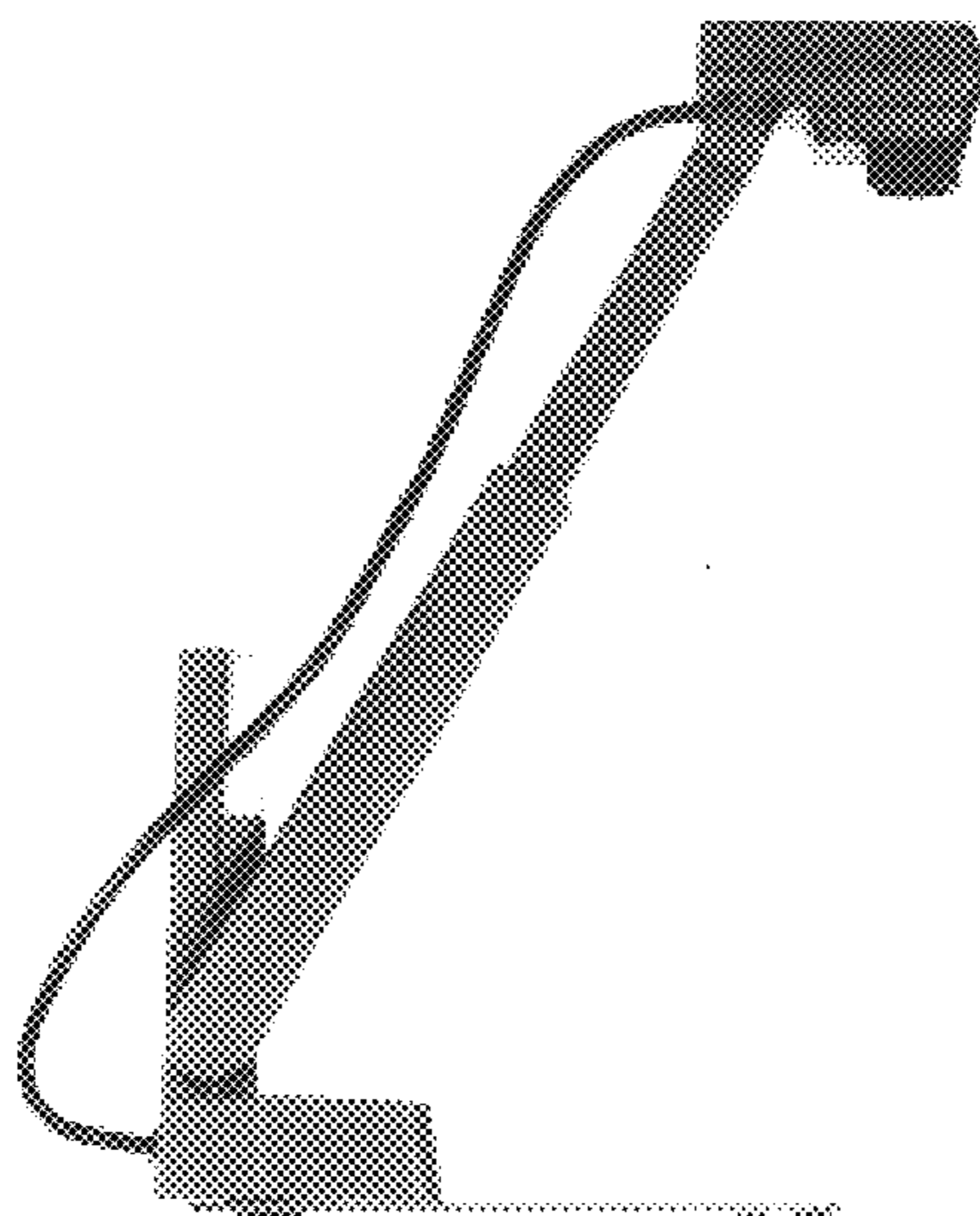
F i g . 4



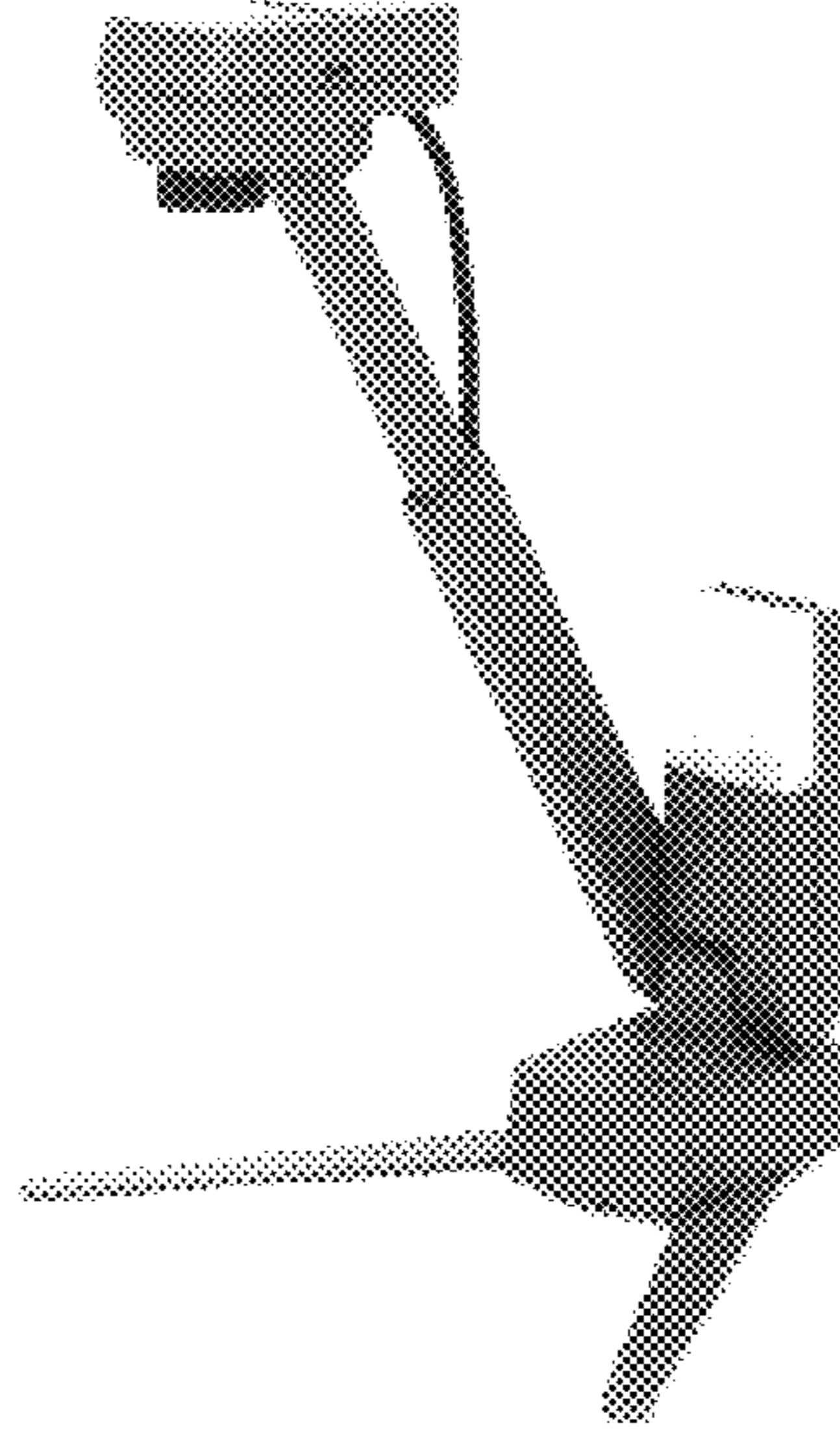
F i g . 5



F i g . 6



F i g . 7



F i g . 8

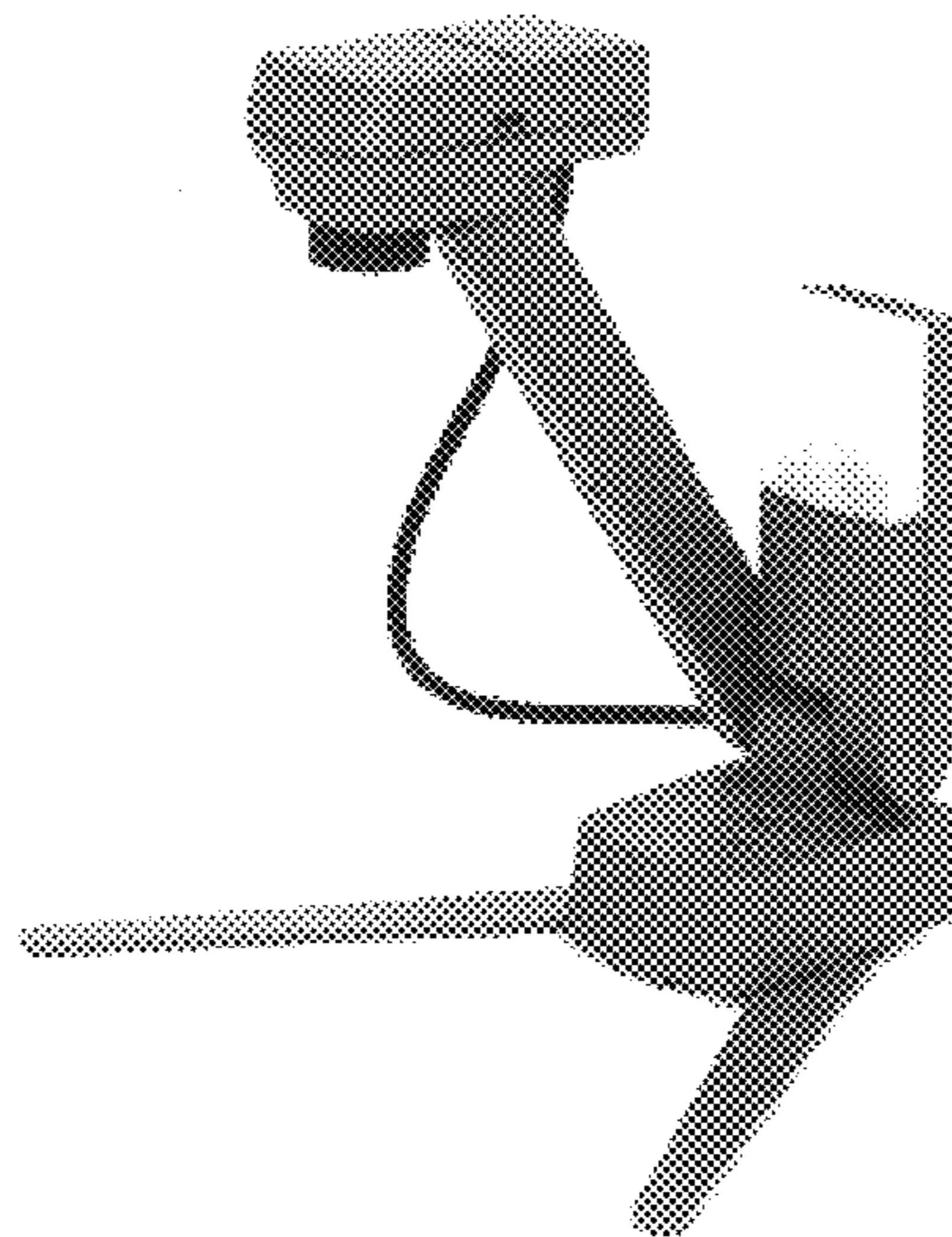


Fig. 9

