



US00D426238S

United States Patent [19] Liu

[11] **Patent Number: Des. 426,238**
[45] **Date of Patent: ** Jun. 6, 2000**

[54] **SCANNER FOR NAME CARD**

D. 368,255 3/1996 Sasaki et al. D14/420
D. 406,118 10/1994 Koivisto D14/385

[75] Inventor: **Jin-De Liu**, Taipei, Taiwan

Primary Examiner—Freda Nunn
Attorney, Agent, or Firm—Rosenberg, Klein & Lee

[73] Assignee: **Silitek Corporation**, Taipei, Taiwan

[**] Term: **14 Years**

[57] **CLAIM**

[21] Appl. No.: **29/109,439**

The ornamental design for a scanner for name card, as shown and described.

[22] Filed: **Aug. 17, 1999**

DESCRIPTION

[51] **LOC (7) Cl.** **14-02**

[52] **U.S. Cl.** **D14/385; D14/420**

[58] **Field of Search** D14/421, 422,
D14/383, 385, 387, 420; 235/382, 382.5;
355/64, 65, 75, 81; 74/471 XY

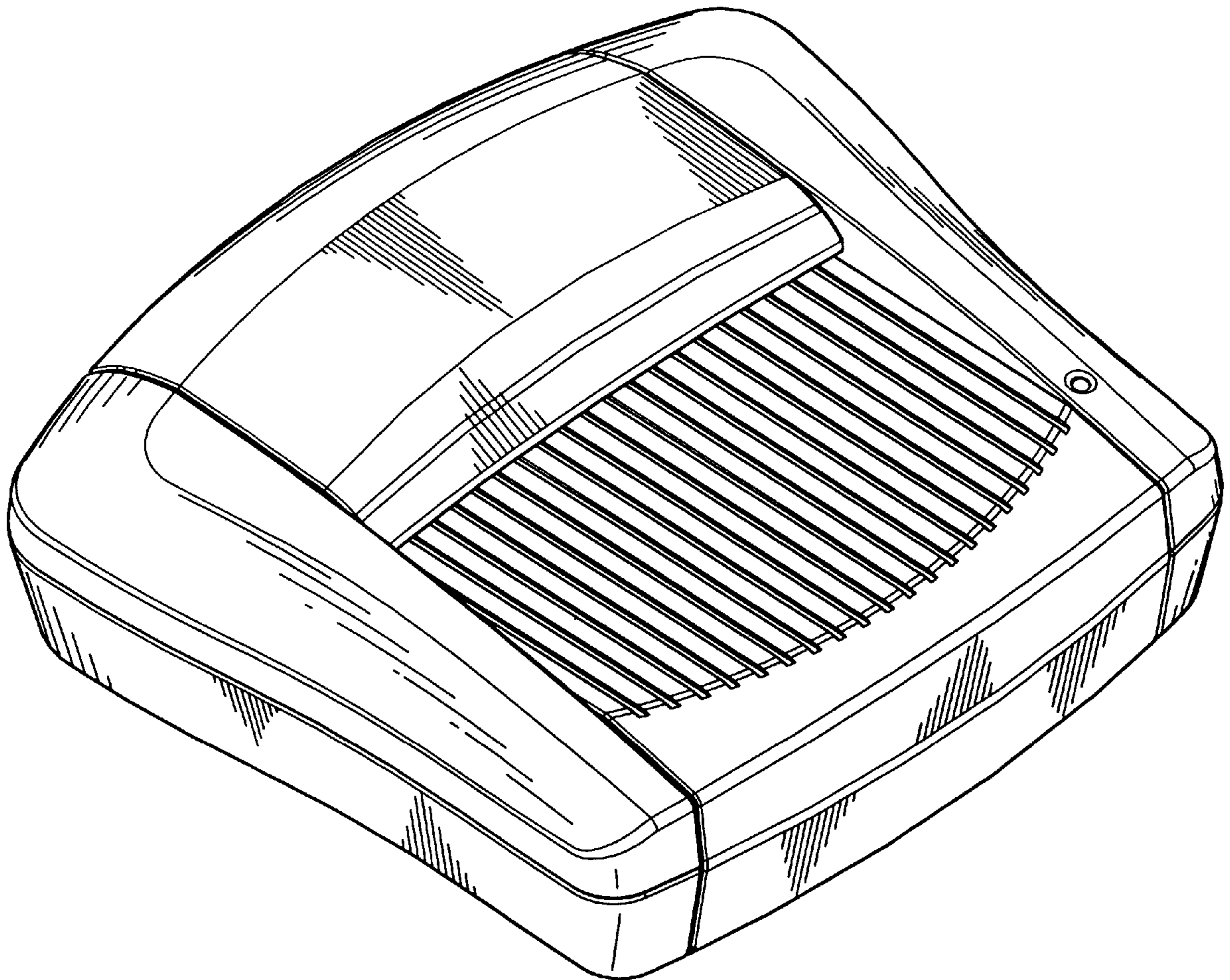
FIG. 1 is the perspective view of a scanner for name card showing my new design;
FIG. 2 is the front view thereof;
FIG. 3 is the rear view thereof;
FIG. 4 is the left side view thereof;
FIG. 5 is the right side view thereof;
FIG. 6 is the top view thereof; and,
FIG. 7 is the bottom view thereof.

[56] **References Cited**

U.S. PATENT DOCUMENTS

D. 351,152 10/1994 Liu D14/385

1 Claim, 7 Drawing Sheets



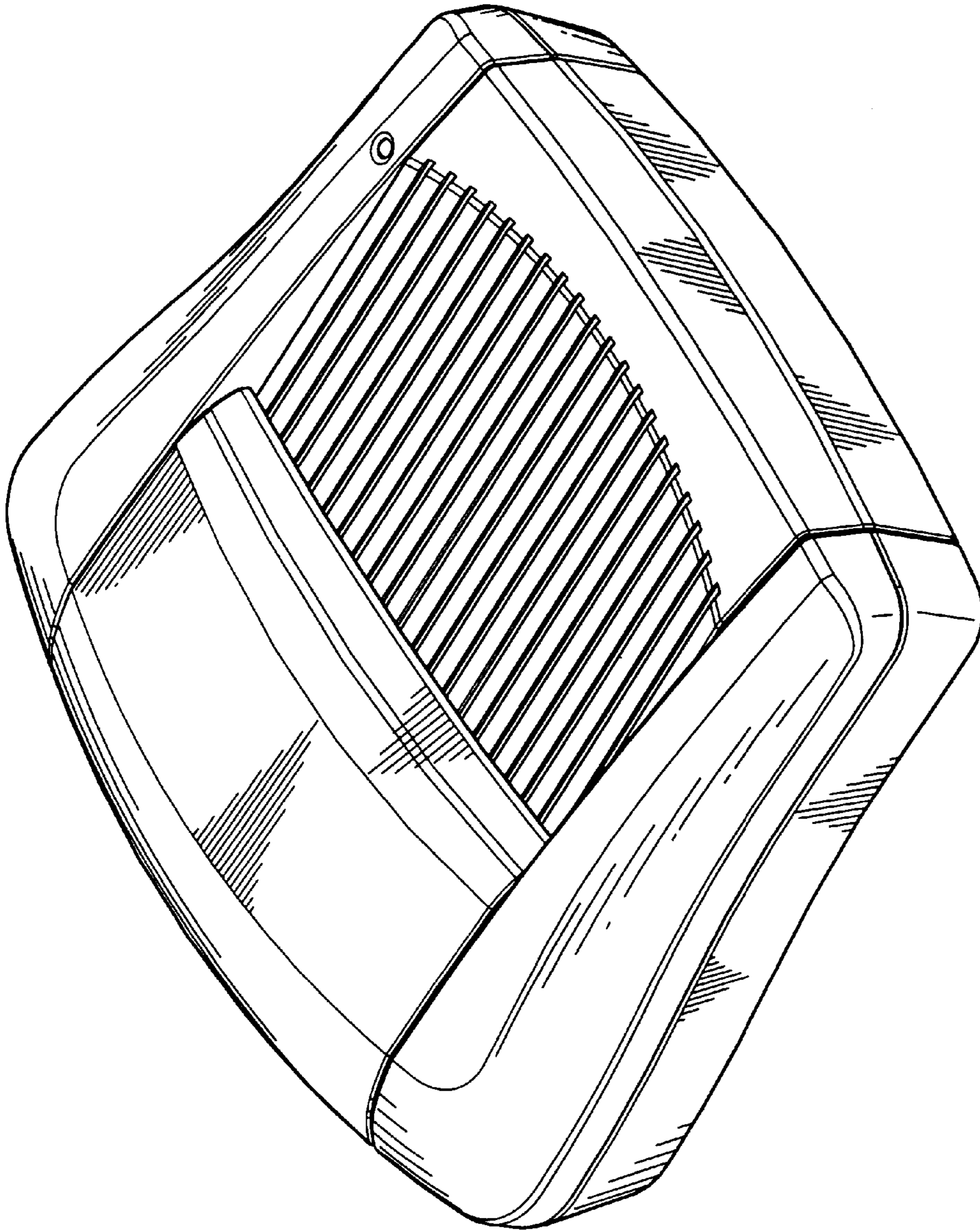


FIG. 1

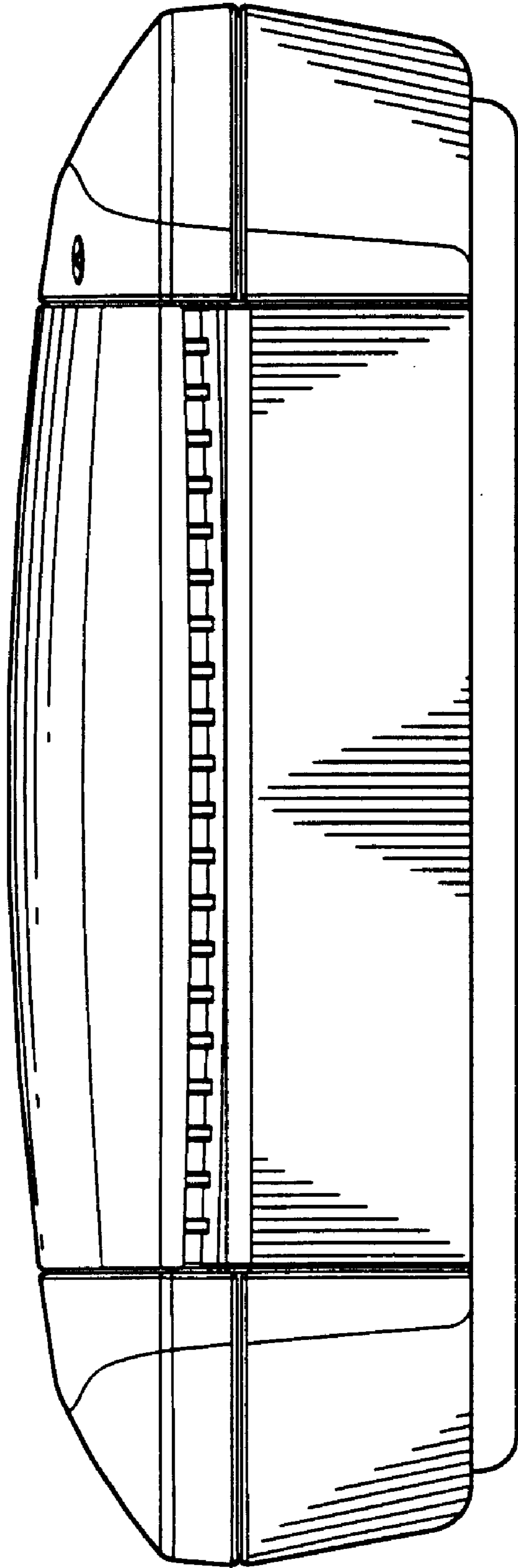


FIG. 2

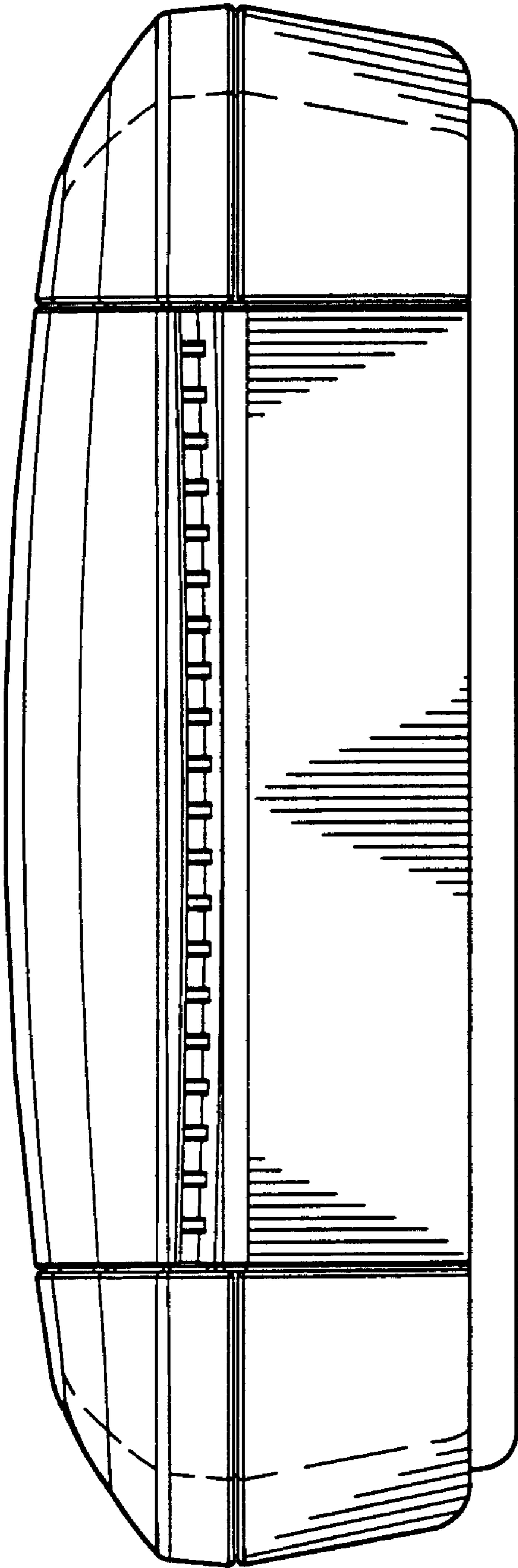


FIG. 3

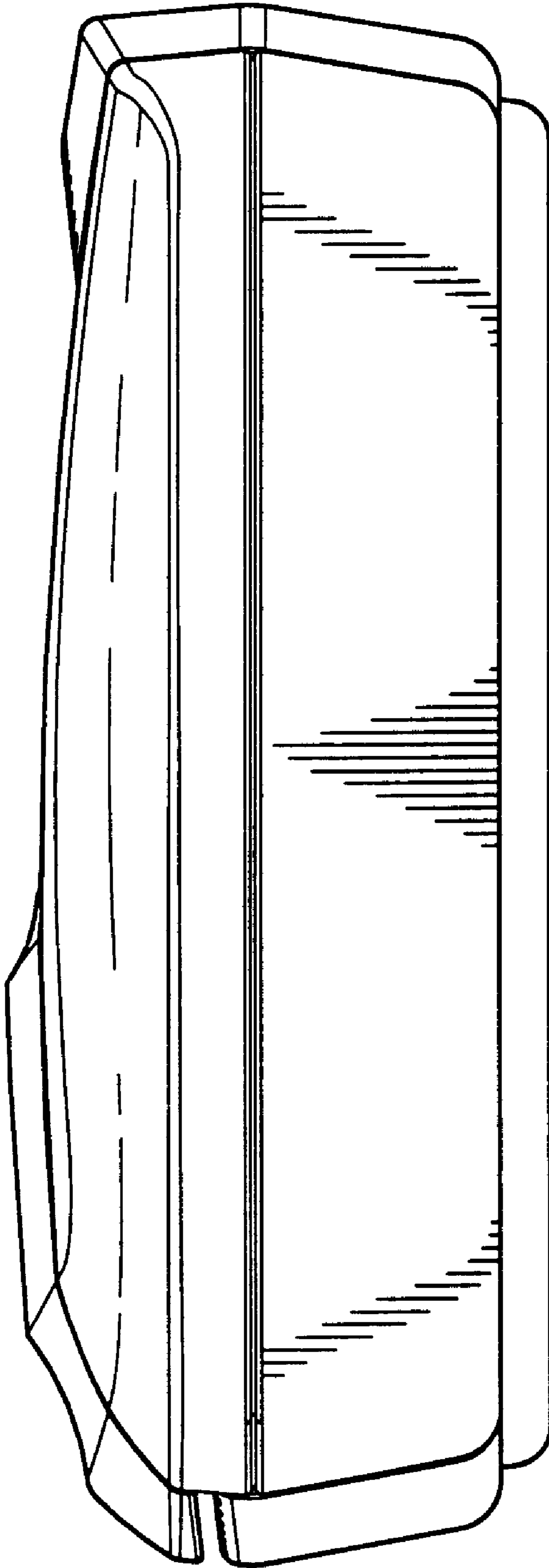


FIG. 4

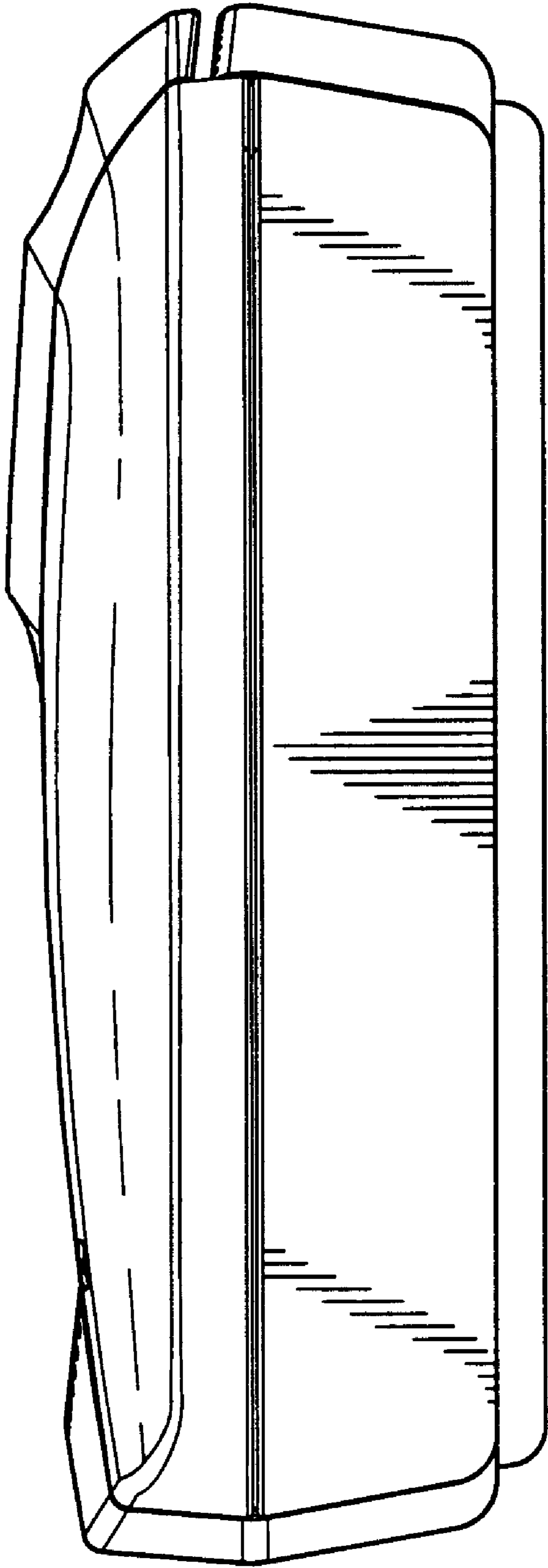


FIG. 5

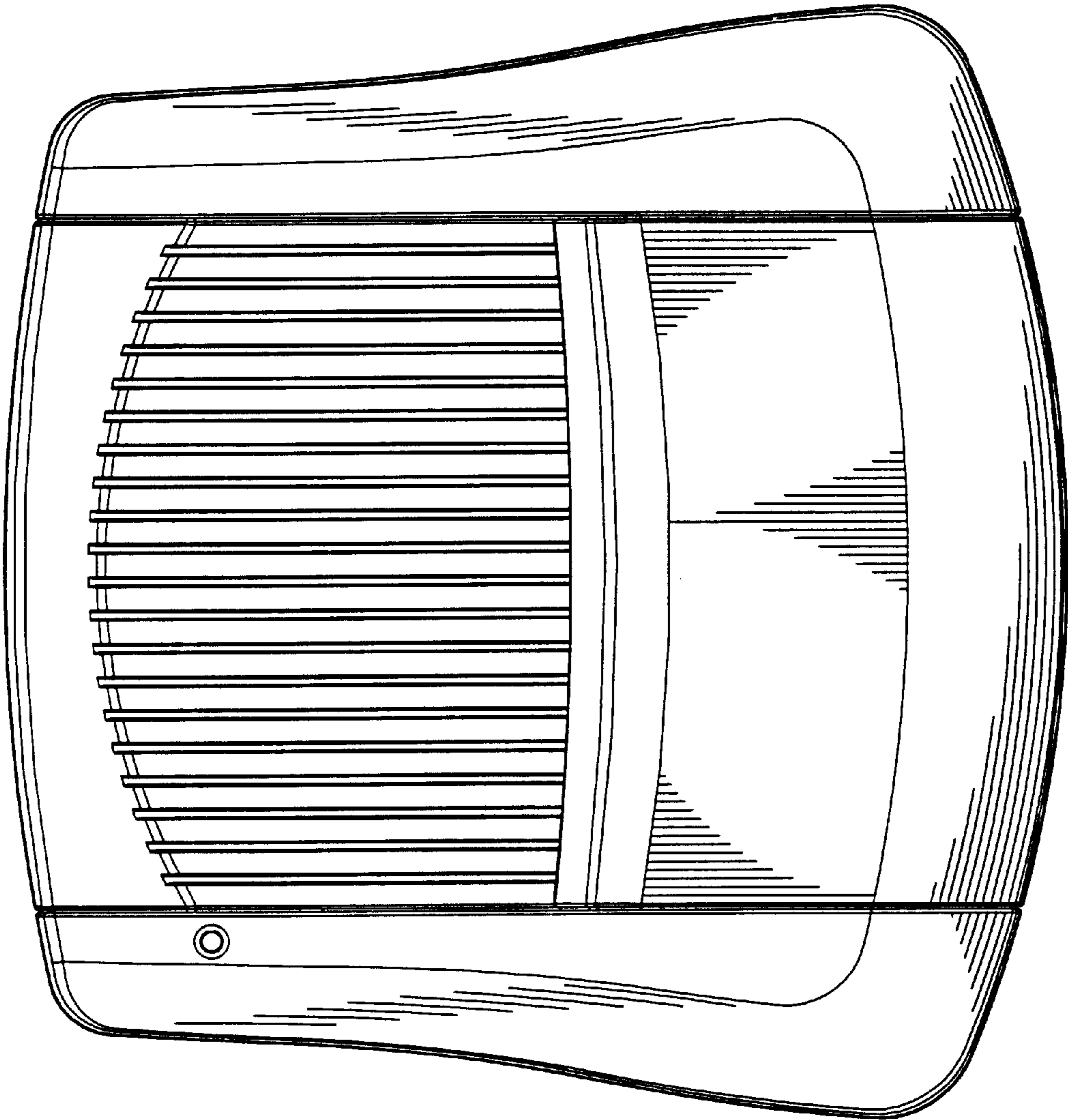


FIG.6

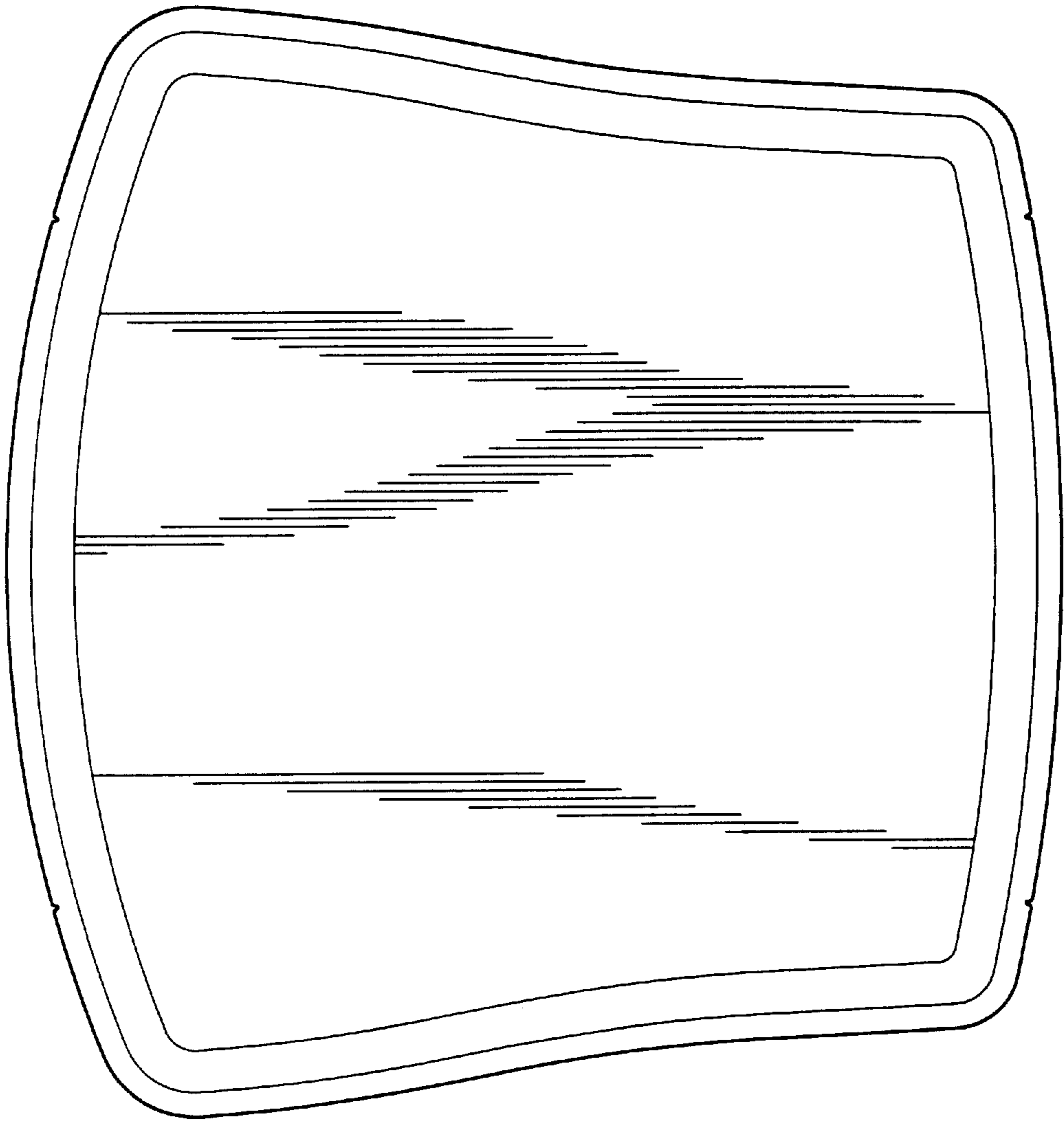


FIG. 7