



US00D426235S

United States Patent [19]
Phirippidis et al.

[11] **Patent Number: Des. 426,235**
[45] **Date of Patent: ** Jun. 6, 2000**

[54] **CELLULAR PHONE HOLDER FOR USE WITH LAPTOP COMPUTER**

[76] Inventors: **George A Phirippidis**, 5815 Commerce Dr., Fremont, Calif. 94555; **Nord C Andresen**, 27105 Dobbel Ave., Hayward, Calif. 94542

[**] Term: **14 Years**

[21] Appl. No.: **29/072,759**

[22] Filed: **Jun. 24, 1997**

[51] **LOC (7) Cl.** **14-03**

[52] **U.S. Cl.** **D14/253; D8/71; D14/114**

[58] **Field of Search** D14/114, 140, D14/142, 240, 251-253; 379/419, 420, 428, 440, 446, 454, 455; 455/90; D8/373, 71, 394, 72-74; 248/146, 122.1, 172, 298.1, 201, 176.3, 689, 670; D6/509-511

[56] **References Cited**

U.S. PATENT DOCUMENTS

D. 302,101 7/1989 Livick D8/71

D. 349,107 7/1994 Rude et al. D14/114
D. 382,156 8/1997 Huang D6/511
D. 391,928 3/1998 Kondo et al. D14/114 X
3,946,977 3/1976 Kuhfus 379/454 X
4,911,389 3/1990 Self 248/172 X
5,222,132 6/1993 Rioux, Jr. 379/455
5,409,296 4/1995 Barile 248/172
5,441,220 8/1995 Carlson 248/146
5,625,673 4/1997 Grewe et al. 455/90 X

Primary Examiner—Jeffrey Asch
Attorney, Agent, or Firm—George A. Phirippidis; Nord C. Andresen

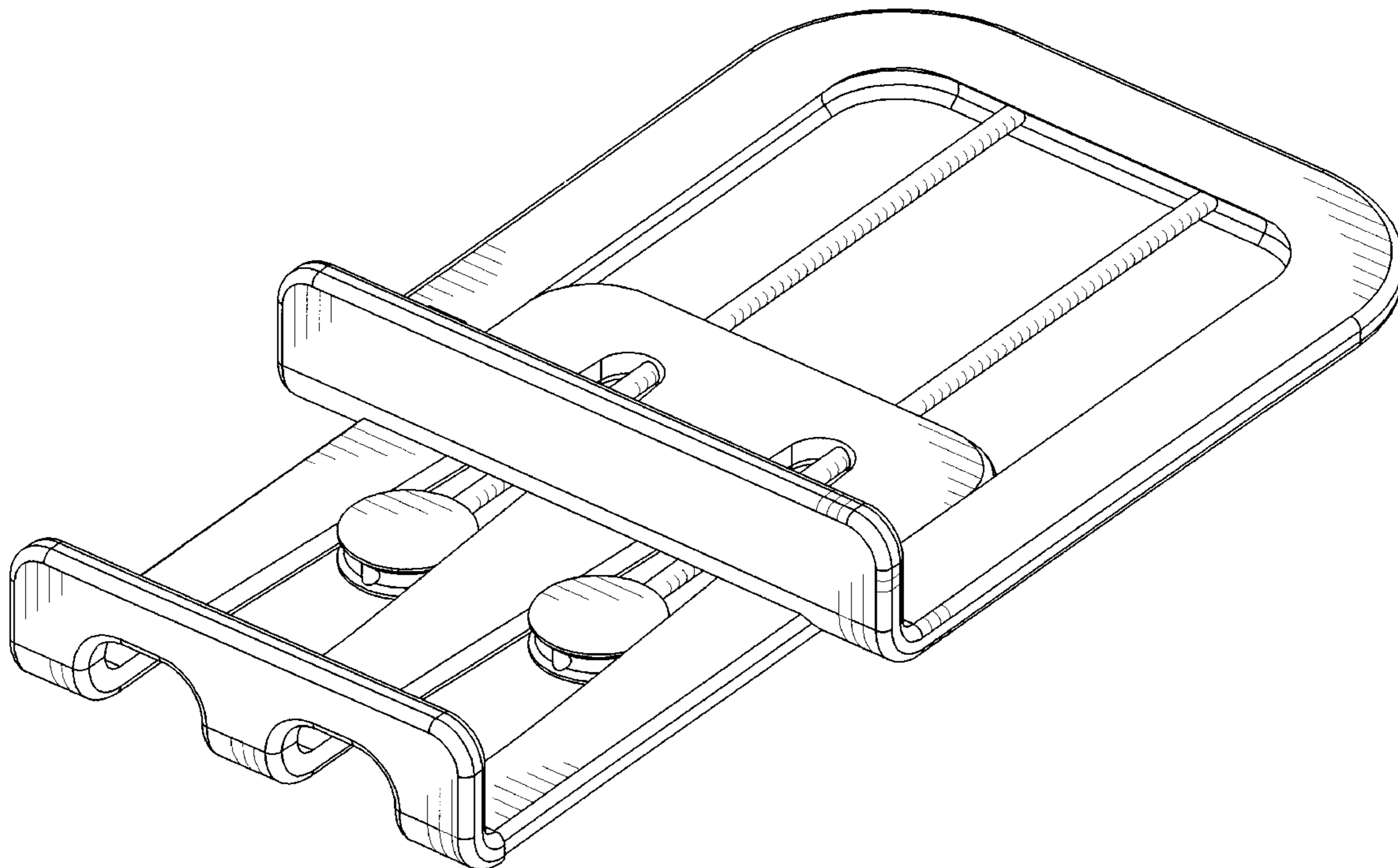
[57] **CLAIM**

The ornamental design for a cellular phone holder for use with laptop computer, as shown.

DESCRIPTION

FIG. 1 is a front, top, and right side isometric view of a cellular phone holder for use with a laptop computer showing our new design; FIG. 2 is a rear, bottom, and left side view; and, FIG. 3 is a rear, top, and left side view thereof.

1 Claim, 3 Drawing Sheets



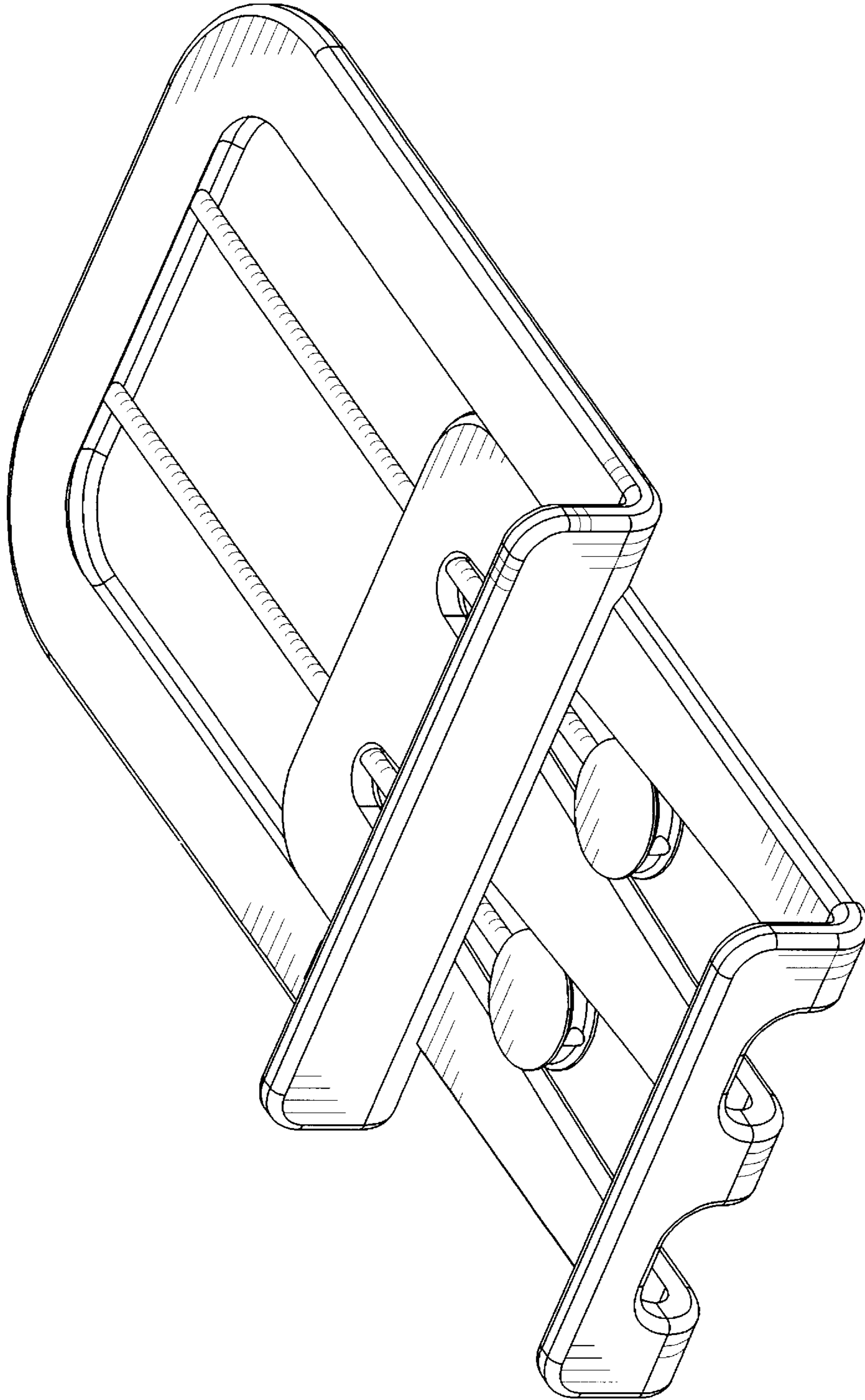


FIG. 1

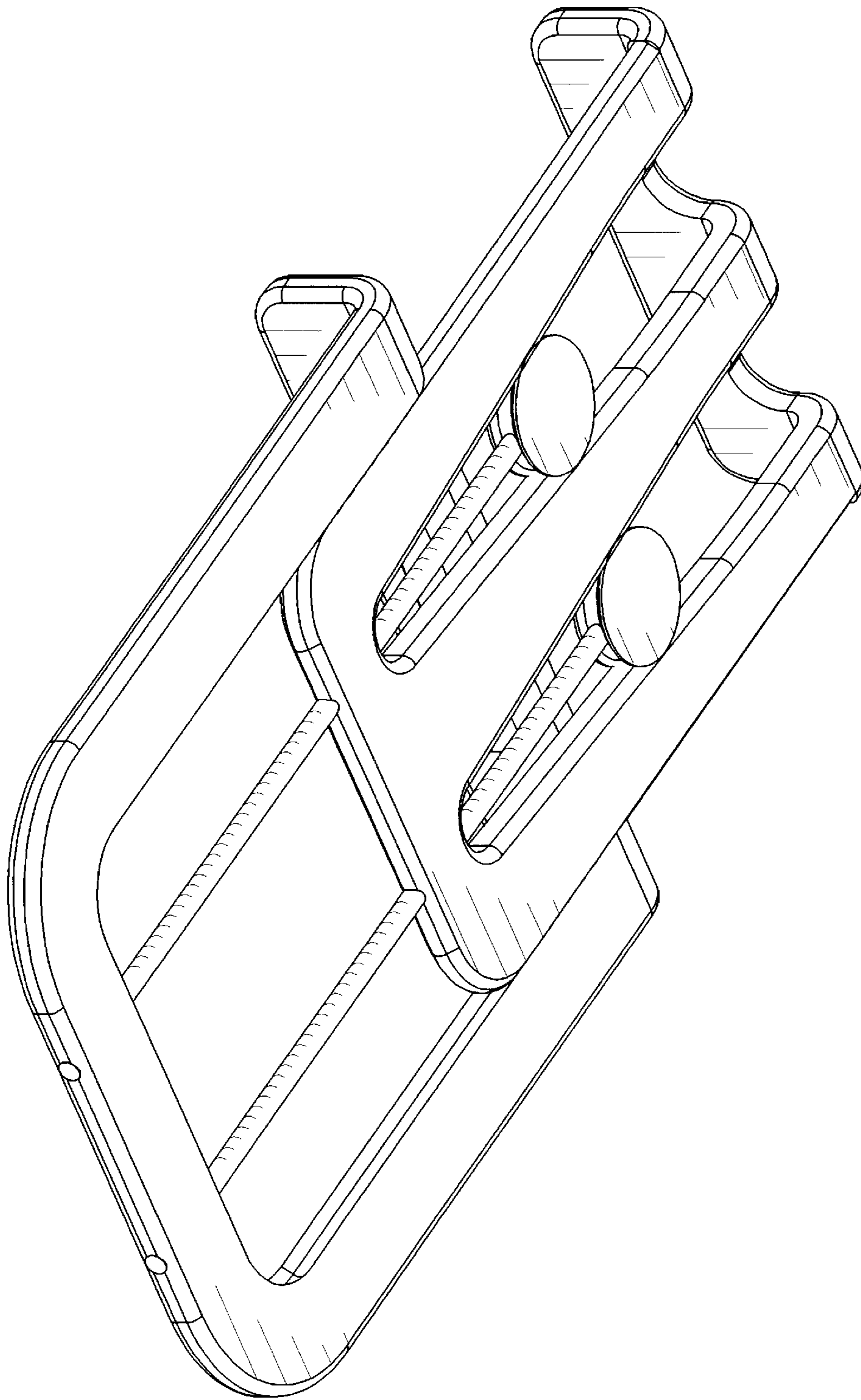


FIG. 2

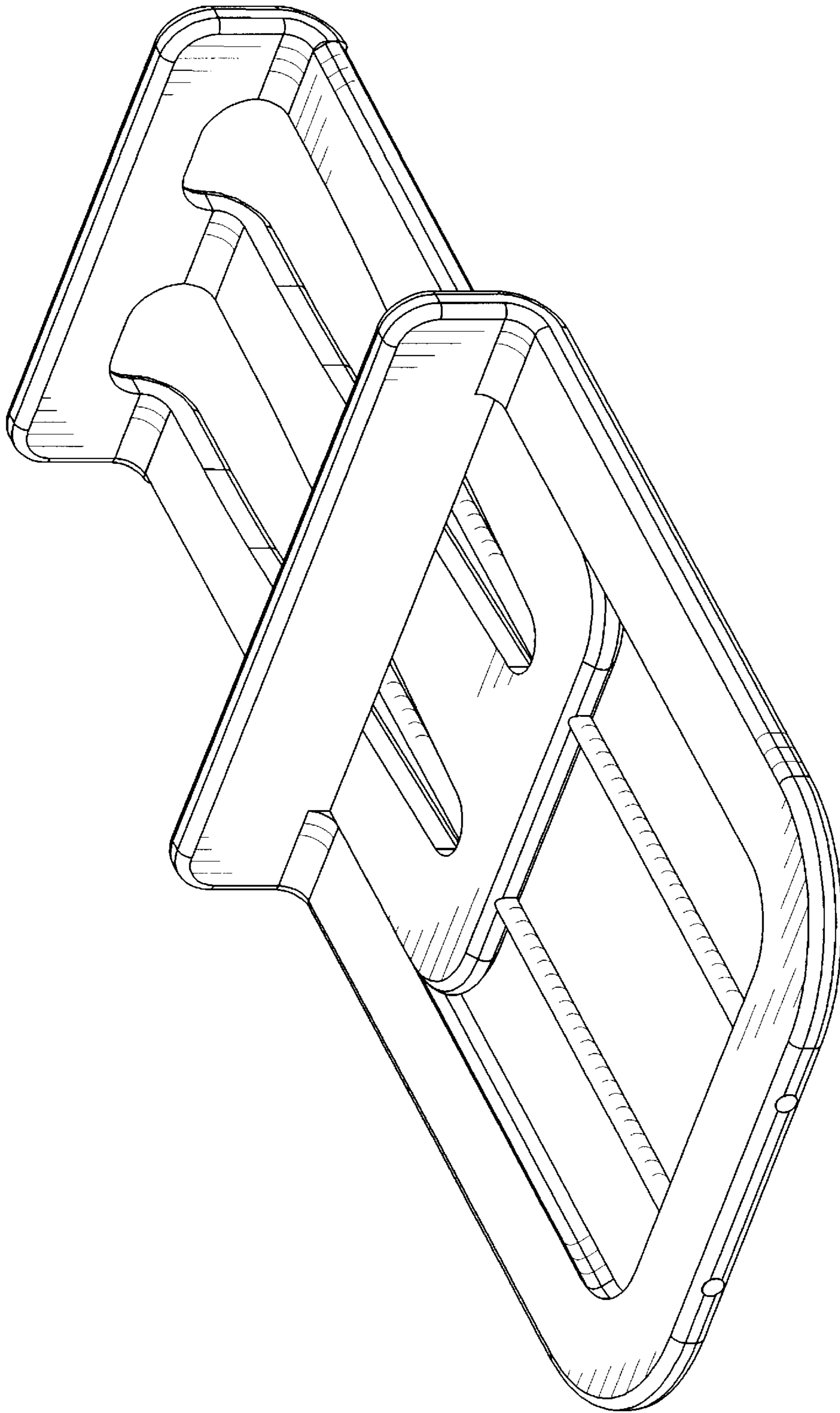


FIG. 3