



US00D426233S

United States Patent [19] Chrisey et al.

[11] **Patent Number: Des. 426,233**
[45] **Date of Patent: ** Jun. 6, 2000**

[54] **ANTENNA**
[75] Inventors: **Josh Chrisey**, Garner; **Richard Derrenbacher**, Wake Forest, both of N.C.
[73] Assignee: **Channel Master LLC**, Smithfield, N.C.
[**] Term: **14 Years**
[21] Appl. No.: **29/110,735**
[22] Filed: **Sep. 10, 1999**
[51] **LOC (7) Cl.** **14-03**
[52] **U.S. Cl.** **D14/230**; 343/795
[58] **Field of Search** D14/230-238;
343/702, 901, 720, 713, 714, 795, 765,
840, 872, 878, 879; 455/90, 347, 128, 562

3,860,932 1/1975 Hochbrueckner 343/713
4,293,861 10/1981 Winegard et al. 343/766
4,392,139 7/1983 Aoyama et al. 343/705
4,868,577 9/1989 Wingard 343/713
5,262,793 11/1993 Sperry 343/713

OTHER PUBLICATIONS

Advertisement for Television Antenna (undated).
DIY Accessories Brochure, Printed in USA Dec. 1997
(15842A) Rev. B.

Primary Examiner—Louis S. Zarfes
Assistant Examiner—G. Andoll
Attorney, Agent, or Firm—Darby & Darby

[57] CLAIM

The ornamental design for an antenna, as shown and described.

DESCRIPTION

FIG. 1 is a side perspective view of an antenna according to our new design;
FIG. 2 is a front elevational view thereof;
FIG. 3 is a rear elevational view thereof;
FIG. 4 is a side elevational view thereof;
FIG. 5 is a top plan view thereof; and,
FIG. 6 is a bottom plan view thereof.
The surfaces of the article not shown in the drawing or described in the specification form no part of the claimed design.
The broken lines in the Figures are for illustrative purposes only and form no part of the claimed design.

[56] **References Cited**
U.S. PATENT DOCUMENTS
D. 209,750 1/1968 Bogner D26/14
D. 214,276 5/1969 Rogers D26/14
D. 221,766 9/1971 Rogers D26/14
D. 222,145 10/1971 Winegard D14/230
D. 244,040 4/1977 Pizon D14/230
D. 245,778 9/1977 Langner D14/86
D. 249,884 10/1978 Greenberg D14/86
D. 303,262 9/1989 Sallus D14/230
D. 345,165 3/1994 Cota et al. D14/230
D. 362,254 9/1995 Lin D14/232
D. 364,874 12/1995 Cheng D14/235
D. 367,063 2/1996 Fillion-Robin D14/235
D. 403,682 1/1999 Brehmer et al. D14/230

1 Claim, 5 Drawing Sheets

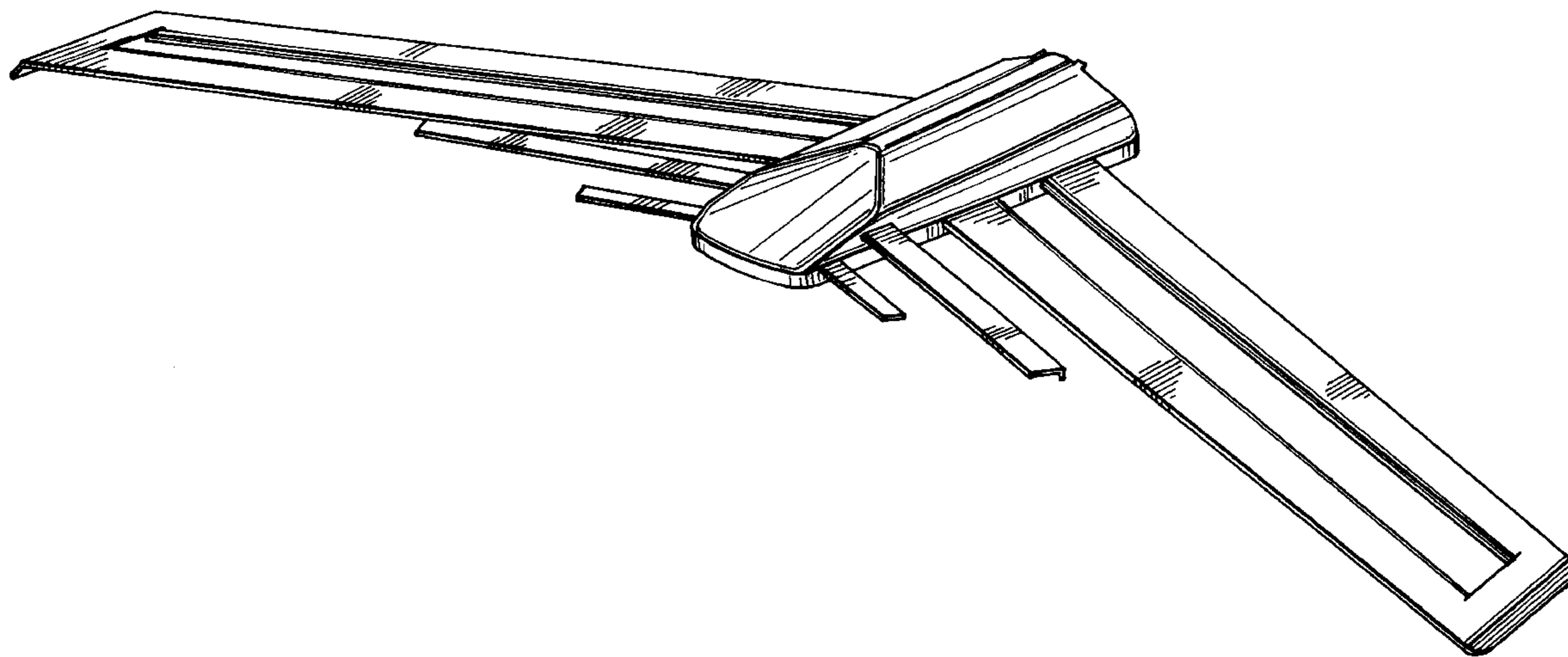


FIG. 1

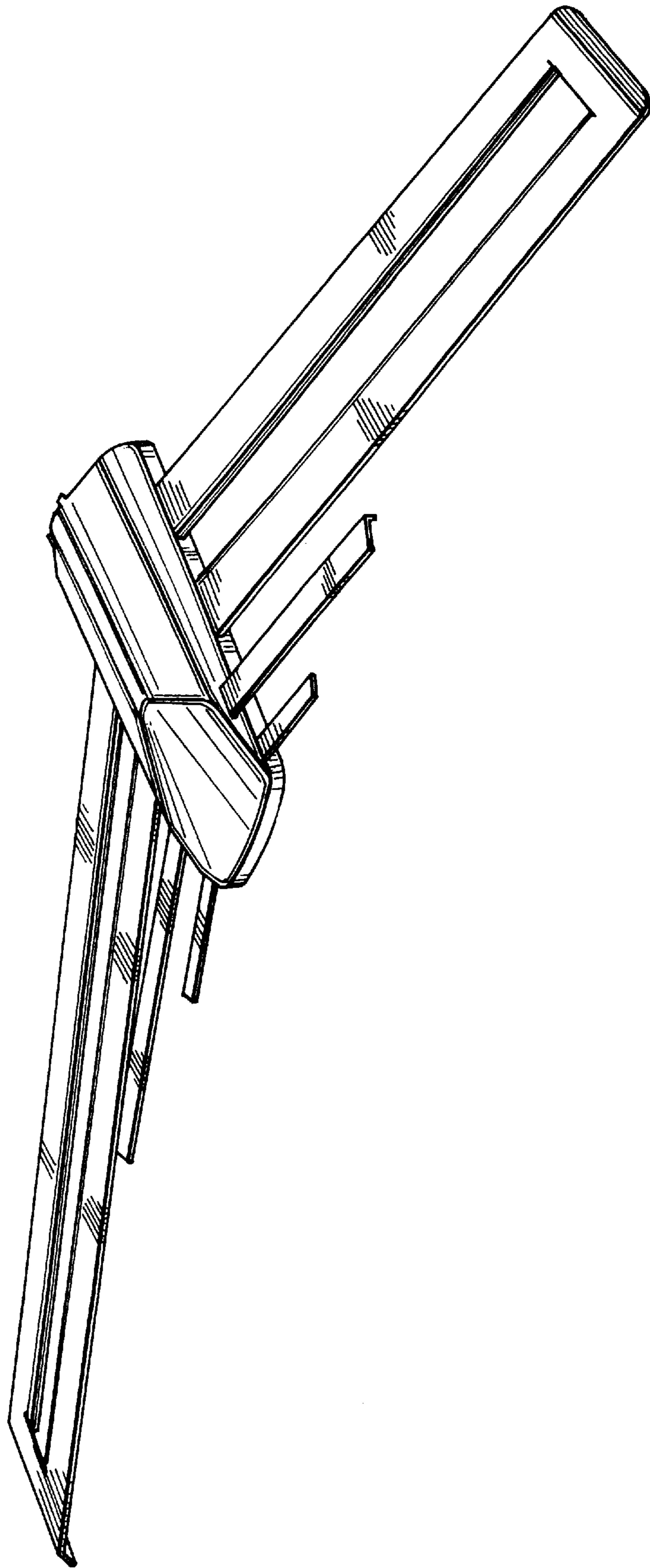


FIG. 2

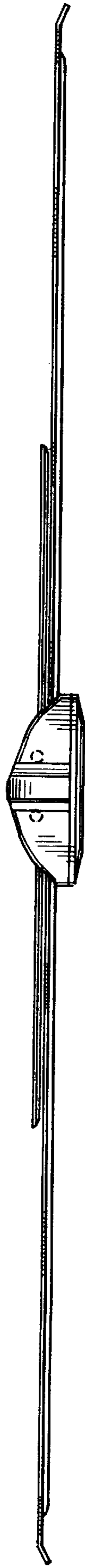


FIG. 3



FIG. 4

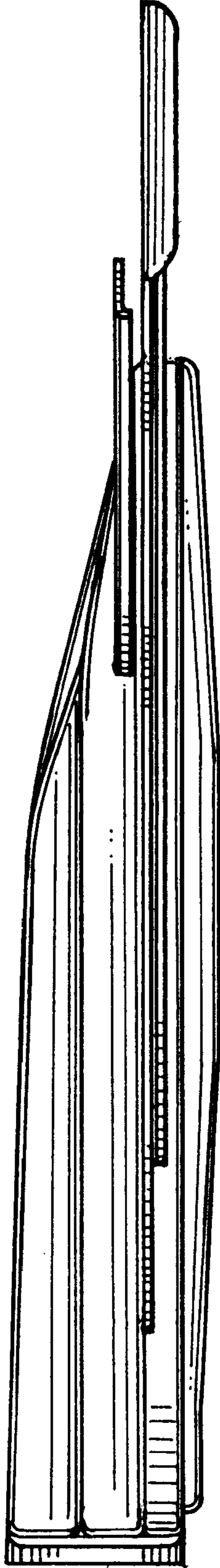


FIG. 5

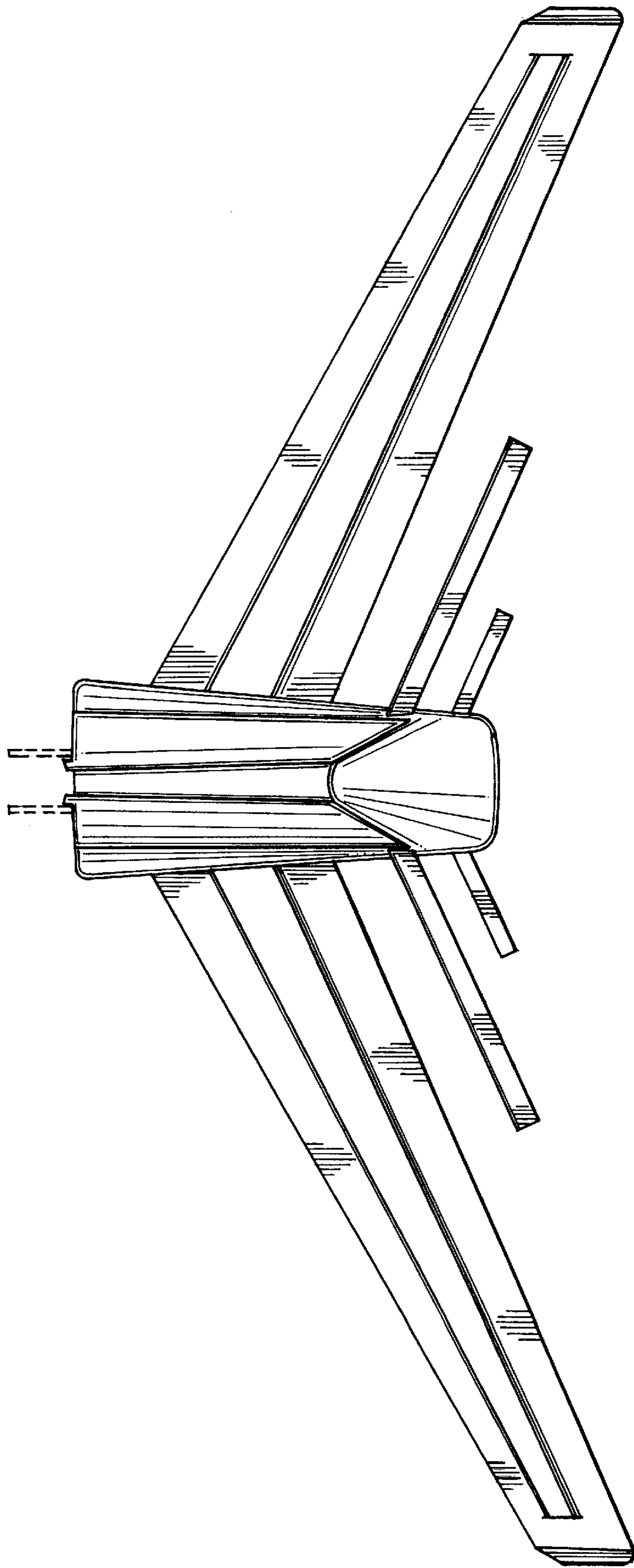


FIG. 6

