



US00D426230S

United States Patent [19]

[11] Patent Number: **Des. 426,230**

De Iuliis et al.

[45] Date of Patent: **** Jun. 6, 2000**

[54] **SPEAKER ENCLOSURE**

D. 222,072	9/1971	Levitt	D14/211
D. 288,560	3/1987	Anderson	D14/212
D. 349,704	8/1994	Tsing	D14/216
4,823,907	4/1989	Hoshi	181/144

[75] Inventors: **Daniele De Iuliis**, San Francisco;
Douglas L. Heirich, Palo Alto;
Jonathan P. Ive; **Matthew Dean Rohrbach**, both of San Francisco, all of Calif.

Primary Examiner—Nanda Bondade
Attorney, Agent, or Firm—Nancy R. Simon

[73] Assignee: **Apple Computer, Inc.**, Cupertino, Calif.

[57] **CLAIM**

The ornamental design for a speaker enclosure, as shown.

[**] Term: **14 Years**

DESCRIPTION

[21] Appl. No.: **29/113,188**

FIG. 1 is a front, top, right side perspective view of a speaker enclosure, showing our new design;

[22] Filed: **Oct. 28, 1999**

FIG. 2 is a front view thereof;

[51] **LOC (7) Cl.** **14-01**

FIG. 3 is a rear view thereof;

[52] **U.S. Cl.** **D14/216**

FIG. 4 is a right view thereof;

[58] **Field of Search** D14/204, 207,
D14/209–216; 181/144–148, 150, 153,
157, 198–199; 381/300–302, 307, 333–336,
359, 361–364

FIG. 5 is a left view thereof;

FIG. 6 is a top view thereof; and,

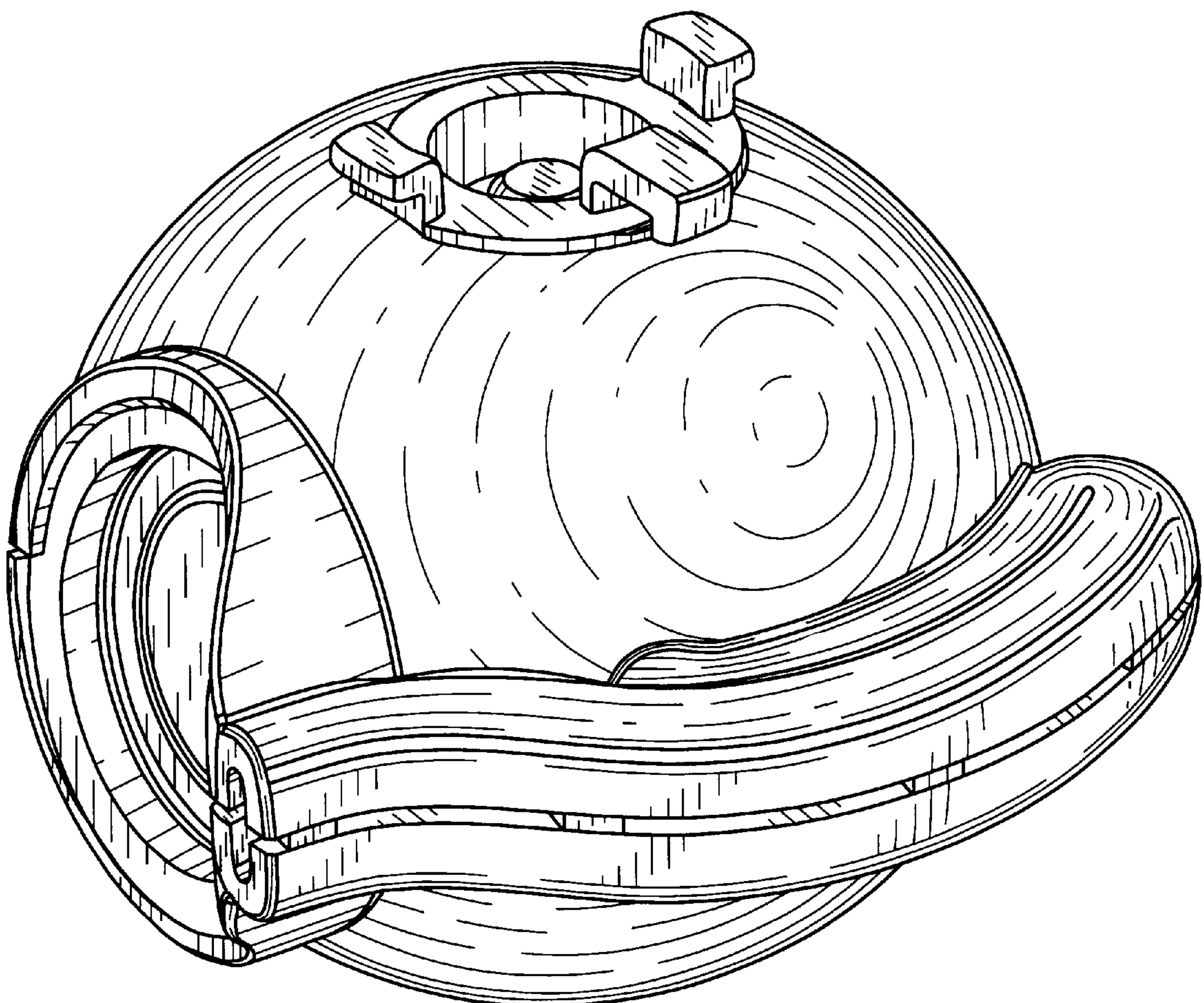
FIG. 7 is a bottom view thereof.

[56] **References Cited**

U.S. PATENT DOCUMENTS

D. 186,892 12/1959 Wilber D14/211

1 Claim, 7 Drawing Sheets



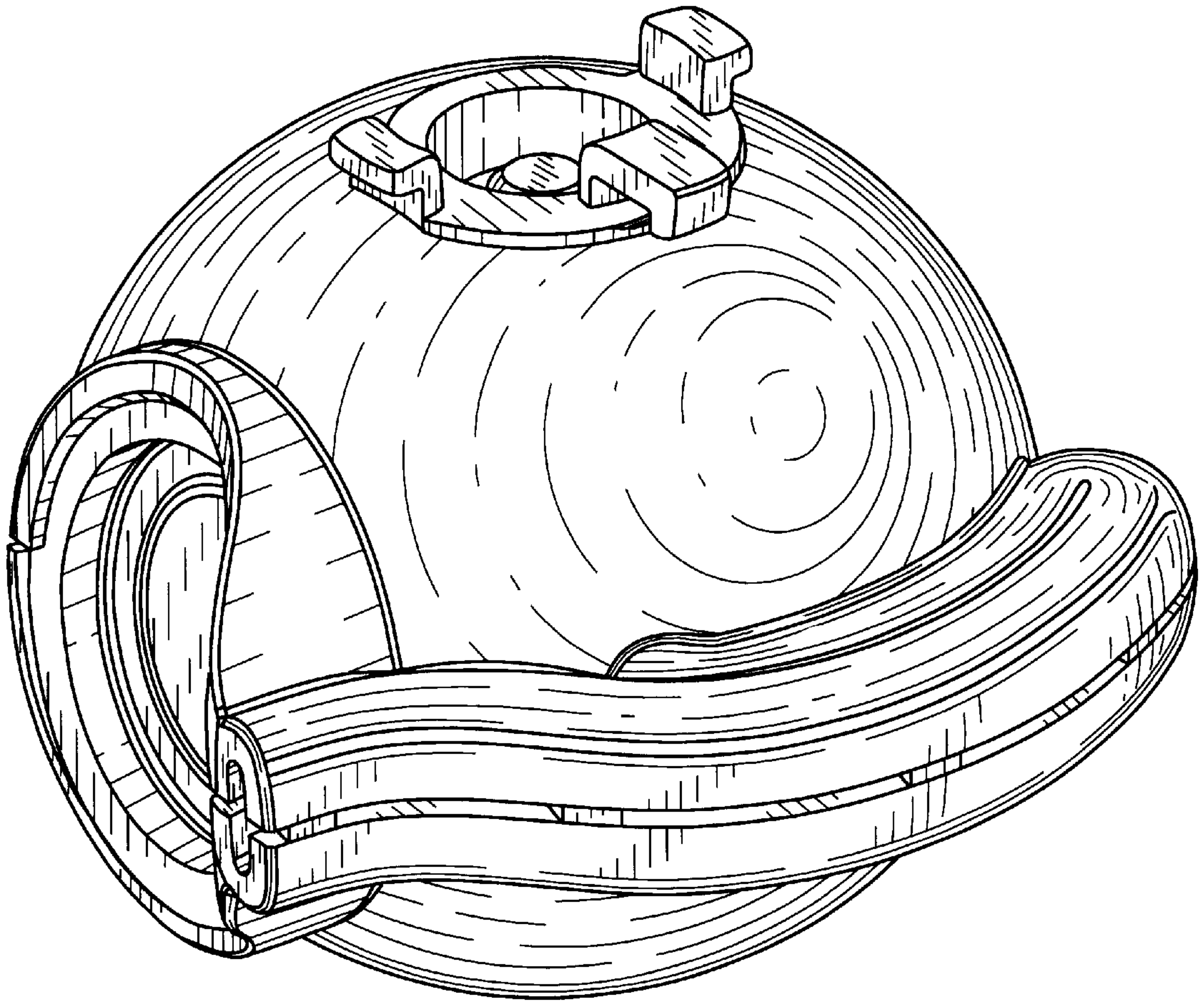


FIG. 1

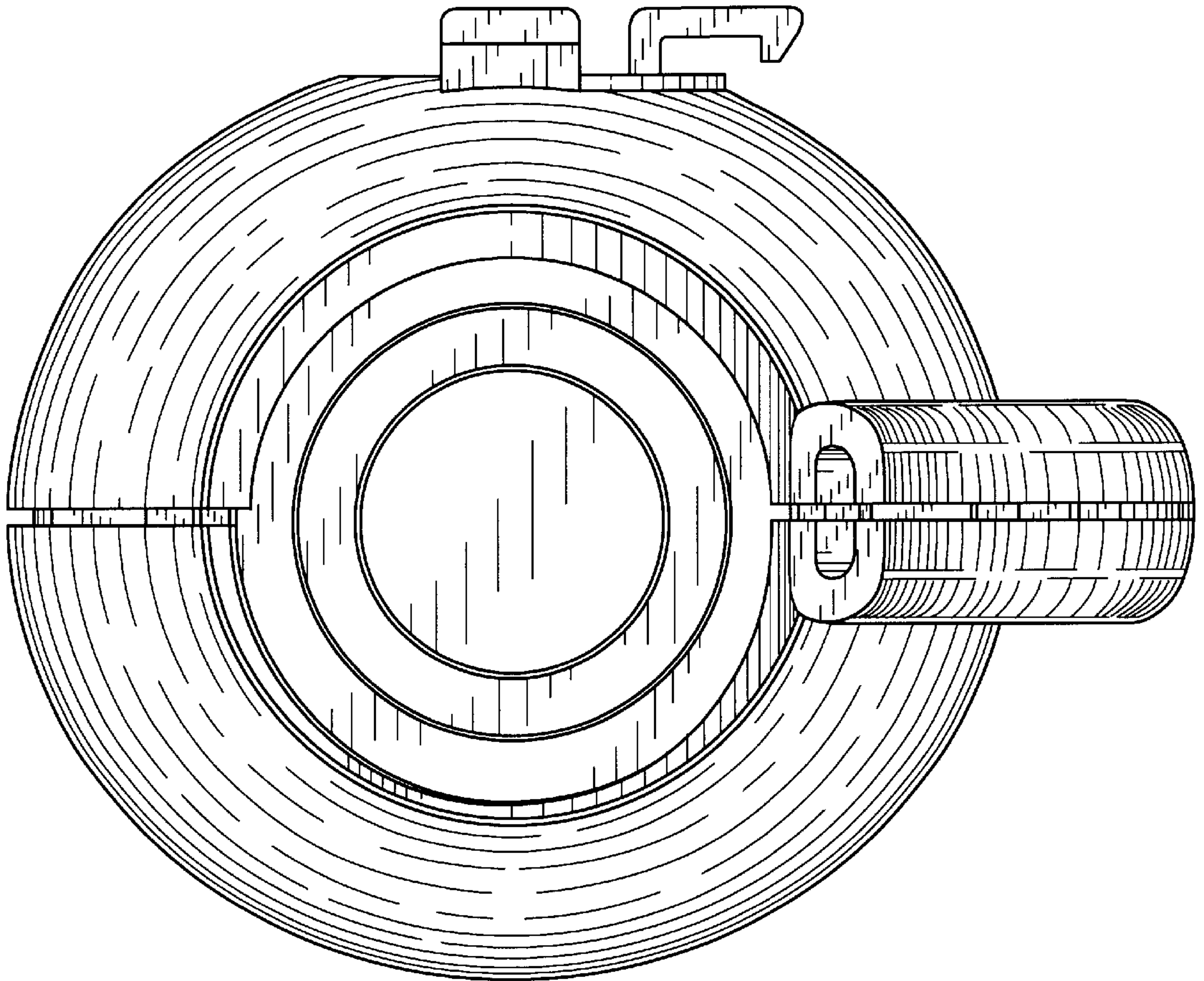


FIG. 2

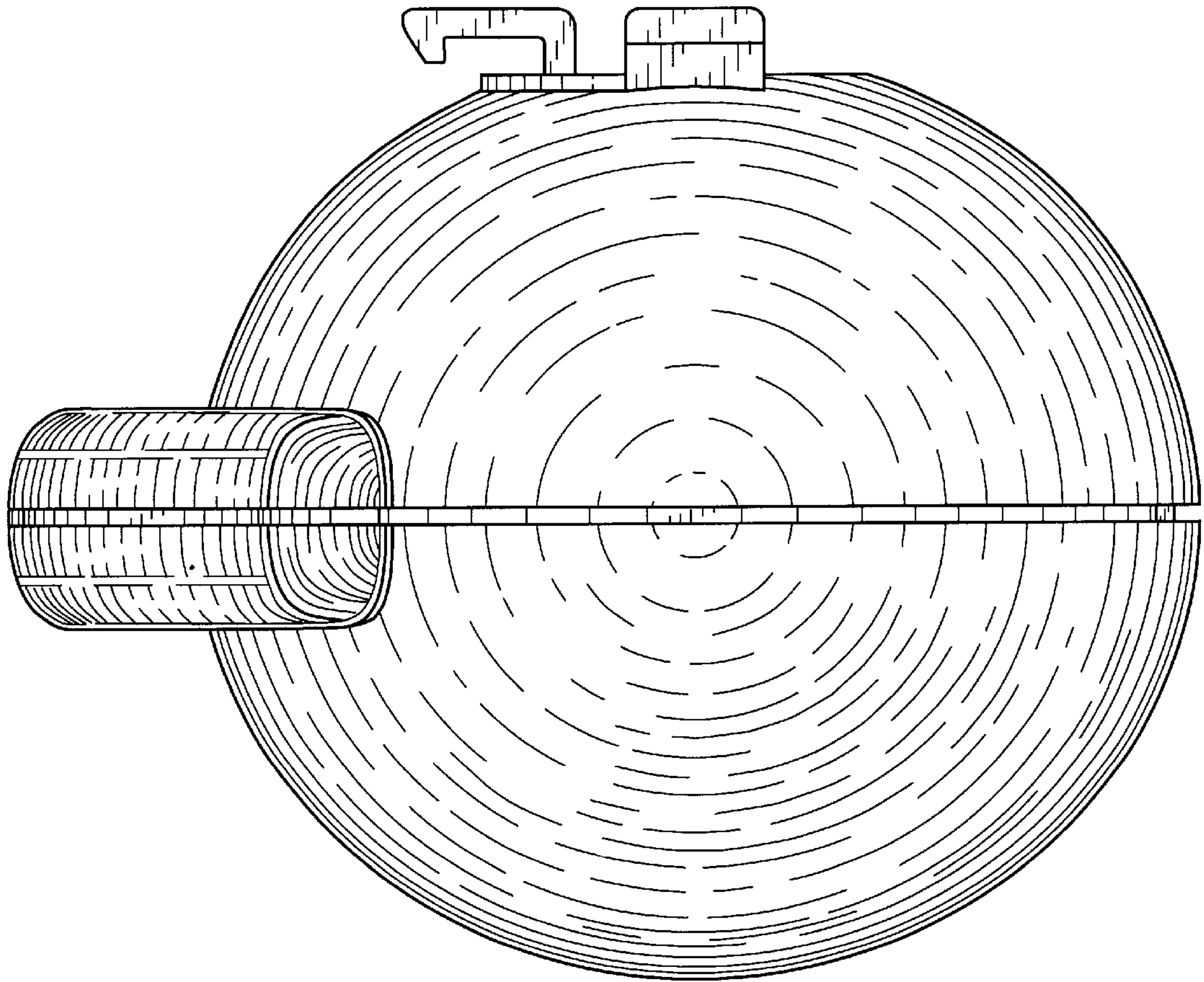


FIG. 3

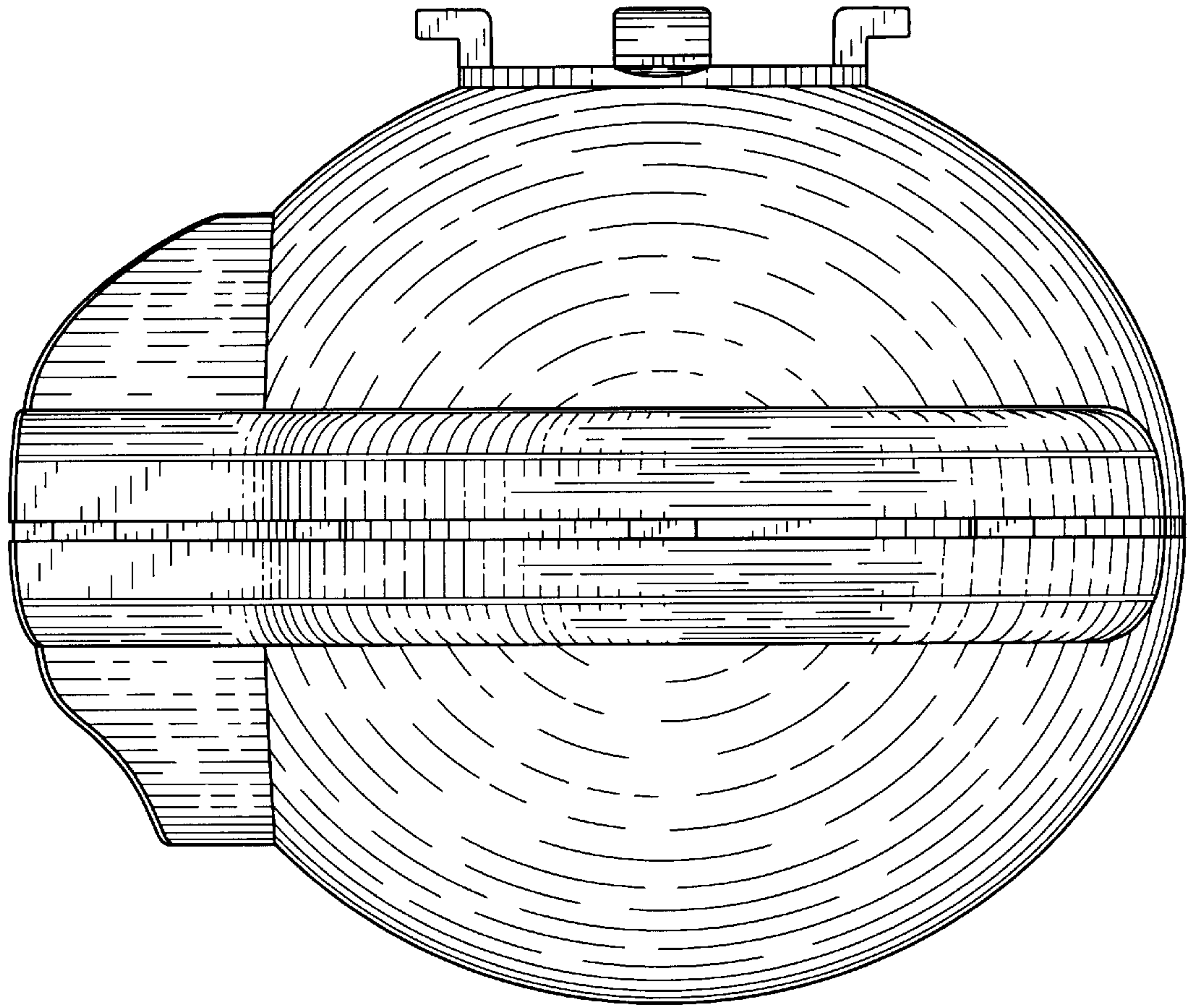


FIG. 4

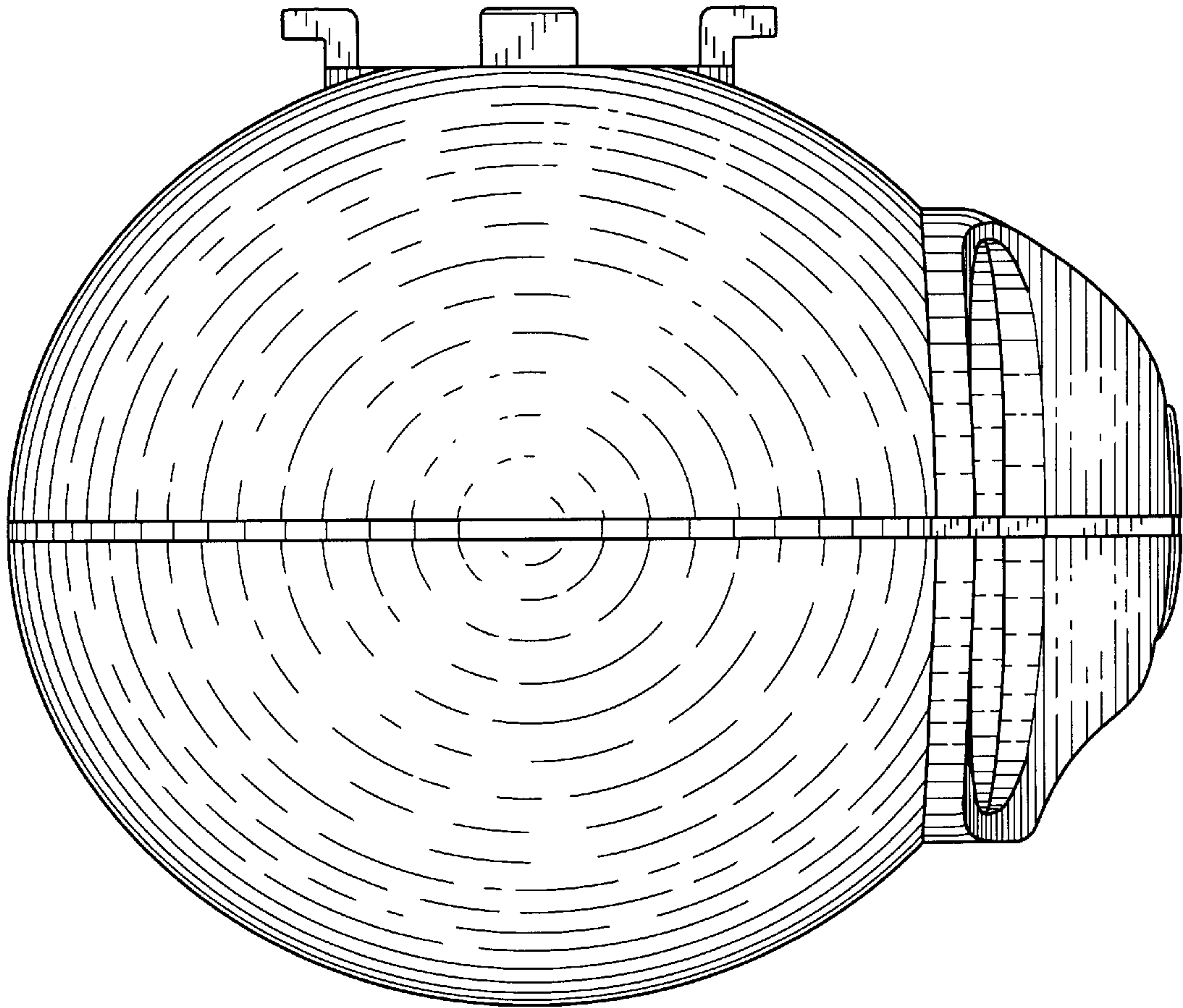


FIG. 5

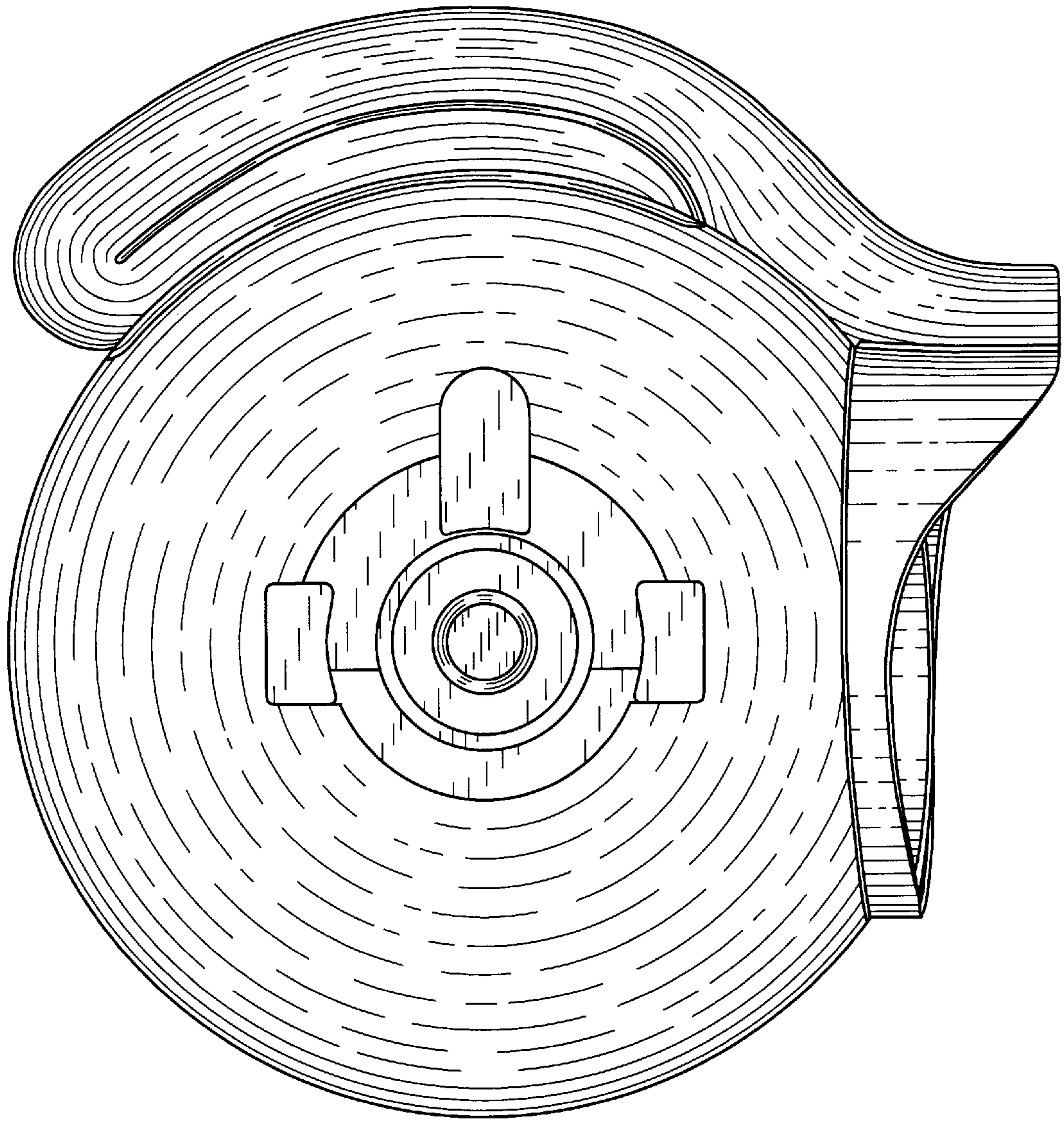


FIG. 6

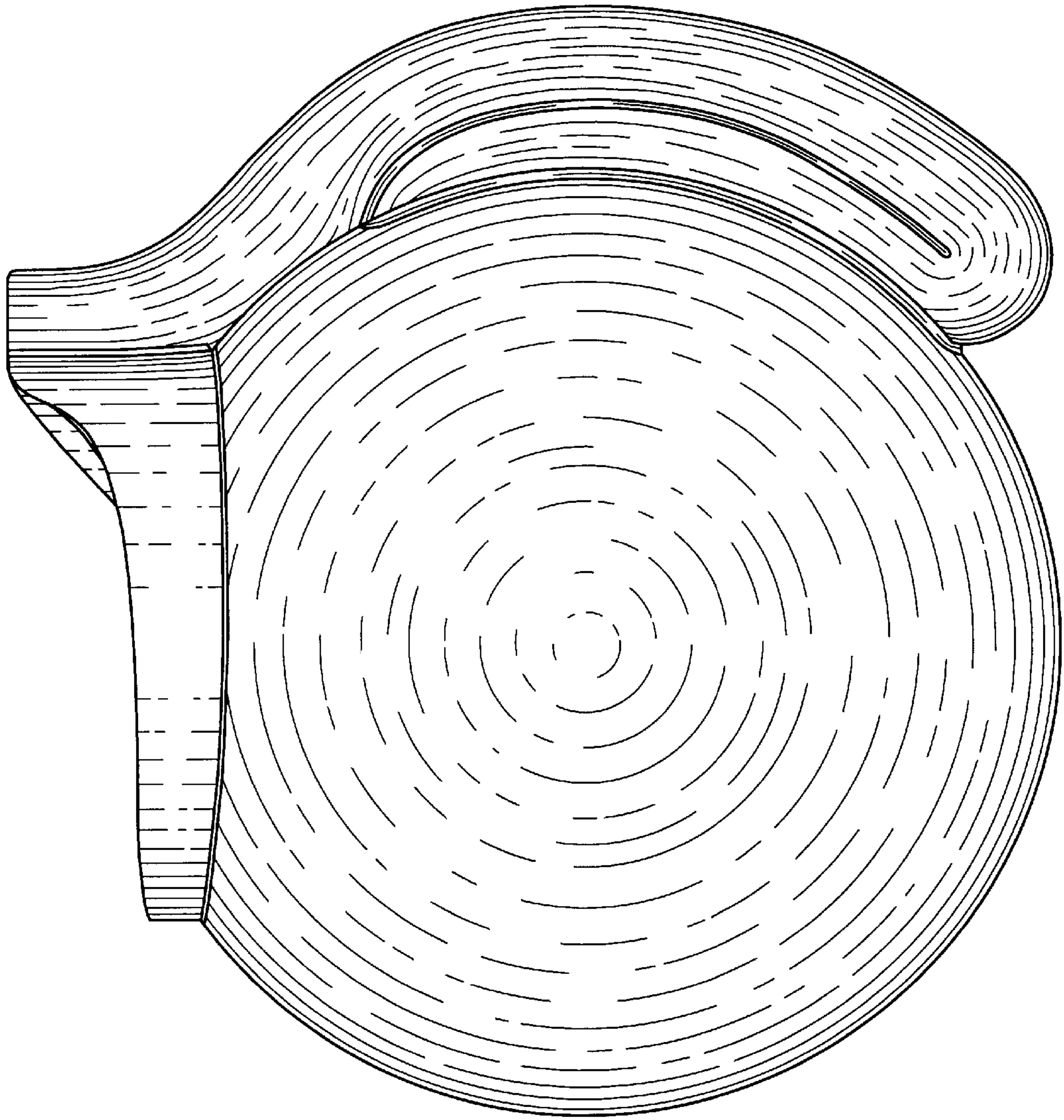


FIG. 7