



US00D426225S

United States Patent [19]

Davis

[11] Patent Number: Des. 426,225

[45] Date of Patent: ** Jun. 6, 2000

[54] GLOBAL POSITIONING SYSTEM
RECEIVER ENCLOSURE

[75] Inventor: Ronald G. D. Davis, Fremont, Calif.

[73] Assignee: Trimble Navigation Limited,
Sunnyvale, Calif.

[**] Term: 14 Years

[21] Appl. No.: 29/089,536

[22] Filed: Jun. 17, 1998

[51] LOC (7) Cl. 13-99

[52] U.S. Cl. D14/188; D10/46

[58] Field of Search D13/184; D14/107,
D14/155, 188; D10/46, 65; 361/388; 364/200,
434, 443, 444, 445, 451, 708.1, 709.11

[56] **References Cited**

U.S. PATENT DOCUMENTS

- D. 357,197 4/1995 Suzuki D10/65
- D. 376,329 12/1996 Youabian D10/65

- D. 383,400 9/1997 Wada D10/65
- D. 396,423 7/1998 Ishii D10/65
- D. 416,502 11/1999 Autry et al. D10/65
- 5,179,501 1/1993 Ocken et al. 361/388

Primary Examiner—Brian N. Vinson
Attorney, Agent, or Firm—Wagner, Murabito & Hao LLP

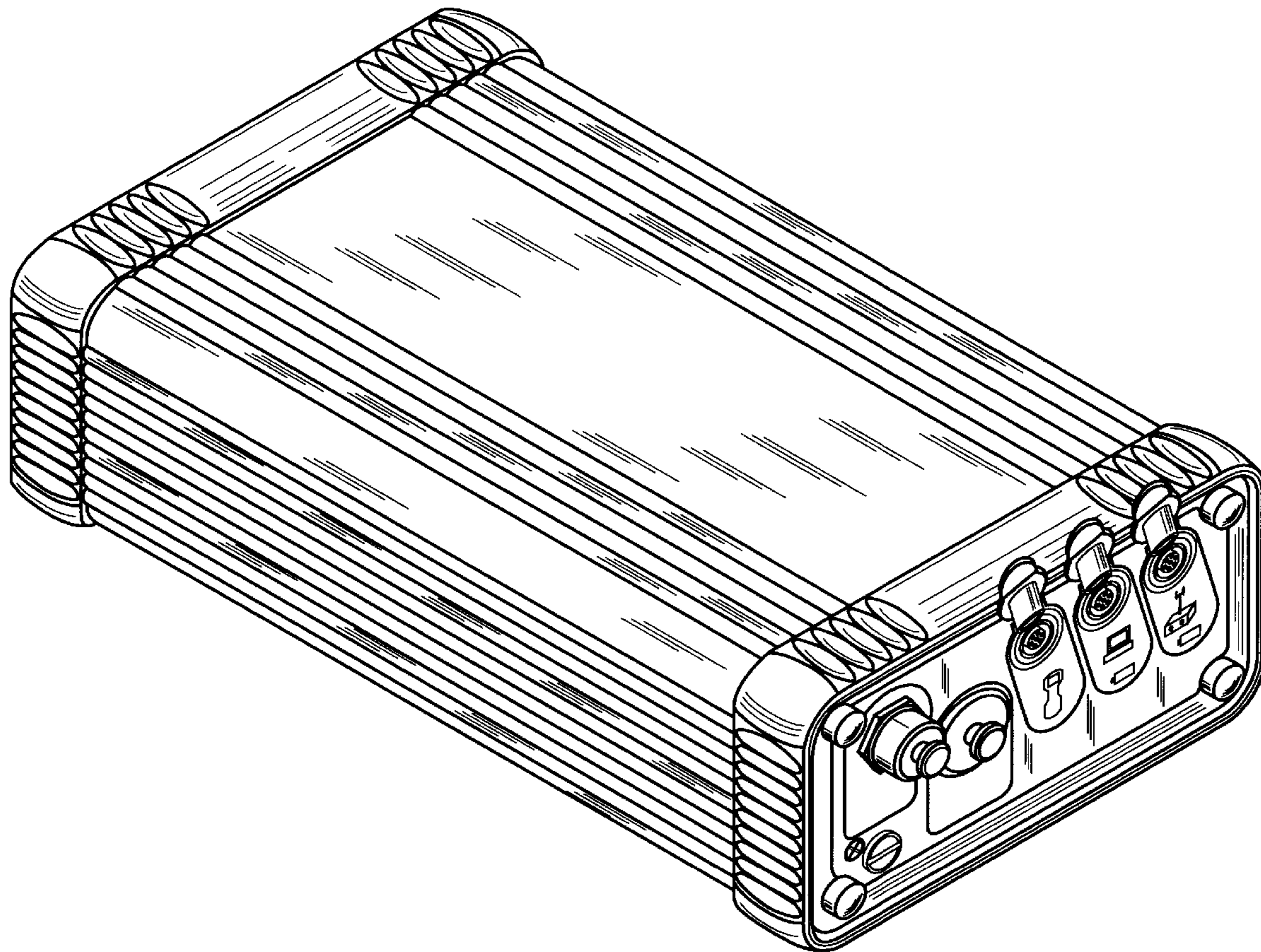
[57] **CLAIM**

We claim the ornamental design for a global positioning system receiver enclosure, as shown.

DESCRIPTION

FIG. 1 is a left front perspective view of the global positioning system receiver enclosure comprising the present invention;
FIG. 2 is a front view thereof;
FIG. 3 is a rear view thereof;
FIG. 4 is a right side view thereof; and,
FIG. 5 is a top plan view thereof.
The broken line showing of FIG. 3 is for illustrative purposes only and forms no part of the claimed design.

1 Claim, 5 Drawing Sheets



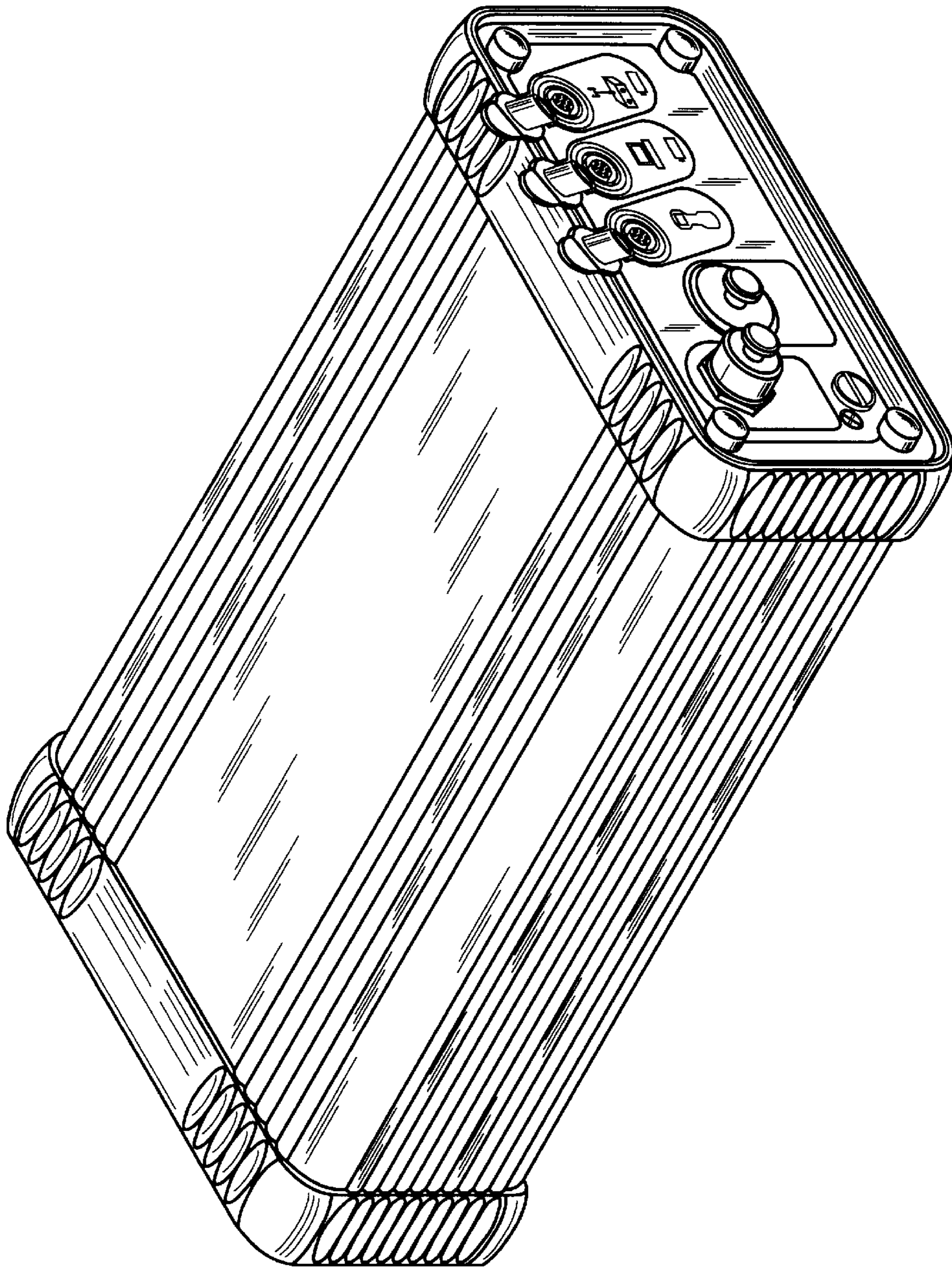


FIG. 1

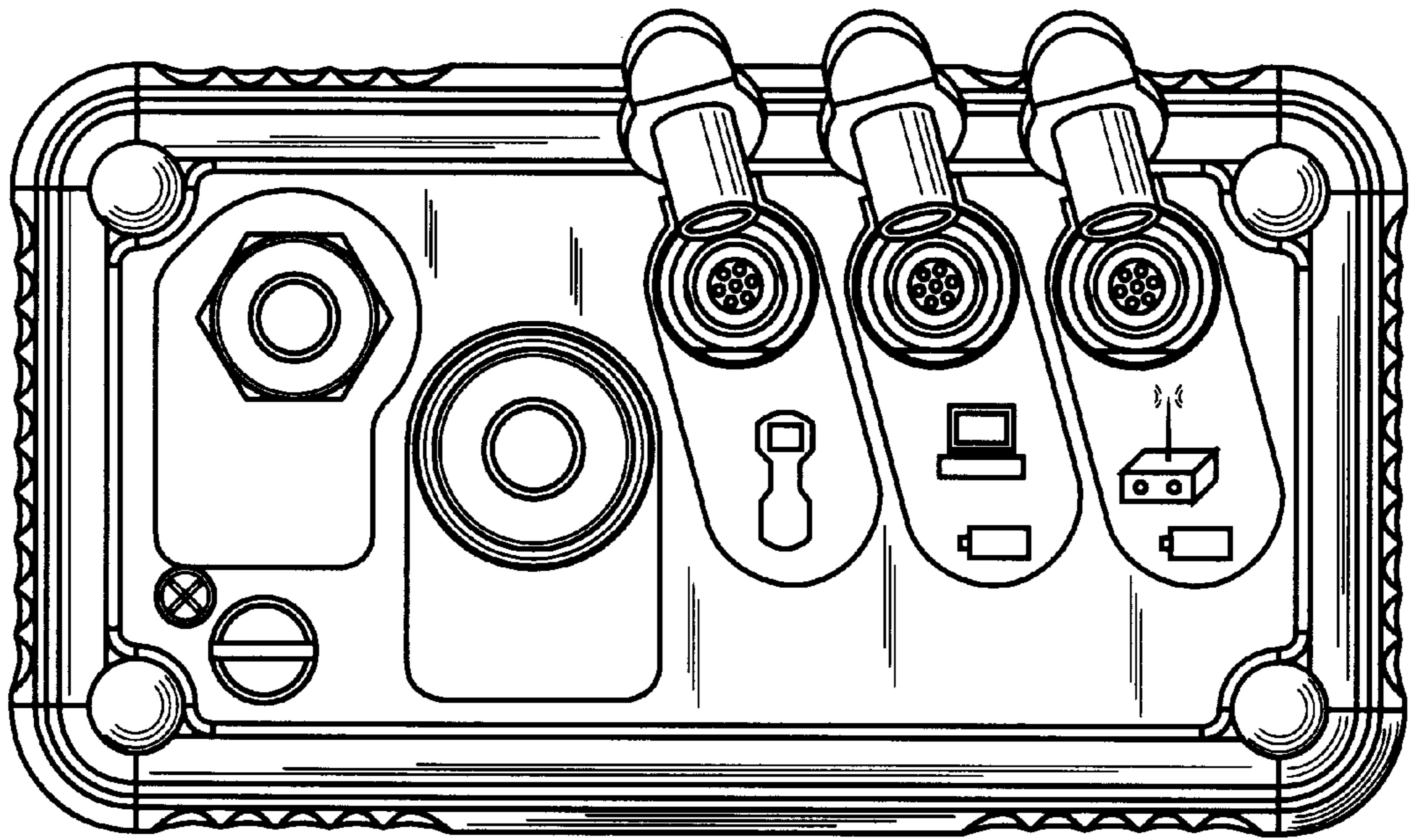


FIG.2

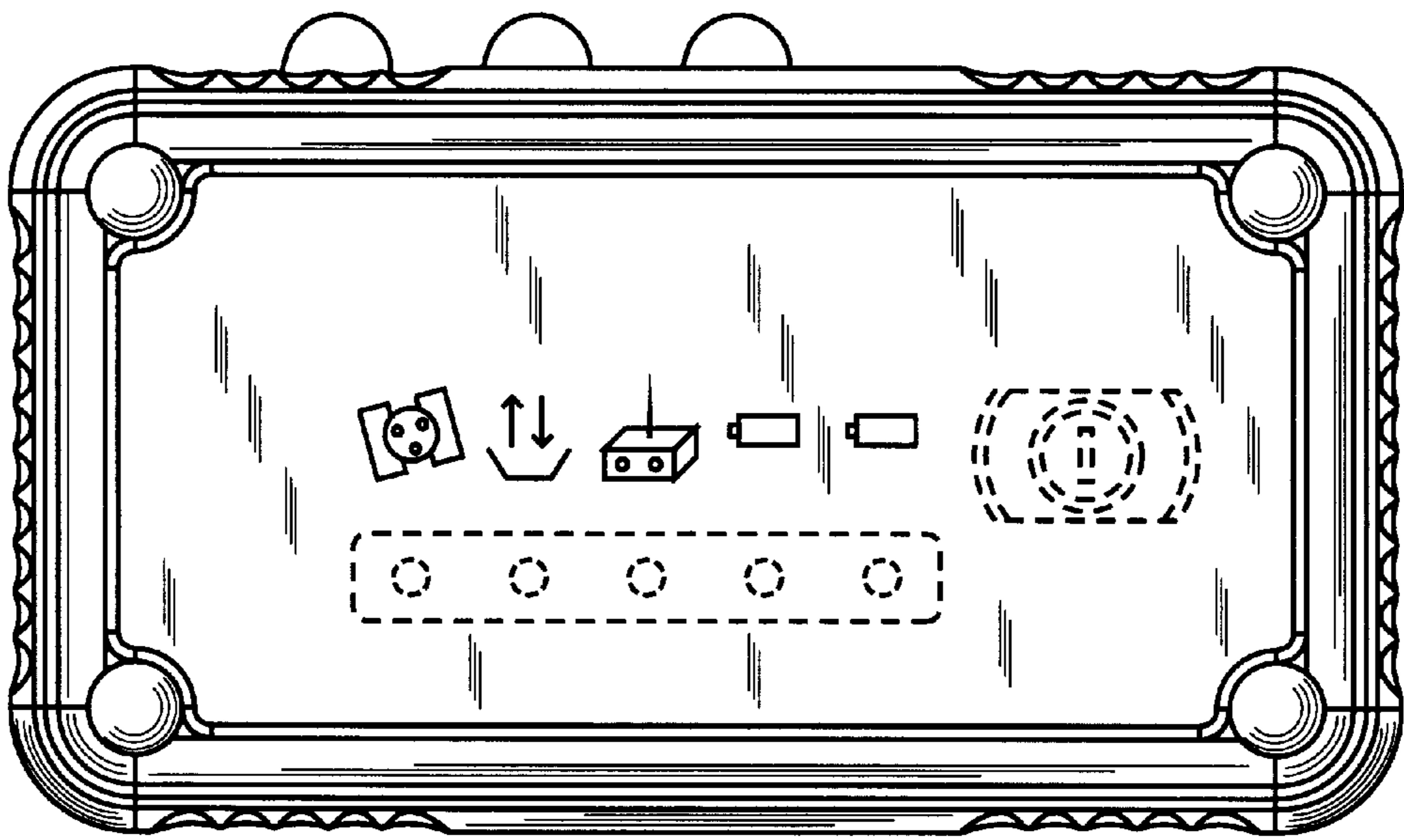


FIG.3

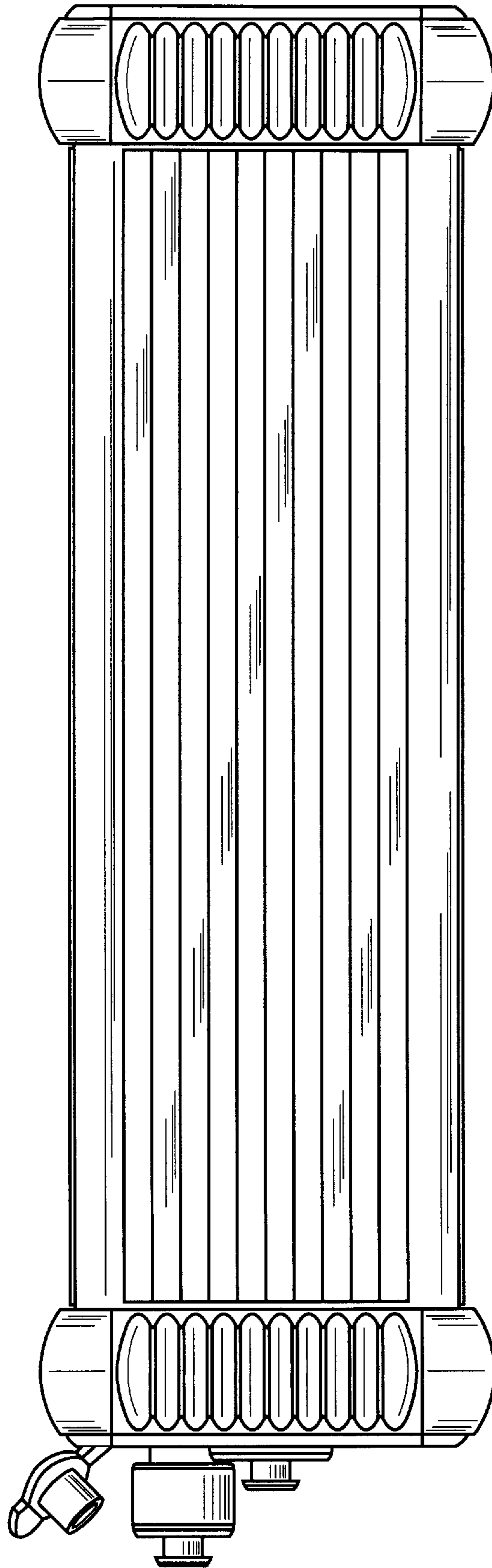


FIG. 4

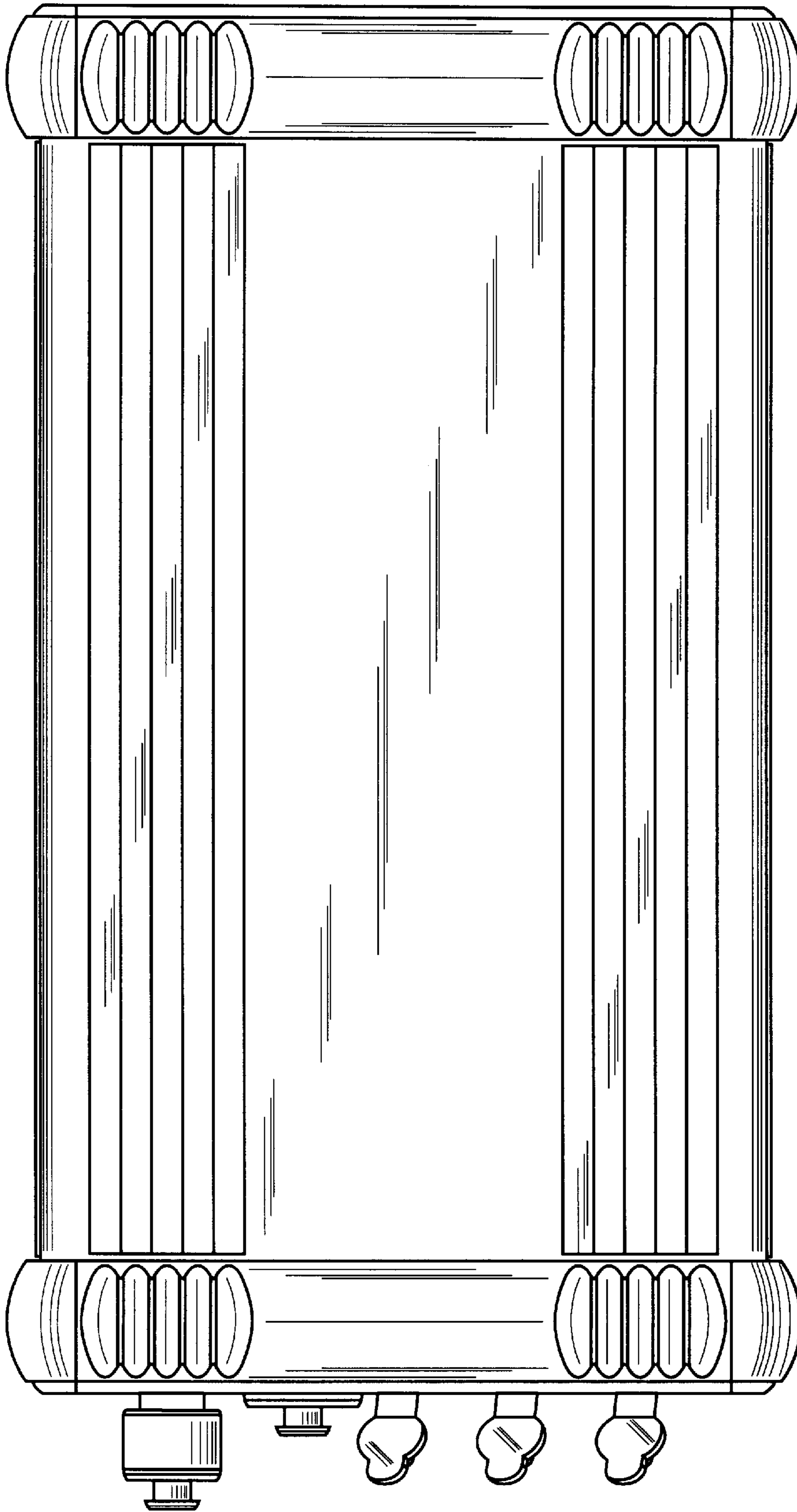


FIG. 5