



US00D426221S

United States Patent [19]
Shindo

[11] **Patent Number: Des. 426,221**
[45] **Date of Patent: ** Jun. 6, 2000**

[54] **DISC PLAYER HAVING LOCATING SYSTEM**

[57] **CLAIM**

[75] Inventor: **Koji Shindo**, Tokyo, Japan

The ornamental design for a disc player having locating system, as shown and described.

[73] Assignee: **Sony Corporation**, Japan

DESCRIPTION

[**] Term: **14 Years**

FIG. 1 is a perspective view of a first embodiment of a disc player having a locating system showing my new design; FIG. 2 is a top plan view thereof; FIG. 3 is a bottom plan view thereof; FIG. 4 is a left side elevational view thereof; FIG. 5 is a right side elevational view thereof; and FIG. 6 is a front elevational view thereof; FIG. 7 is a rear elevational view thereof. FIG. 8 is another perspective view thereof, wherein the lid portion is in the open position.

[21] Appl. No.: **29/100,407**

[22] Filed: **Feb. 10, 1999**

FIG. 9 is a perspective view of a second embodiment of a disc player having a locating system showing my new design;

[51] **LOC (7) Cl.** **14-01**

[52] **U.S. Cl.** **D14/156**

[58] **Field of Search** D14/107, 124, D14/135, 136, 156, 160, 162, 164, 168, 197, 198, 257, 258; 369/75.1, 75.2, 77.1, 77.2

FIG. 10 is a top plan view thereof; FIG. 11 is a bottom plan view thereof; FIG. 12 is a left side elevational view thereof; FIG. 13 is a right side elevational view thereof; and FIG. 14 is a front elevational view thereof; FIG. 15 is a rear elevational view thereof; and, FIG. 16 is another perspective view thereof, wherein the lid portion is in the open position.

[56] **References Cited**

U.S. PATENT DOCUMENTS

- D. 371,358 7/1996 Yamagishi et al. D14/136
- D. 383,735 9/1997 Privitera et al. D14/107
- 5,650,891 7/1997 Thayne et al. 369/77.2 X

OTHER PUBLICATIONS

Catalog "90", p. 168, SONY, (Nov. 1998).

Primary Examiner—Nanda Bondade
Attorney, Agent, or Firm—Rader, Fishman & Grauer

1 Claim, 10 Drawing Sheets

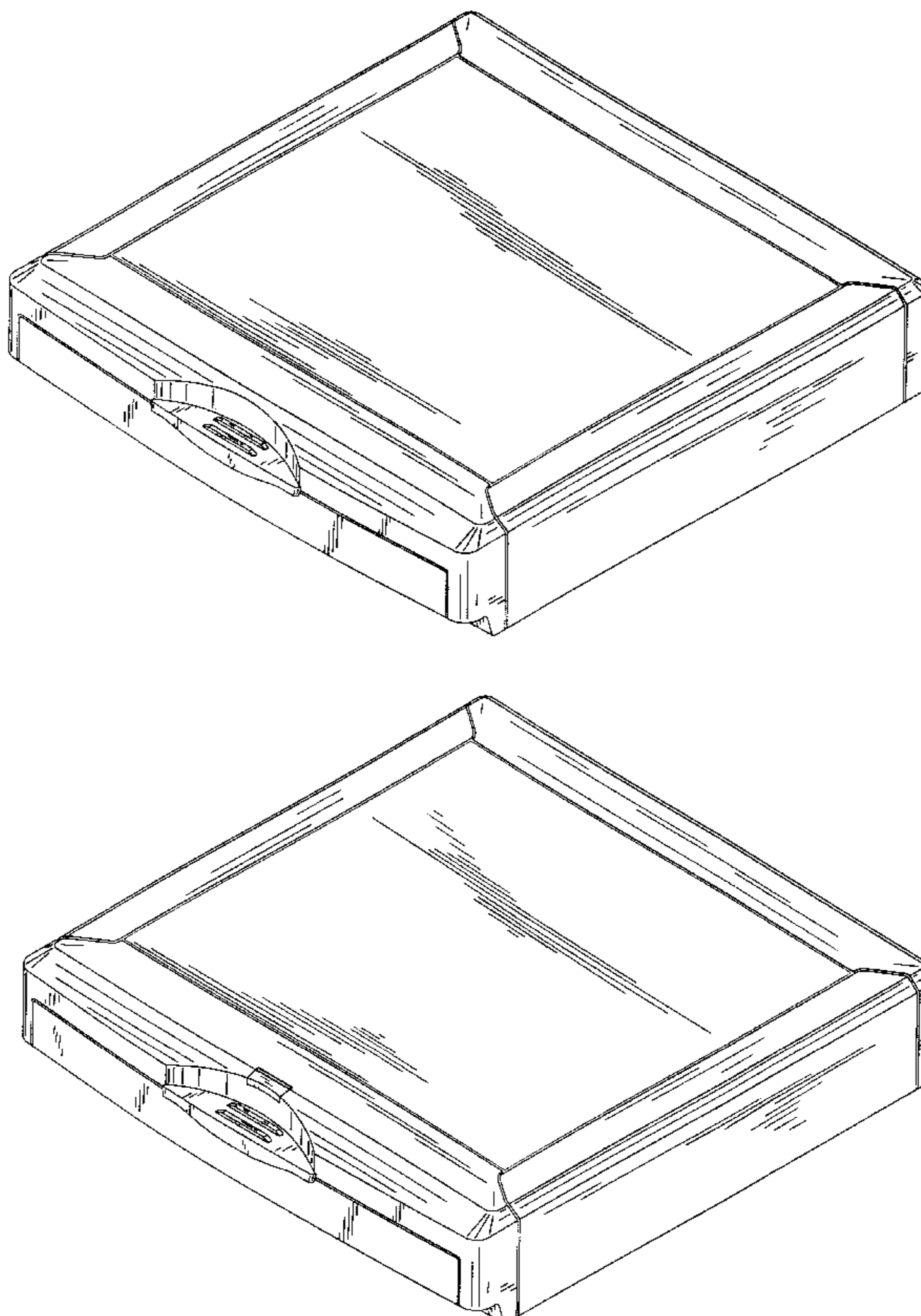


FIG. 1

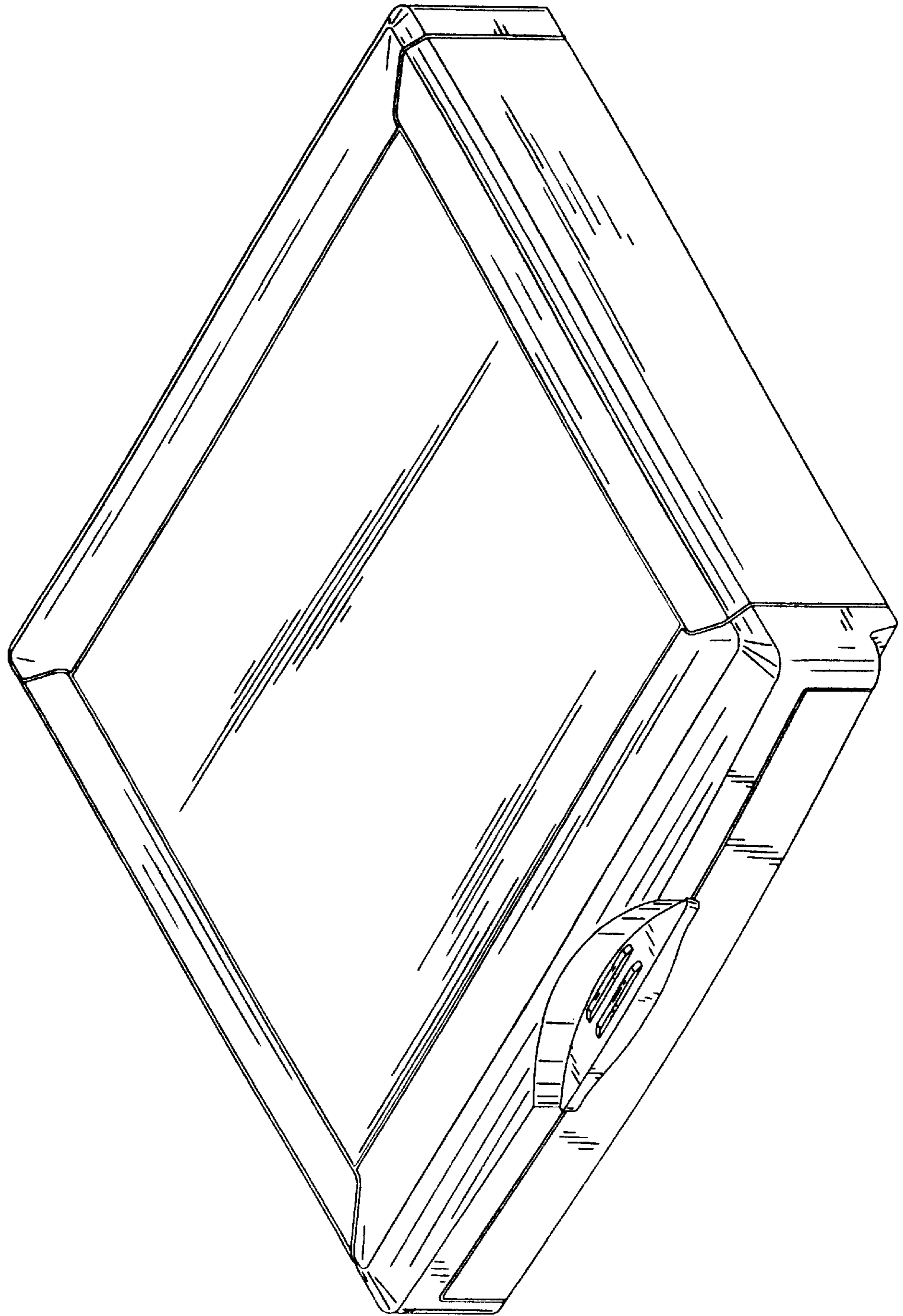


FIG. 3

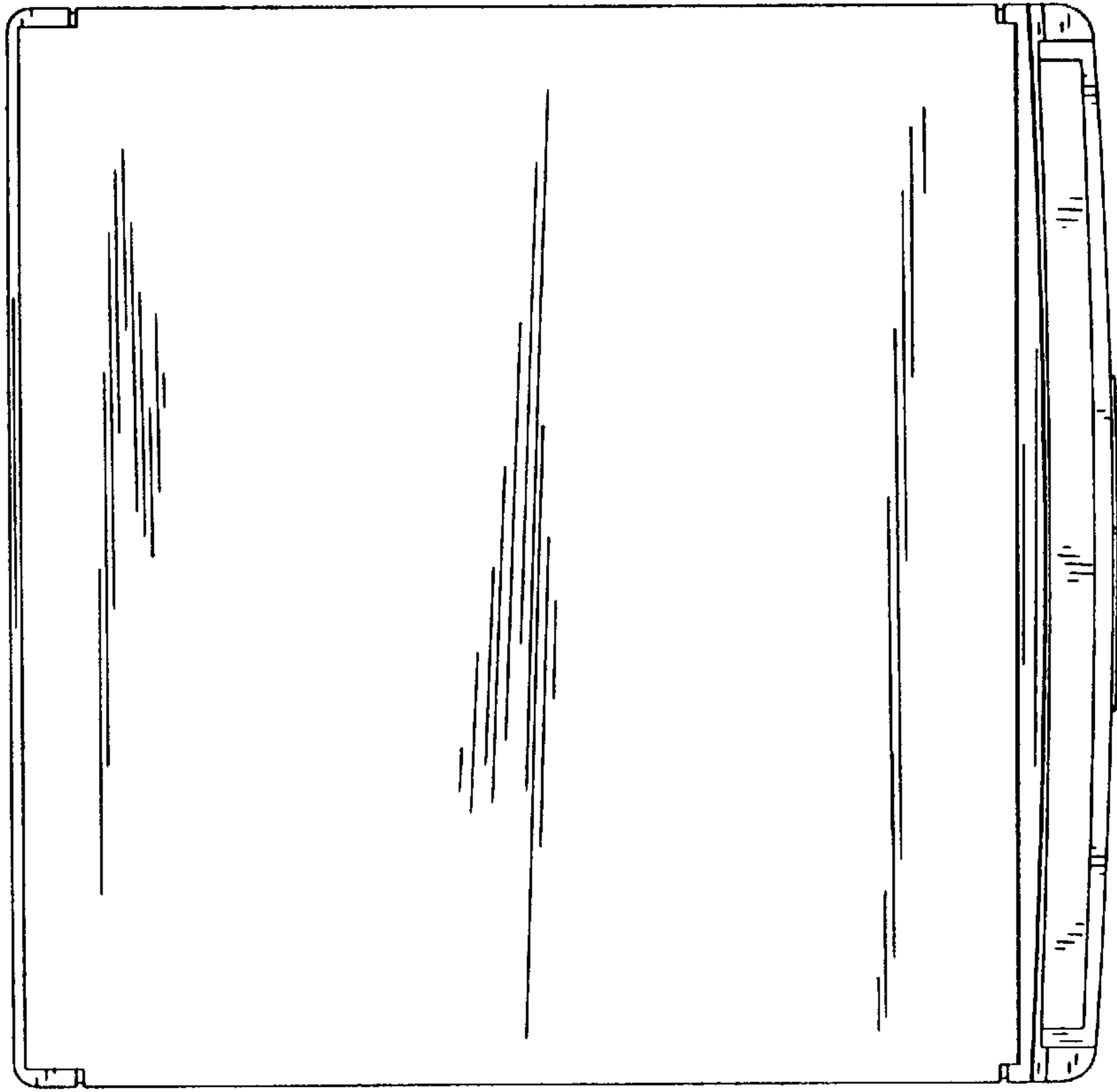


FIG. 2

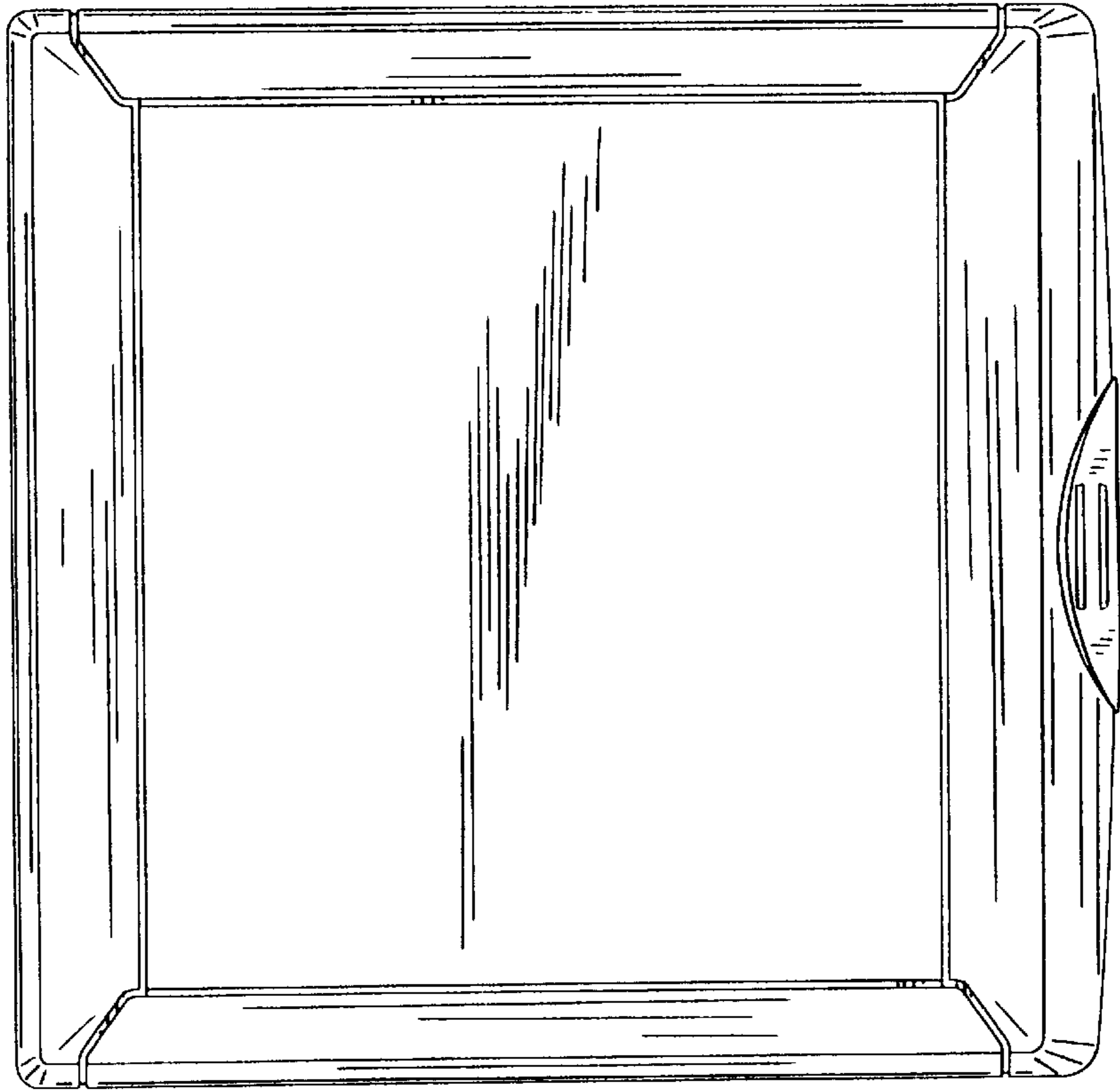


FIG. 4

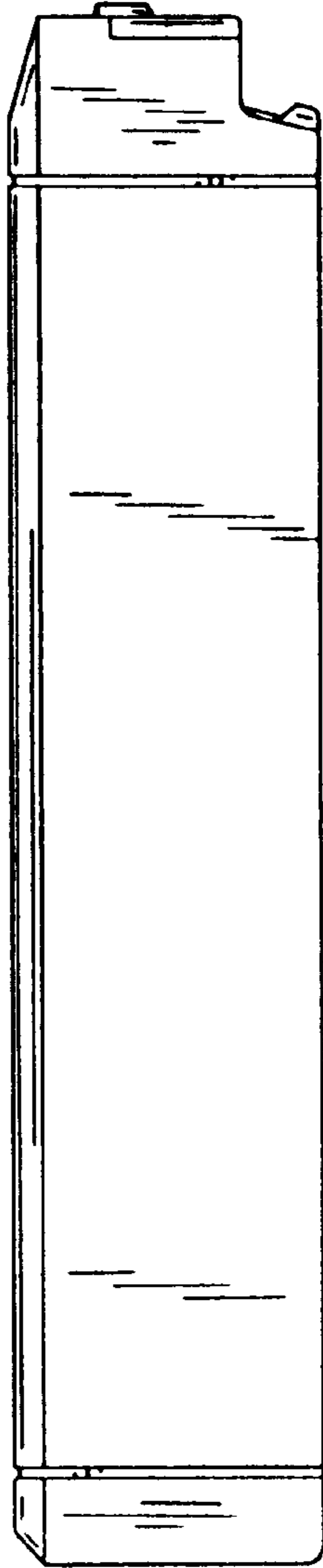


FIG. 5

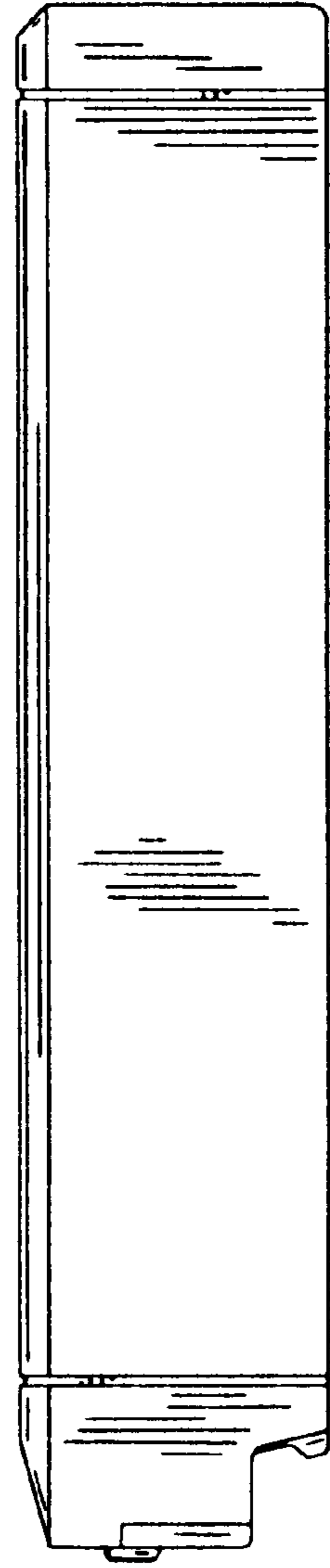


FIG. 6

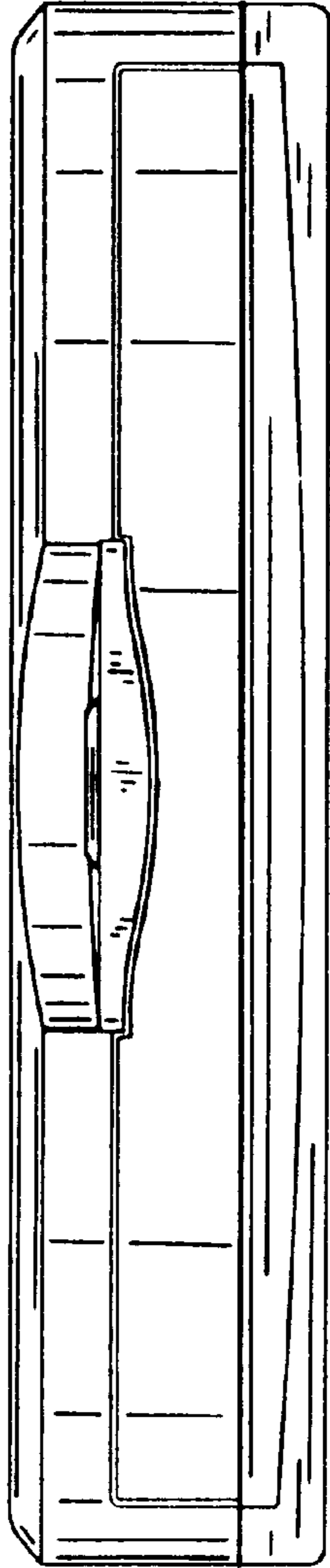


FIG. 7

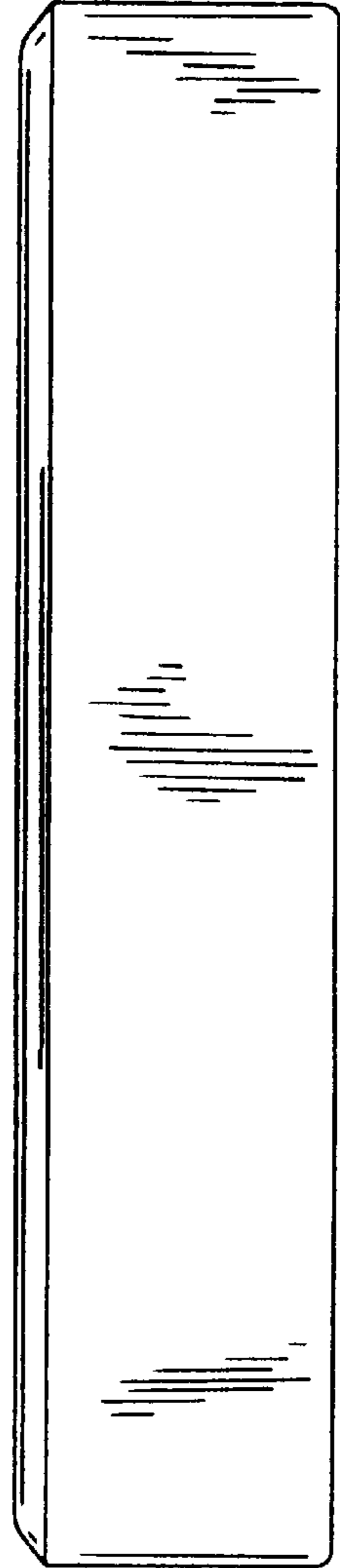


FIG. 8

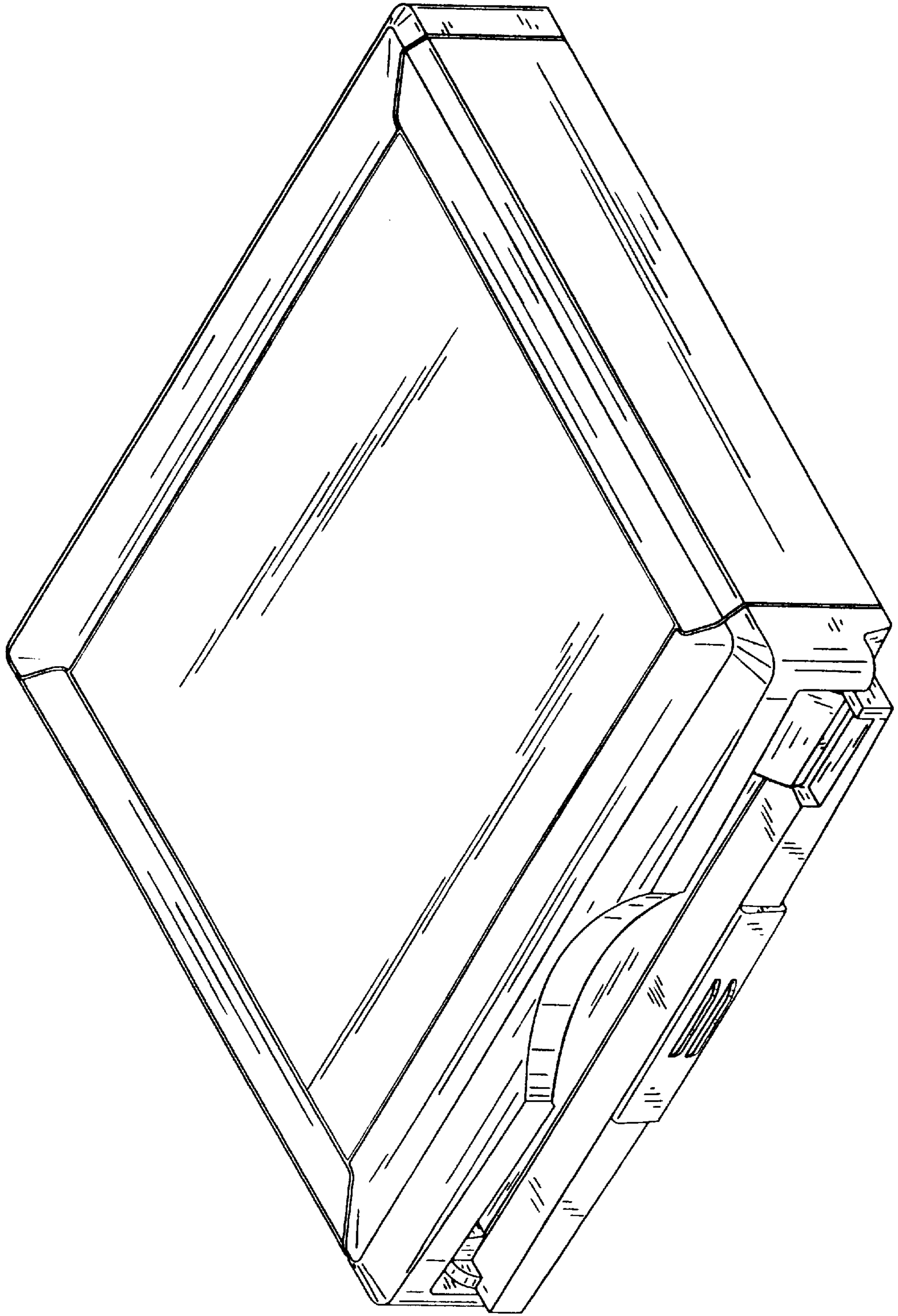


FIG. 9

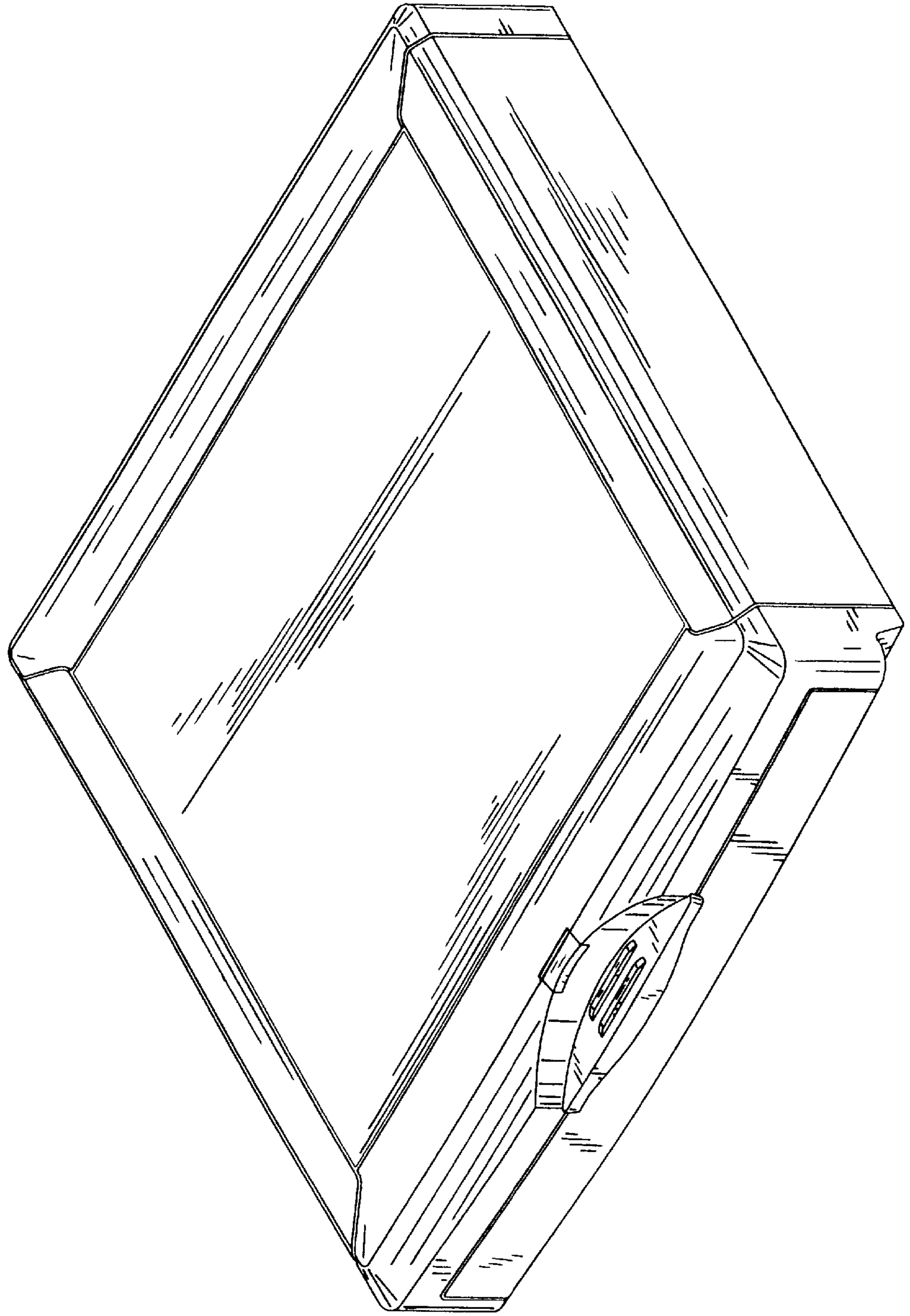


FIG. 11

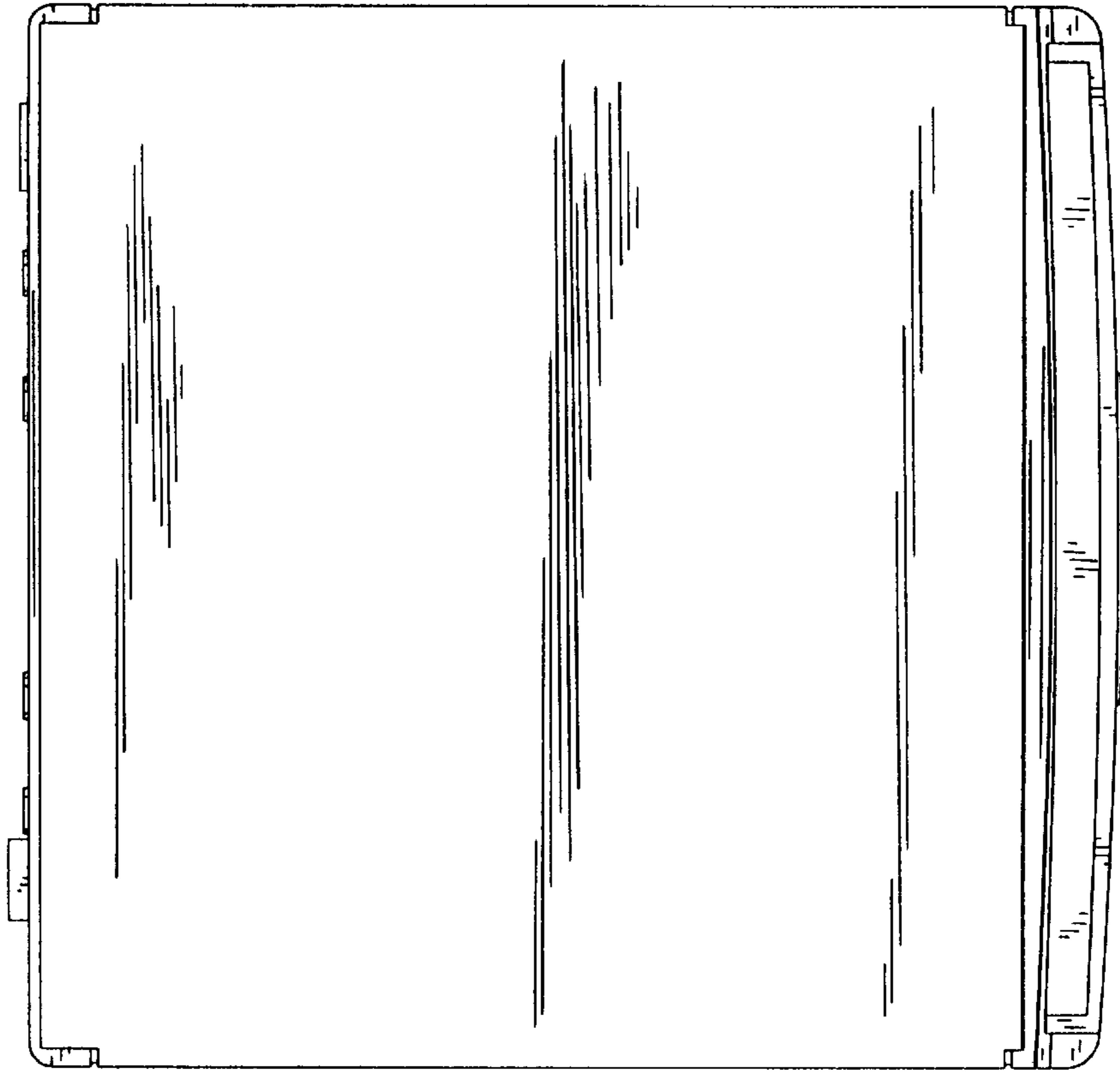


FIG. 10

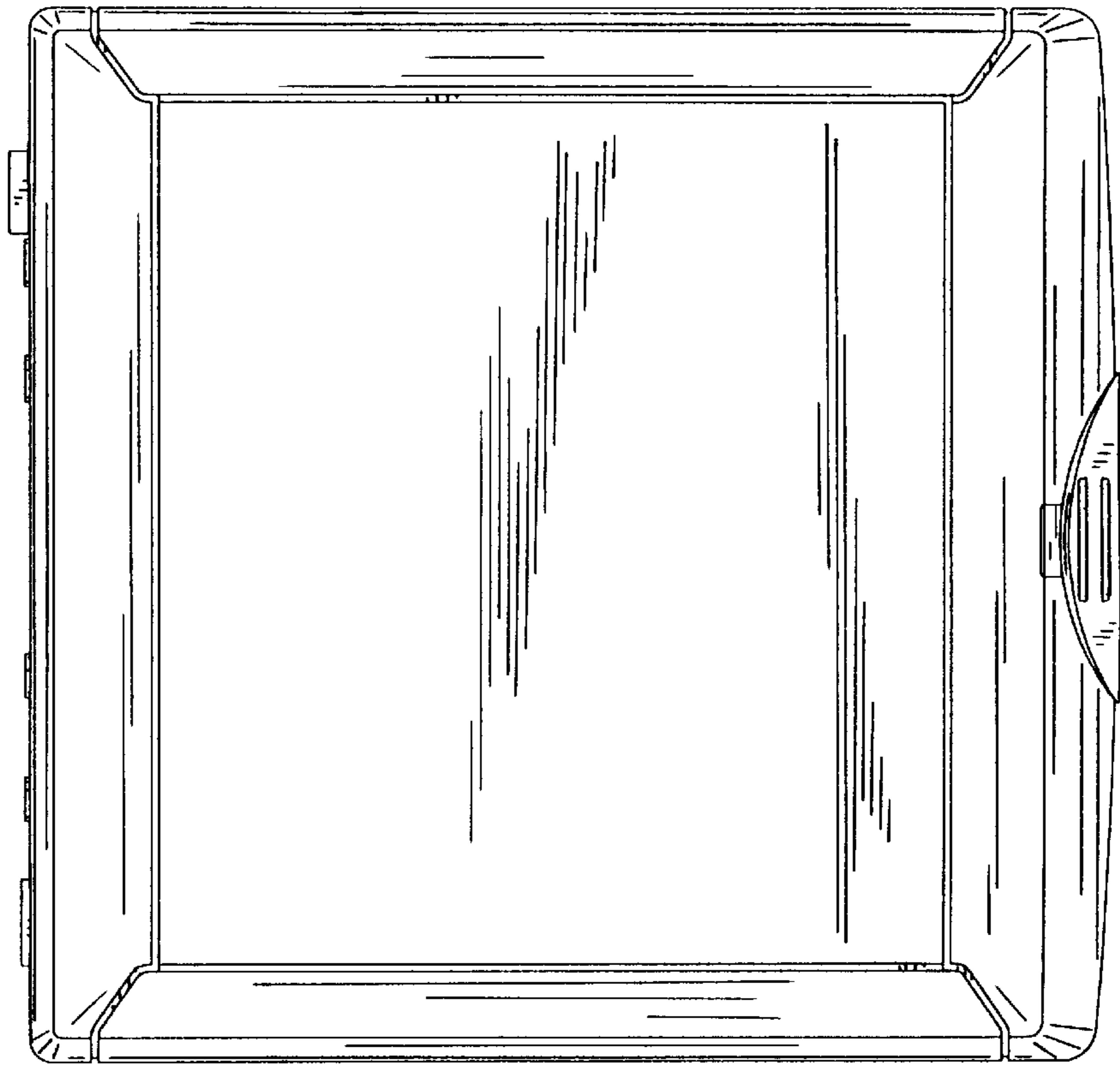


FIG. 12

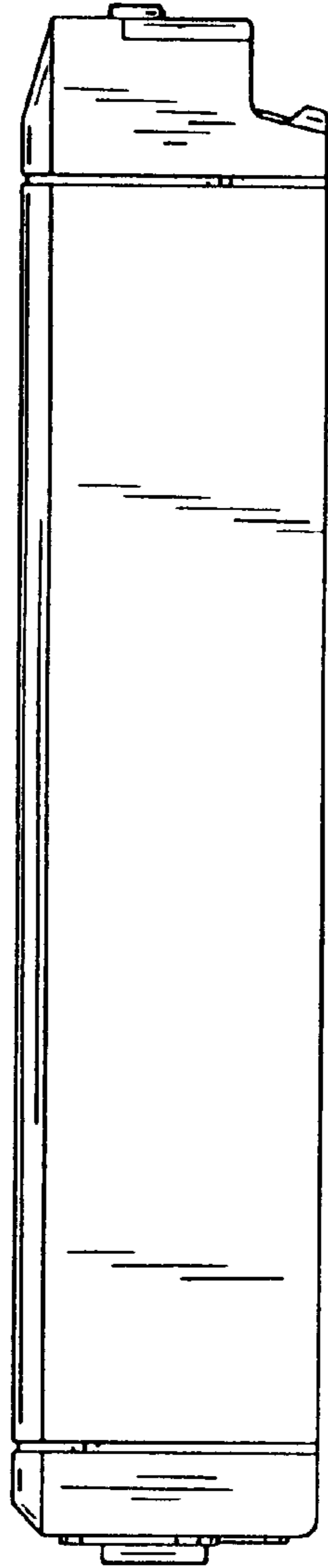


FIG. 13

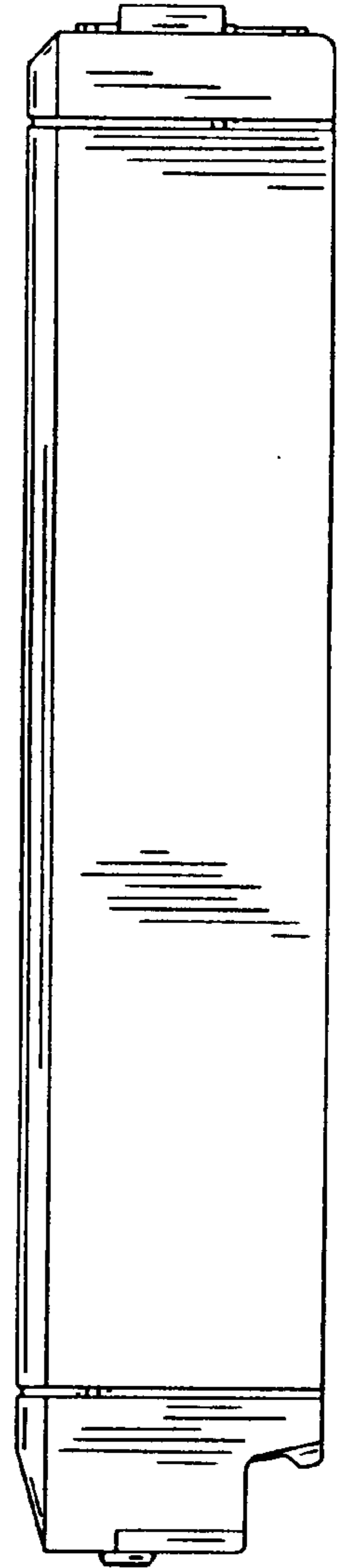


FIG. 14

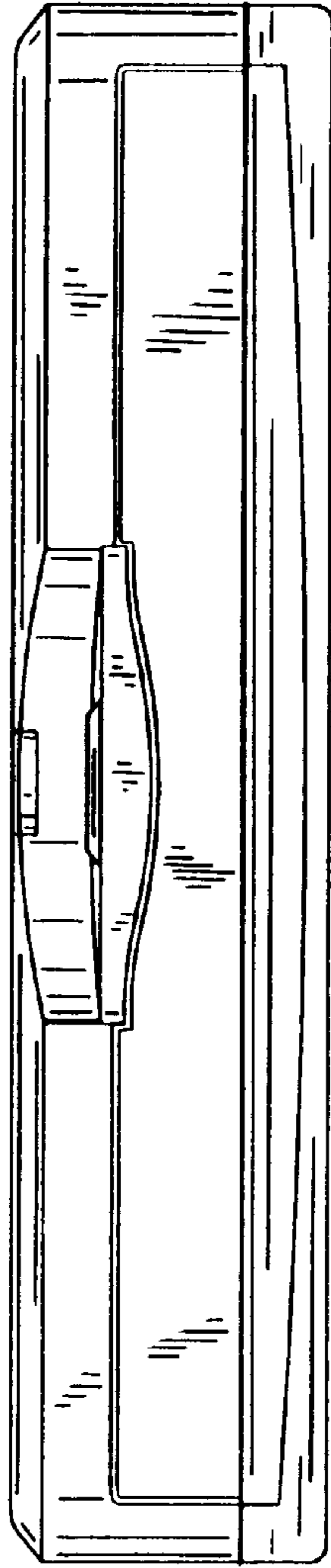


FIG. 15

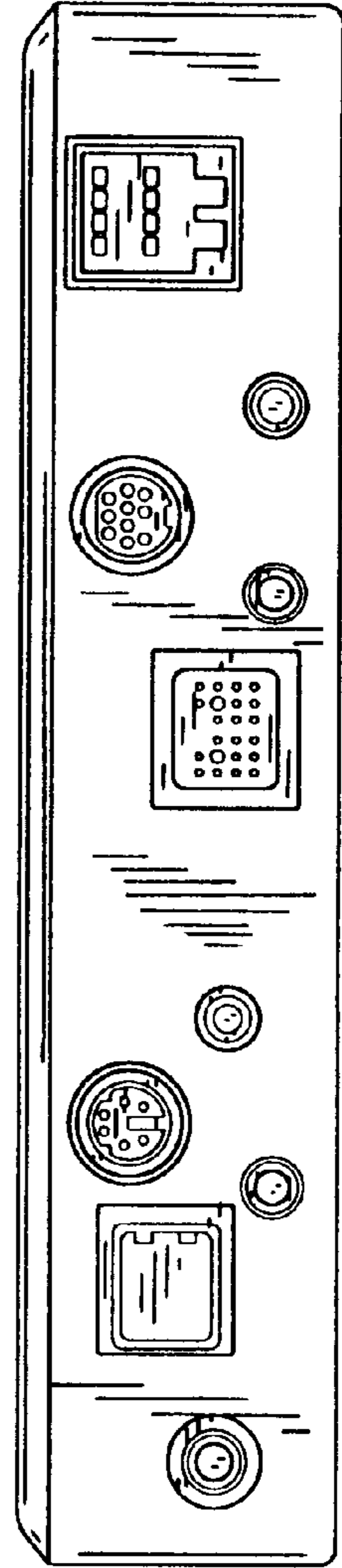


FIG. 16

