



US00D426220S

United States Patent [19] Sampson

[11] **Patent Number: Des. 426,220**
[45] **Date of Patent: ** Jun. 6, 2000**

[54] **HANDSFREE EMERGENCY TELEPHONE**

[75] Inventor: **David C. Sampson**, Keller, Tex.

[73] Assignee: **Kings III of America, Inc.**, Carrollton, Tex.

[**] Term: **14 Years**

[21] Appl. No.: **29/100,582**

[22] Filed: **Feb. 8, 1999**

[51] **LOC (7) Cl.** **14-03**

[52] **U.S. Cl.** **D14/142**

[58] **Field of Search** D14/140, 142,
D14/240, 149, 159, 245, 257, 243, 146;
379/419, 420, 440, 37, 388, 428, 40, 45;
D10/106, 104

[56] **References Cited**

U.S. PATENT DOCUMENTS

D. 070,752	8/1926	Green et al.	D14/142
D. 83,540	3/1931	Jenkins et al.	.	
D. 187,074	1/1960	Cunningham	D26/14
D. 210,026	1/1968	Kahn	D26/14
D. 211,092	5/1968	Kahn	D14/159
D. 213,027	12/1968	Walz	D72/1
D. 213,028	12/1968	Walz	D72/1
D. 217,462	5/1970	Fortin	D14/142
D. 222,120	9/1971	Payne	D29/99
D. 230,519	2/1974	Reddick	D29/2
D. 233,319	10/1974	Skarman	D10/106

D. 238,186	12/1975	Kramer et al.	D26/14 A
D. 279,471	7/1985	Nakashima	D14/159
D. 281,501	11/1985	Yamagata et al.	D14/92
D. 283,130	3/1986	Boenning	D14/159
D. 289,754	5/1987	Koob	D14/159
D. 305,121	12/1989	Pfeifer et al.	D14/159
D. 313,593	1/1991	Morooka	D14/159
D. 316,248	4/1991	Dob	D13/162
D. 321,686	11/1991	Plozner	D14/159
D. 332,100	12/1992	Blattner et al.	D14/257
D. 358,153	5/1995	Jackson	D14/245
D. 371,128	6/1996	Ferris	D14/146
D. 391,878	3/1998	Alleyne	D10/104
3,707,607	12/1972	Reddick	379/37
3,800,089	3/1974	Reddick	379/388
5,386,463	1/1995	Thompson	379/182

Primary Examiner—Jeffrey Asch
Attorney, Agent, or Firm—Theodore F. Shiells

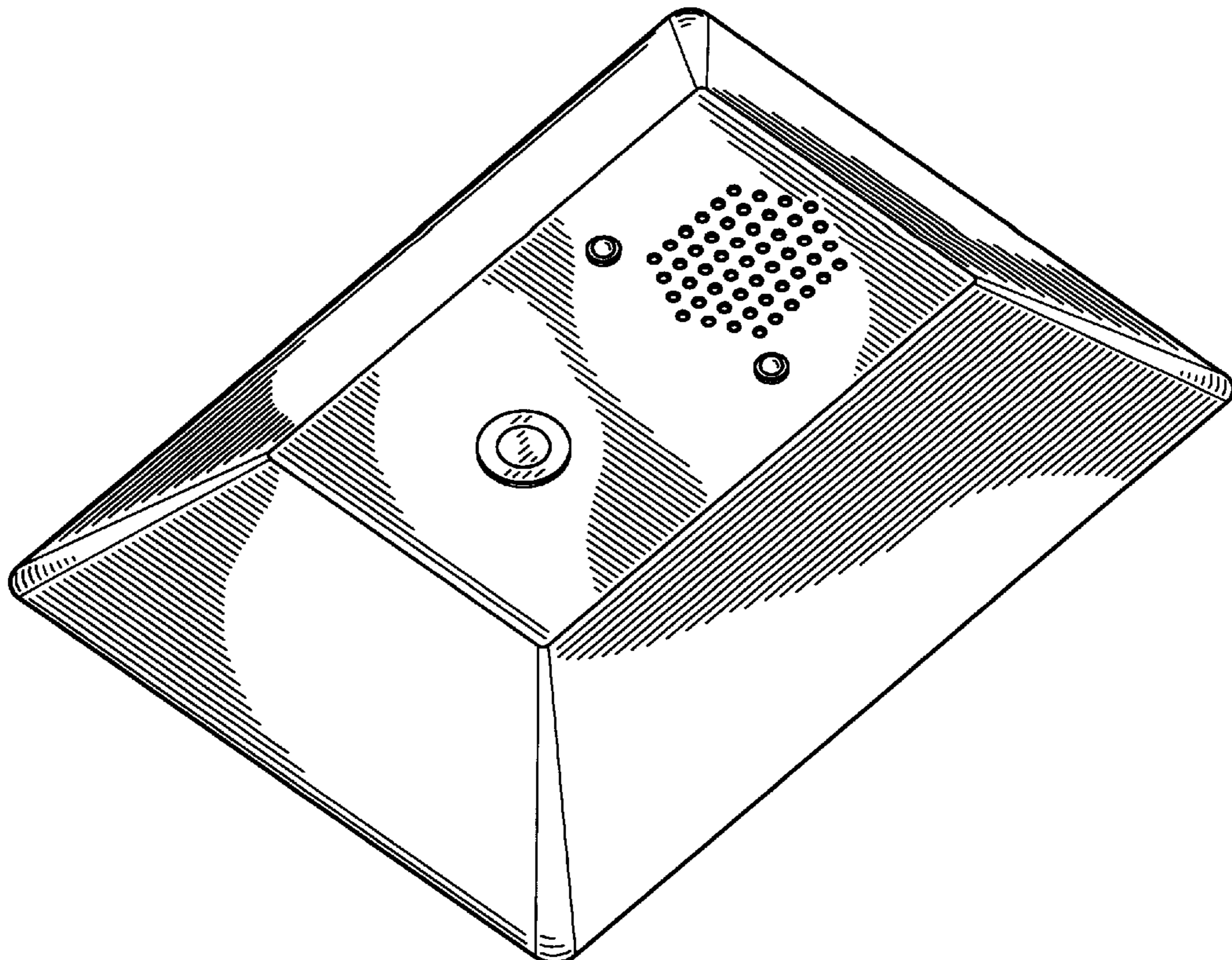
[57] **CLAIM**

The ornamental design for a handsfree emergency telephone, as shown and described.

DESCRIPTION

FIG. 1 is a perspective view of a handsfree emergency telephone showing our new design; FIG. 2 is a front plan view thereof; FIG. 3 is a side plan view thereof; and, FIG. 4 is a top elevation view thereof; whereas the back is plain and unadorned.

1 Claim, 1 Drawing Sheet



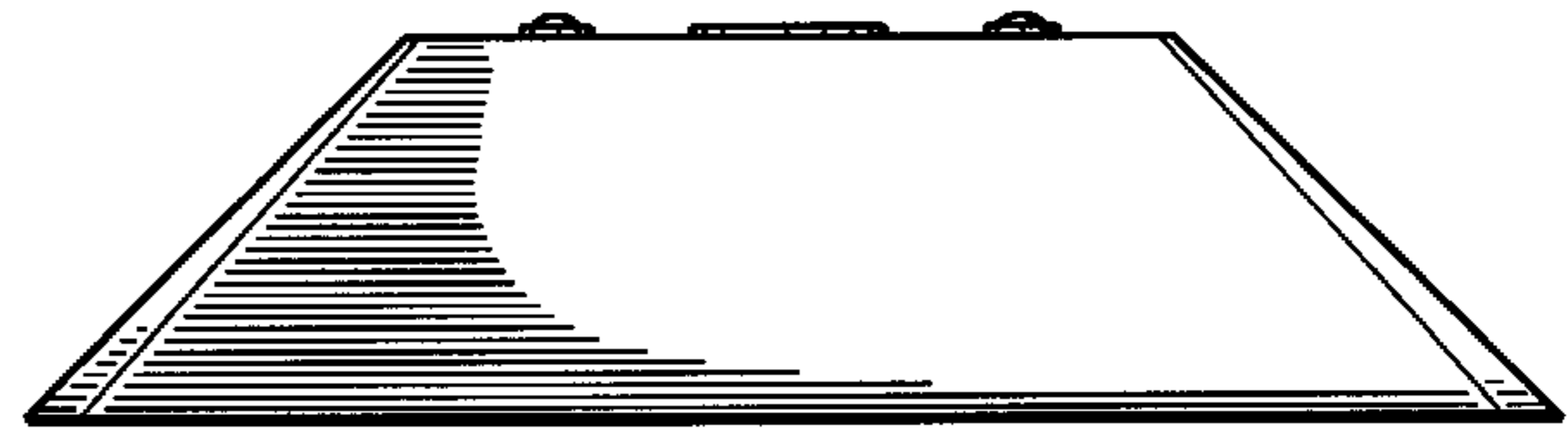
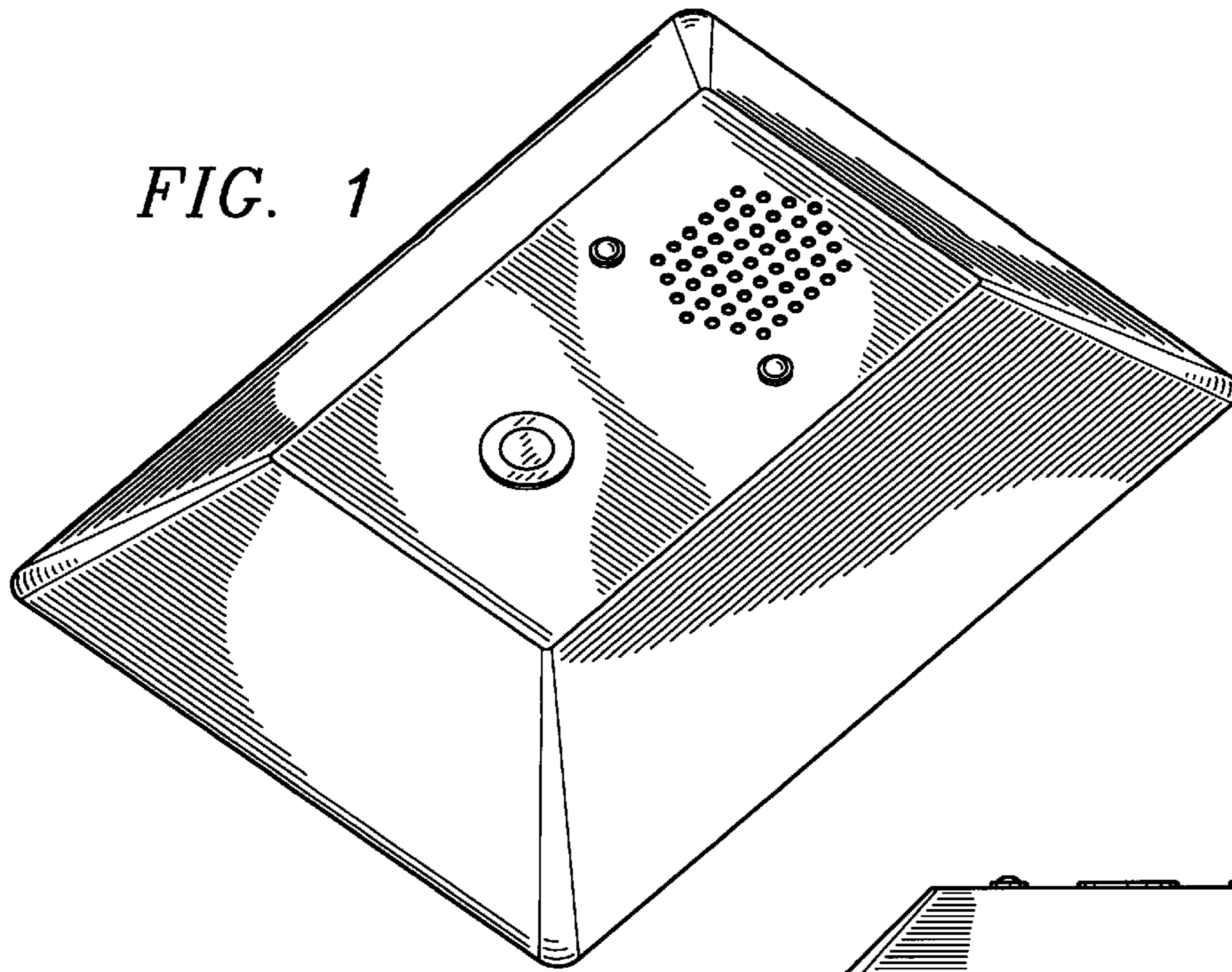


FIG. 2

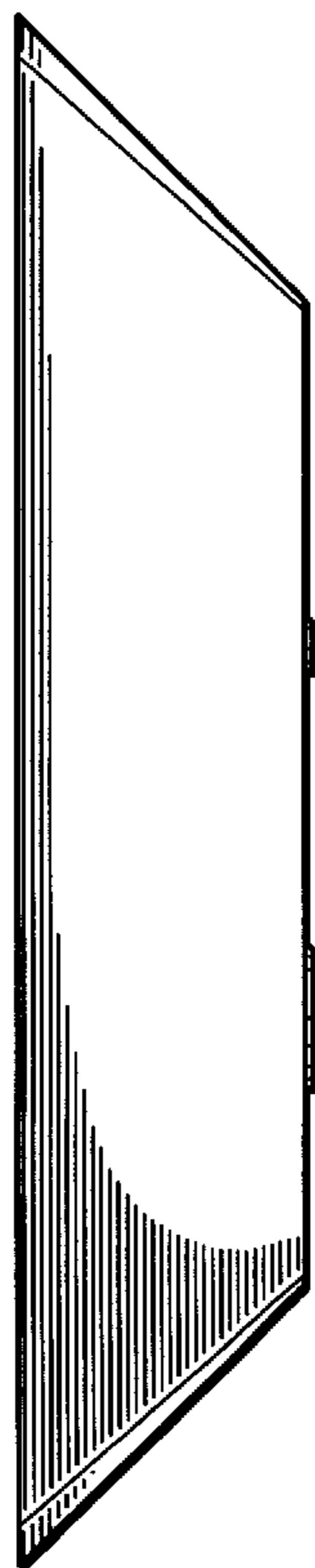


FIG. 3

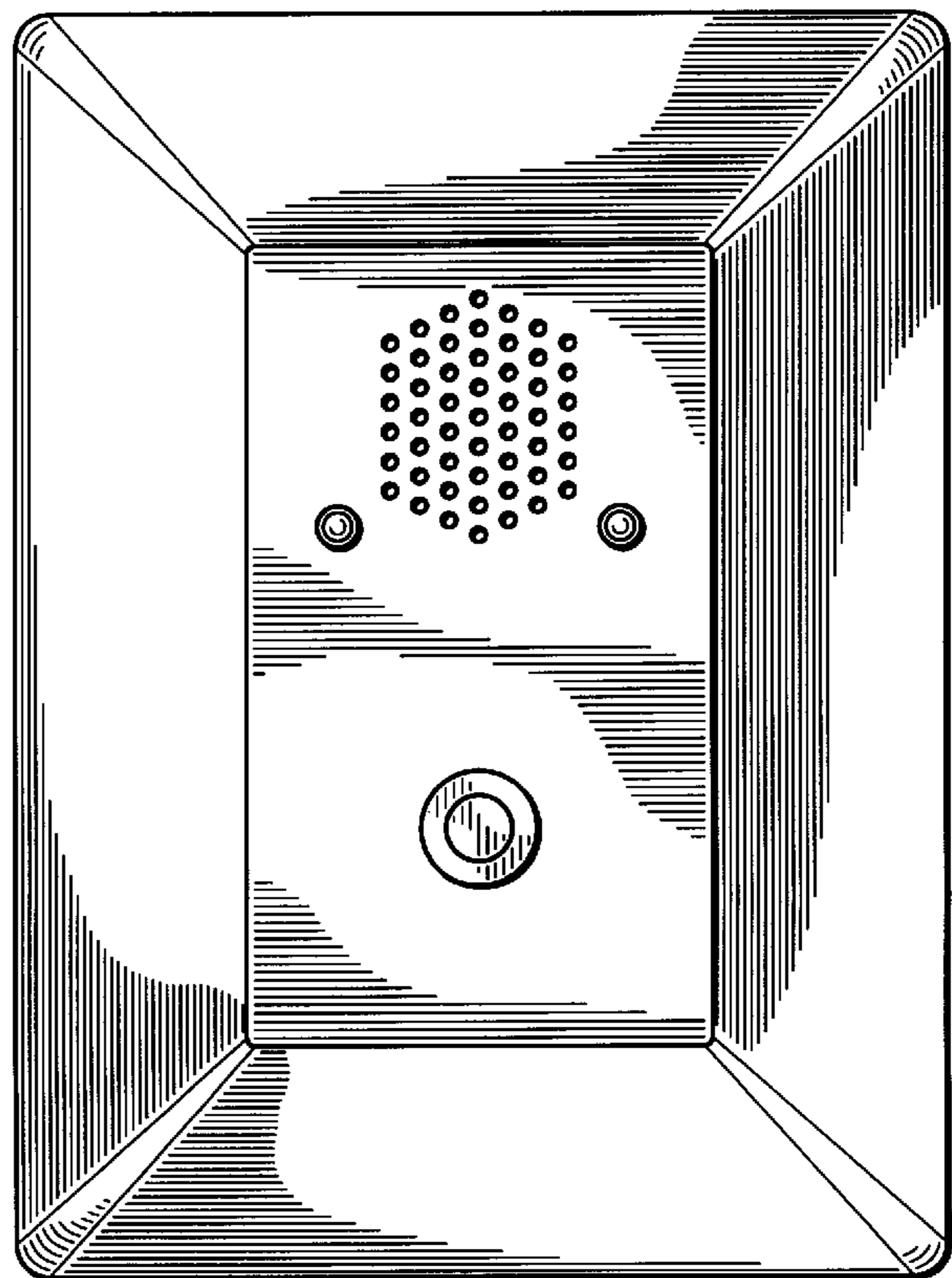


FIG. 4