



US00D426219S

United States Patent [19]

Gulino et al.

[11] Patent Number: **Des. 426,219**

[45] Date of Patent: **** Jun. 6, 2000**

[54] **PORTABLE TELEPHONE**

[75] Inventors: **Ronald Gulino**, Atlanta, Ga.; **Daniel R. Ervin**, Carlsbad; **Pamela L. Martin**, San Diego, both of Calif.

[73] Assignee: **QUALCOMM Incorporated**, San Diego, Calif.

[**] Term: **14 Years**

[21] Appl. No.: **29/105,817**

[22] Filed: **Jun. 3, 1999**

[51] **LOC (7) Cl.** **14-03**

[52] **U.S. Cl.** **D14/138**

[58] **Field of Search** D14/137, 218, D14/138, 144, 147-148, 247-249, 140-142, 250, 240, 100, 115; 379/433.434, 419, 420, 428, 440, 368; 455/550-575, 90; D13/168; D18/2, 7

[56] **References Cited**

U.S. PATENT DOCUMENTS

D. 347,005	5/1994	Suzuki	D14/138
D. 383,746	9/1997	Richards et al.	D14/138
D. 383,747	9/1997	Richards et al.	D14/138
D. 389,141	1/1998	Biasotti et al.	D14/138
D. 397,110	8/1998	Kulberg et al.	D14/138
D. 398,307	9/1998	Collins	D14/144
D. 403,318	12/1998	Kurokawa et al.	D14/138

D. 408,030	4/1999	Richards et al.	D14/138
D. 408,398	4/1999	Arnold	D14/138
5,535,435	7/1996	Balzano et al.	455/575
5,628,057	5/1997	Phillips et al.	455/575
5,703,947	12/1997	Hino et al.	379/419
5,734,716	3/1998	Kulberg	379/433
5,907,306	5/1999	Karabinis et al.	343/702

Primary Examiner—Jeffrey Asch
Attorney, Agent, or Firm—Philip R. Wadsworth; Gregory D. Ograd

[57] **CLAIM**

The ornamental design for a portable telephone, as shown and described.

DESCRIPTION

FIG. 1 is a front perspective view of the portable telephone; FIG. 2 is a rear perspective view thereof; FIG. 3 is a front plan view thereof; FIG. 4 is a side plan view thereof; FIG. 5 is a top plan view thereof; FIG. 6 is a rear view thereof; FIG. 7 is an opposite side plan view thereof from FIG. 4; and, FIG. 8 is a bottom plan view thereof. The broken line showing of the recess at the front right top of the article defines, but is not included in, the boundaries of the claimed configuration.

1 Claim, 4 Drawing Sheets

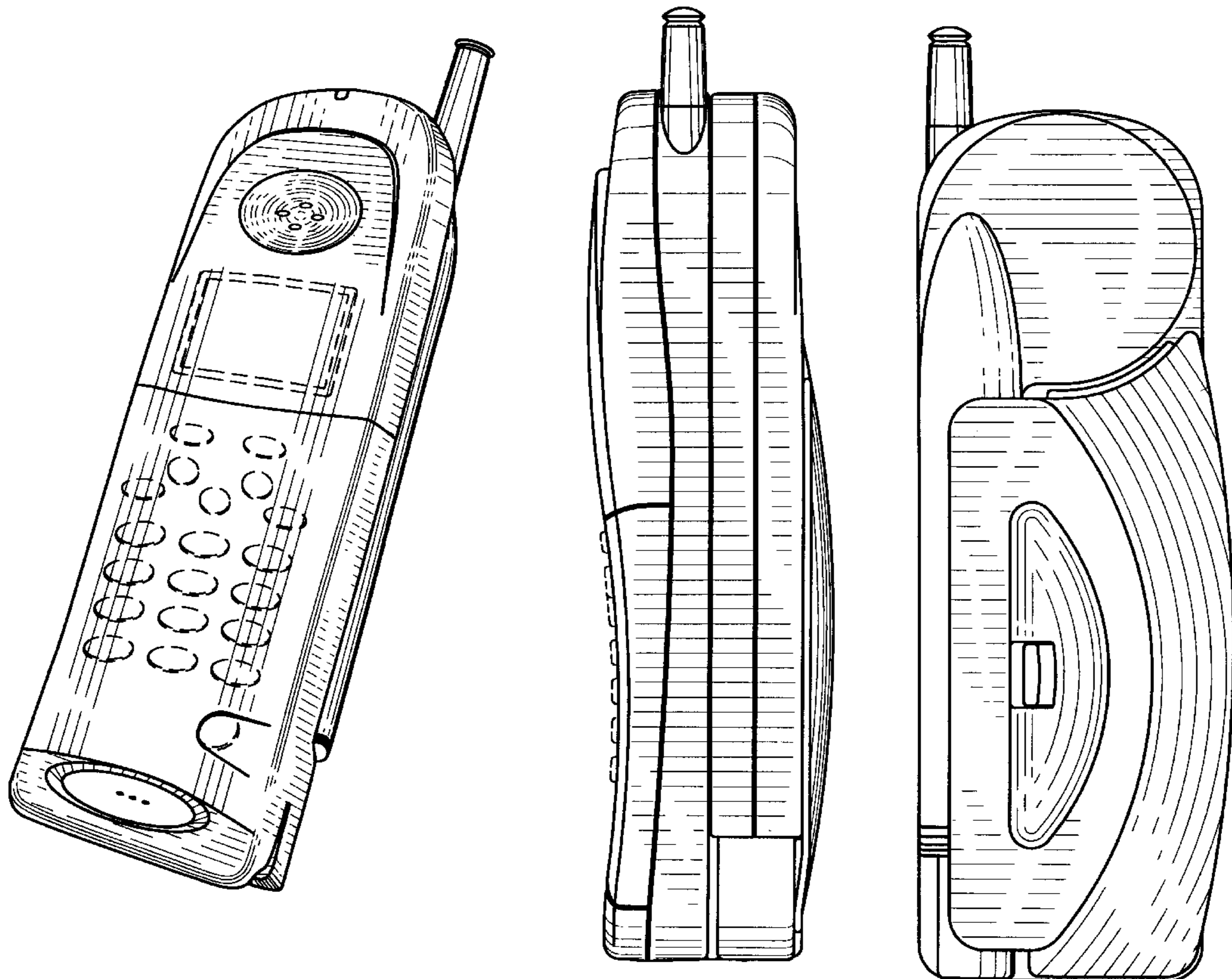
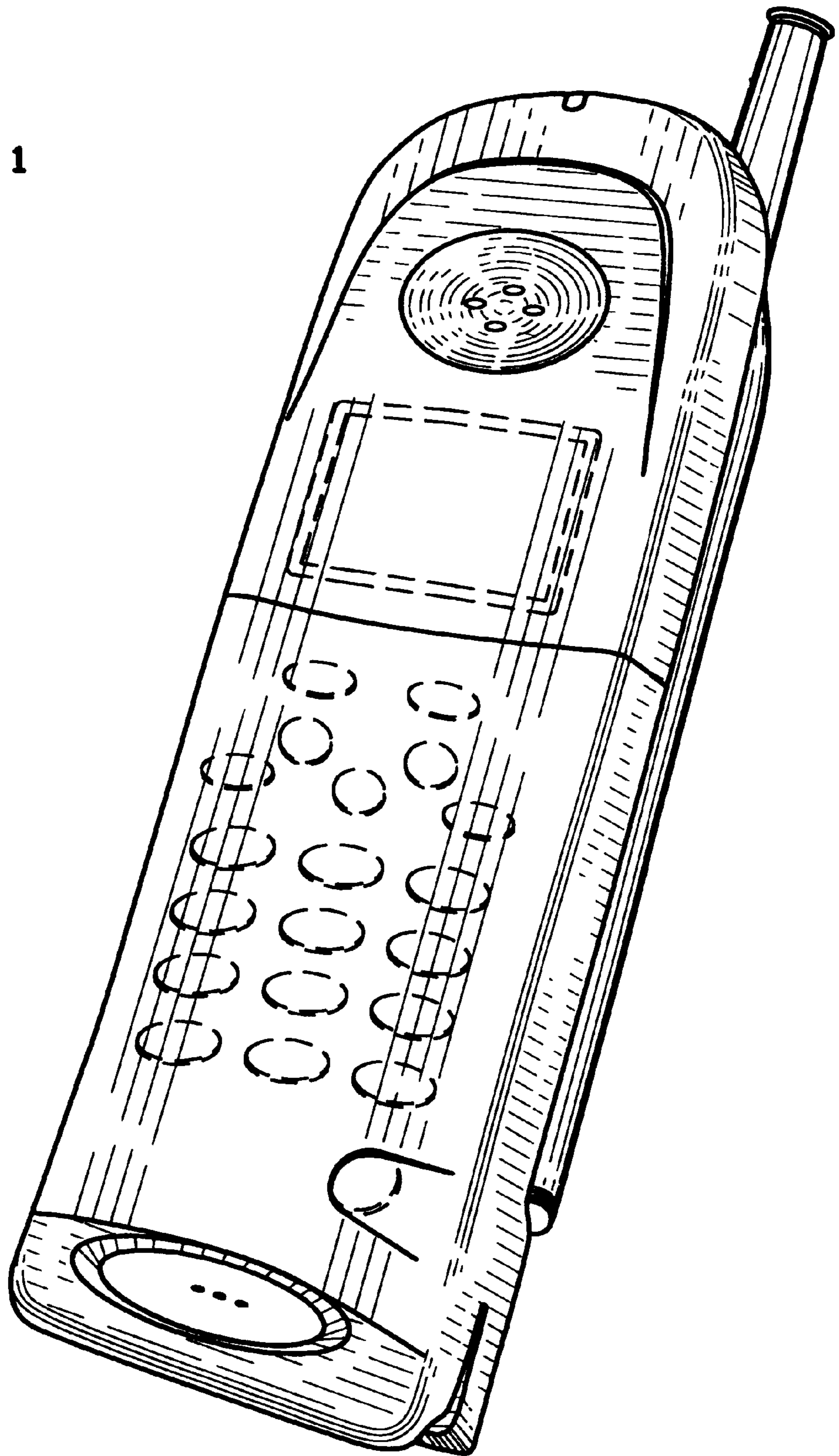


FIG. 1



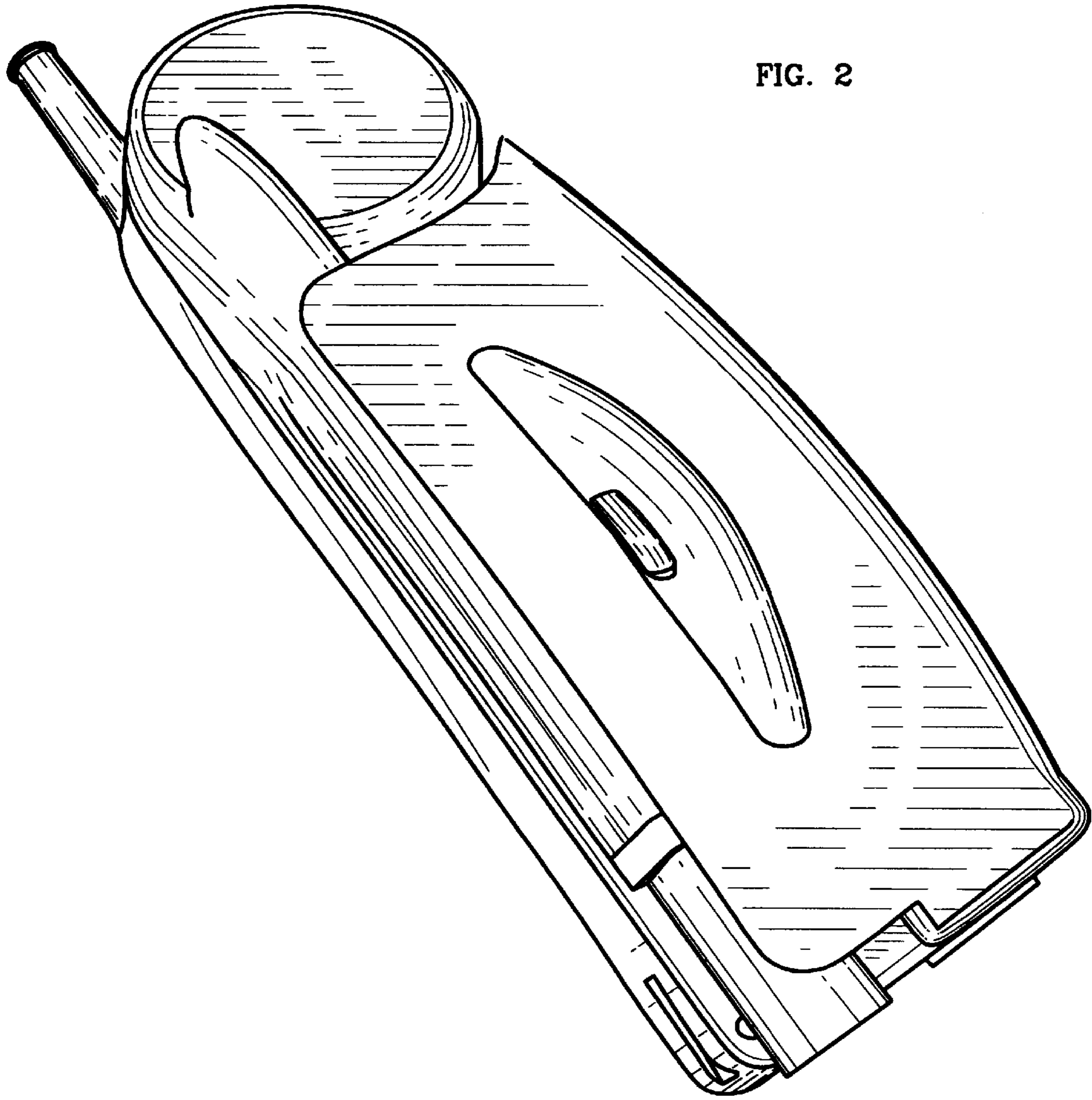


FIG. 2

FIG. 3

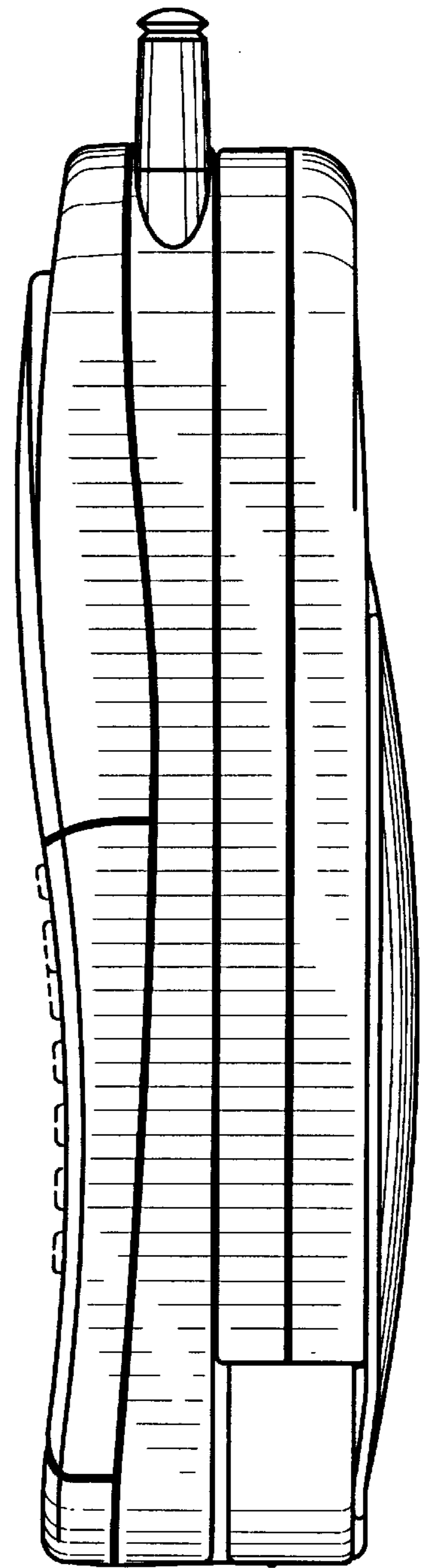
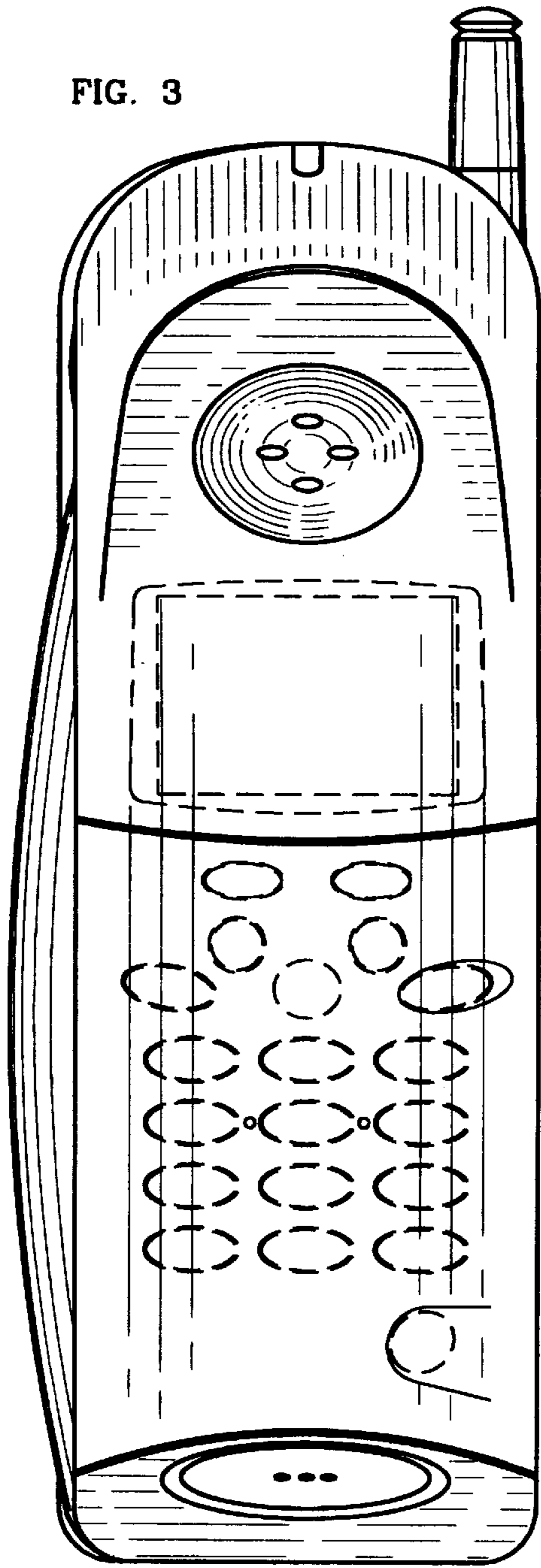


FIG. 4

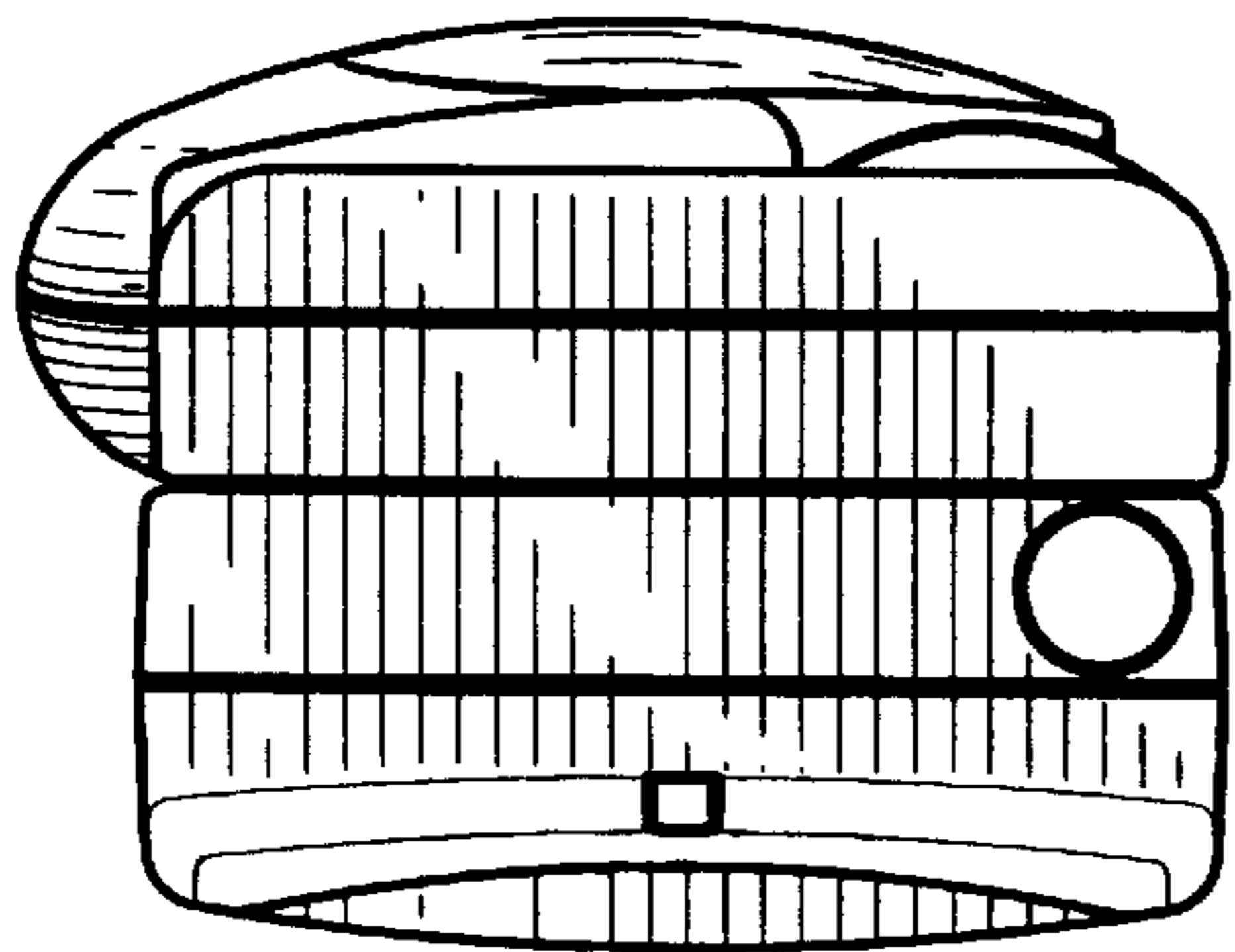


FIG. 5

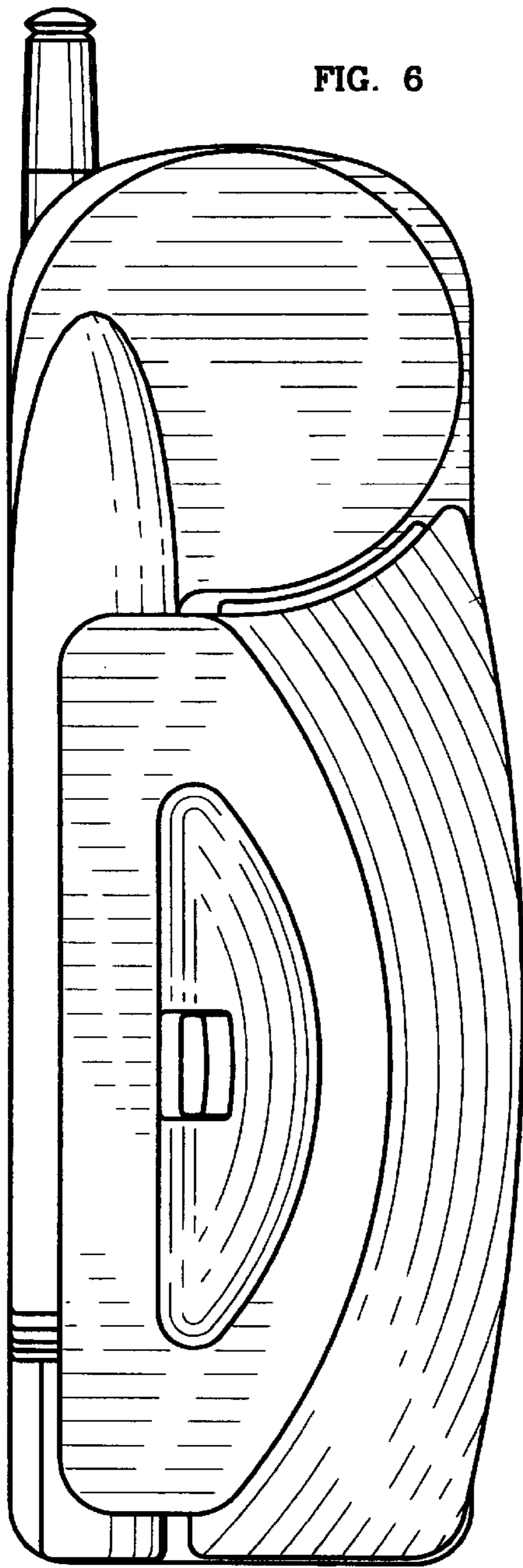


FIG. 6

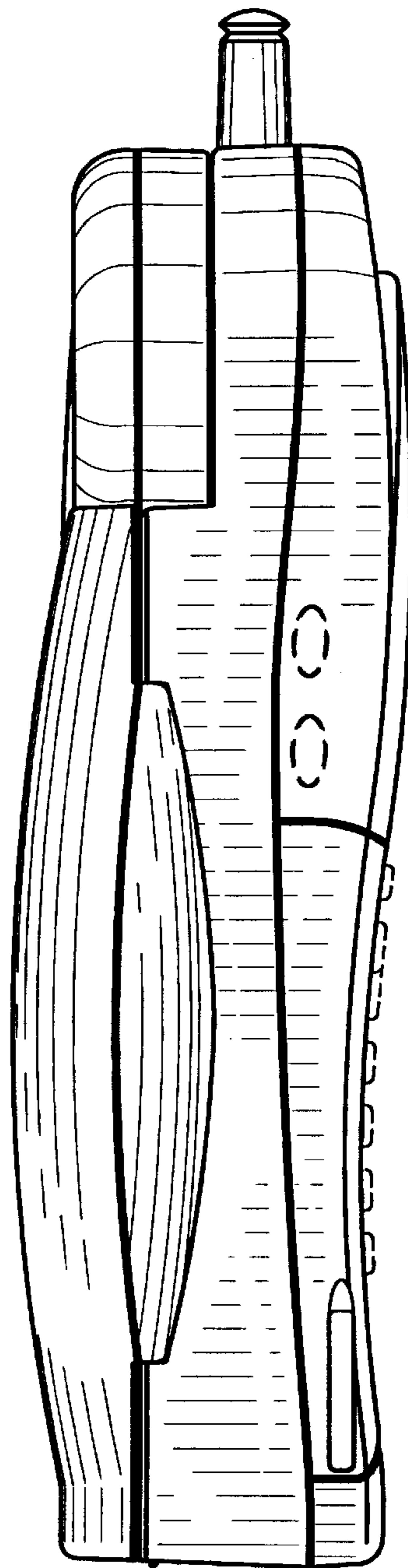


FIG. 7

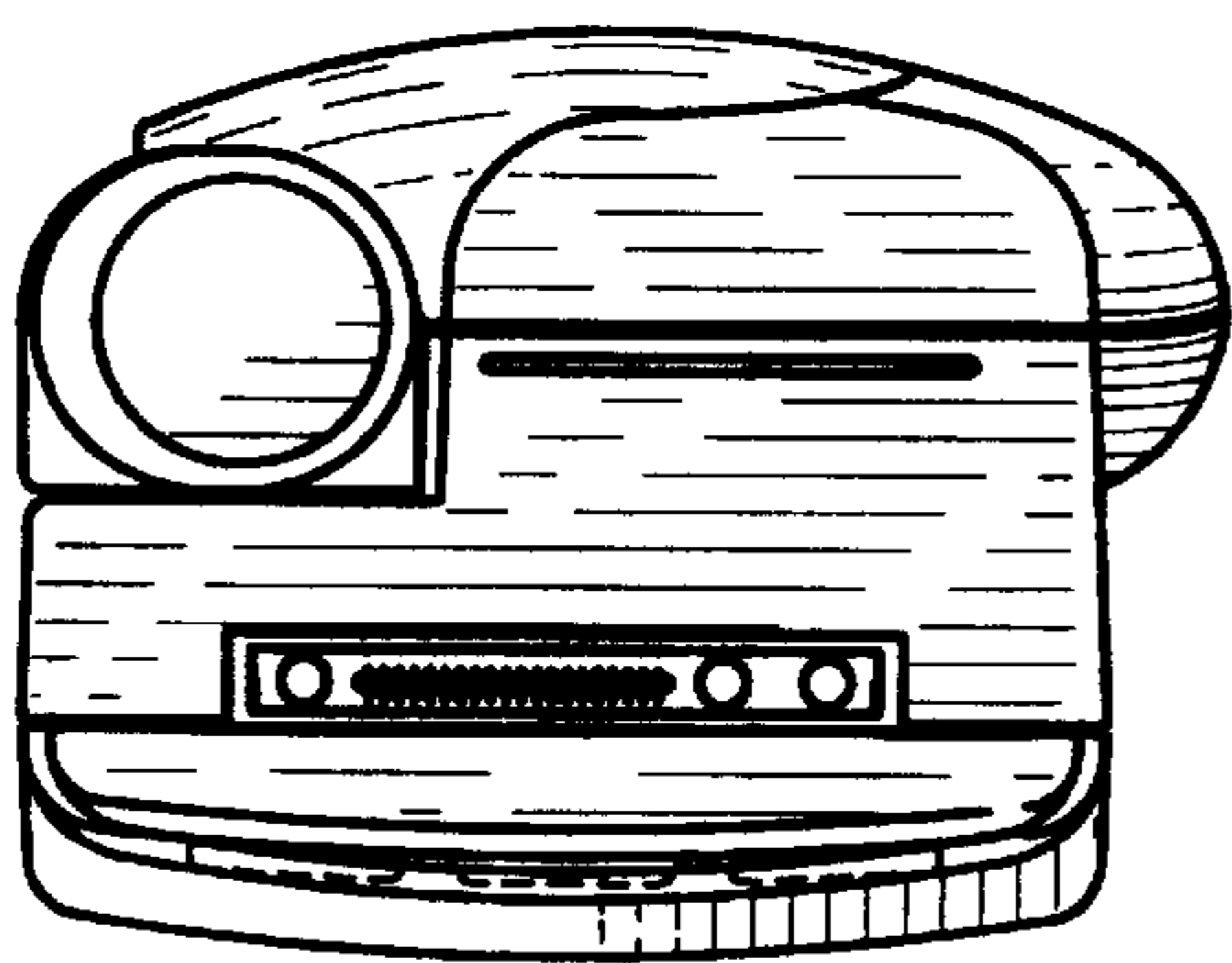


FIG. 8